

SANKEN ELECTRIC CO LTD

查询SLA6050供应商

SLA6050

55E D ■ 7990241, 0001246, 5T5 ■ SAKJ
捷多邦, 专业PCB打样工厂, 24小时加急出货

Silicon NPN Triple Diffused Planar Darlington

Silicon PNP Epitaxial Planar Darlington

Maximum Ratings

(Ta=25°C)

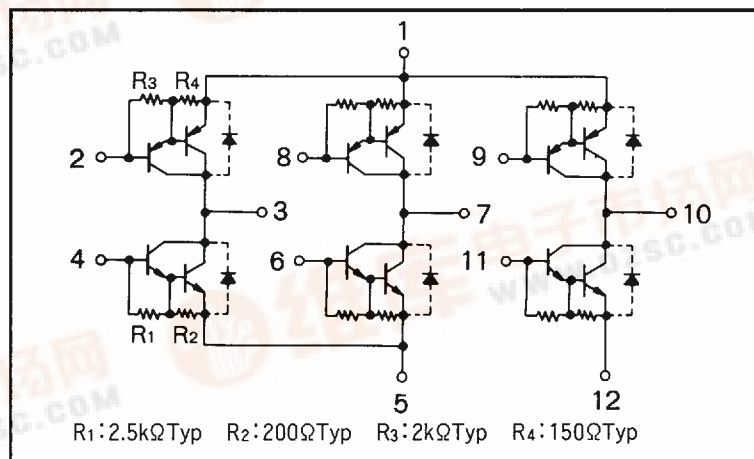
Item	Symbol	NPN	PNP	Unit
Collector-to-Base Voltage	V _{CBO}	100	-60	V
Collector-to-Emitter Voltage	V _{CEO}	100	-60	V
Emitter-to-Base Voltage	V _{EBO}	6	-6	V
Collector Current	I _C	5	-4	A
Base Current	I _B	0.5	-0.5	A
Total Power Dissipation	P _T	5 (Ta=25°C)		W
		25 (Tc=25°C)		
Storage Temperature	T _{stg}	-40~+150		°C

Electrical Characteristics

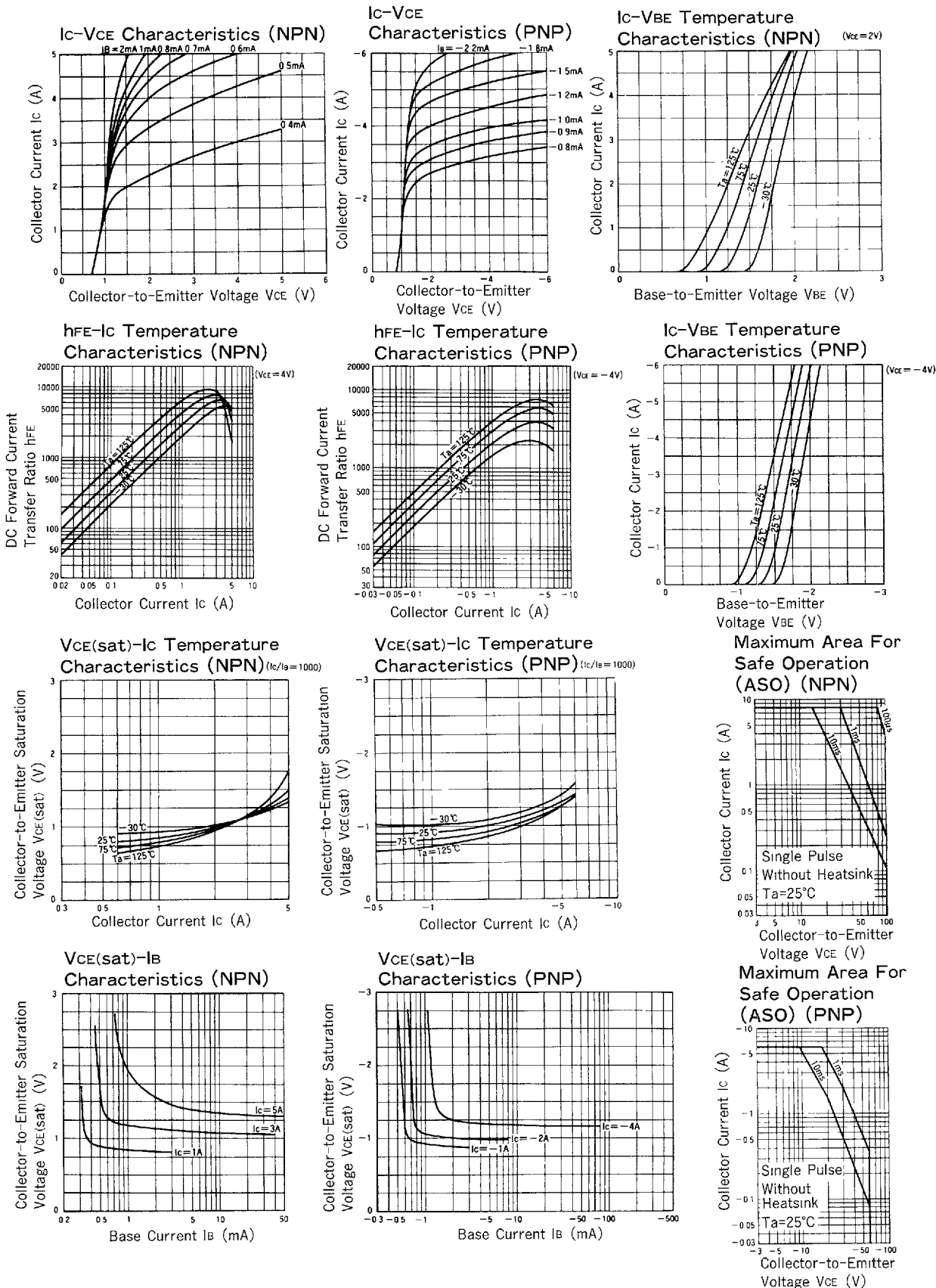
(Ta=25°C)

Item	Symbol	NPN	PNP
Collector Cut-off Current	I _{CBO}	10μAmax (V _{CB} =100V)	-10μAmax (V _{CB} =-60V)
Emitter Cut-off Current	I _{EBO}	10mAmax (V _{EB} =6V)	-10mAmax (V _{EB} =-6V)
Collector-to-Emitter Voltage	V _{CEO}	100Vmin (I _C =10mA)	-60Vmin (I _C =-10mA)
DC Forward Current Transfer Ratio	h _{FE}	2000min (V _{CE} =4V, I _C =3A)	2000min (V _{CE} =-4V, I _C =-3A)
Collector-to-Emitter Saturation Voltage	V _{CE(sat)}	1.5Vmax (I _C =3A, I _B =6mA)	-1.5Vmax (I _C =-3A, I _B =-6mA)

Equivalent Circuit Diagram



Characteristic Curves

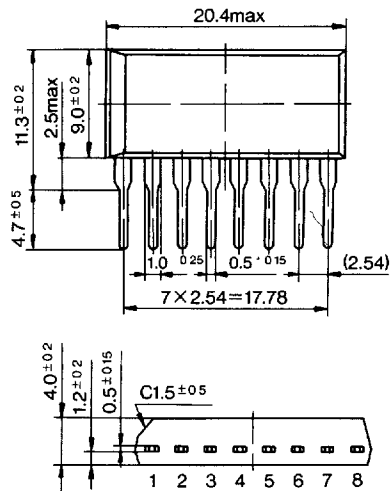


Notes on using products

Outline Drawings (Unit:in mm)

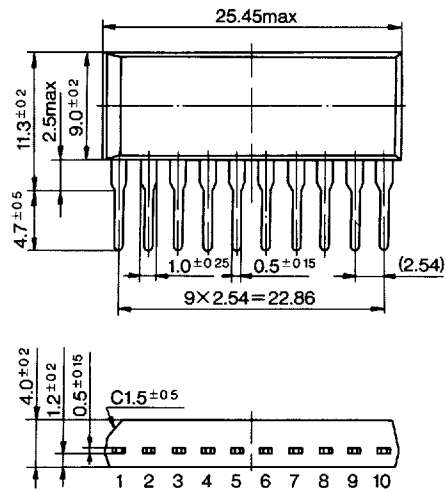
STA Family

STA300 Series



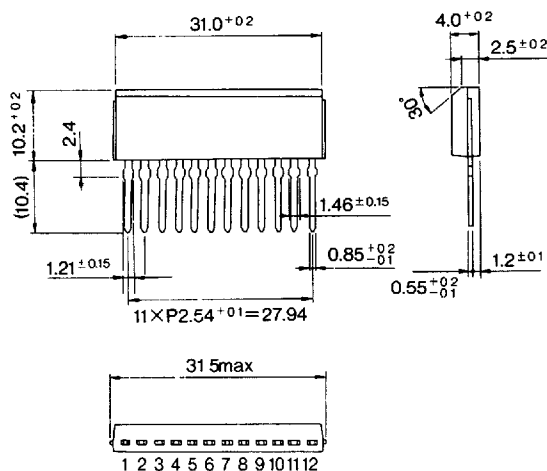
Weight Approx. 2.0g

STA400 Series



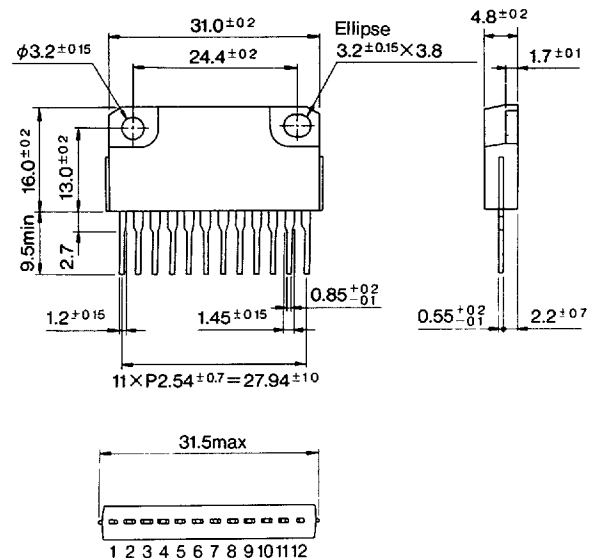
Weight Approx. 2.6g

SMA Family



Weight Approx. 4.0g

SLA Family



Weight Approx. 6.0g