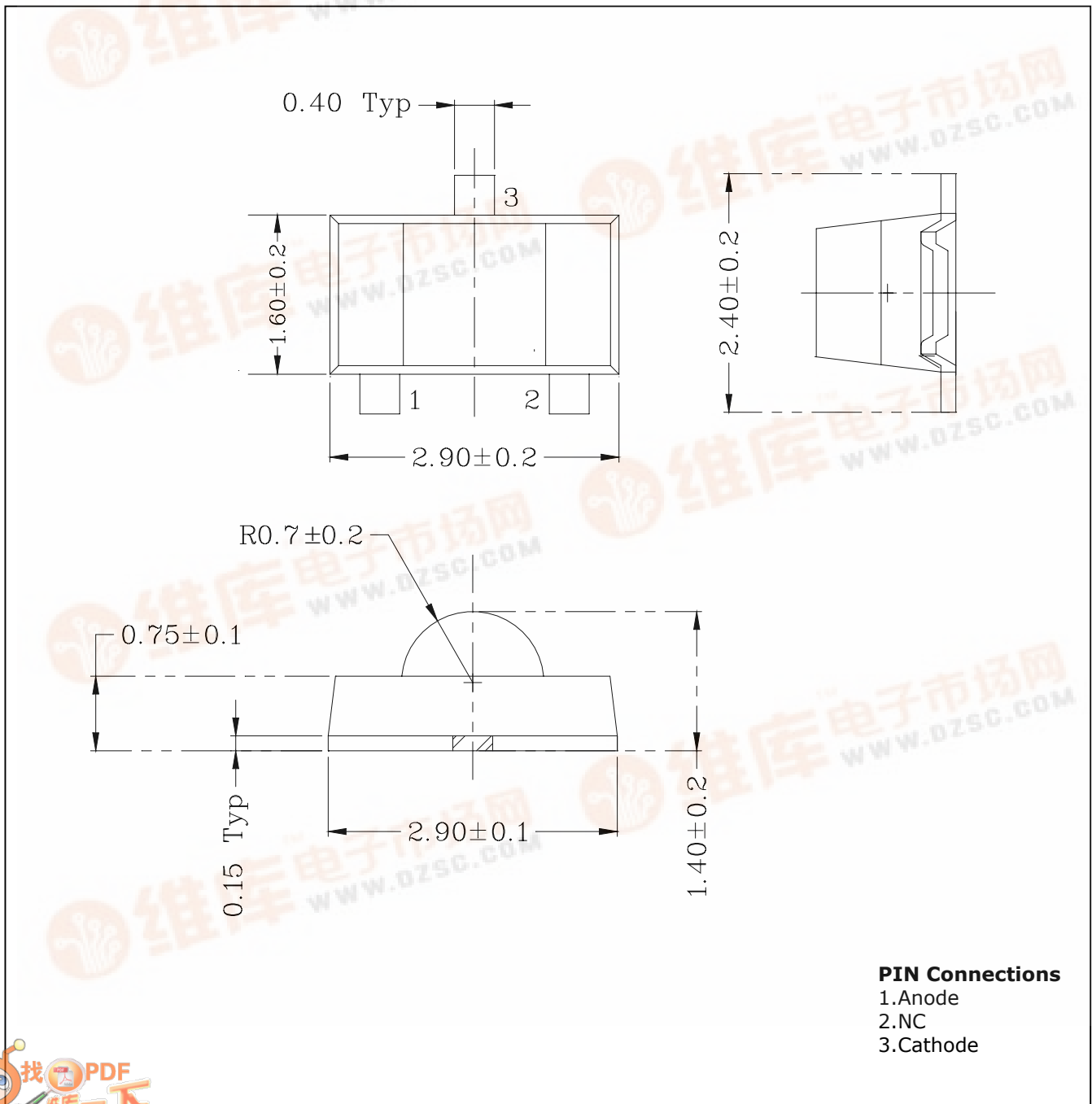


Features

- Colorless transparency lens type
- Compact type
- Radiation size 1.5mm × 2.9mm
- Surface mount lead configuration

Outline Dimensions

unit : mm



Absolute maximum ratings

| Characteristic | Symbol | Ratings | Unit |
|--------------------------------------|-----------|---------------------|------|
| Power Dissipation | P_D | 70 | mW |
| Forward Current | I_F | 25 | mA |
| * ¹ Peak Forward Current | I_{FP} | 50 | mA |
| Reverse Voltage | V_R | 4 | V |
| Operating Temperature | T_{opr} | -25 ~ 80 | °C |
| Storage Temperature | T_{stg} | -30 ~ 100 | °C |
| * ² Soldering Temperature | T_{sol} | 240°C for 5 seconds | |

*1. Duty ratio = 1/16, Pulse width = 0.1ms

*2. Recommended soldering condition ⇒ Attached

Electrical Characteristics

| Characteristic | Symbol | Test Condition | Min. | Typ. | Max. | Unit |
|---------------------------|------------------|---------------------|------|------|------|------|
| Forward Voltage | V_F | $I_F = 20\text{mA}$ | - | 2.1 | 2.8 | V |
| Luminous Intensity | I_V | $I_F = 20\text{mA}$ | - | 12 | - | mcd |
| Peak Wavelength | λ_P | $I_F = 20\text{mA}$ | - | 570 | - | nm |
| Spectrum Bandwidth | $\Delta \lambda$ | $I_F = 20\text{mA}$ | - | 30 | - | nm |
| Reverse Current | I_R | $V_R = 4\text{V}$ | - | - | 10 | uA |
| * ³ Half angle | $\theta_{1/2}$ | $I_F = 20\text{mA}$ | - | ±60 | - | deg |

*3. $\theta_{1/2}$ is the off-axis angle where the luminous intensity is 1/2 the peak intensity

Characteristic Diagrams

Fig. 1 $I_F - V_F$

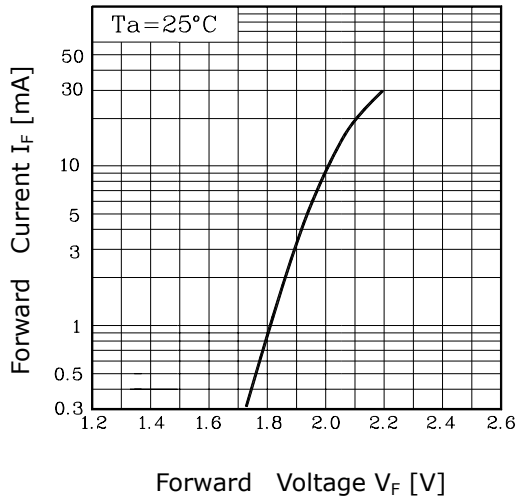


Fig. 2 $I_V - I_F$

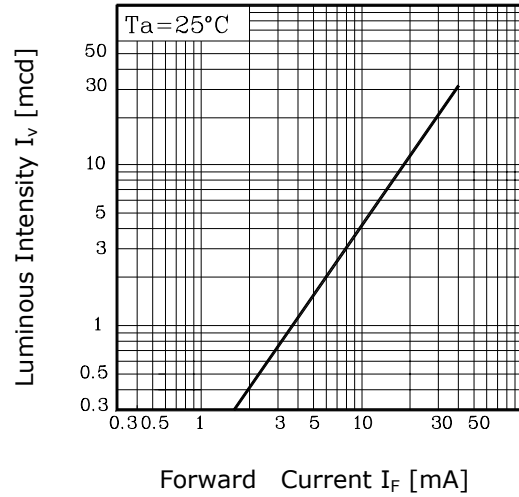


Fig. 3 $I_F - T_a$

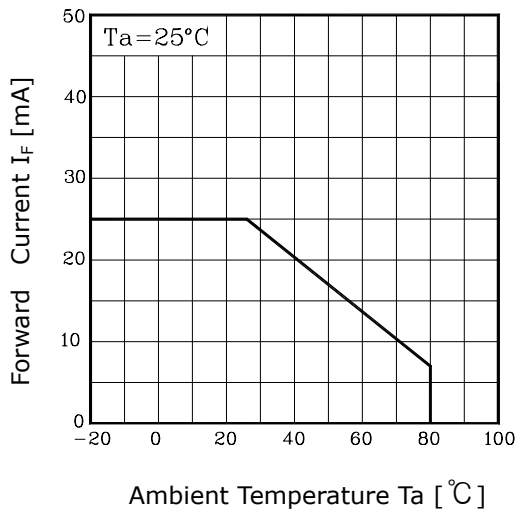


Fig.4 Spectrum Distribution

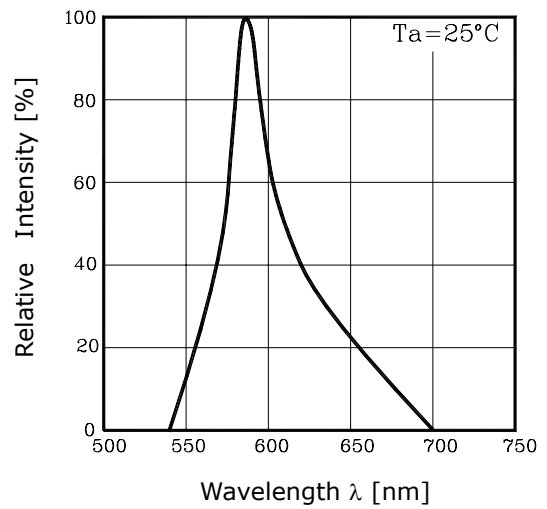
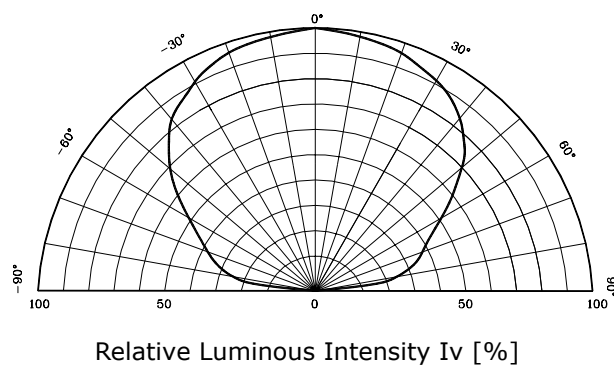


Fig. 5-1 Radiation Diagram



These AUK products are intended for usage in general electronic equipments(Office and communication equipment, measuring equipment, domestic electrification, etc.).

Please make sure that you consult with us before you use these AUK products in equipments which require high quality and/or reliability, and in equipments which could have major impact to the welfare of human life(atomic energy control, airplane, spaceship, traffic signal, combustion central, all types of safety device, etc.).

AUK cannot accept liability to any damage which may occur in case these AUK products were used in the mentioned equipments without prior consultation with AUK.