

SM3509

4-Bit Single-Chip Microcomputer (For Data Bank Use)

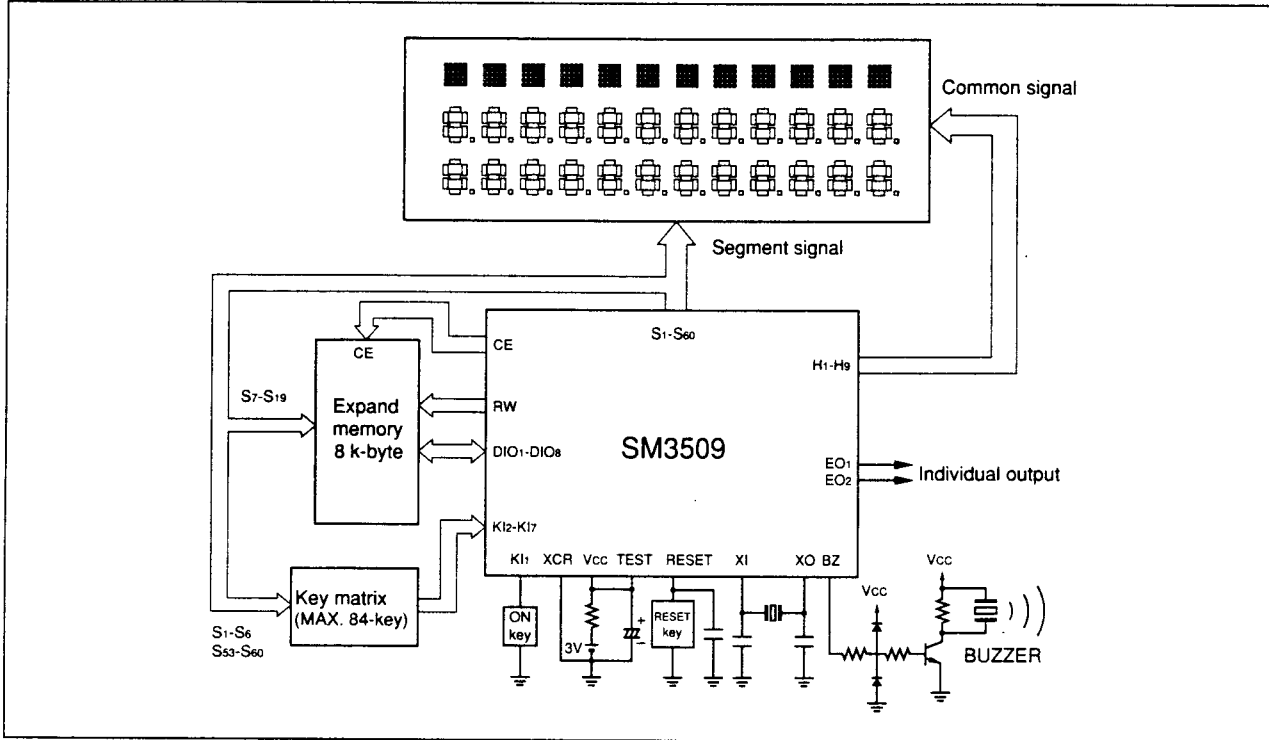
DESCRIPTION

The SM3509 is a CMOS 4-bit single-chip micro-computer for databank incorporating data memory RAM, LCD driver, key/switch input circuit, 8-bit parallel I/O port, 2 output ports, external memory control circuit, and buzzer output circuit.

FEATURES

- ROM capacity :
 - Program ROM 8 k x 23 bits
 - Character ROM 5 x 9 x 128 bits
- RAM capacity :
 - Working RAM 256 x 4 bits
 - Display RAM 60 x 9 bits
 - Data RAM 2 k x 8 bits
- Memory expansion (external) : 8 k x 8 bits
- LCD display : 60 segment x 9 common
- I/O ports :
 - Parallel I/O 8 bits
 - Output 2 bits
 - Buzzer output 1 bit (4 kHz)
 - Key input 7 bits
- Standby release : 2 events (2 Hz signal, key input)
- Built-in oscillator :
 - System clock (built-in CR oscillator) 250 kHz
 - Timer (built-in CR oscillator) 32.8 kHz
 - (external crystal) 32.768 kHz
- Instruction cycle time : 12 μ s
- Operating temperature : -10 to +60 $^{\circ}$ C
- Supply voltage : 2.5 to 3.4 V
- Packages :
 - 100-pin QFP (QFP100-P-1420)
 - Chip (98-pad)

SYSTEM CONFIGURATION EXAMPLE



Singlechip LH7xxxx '790 '789 '791 SMxxxx 'K series MCU Microcontroller MPU Microprocessor
ARM Advanced RISC Machines Databank LCD Controller LCD Driver Controllers Processors Portable
Low Power Low Voltage High Performance Power curve MIPS MIPS/Watt Execution Cycle Multiplier
High Speed Compact Handheld System on Chip System Integration Chip Integration Integration
Superchip Standard Cell Core Core based IC VHDL Verilog Synthesis Chip on Board COB Chip on Flex
COF Device on Board DOB Power Supply Controller Handy Products Development Tools Board Support
Software Tools Tools 2.10 Software Support Emulators Evaluation Boards ICE In-Circuit Emulators
ROM ICE SME Series Programmable User Configurable RTOS Real Time Operating Systems
Third Party Support Software Hardware Yokogawa Digital Cosmic Compiler C Language C Like
Assembler Linker Debugger Debug A/D D/A DAC Analog Digital 10-bit 4-bit 8-bit 16-bit 32-bit
Address bus Data Bus