



查询SMDA05-6TB供应商

# SEMTECH

捷多邦, 专业PCB打样工厂, 24小时加急出货

## SMDA05-6 Unidirectional TVS Array for Protection of Six Lines

### PROTECTION PRODUCTS

#### Description

The SMDA series of transient voltage suppressors are designed to protect components which are connected to data and transmission lines from voltage surges caused by ESD (electrostatic discharge), EFT (electrical fast transients), and lightning.

TVS diodes are characterized by their high surge capability, low operating and clamping voltages, and fast response time. This makes them ideal for use as board level protection of sensitive semiconductor components. The SMDA05-6 is designed to provide transient suppression on multiple data lines and I/O ports. It is designed to operate on 5V digital lines. The low profile SO-8 design allows the user to protect up to six data and I/O lines with one package.

The SMDA05-6 TVS diode array will meet the surge requirements of IEC 61000-4-2 (Formerly IEC 801-2), Level 4, "Human Body Model" for air and contact discharge.

#### Features

- ◆ 300 watts peak pulse power ( $t_p = 8/20\mu s$ )
- ◆ Transient protection for data lines to **IEC 61000-4-2 (ESD) 15kV (air), 8kV (contact)**  
**IEC 61000-4-4 (EFT) 40A (5/50ns)**  
**IEC 61000-4-5 (Lightning) 12A (8/20 $\mu s$ )**
- ◆ Protects up to 6 unidirectional lines
- ◆ Low operating voltage
- ◆ Low clamping voltage
- ◆ Solid-state silicon avalanche technology

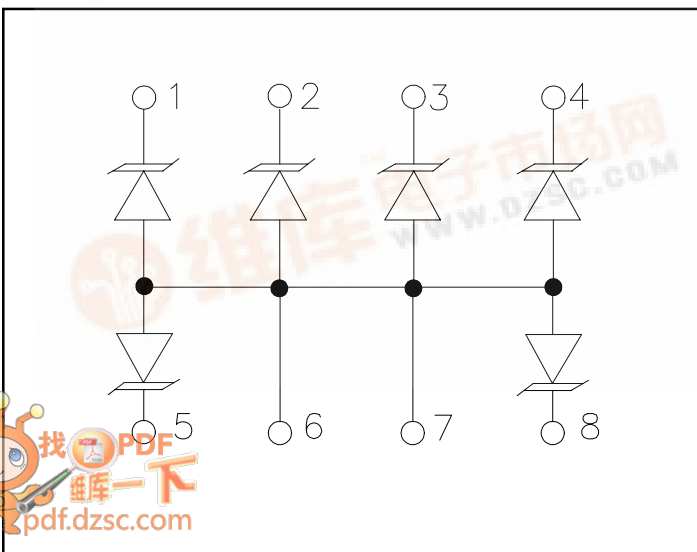
#### Mechanical Characteristics

- ◆ JEDEC SO-8 package
- ◆ UL 497B listed
- ◆ Molding compound flammability rating: UL 94V-0
- ◆ Marking : Part number, date code, logo
- ◆ Packaging : Tube or Tape and Reel per EIA 481

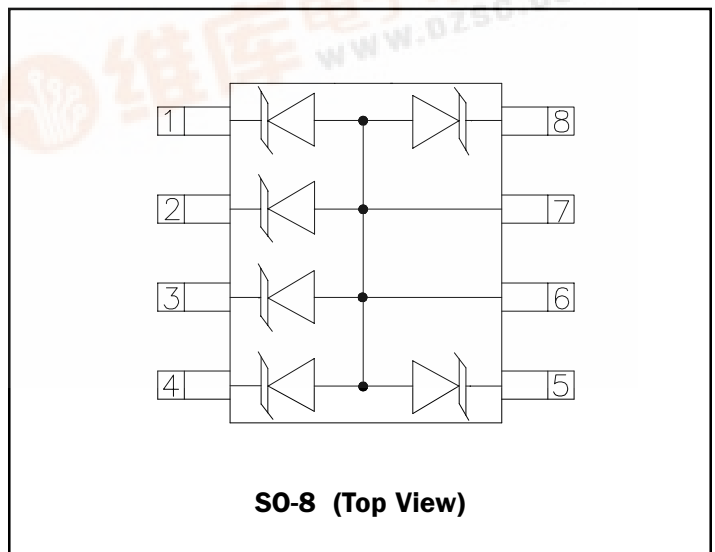
#### Applications

- ◆ 5V data & I/O lines
- ◆ Communication lines
- ◆ Microprocessor based equipment
- ◆ LAN/WAN equipment
- ◆ Servers
- ◆ Notebook & Desktop PC
- ◆ Instrumentation
- ◆ Peripherals

#### Circuit Diagram



#### Schematic & PIN Configuration



SO-8 (Top View)



**PROTECTION PRODUCTS**
**Absolute Maximum Rating**

Rating	Symbol	Value	Units
Peak Pulse Power (tp = 8/20μs)	$P_{pk}$	300	Watts
Peak Pulse Current (tp = 8/20μs)	$I_{pp}$	17	A
Lead Soldering Temperature	$T_L$	260 (10 sec.)	°C
Operating Temperature	$T_J$	-55 to +125	°C
Storage Temperature	$T_{STG}$	-55 to +150	°C

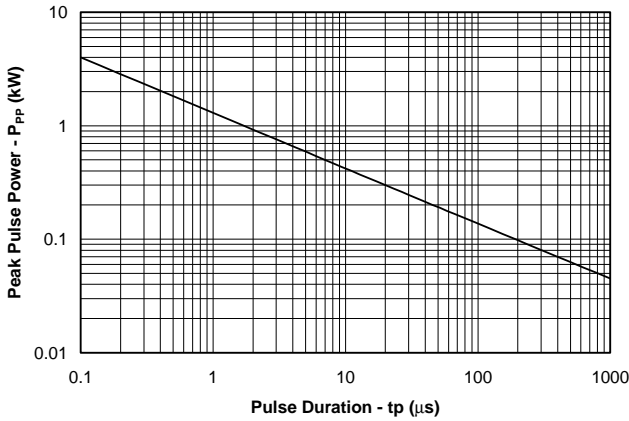
**Electrical Characteristics**

<b>SMDA05-6</b>						
Parameter	Symbol	Conditions	Minimum	Typical	Maximum	Units
Reverse Stand-Off Voltage	$V_{RWM}$				5	V
Reverse Breakdown Voltage	$V_{BR}$	$I_t = 1mA$	6			V
Reverse Leakage Current	$I_R$	$V_{RWM} = 5V, T=25^{\circ}C$			20	μA
Clamping Voltage	$V_C$	$I_{pp} = 1A, tp = 8/20\mu s$			9.8	V
Clamping Voltage	$V_C$	$I_{pp} = 5A, tp = 8/20\mu s$			11	V
Maximum Peak Pulse Current	$I_{pp}$	tp = 8/20μs			17	A
Junction Capacitance	$C_j$	Between I/O pins and Gnd $V_R = 0V, f = 1MHz$			400	pF

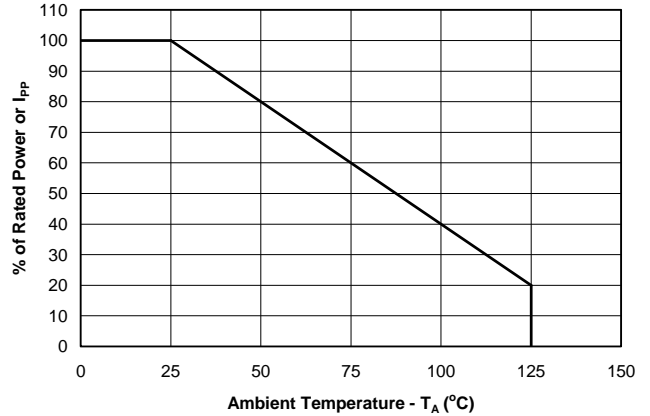
PROTECTION PRODUCTS

Typical Characteristics

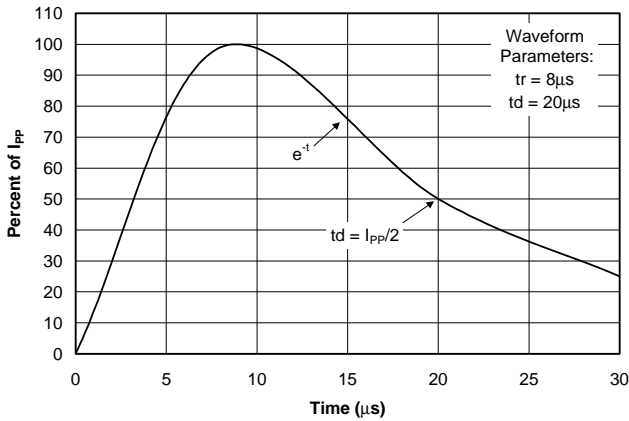
Non-Repetitive Peak Pulse Power vs. Pulse Time



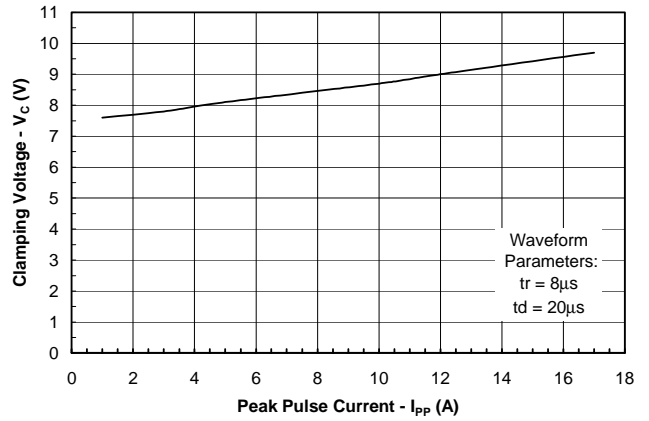
Power Derating Curve



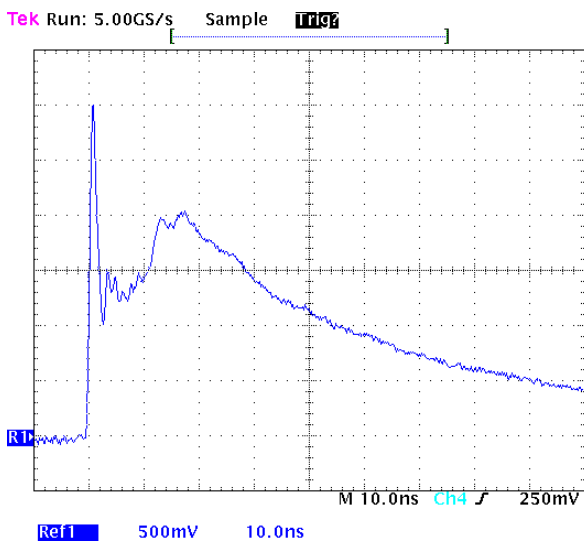
Pulse Waveform



Clamping Voltage vs. Peak Pulse Current



ESD Pulse Waveform (IEC 61000-4-2)



IEC 61000-4-2 Discharge Parameters

Level	First Peak Current (A)	Peak Current at 30 ns (A)	Peak Current at 60 ns (A)	Test Voltage (Contact Discharge) (kV)	Test Voltage (Air Discharge) (kV)
1	7.5	4	8	2	2
2	15	8	4	4	4
3	22.5	12	6	6	8
4	30	16	8	8	15

**PROTECTION PRODUCTS**

**Applications Information**

**Device Connection for Protection of Six Data Lines**

The SMDA05-6 is designed to protect up to 6 data or I/O lines operating at 5 volts. They are unidirectional devices and may be used on lines where the signal polarities are above ground (i.e. 0 to 5V).

The device is connected as follows:

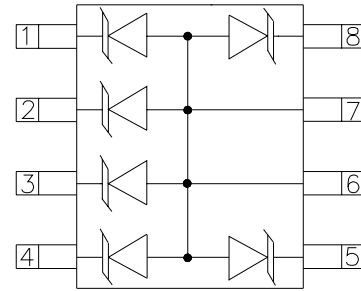
- Pins 1, 2, 3, 4, 5 and 8 are connected to the lines that are to be protected. Pins 6 and 7 are connected to ground. The ground connections should be made directly to the ground plane for best results. The path length is kept as short as possible to reduce the effects of parasitic inductance in the board traces.

**Circuit Board Layout Recommendations for Suppression of ESD.**

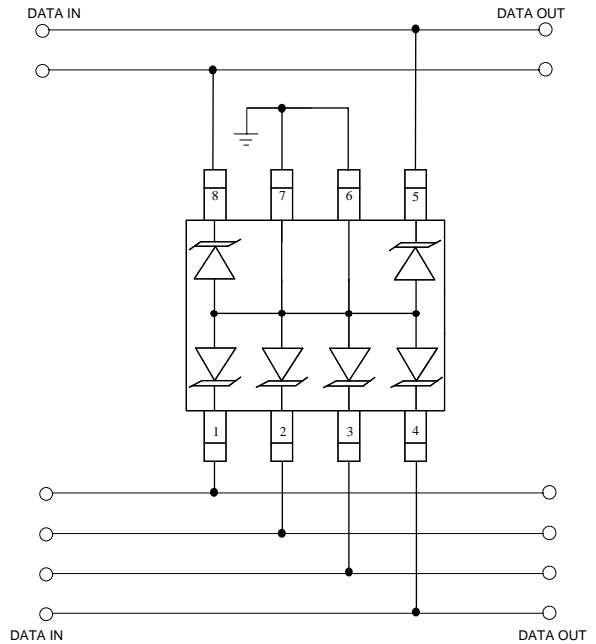
Good circuit board layout is critical for the suppression of ESD induced transients. The following guidelines are recommended:

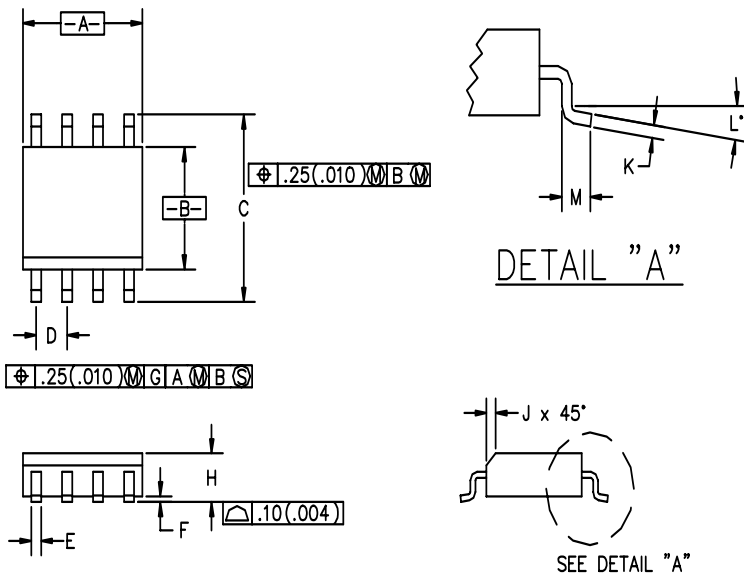
- Place the TVS near the input terminals or connectors to restrict transient coupling.
- Minimize the path length between the TVS and the protected line.
- Minimize all conductive loops including power and ground loops.
- The ESD transient return path to ground should be kept as short as possible.
- Never run critical signals near board edges.
- Use ground planes whenever possible.

**Circuit Diagram**

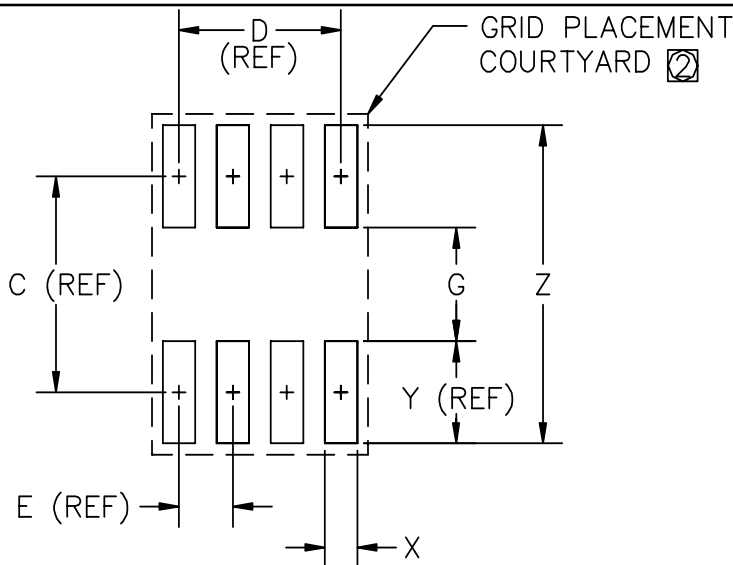


**Connection Diagram**



**PROTECTION PRODUCTS**
**Outline Drawing - SO-8**


DIM <sup>N</sup>	INCHES		MM		NOTE
	MIN	MAX	MIN	MAX	
A	.188	.197	4.80	5.00	
B	.149	.158	3.80	4.00	
C	.228	.244	5.80	6.20	
D	.050 BSC		1.27 BSC		
E	.013	.020	0.33	0.51	
F	.004	.010	0.10	0.25	
H	.053	.069	1.35	1.75	
J	.011	.019	0.28	0.48	
K	.007	.010	.19	.25	
L	0°	8°	0°	8°	
M	.016	.050	0.40	1.27	

**Land Pattern - SO-8**


DIM <sup>N</sup>	INCHES		MM		NOTE
	MIN	MAX	MIN	MAX	
C	—	.19	—	5.00	—
D	—	.15	—	3.81	—
E	—	.05	—	1.27	—
G	.10	.11	2.60	2.80	—
X	.02	.03	.60	.80	—
Y	—	.09	—	2.40	—
Z	—	.29	7.20	7.40	—

② GRID PLACEMENT COURTYARD IS 12x16 ELEMENTS (6 mm X 8mm) IN ACCORDANCE WITH THE INTERNATIONAL GRID DETAILED IN IEC PUBLICATION 97.

① CONTROLLING DIMENSION: MILLIMETERS



SMDA05-6

**PROTECTION PRODUCTS**

**Ordering Information**

<b>Part Number</b>	<b>Working Voltage</b>	<b>Qty per Reel</b>	<b>Reel Size</b>
SMDA05-6.TB	5V	500	7 Inch
SMDA05-6.TE	5V	2,500	13 Inch

Note:

(1) No suffix indicates tube pack.

**Contact Information**

Semtech Corporation  
Protection Products Division  
652 Mitchell Rd., Newbury Park, CA 91320  
Phone: (805)498-2111 FAX (805)498-3804