

Silicon Protection Circuits

TVS Avalanche Diode Array in a Bipolar Chip Scale Package

SP0504BBC, SP0508BBC, SP0516BBC

NEW

This family of avalanche diode arrays are designed for ESD protection and offered in an ultra small chip scale package. The multi-channel devices are used to help protect sensitive digital or analog input circuits on data, signal, or control lines with Bipolar voltage levels up to 5VDC. The array is ideal for protection when AC signals are present.

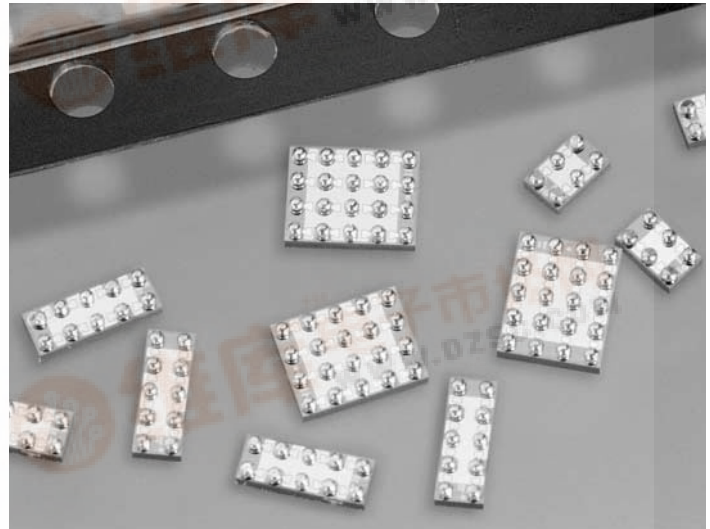
The state-of-the-art structure is designed to suppress ESD and other transient over-voltage events to meet the International Electrotechnical Comptability (EMC transient immunity stantards IEC 61000-4-2 for Electrostatic Discharge Requirements).

The monolithic silicon devices are comprised of specially designed structures for transient voltage suppression (TVS). The size and shape of these structures has been tailored for transient protection. The low capacitance and clamp voltage are ideal for high speed signal line protection.

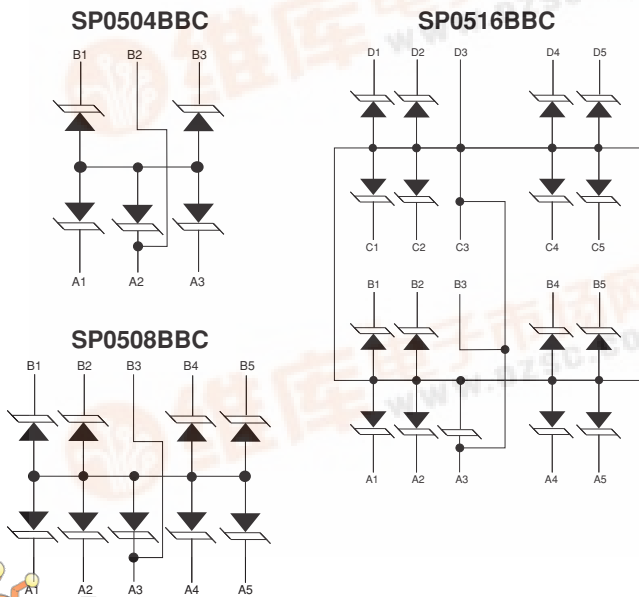
Ordering Information

NOTE: Bump pitch is 0.65mm

Part Number	Diode Channels	Bumps	CS Package Size (mm)	Quantity Per Reel
SP0504BBCT	4	6	1.804 x 1.154	3500
SP0508BBCT	8	10	3.104 x 1.154	3500
SP0516BBCT	16	20	3.104 x 2.454	3500



Schematic



Features

- An Array of 4, 8 and 16 Avalanche Diodes in a ultra small Chip Scale Package (0.65mm bump pitch)
- ESD Capability per HBM Standards
 - IEC 61000-4-2, Direct Discharge18kV (Level 4)
 - IEC 61000-4-2, Air Discharge30kV (Level 4)
 - MIL STD 883D (Method 3015.7)30kV
- Bipolar signal line protection for applications up to 5V
- Fast response time< 1ns
- Low input capacitance39pF Typical
- Low clamp voltage12V Typical
- Low input leakage10uA Max
- Operating temperature range- 40°C to 85°C

Applications

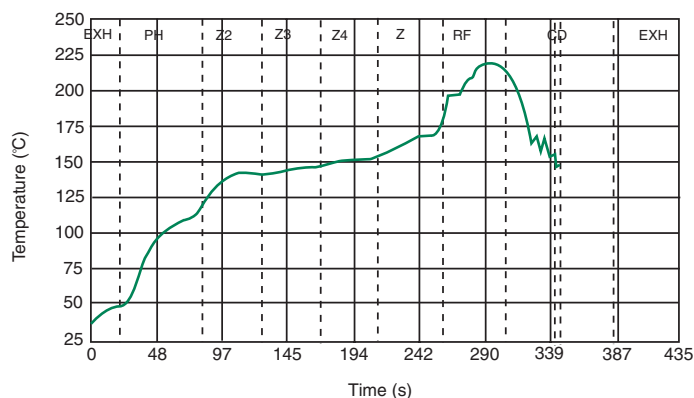
- Cell phone handsets
- Personal Digital Assistants (PDA)
- Portable handheld equipment (Laptop, Palmtop computers)
- Computer port, keyboard (USB1.1)
- Set-Top Box (Audio and Video ports)
- PCMCIA cards

SP0504BBC, SP0508BBC, SP0516BBC

Electrical Specifications $T_A = 25^\circ\text{C}$ Unless Otherwise Specified

PARAMETER	TEST CONDITIONS	MIN	TYPICAL	MAX	UNITS
Reverse Standoff Voltage	$I = 10\mu\text{A}$	± 5.9	-	-	V
Reverse Standoff Leakage Current	$V = \text{tbd V}$			10	μA
Signal Clamp Voltage					
Positive	$I = 10\text{mA}$	6.0	7.6	9.2	V
Negative	$I = 10\text{mA}$	- 9.2	- 7.6	- 6.0	V
Clamp Voltage during ESD					
MIL-STD-883D Method 3015	8 kV Positive		14		V
	8 kV Negative		-14		V
ESD Test Level					
IEC-61000-4-2, Contact discharge		18			kV
MIL-STD-883D Method 3015 (HBM)		30			kV
Capacitance	2.5VDC @ 1Mhz		39		pF
Turn on/off Time			<1		ns
Temperature Range					
Operating		- 40		85	$^\circ\text{C}$
Storage		- 65		150	$^\circ\text{C}$

Typical Solder Reflow Thermal Profile (No Clean Flux)



PRINTED CIRCUIT BOARD RECOMMENDATIONS

Pad Size on PCB	0.300mm
Pad Shape	Round
Pad Definition	Non-Solder Mask Defined Pads (NSMD)
Solder Mask Opening	0.350mm
Solder Stencil Thickness	0.152mm
Solder Stencil Aperture Opening	0.360mm (sq)
Solder Flux Ratio	50/50
Solder Paste	No Clean
Board Trace Finish	OSP (Entek Cu Plus 106A)

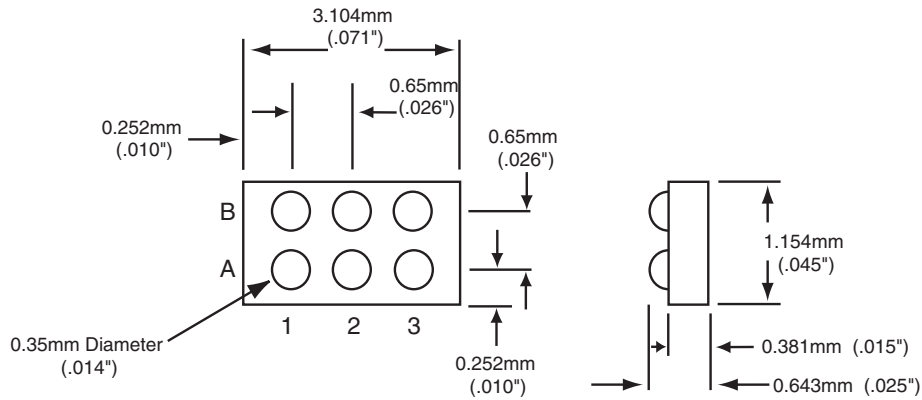
Silicon Protection Circuits

TVS Avalanche Diode Array in a Bipolar Chip Scale Package

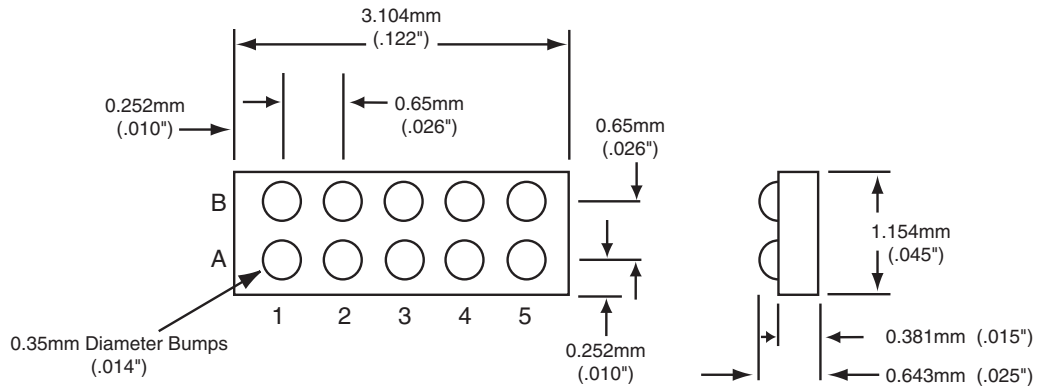
SP0504BBC, SP0508BBC, SP0516BBC

Outline Drawings

SP0504BBC



SP0508BBC



SP0516BBC

