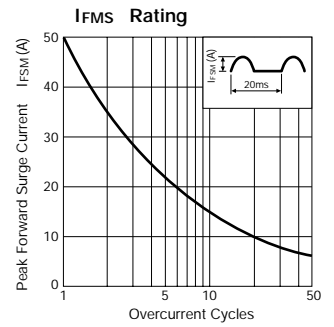


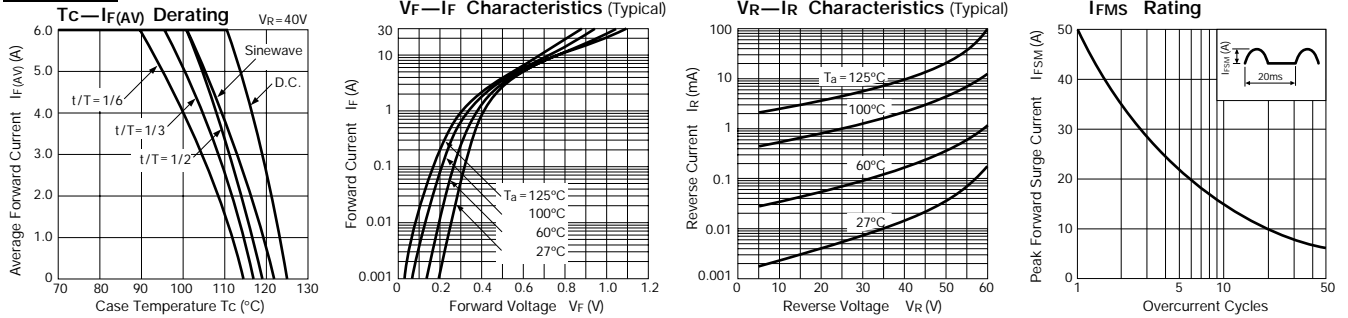
# Schottky Barrier Diodes (Power Surface Mount) 30V, 40V, 60V

Parameter Type No.	Absolute Maximum Ratings					Electrical Characteristics (Ta=25°C)						Others			
	V <sub>RM</sub> (V)	I <sub>F(AV)</sub> (A)	I <sub>FSM</sub> (A)	T <sub>J</sub> (°C)	T <sub>stg</sub> (°C)	V <sub>F</sub> (V)		I <sub>R</sub> (mA)	I <sub>R(H)</sub> (mA)	t <sub>rr</sub> (ns)	R <sub>th(j-c)</sub> (°C/W)	Mass (g)	Remarks	Fig.	
						max per element	I <sub>F</sub> (A)	V <sub>R</sub> = V <sub>RM</sub> max per element	V <sub>R</sub> = V <sub>RM</sub> , Ta=100°C max per element						
SPJ-63S	30	6.0	50	-40 to +150		0.45	3.0	3.0	30 (T <sub>J</sub> = 125°C)	—	—	5.0	0.29	Center-tap	Ⓐ
SPB-64S		6.0				3.5									
SPB-G34S		3.0				5.0									
SPB-G54S		5.0				5.0									
MPE-24H		15.0				6.0		0.6							
SPB-G56S	60	6.0	60			0.7	5.0	3.0	50	100/100	5.0	0.29	1 Chip	Ⓐ	

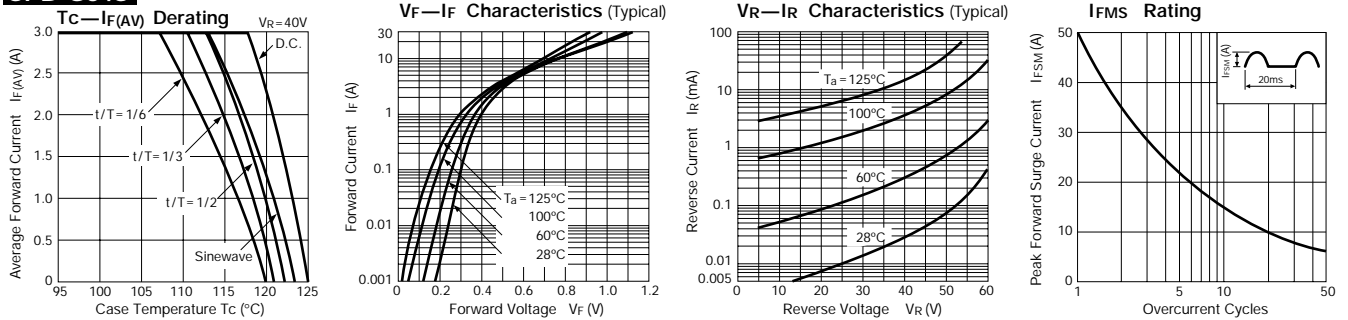
## SPJ-63S



## SPB-64S

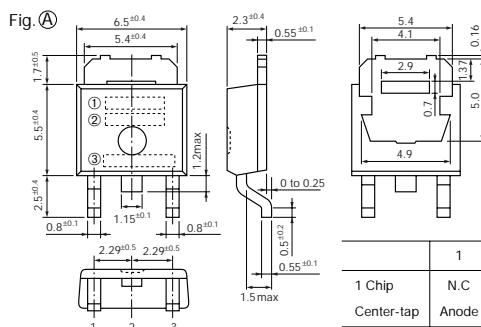


## SPB-G34S



## External Dimensions (Unit: mm)

Flammability:  
UL94V-0 or Equivalent



- ① Type No.
- ② Polarity
- ③ Lot No.

	1	2 (Common to backside of case)	3
1 Chip	N.C	Cathode	Anode
Center-tap	Anode	Cathode (Common)	Anode

Copyright © Each Manufacturing Company.

All Datasheets cannot be modified without permission.

This datasheet has been download from :

[www.AllDataSheet.com](http://www.AllDataSheet.com)

100% Free DataSheet Search Site.

Free Download.

No Register.

Fast Search System.

[www.AllDataSheet.com](http://www.AllDataSheet.com)