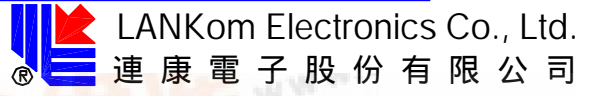


10/100BASE-T

Quad Ports Magnetics Module



- IC Grade Transfer-Molded Package withstand 235°C IR Reflow

Electrical Specifications: @25

Turn Ratio: PRI/SEC TX 1CT:1CT ±3% RX 1:1 ±3%

Isolation Voltage: 1500Vrms (Input to Output)

OCL: 350uH Minimum @100KHz,100mV 8mADC

Leakage Inductance: 0.4uH Maximum @100KHz 100mV PRI Shorted

PRI/SEC Cw/w: 20pF Typical @100KHz 100mV

Rise Time: 2.5ns Typical

Insertion Loss: -1.0dB Maximum @100KHz - 100MHz

Return Loss: -18dB Min @1MHz-30MHz

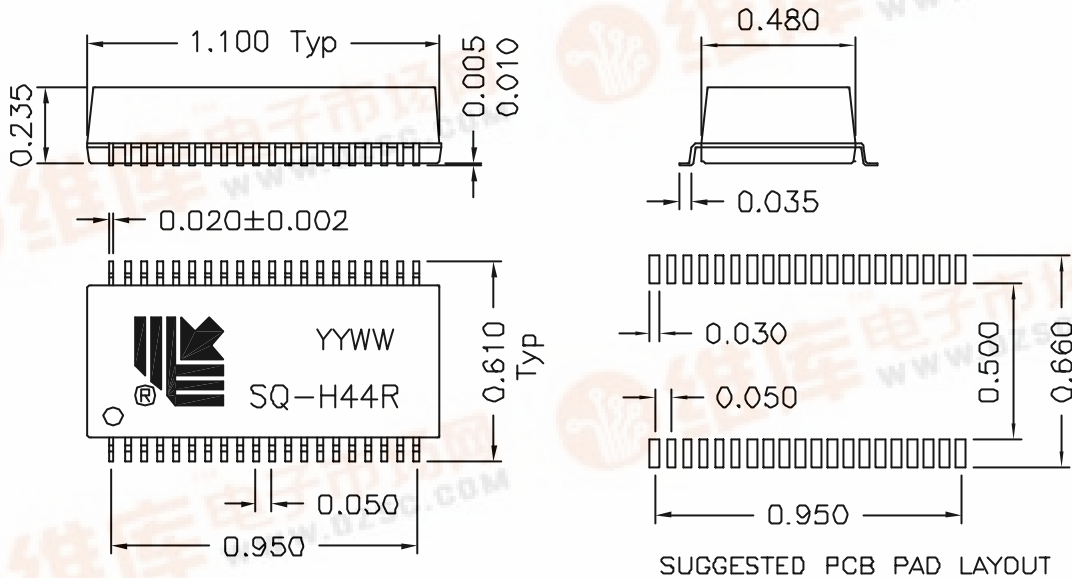
-14dB Min @40MHz-50MHz

-10dB Min @60MHz - 80MHz

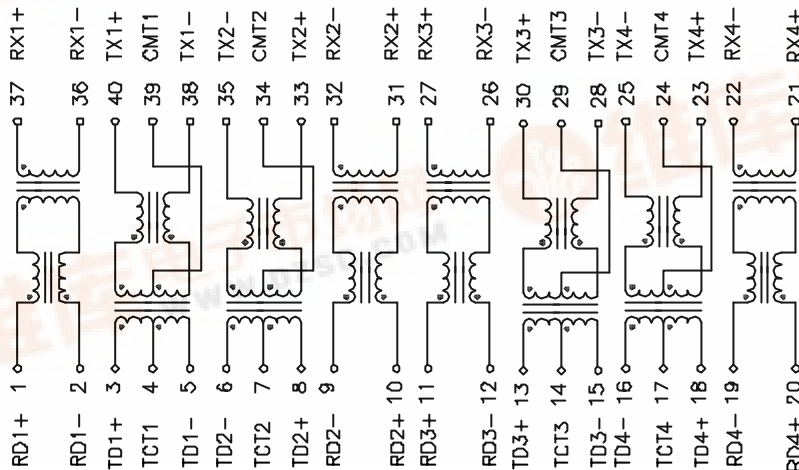
CROSS TALK: -35dB Minimum @100KHz-100MHz

CMRR: -40dB Typical @100KHz - 100MHz

Mechanicals:



Schematics:



Specification subject to change without notice



DIMENSIONS IN INCH	Unless otherwise specified	REV: C1	DRWN:	DATE: 03-09-27
SCALE: NONE	Dim. Tolerances are: .xxx ±0.010	PAGE: 1/1	APPD:	DATE: