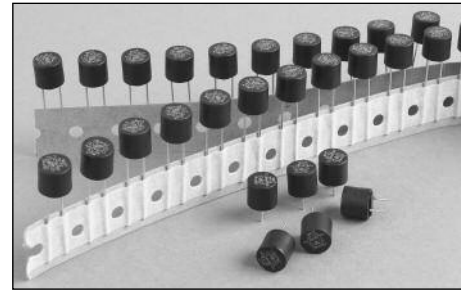
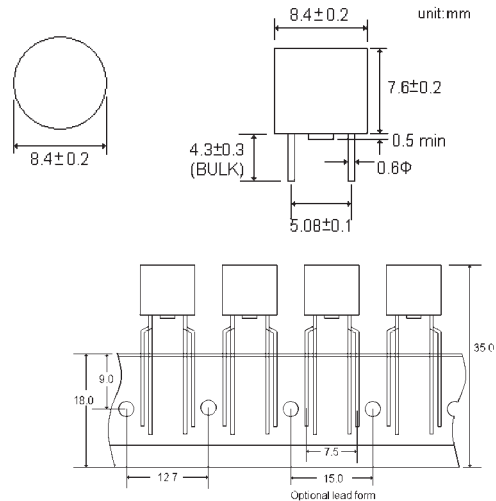


Description

- Radial Leaded Time Lag Thru-Hole Fuse
- Designed to IEC 60127-3, Sheet 4
- Internationally accepted for primary and secondary overcurrent protection
- Place directly into PCB or plug into BK/PCS holder
- High inrush withstand capability
- Compatible with leaded and lead-free reflow and wave solder
- Base/Cap is Nylon #66, UL 94V0
- Pins are Tin Plated Copper



Dimensions mm/(inches)



ELECTRICAL CHARACTERISTICS										
Rated Current	1.5 In		2.1 In		2.75 In		4 In		10 In	
	min	max	min	max	min	max	min	max	min	max
400mA-6.3A	1 hr	2 min	400 ms	10 sec	150 ms	3 sec	20 ms	150 ms		

Agency Information

- UL Recognition: E146895 (400mA thru 5A)
- CSA: LR98127 (400mA thru 5A)
- VDE: 122052 (500mA thru 4A)
- SEMKO: 0035176 (500mA thru 4A)
- CCC 2003010207072514 (500mA thru 4A)
- METI: 32-1966 (1A thru 5A)
- EK: KTL SA05004 (500mA thru 4A)
- Remaining 5-6.3A Approvals Pending

Specifications

- Solderability: EIA-186-9E Method 9
- High Frequency Vibration: MIL-STD-202F, Method 201A
- Operating Temperature: -40°C to +85°C
- Soldering Heat Resistance: 260°C, 10S (IEC 60068-2-20)

Ordering

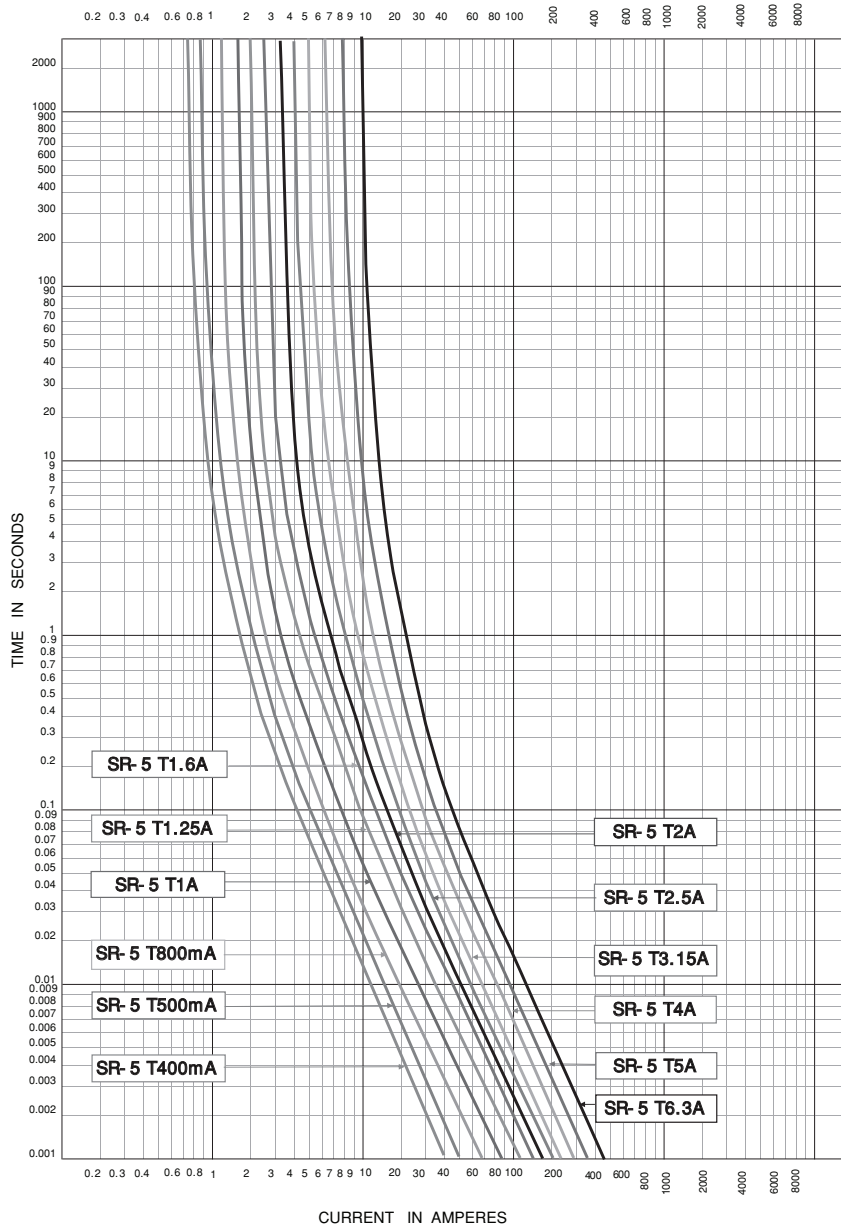
- Specify product and packaging code (i.e., SR-5-1A-AP)

SPECIFICATIONS

Product Code	Voltage Rating AC	Interrupting Rating @ Rated Voltage	Typical DC Cold Resistance (ohms)	Typical Melting I ² t (A ² s) at 1ms	Maximum Power Dissipation (mW)
SR-5-500mA	250V	35A	0.270	2	310
SR-5-630mA	250V	35A	0.175	3.5	360
SR-5-800mA	250V	35A	0.125	6.5	430
SR-5-1A	250V	35A	0.083	9	500
SR-5-1.25A	250V	35A	0.061	13	600
SR-5-1.6A	250V	35A	0.047	24	730
SR-5-2A	250V	35A	0.031	30	870
SR-5-2.5A	250V	35A	0.028	45	1000
SR-5-3.15A	250V	35A	0.023	57	1200
SR-5-4A	250V	40A	0.015	80	1400
*SR-5-5A	250V	50A	0.011	120	1800
*SR-5-6.3A	250V	63A	0.009	140	2000

* Conducting Path min. 0.2mm²

TIME CURRENT CURVE



PACKAGING CODE	
Packaging Code	Description
-AP	Ammo-pack taped 1,000 per box
-BK	In bulk 200 per bag

North America

Cooper Electronic Technologies
1225 Broken Sound Parkway NW
Suite F
Boca Raton, FL 33487-3533
Tel: 1-561-998-4100
Fax: 1-561-241-6640
Toll Free: 1-888-414-2645

Cooper Bussmann
P.O. Box 14460
St. Louis, MO 63178-4460
Tel: 1-636-394-2877
Fax: 1-800-544-2570

Europe

Cooper Electronic Technologies
Cooper (UK) Limited
Burton-on-the-Wolds
Leicestershire • LE12 5TH UK
Tel: +44 (0) 1509 882 737
Fax: +44 (0) 1509 882 786

Cooper Electronic Technologies
Avda. Santa Eulalia, 290
08223
Terrassa, (Barcelona), Spain
Tel: +34 937 362 812
+34 937 362 813
Fax: +34 937 362 719

Asia Pacific

Cooper Electronic Technologies
1 Jalan Kilang Timor
#06-01 Pacific Tech Centre
Singapore 159303
Tel: +65 278 6151
Fax: +65 270 4160