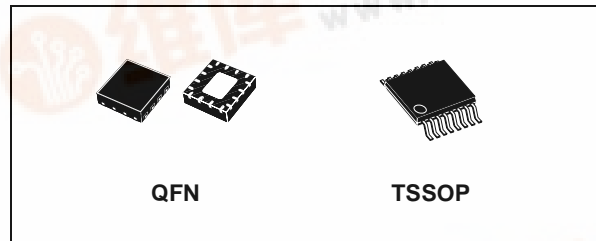




STG3690

LOW VOLTAGE 5Ω MAX QUAD SPDT SWITCH WITH BREAK BEFORE MAKE FEATURE

- HIGH SPEED:
 - $t_{PD} = 0.3ns$ (TYP.) at $V_{CC} = 3.0V$
 - $t_{PD} = 0.4ns$ (TYP.) at $V_{CC} = 2.3V$
- ULTRA LOW POWER DISSIPATION:
 - $I_{CC} = 0.2\mu A$ (MAX.) at $T_A = 85^\circ C$
- LOW "ON" RESISTANCE $V_{IN}=0V$:
 - $R_{ON} = 5\Omega$ (MAX. $T_A = 25^\circ C$) at $V_{CC} = 2.7V$
 - $R_{ON} = 6\Omega$ (MAX. $T_A = 25^\circ C$) at $V_{CC} = 2.3V$
 - $R_{ON} = 7\Omega$ (MAX. $T_A = 25^\circ C$) at $V_{CC} = 1.8V$
- WIDE OPERATING VOLTAGE RANGE:
 - V_{CC} (OPR) = 1.65V to 3.6V SINGLE SUPPLY
- 3.6V TOLERANT AND 1.8V COMPATIBLE THRESHOLD ON DIGITAL CONTROL INPUT at $V_{CC} = 2.3$ to $3.0V$
- LATCH-UP PERFORMANCE EXCEEDS 300mA (JESD 17)



ORDER CODES

PACKAGE	T & R
TSSOP	STG3690TTR
QFN	STG3690QTR

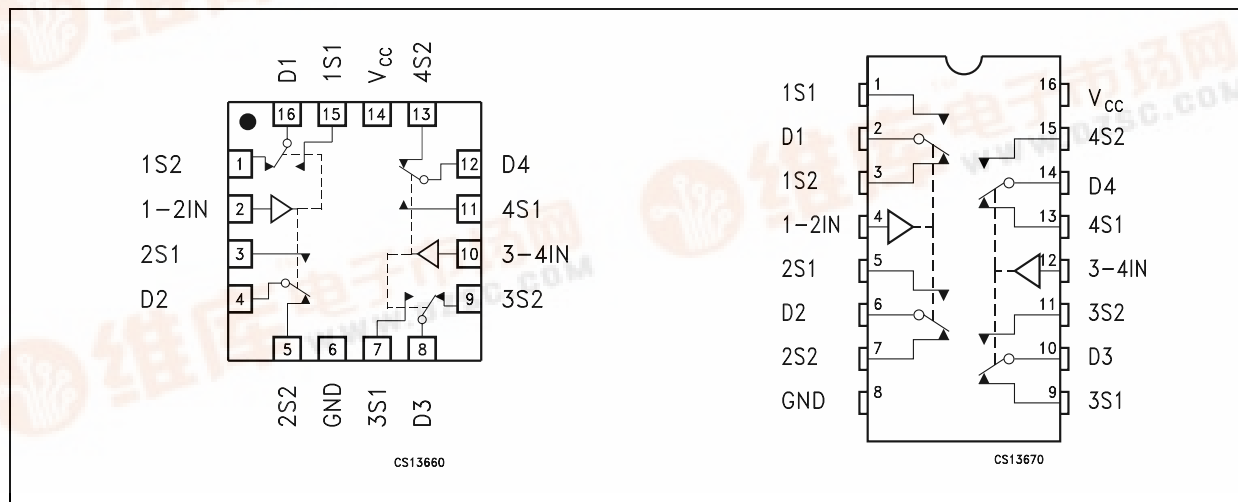
DESCRIPTION

The STG3690 is an high-speed CMOS LOW VOLTAGE QUAD ANALOG S.P.D.T. (Single Pole Dual Throw) SWITCH or 2:1 Multiplexer/Demultiplexer Switch fabricated in silicon gate C²MOS technology. It is designed to operate from 1.65V to 3.6V, making this device ideal for portable applications.

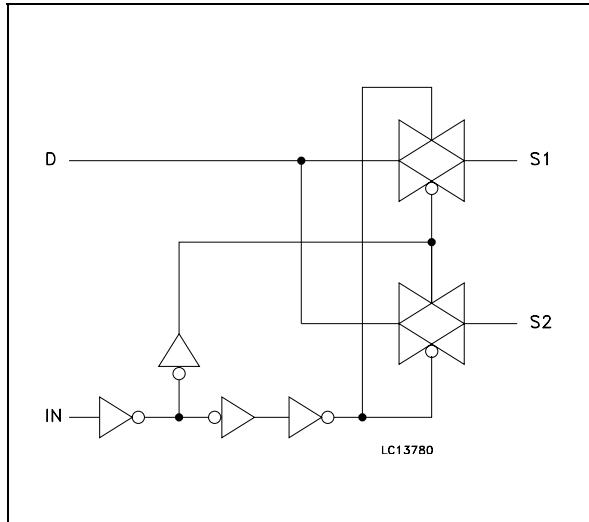
It offers very low ON-Resistance (<5Ω) at $V_{CC}=3.0V$. The n_{IN} inputs are provided to control the switches. The switches $nS1$ are ON (they are connected to common Ports D_n) when the n_{IN}

input is held high and OFF (high impedance state exists between the two ports) when n_{IN} is held low; the switches $nS2$ are ON (they are connected to common Ports D_n) when the n_{IN} input is held low and OFF (high impedance state exists between the two ports) when IN is held high. Additional key features are fast switching speed, Break Before Make Delay Time and Ultra Low Power Consumption. All inputs and outputs are equipped with protection circuits against static discharge, giving them ESD immunity and transient excess voltage. It's available in the commercial temperature range in TSSOP and QFN3x3mm package.

PIN CONNECTION



INPUT EQUIVALENT CIRCUIT



PIN DESCRIPTION

TSSOP PIN N°	QFN PIN N°	SYMBOL	NAME AND FUNCTION
1, 5, 9, 13, 3, 7, 11, 15	15, 3, 7, 11, 1, 5, 9, 13	1S1 to 4S1, 1S2 to 4S2	Independent Channels
2, 6, 10, 14	16, 4, 8, 12	D1 to D4	Common Channels
4, 12	2, 10	1-2IN, 3-4IN	Controls
16	14	V _{CC}	Positive Supply Voltage
8	6	GND	Ground (0V)

TRUTH TABLE

IN	SWITCH S1	SWITCH S2
H	ON	OFF(*)
L	OFF(*)	ON

(*) High Impedance

ABSOLUTE MAXIMUM RATINGS

Symbol	Parameter	Value	Unit	
V _{CC}	Supply Voltage	-0.5 to 4.6	V	
V _I	DC Input Voltage	-0.5 to V _{CC} + 0.5	V	
V _{IC}	DC Control Input Voltage	-0.5 to 4.6	V	
V _O	DC Output Voltage	-0.5 to V _{CC} + 0.5	V	
I _{IKC}	DC Input Diode Current on control pin (V _{IN} < 0V)	- 50	mA	
I _{IK}	DC Input Diode Current (V _{IN} < 0V)	± 50	mA	
I _{OK}	DC Output Diode Current	± 20	mA	
I _O	DC Output Current	± 300	mA	
I _{OP}	DC Output Current Peak (pulse at 1ms, 10% duty cycle)	± 500	mA	
I _{CC} or I _{GND}	DC V _{CC} or Ground Current	± 100	mA	
P _D	Power Dissipation at T _a =70°C (1)	QFN	1120	mW
		TSSOP	500	mW
T _{stg}	Storage Temperature	-65 to 150	°C	
T _L	Lead Temperature (10 sec)	300	°C	

Absolute Maximum Ratings are those values beyond which damage to the device may occur. Functional operation under these conditions not implied.

(1) Derate above 70°C: by 18.5mW/°C for QFN package; by 5.6mW/°C for TSSOP.

RECOMMENDED OPERATING CONDITIONS

Symbol	Parameter	Value	Unit	
V _{CC}	Supply Voltage (note 1)	1.65 to 3.6	V	
V _I	Input Voltage	0 to V _{CC}	V	
V _{IC}	Control Input Voltage	0 to 3.6	V	
V _O	Output Voltage	0 to V _{CC}	V	
T _{op}	Operating Temperature	-55 to 125	°C	
dt/dv	Input Rise and Fall Time Control Input	V _{CC} = 1.65V to 2.7V	0 to 20	ns/V
		V _{CC} = 3.0V to 3.6V	0 to 10	

1) Truth Table guaranteed: 1.2V to 3.6V: The power supply can reach 4.3V without damaging the functional operations.

DC SPECIFICATIONS

Symbol	Parameter	Test Conditions		Value						Unit	
		V _{CC} (V)		T _A = 25°C			-40 to 85°C		-55 to 125°C		
				Min.	Typ.	Max.	Min.	Max.	Min.		Max.
V _{IH}	High Level Input Voltage	1.65-1.95		0.65V _{CC}			0.65V _{CC}		0.65V _{CC}		V
		2.3-2.5		1.4			1.4		1.4		
		2.7-3.0		1.4			1.4		1.4		
		3.3		1.5			1.5		1.5		
		3.6		1.7			1.7		1.7		
V _{IL}	Low Level Input Voltage	1.65-1.95				0.40		0.40		0.40	V
		2.3-2.5				0.50		0.50		0.50	
		2.7-3.6				0.50		0.50		0.50	
		3.3				0.50		0.50		0.50	
		3.6				0.50		0.50		0.50	
R _{ON}	Switch ON Resistance (1)	3.0	V _S =0V to V _{CC} I _S =100mA		0.40	0.50		0.60			Ω
		2.7			0.40	0.50		0.60			
		2.3			0.50	0.80		0.80			
		1.8			0.70	3.0		4.0			
		1.65			0.80	3.0		4.0			
ΔR _{ON}	ON Resistance Match between channels (1,2)	2.7	V _S =1.5V I _S =100mA		0.06						Ω
R _{FLAT}	ON Resistance FLATNESS (3)	3.0	V _S =1.5V I _S =100mA								Ω
		2.7			0.07	0.15		0.15			
		2.3									
		1.65	V _S =0.8V I _S =100mA								
I _{OFF}	OFF State Leakage Current (nSn), (Dn)	3.3	V _S =0.3 or 3V			±10		±100			nA
I _{IN}	Input Leakage Current	0 - 3.6	V _{IN} = 0 to 3.6V			±0.1		±1			μA
I _{CC}	Quiescent Supply Current (1)	1.65-3.6	V _{IN} =V _{CC} or GND			±0.05		±0.2		±1	μA

Note 1: Guaranteed by design

Note 2: ΔR_{ON} = R_{ON(MAX)} - R_{ON(MIN)}.

Note 3: Flatness is defined as the difference between the maximum and minimum value of on-resistance as measured over the specified analog signal ranges.

STG3690

AC ELECTRICAL CHARACTERISTICS ($C_L = 35\text{pF}$, $R_L = 50\Omega$, $t_r = t_f \leq 5\text{ns}$)

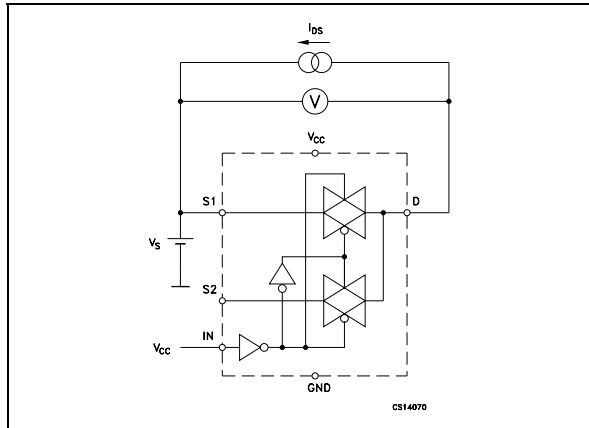
Symbol	Parameter	Test Condition		Value						Unit	
		V_{CC} (V)		$T_A = 25^\circ\text{C}$			-40 to 85°C		-55 to 125°C		
				Min.	Typ.	Max.	Min.	Max.	Min.		Max.
t_{PLH} , t_{PHL}	Propagation Delay	1.65-1.95	$V_I = \text{OPEN}$		0.45						ns
		2.3-2.7			0.40						
		3.0-3.6			0.30						
t_{ON}	TURN-ON time	1.65-1.95	$V_S = 0.8\text{V}$		70						ns
		2.3-2.7	$V_S = 1.5\text{V}$		30	50		60			
		3.0-3.6	$V_S = 1.5\text{V}$		30	50		60			
t_{OFF}	TURN-OFF time	1.65-1.95	$V_S = 0.8\text{V}$		45						ns
		2.3-2.7	$V_S = 1.5\text{V}$		25	30		40			
		3.0-3.6	$V_S = 1.5\text{V}$		25	30		40			
t_D	Break Before Make Time Delay	1.65-1.95	$C_L = 35\text{pF}$								ns
		2.3-2.7	$R_L = 50\Omega$	2	15						
		3.0-3.6	$V_S = 1.5\text{V}$	2	15						
Q	Charge injection	1.65-1.95	$C_L = 100\text{pF}$								pC
		2.3-2.7	$R_L = 1\text{M}\Omega$		200						
		3.0-3.6	$V_{GEN} = 0\text{V}$ $R_{GEN} = 0\Omega$		200						

ANALOG SWITCH CHARACTERISTICS ($C_L = 5\text{pF}$, $R_L = 50\Omega$, $T_A = 25^\circ\text{C}$)

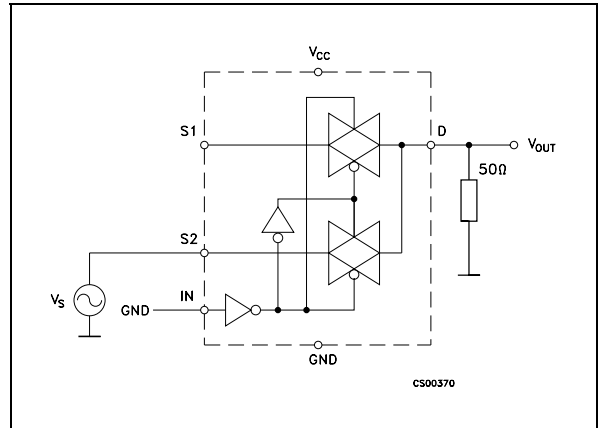
Symbol	Parameter	Test Condition		Value						Unit	
		V_{CC} (V)		$T_A = 25^\circ\text{C}$			-40 to 85°C		-55 to 125°C		
				Min.	Typ.	Max.	Min.	Max.	Min.		Max.
OIRR	Off Isolation (1)	1.65-3.6	$V_S = 1\text{V}_{\text{RMS}}$ $f = 100\text{KHz}$		-64						dB
Xtalk	Crosstalk	1.65-3.6	$V_S = 1\text{V}_{\text{RMS}}$ $f = 100\text{KHz}$		-54						dB
THD	Total Harmonic Distortion	2.3-3.6	$R_L = 600\Omega$ $V_{IN} = 2\text{V}_{\text{PP}}$ $f = 20\text{Hz}$ to 20kHz		0.03						%
BW	-3dB Bandwidth	1.65-3.6	$R_L = 50\Omega$		50						MHz
C_{IN}	Control Pin Input Capacitance				5						pF
C_{Sn}	Sn Port Capacitance	3.3	$f = 1\text{MHz}$		37						
C_D	D Port Capacitance when Switch is Enabled	3.3	$f = 1\text{MHz}$		84						

Note 1: Off Isolation = $20\text{Log}_{10}(V_D/V_S)$, V_D = output. V_S = input to off switch

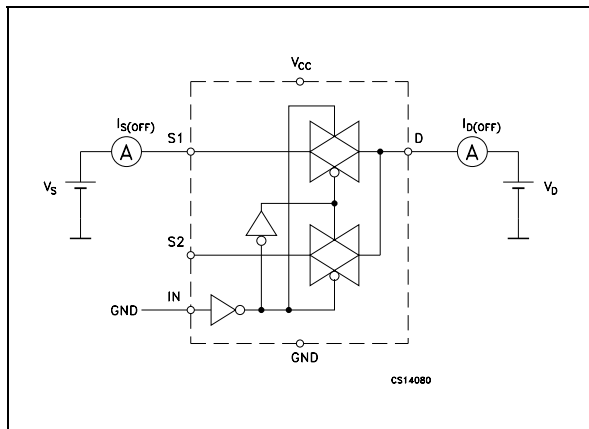
ON RESISTANCE



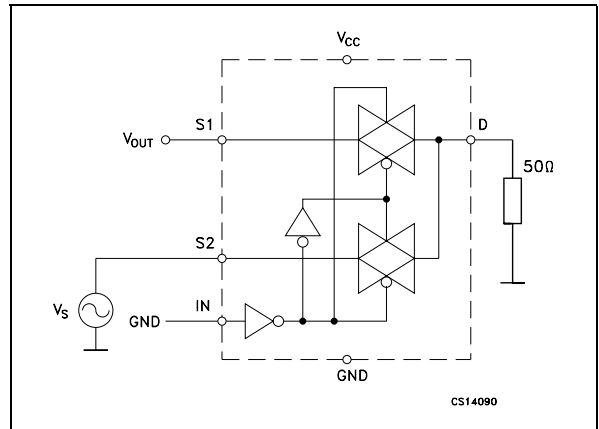
BANDWIDTH



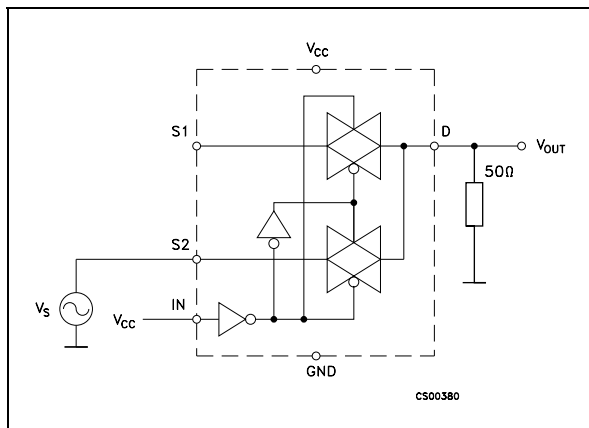
OFF LEAKAGE



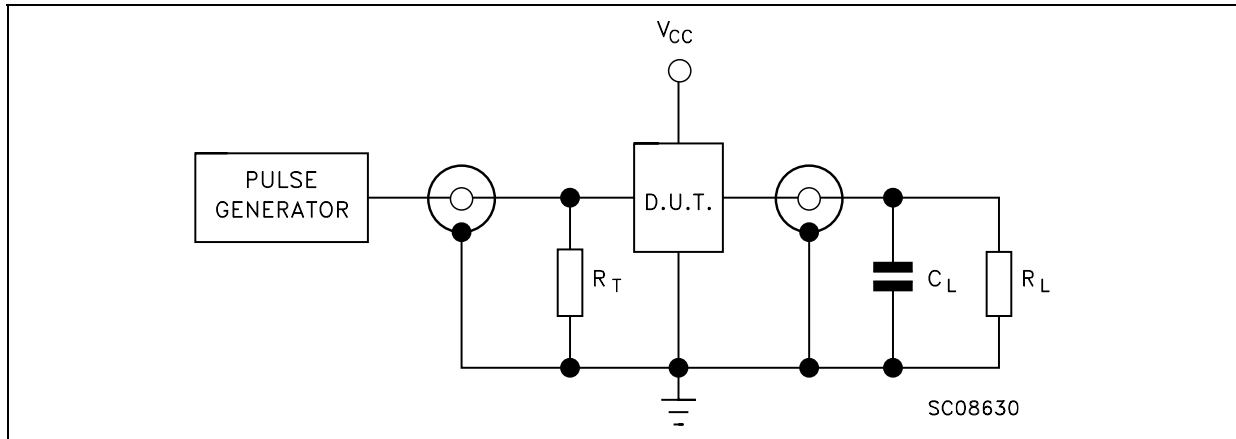
CHANNEL TO CHANNEL CROSSTALK



OFF ISOLATION

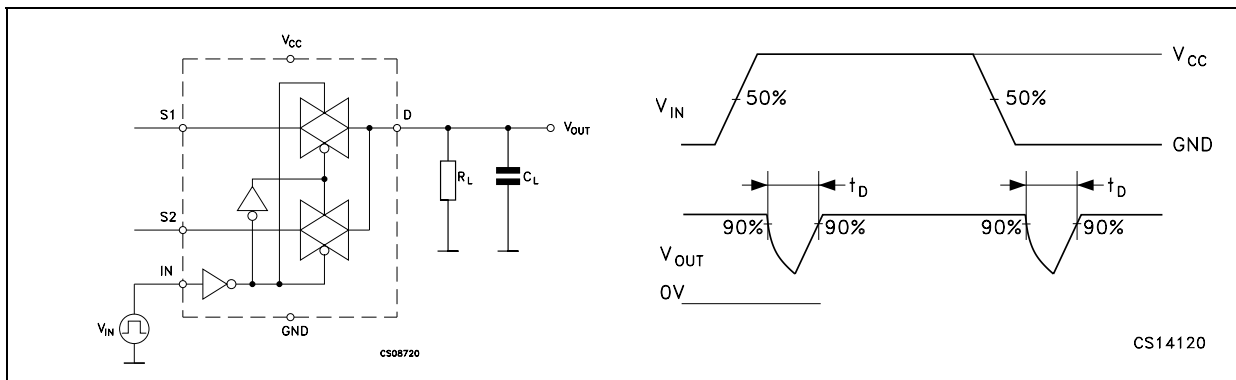


TEST CIRCUIT

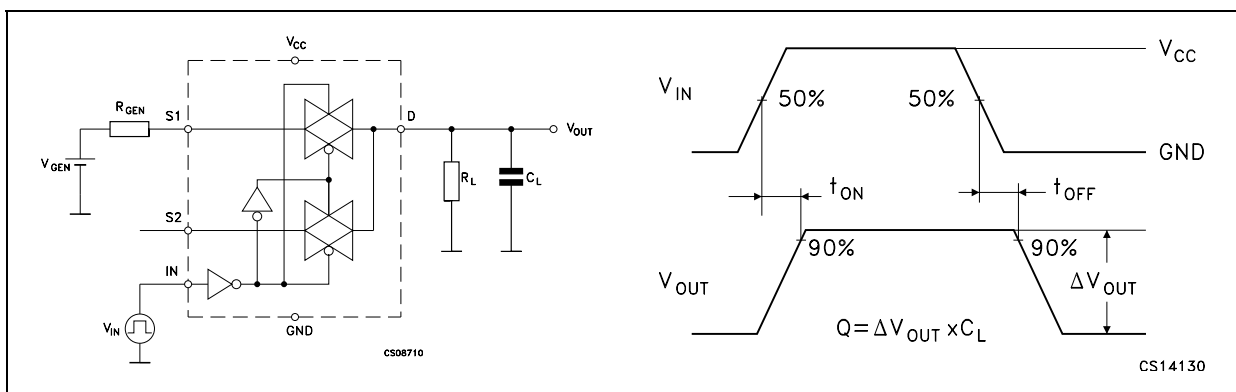


$C_L = 5/35\text{pF}$ or equivalent (includes jig and probe capacitance)
 $R_L = 50\Omega$ or equivalent
 $R_T = Z_{OUT}$ of pulse generator (typically 50Ω)

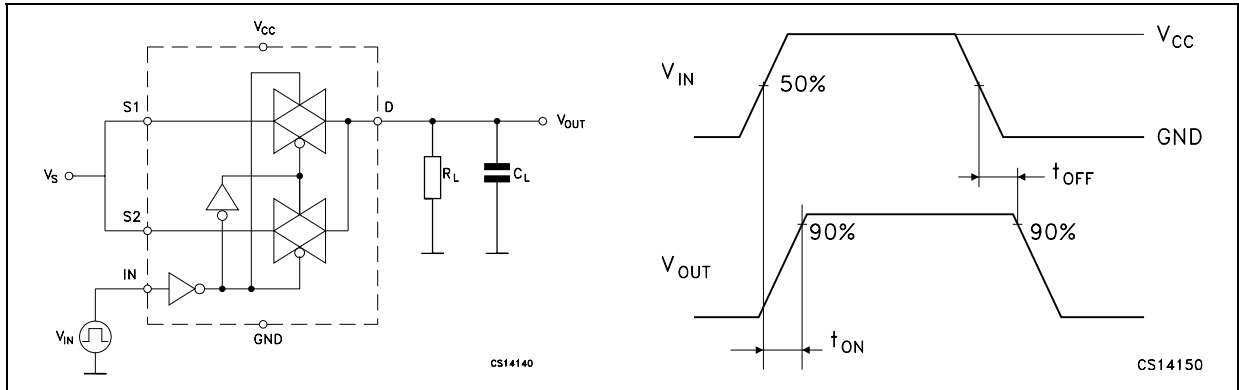
BREAK BEFORE MAKE TIME DELAY



SWITCHING TIME AND CHARGE INJECTION ($V_{GEN}=0V$, $R_{GEN}=0\Omega$, $R_L=1M\Omega$, $C_L=100\text{pF}$) TURN ON,

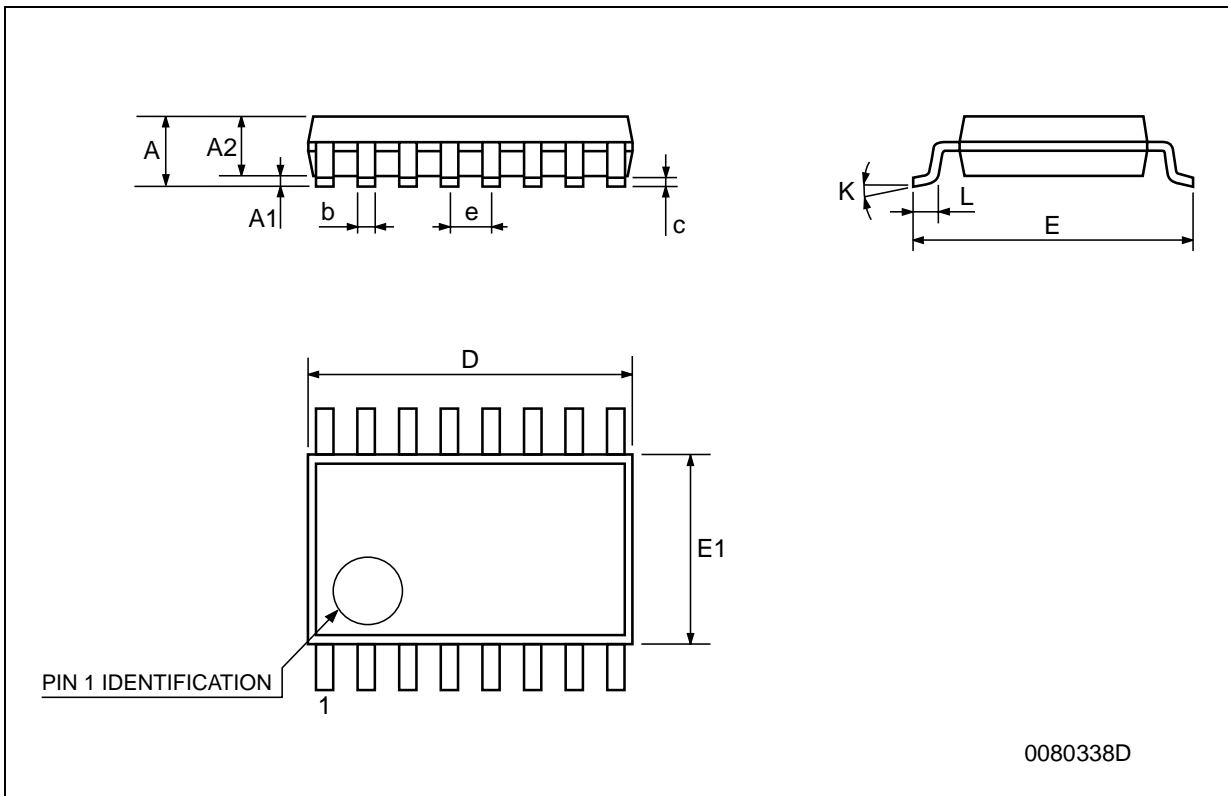


TURN OFF DELAY TIME



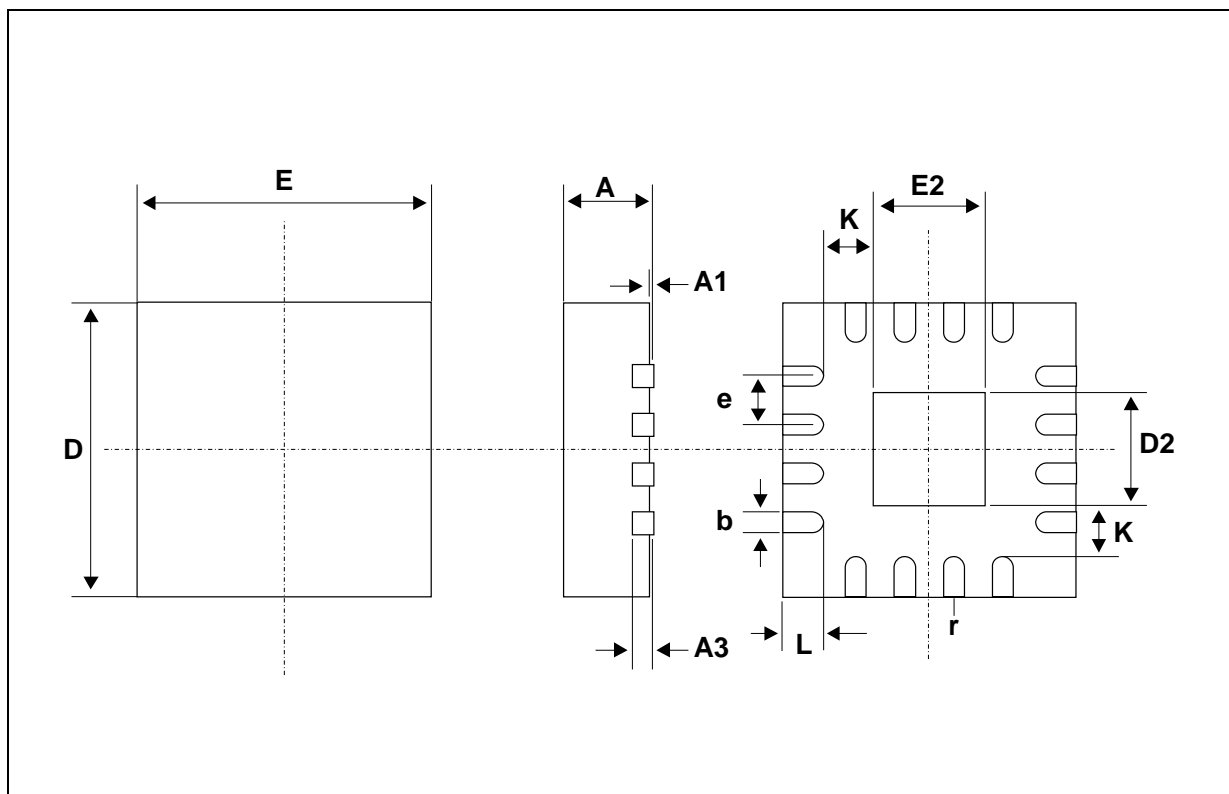
TSSOP16 MECHANICAL DATA

DIM.	mm.			inch		
	MIN.	TYP	MAX.	MIN.	TYP.	MAX.
A			1.2			0.047
A1	0.05		0.15	0.002	0.004	0.006
A2	0.8	1	1.05	0.031	0.039	0.041
b	0.19		0.30	0.007		0.012
c	0.09		0.20	0.004		0.0079
D	4.9	5	5.1	0.193	0.197	0.201
E	6.2	6.4	6.6	0.244	0.252	0.260
E1	4.3	4.4	4.48	0.169	0.173	0.176
e		0.65 BSC			0.0256 BSC	
K	0°		8°	0°		8°
L	0.45	0.60	0.75	0.018	0.024	0.030



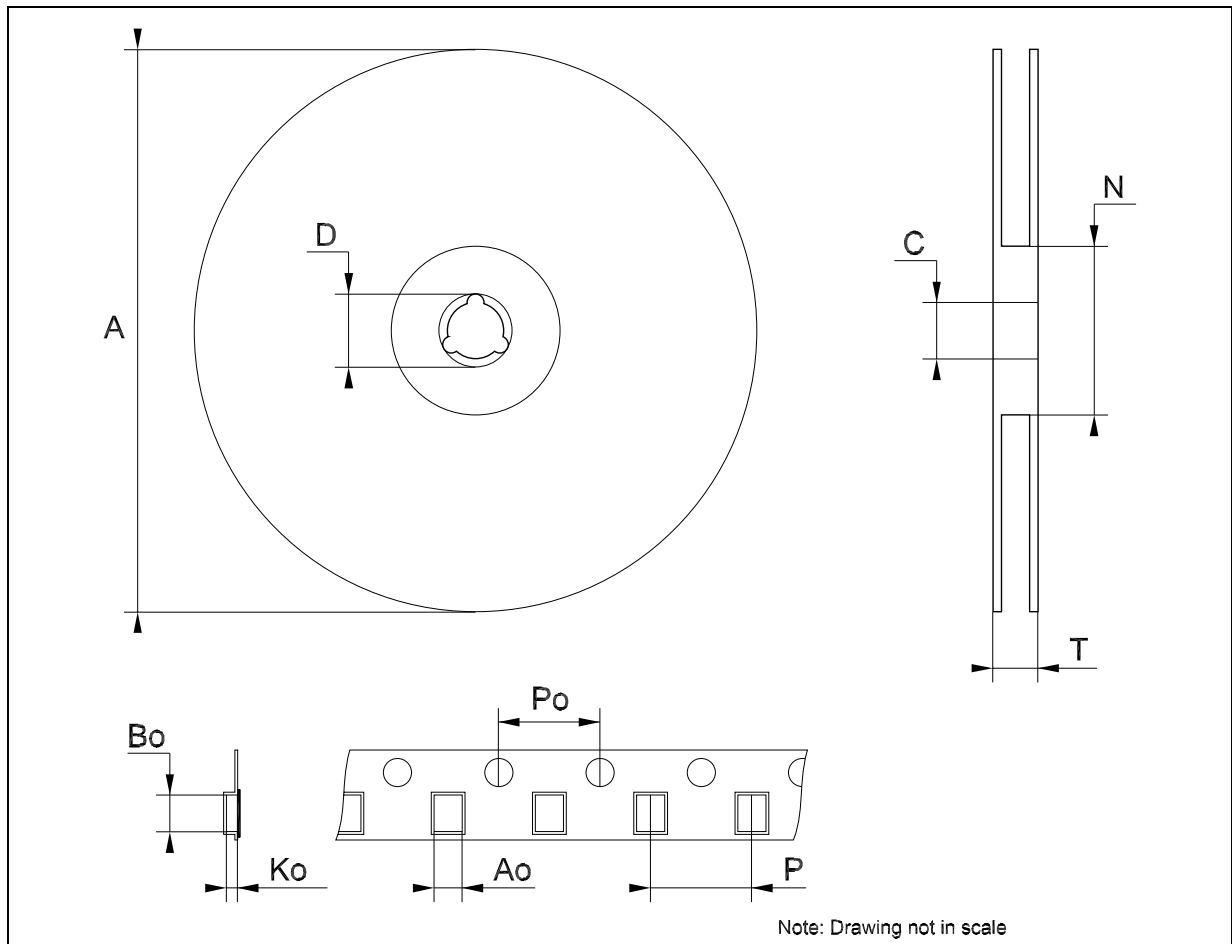
QFN16 (3x3) MECHANICAL DATA

DIM.	mm.			inch		
	MIN.	TYP.	MAX.	MIN.	TYP.	MAX.
A	0.80	0.90	1.00	0.032	0.035	0.039
A1		0.02	0.05		0.001	0.002
A3		0.20			0.008	
b	0.18	0.25	0.30	0.007	0.010	0.012
D		3.00			0.118	
D2	1.55	1.70	1.80	0.061	0.067	0.071
E		3.00			0.118	
E2	1.55	1.70	1.80	0.061	0.067	0.071
e		0.50			0.020	
K		0.20			0.008	
L	0.30	0.40	0.50	0.012	0.016	0.020
r	0.09			0.006		



Tape & Reel TSSOP16 MECHANICAL DATA

DIM.	mm.			inch		
	MIN.	TYP	MAX.	MIN.	TYP.	MAX.
A			330			12.992
C	12.8		13.2	0.504		0.519
D	20.2			0.795		
N	60			2.362		
T			22.4			0.882
Ao	6.7		6.9	0.264		0.272
Bo	5.3		5.5	0.209		0.217
Ko	1.6		1.8	0.063		0.071
Po	3.9		4.1	0.153		0.161
P	7.9		8.1	0.311		0.319



Information furnished is believed to be accurate and reliable. However, STMicroelectronics assumes no responsibility for the consequences of use of such information nor for any infringement of patents or other rights of third parties which may result from its use. No license is granted by implication or otherwise under any patent or patent rights of STMicroelectronics. Specifications mentioned in this publication are subject to change without notice. This publication supersedes and replaces all information previously supplied. STMicroelectronics products are not authorized for use as critical components in life support devices or systems without express written approval of STMicroelectronics.

The ST logo is a registered trademark of STMicroelectronics
All other names are the property of their respective owners

© 2004 STMicroelectronics - All Rights Reserved
STMicroelectronics GROUP OF COMPANIES

Australia - Belgium - Brazil - Canada - China - Czech Republic - Finland - France - Germany - Hong Kong - India - Israel - Italy - Japan -
Malaysia - Malta - Morocco - Singapore - Spain - Sweden - Switzerland - United Kingdom - United States.
<http://www.st.com>