

These are scheduled to be discontinued in the near future.

Features

- © IMST, 2 Channel by 2 Power Supply.
- AF Output Power STK-040: 10 W min.
STK-041: 15 W min.
STK-043: 20 W min.
- STK-043-105 are for the use of $T_C=150^{\circ}C$.

MAXIMUM RATINGS / $T_a=25^{\circ}C$

		STK-040	STK-041	STK-043	unit
Maximum Supply Voltage	V_{CC} max	± 25	± 29	± 32.5	V
Operating Case Temperature	T_C	\rightarrow	90	\leftarrow	$^{\circ}C$
Storage Temperature	T_{stg}	\rightarrow	-30 to +100	\leftarrow	$^{\circ}C$
Allowable Load Shorting Time	t_s recommended operation condition, rated power output $f=50Hz$	\rightarrow	2	\leftarrow	sec

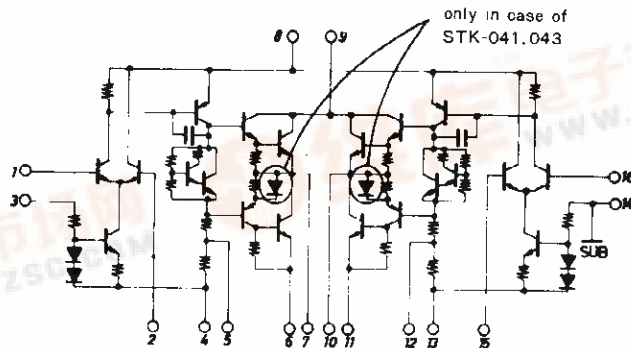
RECOMMENDED OPERATION CONDITION / $T_a=25^{\circ}C$

		STK-040	STK-041	STK-043	unit
Recommended Supply Voltage	V_{CC}	± 16.5	± 20	± 22	V
Load Resistance	R_L	\rightarrow	8	\leftarrow	ohm

**OPERATION CHARACTERISTICS / $T_a=25^{\circ}C$, recommended V_{CC} supplied, $R_L=8$ ohm, $R_g=600$ ohm
 $VG=41.5$ dB (STK-040), 38.5 dB (STK-041, 043)**

			STK-040	STK-041	STK-043	unit
Quiescent Current	I_{cco}		\rightarrow	120	\leftarrow	mA max
Output Power	P_O	THD=0.9%, $f=1$ kHz	10	—	—	W min
		THD=0.5%, $f=20$ to 20 kHz	—	15	—	W min
		THD=0.5%, $f=1$ kHz	—	—	20	W min
Distortion	THD	$P_o=1W$, $f=1$ kHz	\rightarrow	0.2	\leftarrow	% max
Frequency Response	—	$P_o=0.1$ W, -3 dB	\rightarrow	20 to 50k	\leftarrow	Hz
Input Resistance	r_i	$P_o=0.1$ W	\rightarrow	32k	\leftarrow	ohm

EQUIVALENT CIRCUIT



APPLICATION: 10, 15, 20W min 2 Channel AF Power Amp.

