



STW20NC50

N-CHANNEL 500V - 0.22Ω - 18.4A TO-247

PowerMesh™II MOSFET

| TYPE | V _{DSS} | R _{DS(on)} | I _D |
|-----------|------------------|---------------------|----------------|
| STW20NC50 | 500V | < 0.27Ω | 18.4A |

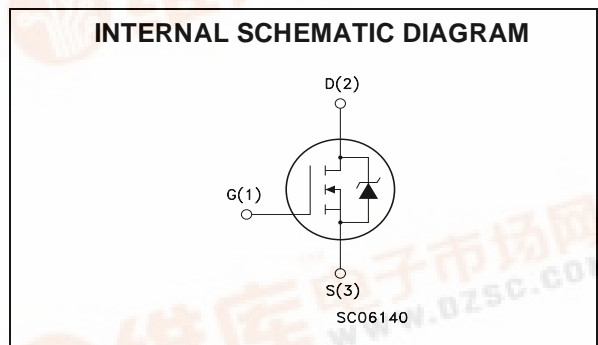
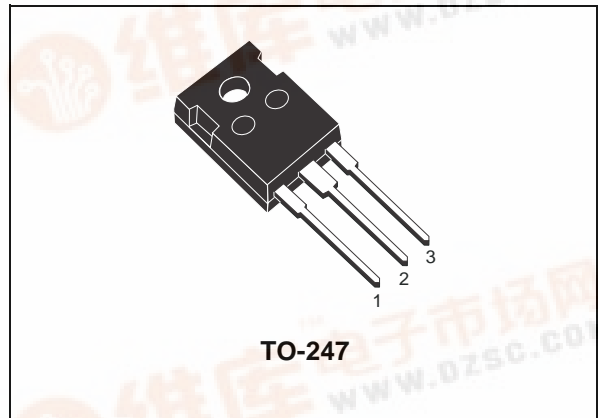
- TYPICAL R_{DS(on)} = 0.22Ω
- EXTREMELY HIGH dv/dt CAPABILITY
- 100% AVALANCHE TESTED
- NEW HIGH VOLTAGE BENCHMARK
- GATE CHARGE MINIMIZED

DESCRIPTION

The PowerMESH™II is the evolution of the first generation of MESH OVERLAY™. The layout refinements introduced greatly improve the Ron*area figure of merit while keeping the device at the leading edge for what concerns switching speed, gate charge and ruggedness.

APPLICATIONS

- SWITCH MODE LOW POWER SUPPLIES (SMPS)
- HIGH CURRENT, HIGH SPEED SWITCHING
- DC-AC CONVERTERS FOR WELDING EQUIPMENT AND UNINTERRUPTIBLE POWER SUPPLIES AND MOTOR DRIVES



ABSOLUTE MAXIMUM RATINGS

| Symbol | Parameter | Value | Unit |
|---------------------|--|------------|------|
| V _{DS} | Drain-source Voltage (V _{GS} = 0) | 500 | V |
| V _{DGR} | Drain-gate Voltage (R _{GS} = 20 kΩ) | 500 | V |
| V _{GS} | Gate- source Voltage | ±30 | V |
| I _D | Drain Current (continuous) at T _C = 25°C | 18.4 | A |
| I _D | Drain Current (continuous) at T _C = 100°C | 11.6 | A |
| I _{DM} (●) | Drain Current (pulsed) | 73.6 | A |
| P _{TOT} | Total Dissipation at T _C = 25°C | 220 | W |
| | Derating Factor | 1.75 | W/°C |
| dv/dt(1) | Peak Diode Recovery voltage slope | 2 | V/ns |
| T _{stg} | Storage Temperature | -65 to 150 | °C |
| T _j | Max. Operating Junction Temperature | 150 | °C |

(●)Pulse width limited by safe operating area

(1)I_{SD} ≤ 18.4A, di/dt ≤ 100A/μs, V_{DD} ≤ V_{(BR)DSS}, T_j ≤ T_{JMAX}.

STW20NC50

THERMAL DATA

| | | | |
|----------------|--|------|------|
| Rthj-case | Thermal Resistance Junction-case Max | 0.57 | °C/W |
| Rthj-amb | Thermal Resistance Junction-ambient Max | 30 | °C/W |
| Rthc-sink | Thermal Resistance Case-sink Typ | 0.1 | °C/W |
| T _I | Maximum Lead Temperature For Soldering Purpose | 300 | °C |

AVALANCHE CHARACTERISTICS

| Symbol | Parameter | Max Value | Unit |
|-----------------|--|-----------|------|
| I _{AR} | Avalanche Current, Repetitive or Not-Repetitive (pulse width limited by T _j max) | 20 | A |
| E _{AS} | Single Pulse Avalanche Energy (starting T _j = 25 °C, I _D = I _{AR} , V _{DD} = 50 V) | 960 | mJ |

ELECTRICAL CHARACTERISTICS (TCASE = 25 °C UNLESS OTHERWISE SPECIFIED) OFF

| Symbol | Parameter | Test Conditions | Min. | Typ. | Max. | Unit |
|----------------------|---|---|------|------|---------|----------|
| V _{(BR)DSS} | Drain-source Breakdown Voltage | I _D = 250 μA, V _{GS} = 0 | 500 | | | V |
| I _{DSS} | Zero Gate Voltage Drain Current (V _{GS} = 0) | V _{DS} = Max Rating V _{DS} = Max Rating, T _C = 125 °C | | | 1 50 | μA μA |
| I _{GSS} | Gate-body Leakage Current (V _{DS} = 0) | V _{GS} = ±30V | | | ±100 | nA |

ON (1)

| Symbol | Parameter | Test Conditions | Min. | Typ. | Max. | Unit |
|---------------------|-----------------------------------|--|------|------|------|------|
| V _{GS(th)} | Gate Threshold Voltage | V _{DS} = V _{GS} , I _D = 250μA | 2 | 3 | 4 | V |
| R _{DS(on)} | Static Drain-source On Resistance | V _{GS} = 10V, I _D = 9 A | | 0.22 | 0.27 | Ω |
| I _{D(on)} | On State Drain Current | V _{DS} > I _{D(on)} × R _{DS(on)max} , V _{GS} = 10V | 18.4 | | | A |

DYNAMIC

| Symbol | Parameter | Test Conditions | Min. | Typ. | Max. | Unit |
|--------------------------------|------------------------------|--|------|------|------|------|
| g _{fs} ⁽¹⁾ | Forward Transconductance | V _{DS} > I _{D(on)} × R _{DS(on)max} , I _D = 9A | | 18 | | S |
| C _{iss} | Input Capacitance | V _{DS} = 25V, f = 1 MHz, V _{GS} = 0 | | 2980 | | pF |
| C _{oss} | Output Capacitance | | | 410 | | pF |
| C _{rss} | Reverse Transfer Capacitance | | | 58 | | pF |

ELECTRICAL CHARACTERISTICS (CONTINUED)

SWITCHING ON

| Symbol | Parameter | Test Conditions | Min. | Typ. | Max. | Unit |
|-------------|--------------------|---|------|------|------|------|
| $t_{d(on)}$ | Turn-on Delay Time | $V_{DD} = 250V, I_D = 10A$ $R_G = 4.7\Omega, V_{GS} = 10V$ (see test circuit, Figure 3) | | 29 | | ns |
| t_r | Rise Time | | | 21 | | ns |
| Q_g | Total Gate Charge | $V_{DD} = 400V, I_D = 20A,$ $V_{GS} = 10V$ | | 95 | 128 | nC |
| Q_{gs} | Gate-Source Charge | | | 14.7 | | nC |
| Q_{gd} | Gate-Drain Charge | | | 41.7 | | nC |

SWITCHING OFF

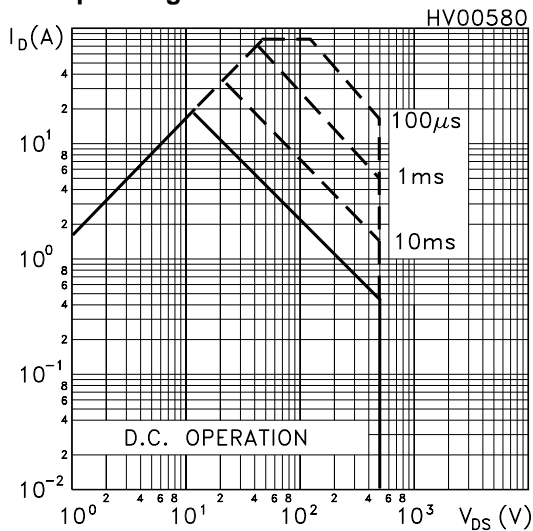
| Symbol | Parameter | Test Conditions | Min. | Typ. | Max. | Unit |
|---------------|-----------------------|--|------|------|------|------|
| $t_{r(Voff)}$ | Off-voltage Rise Time | $V_{DD} = 400V, I_D = 20A,$ $R_G = 4.7\Omega, V_{GS} = 10V$ (see test circuit, Figure 5) | | 20 | | ns |
| t_f | Fall Time | | | 21 | | ns |
| t_c | Cross-over Time | | | 58 | | ns |

SOURCE DRAIN DIODE

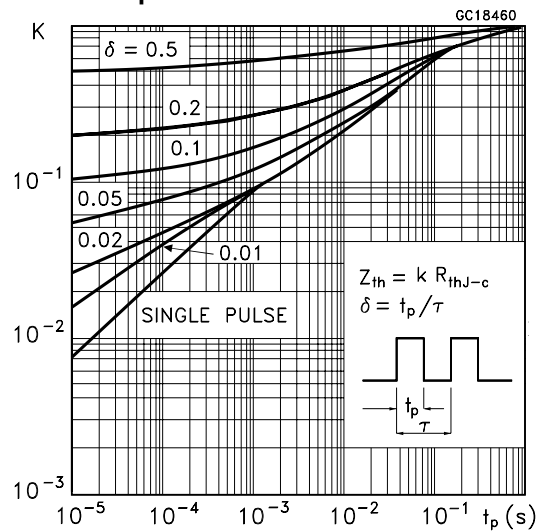
| Symbol | Parameter | Test Conditions | Min. | Typ. | Max. | Unit |
|--------------|-------------------------------|---|------|------|------|---------|
| I_{SD} | Source-drain Current | | | | 18.4 | A |
| $I_{SDM(2)}$ | Source-drain Current (pulsed) | | | | 73.6 | A |
| $V_{SD(1)}$ | Forward On Voltage | $I_{SD} = 18.4A, V_{GS} = 0$ | | | 1.6 | V |
| t_{rr} | Reverse Recovery Time | $I_{SD} = 20A, di/dt = 100A/\mu s,$ $V_{DD} = 100V, T_J = 150^\circ C$ (see test circuit, Figure 5) | | 480 | | ns |
| Q_{rr} | Reverse Recovery Charge | | | 5 | | μC |
| I_{RRM} | Reverse Recovery Current | | | 21 | | A |

Note: 1. Pulsed: Pulse duration = 300 μs , duty cycle 1.5 %.
2. Pulse width limited by safe operating area.

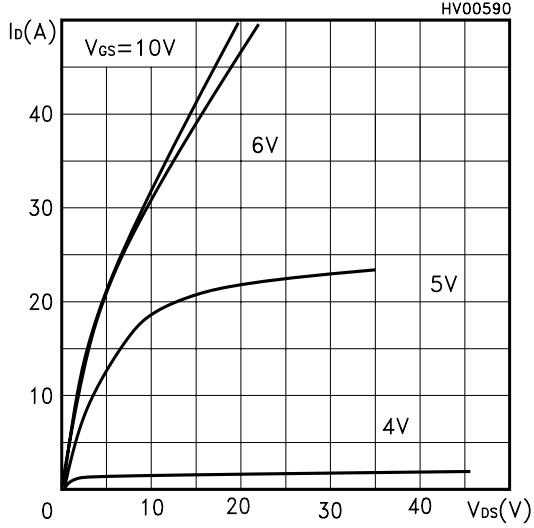
Safe Operating Area



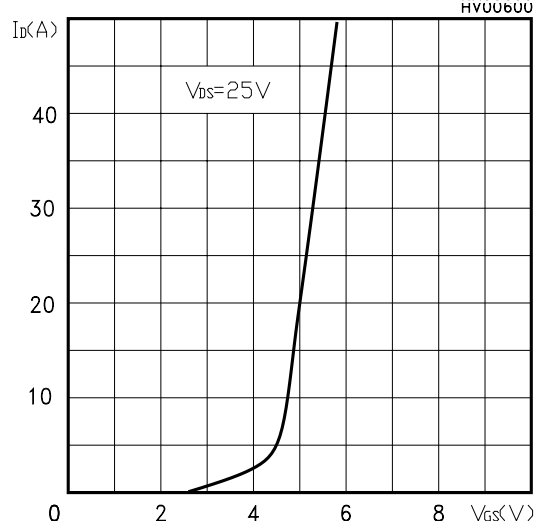
Thermal Impedance



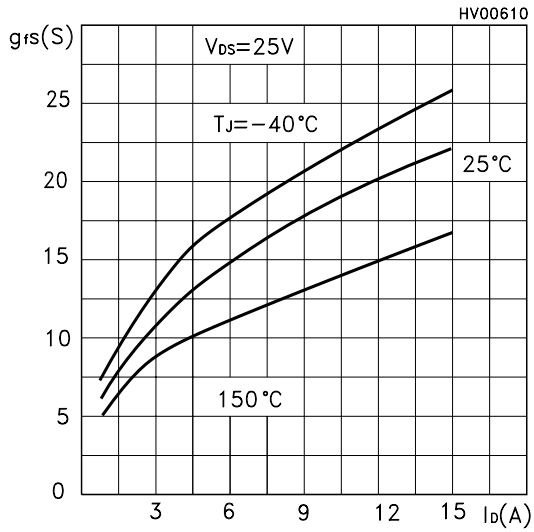
Output Characteristics



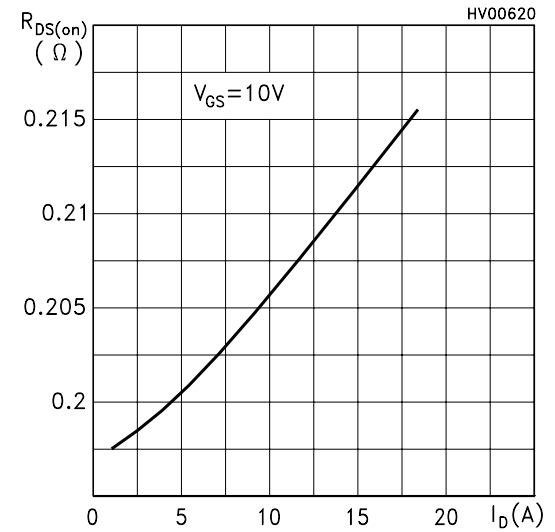
Transfer Characteristics



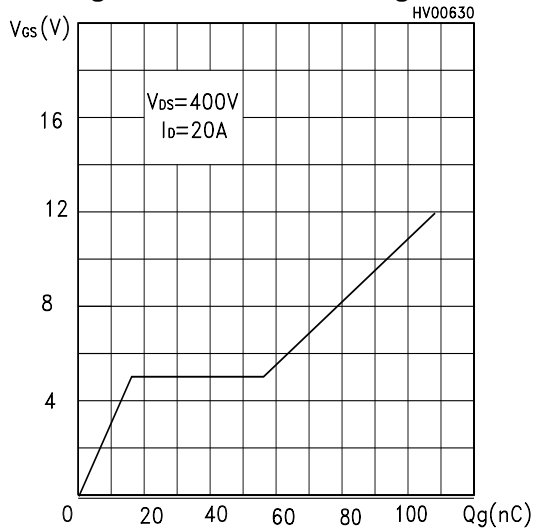
Transconductance



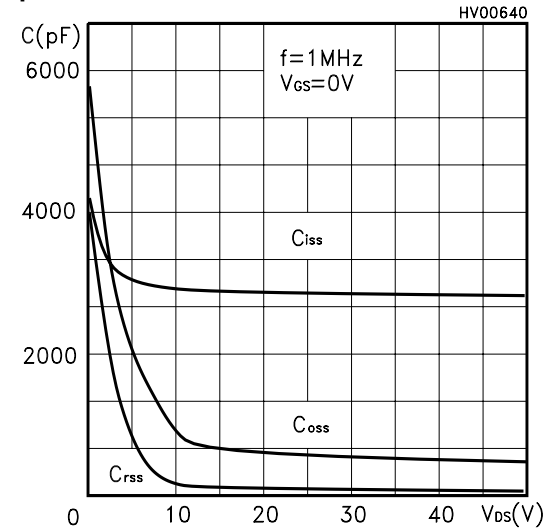
Static Drain-source On Resistance



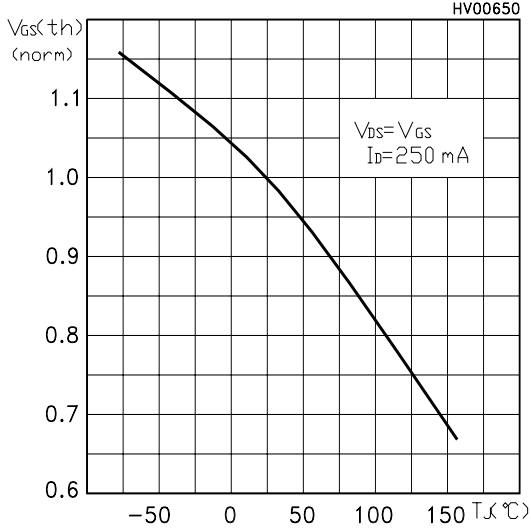
Gate Charge vs Gate-source Voltage



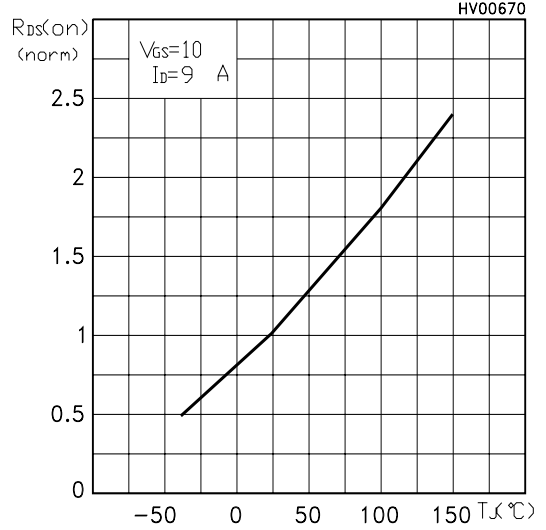
Capacitance Variations



Normalized Gate Threshold Voltage vs Temp.



Normalized On Resistance vs Temperature



Source-drain Diode Forward Characteristics

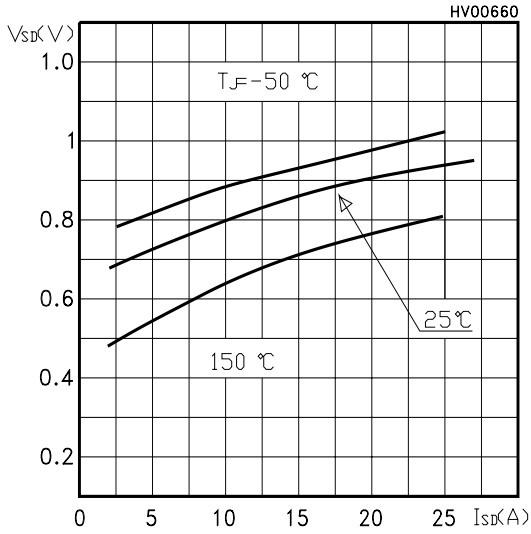


Fig. 1: Unclamped Inductive Load Test Circuit

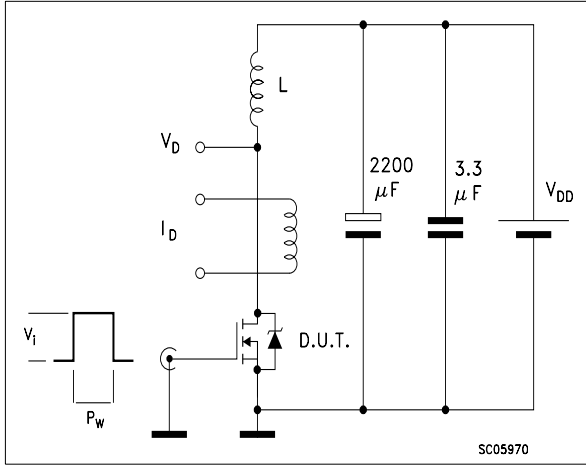


Fig. 2: Unclamped Inductive Waveform

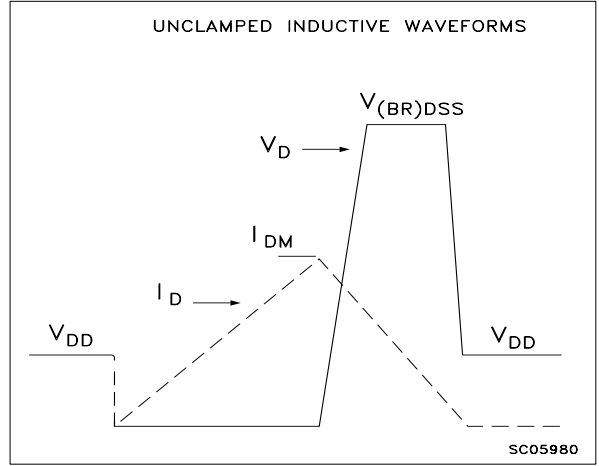


Fig. 3: Switching Times Test Circuit For Resistive Load

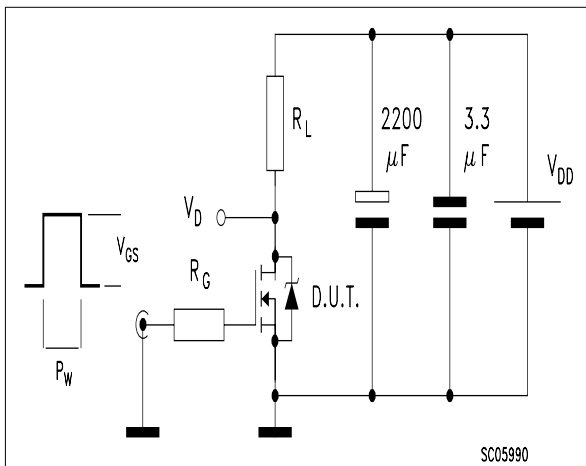


Fig. 4: Gate Charge test Circuit

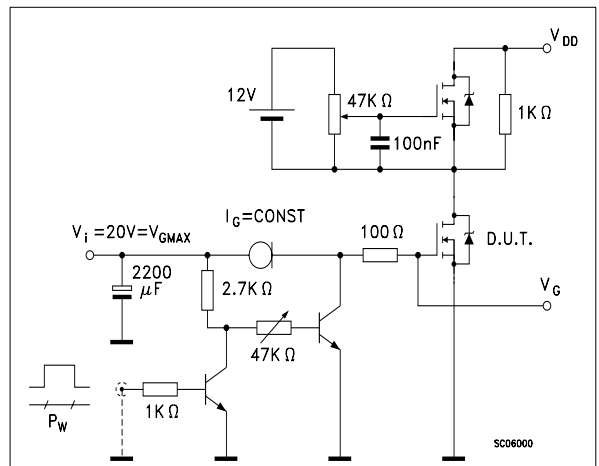
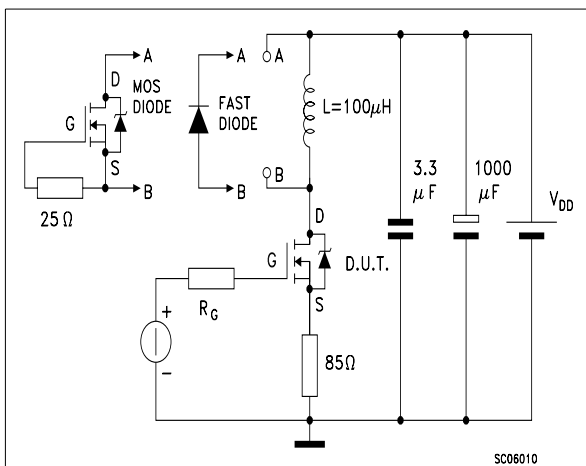
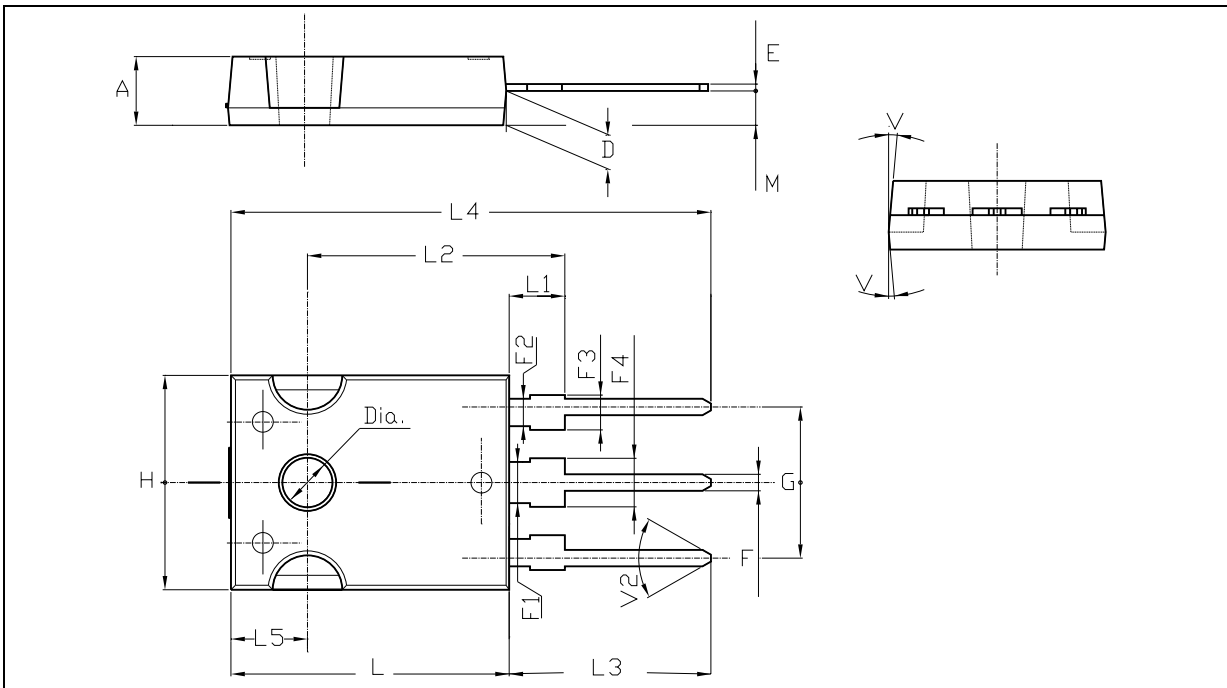


Fig. 5: Test Circuit For Inductive Load Switching And Diode Recovery Times



TO-247 MECHANICAL DATA

| DIM. | mm. | | | inch | | |
|------|-------|-------|-------|-------|------|-------|
| | MIN. | TYP | MAX. | MIN. | TYP. | MAX. |
| A | 4.85 | | 5.15 | 0.19 | | 0.20 |
| D | 2.20 | | 2.60 | 0.08 | | 0.10 |
| E | 0.40 | | 0.80 | 0.015 | | 0.03 |
| F | 1 | | 1.40 | 0.04 | | 0.05 |
| F1 | | 3 | | | 0.11 | |
| F2 | | 2 | | | 0.07 | |
| F3 | 2 | | 2.40 | 0.07 | | 0.09 |
| F4 | 3 | | 3.40 | 0.11 | | 0.13 |
| G | | 10.90 | | | 0.43 | |
| H | 15.45 | | 15.75 | 0.60 | | 0.62 |
| L | 19.85 | | 20.15 | 0.78 | | 0.79 |
| L1 | 3.70 | | 4.30 | 0.14 | | 0.17 |
| L2 | | 18.50 | | | 0.72 | |
| L3 | 14.20 | | 14.80 | 0.56 | | 0.58 |
| L4 | | 34.60 | | | 1.36 | |
| L5 | | 5.50 | | | 0.21 | |
| M | 2 | | 3 | 0.07 | | 0.11 |
| V | | 5° | | | 5° | |
| V2 | | 60° | | | 60° | |
| Dia | 3.55 | | 3.65 | 0.14 | | 0.143 |



Information furnished is believed to be accurate and reliable. However, STMicroelectronics assumes no responsibility for the consequences of use of such information nor for any infringement of patents or other rights of third parties which may result from its use. No license is granted by implication or otherwise under any patent or patent rights of STMicroelectronics. Specification mentioned in this publication are subject to change without notice. This publication supersedes and replaces all information previously supplied. STMicroelectronics products are not authorized for use as critical components in life support devices or systems without express written approval of STMicroelectronics.

The ST logo is a trademark of STMicroelectronics

© 2000 STMicroelectronics – Printed in Italy – All Rights Reserved

STMicroelectronics GROUP OF COMPANIES

Australia - Brazil - China - Finland - France - Germany - Hong Kong - India - Italy - Japan - Malaysia - Malta - Morocco -
Singapore - Spain - Sweden - Switzerland - United Kingdom - U.S.A.

<http://www.st.com>