



**NPN SILICON HIGH
FREQUENCY TRANSISTOR**

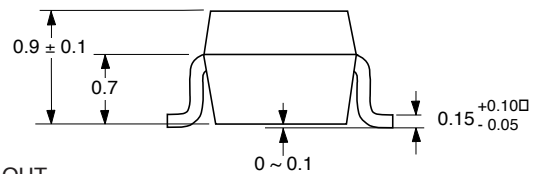
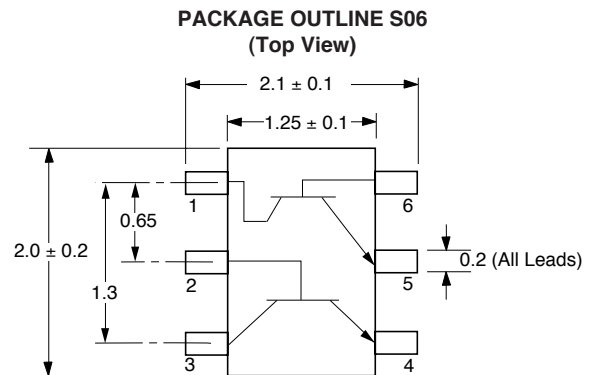
FEATURES

- **SMALL PACKAGE STYLE:**
2 NE856 Die in a 2 mm x 1.25 mm package
- **LOW NOISE FIGURE:**
NF = 1.2 dB TYP at 1 GHz
- **HIGH GAIN:**
 $IS_{21EI}^2 = 9.0$ dB TYP at 1 GHz
- **EXCELLENT LOW VOLTAGE, LOW CURRENT PERFORMANCE**
- **HIGH COLLECTOR CURRENT:** 100 mA

DESCRIPTION

NEC's UPA810T is two NPN high frequency silicon epitaxial transistors encapsulated in an ultra small 6 pin SMT package. Each transistor is independently mounted and easily configured for either dual transistor or cascode operation. The high fr, low voltage bias and small size make this device suited for various hand-held wireless applications.

OUTLINE DIMENSIONS (Units in mm)



PIN OUT

1. Collector Transistor 1
2. Base Transistor 2
3. Collector Transistor 2
4. Emitter Transistor 2
5. Emitter Transistor 1
6. Base Transistor 1

Note:

Pin 3 is identified with a circle on the bottom of the package.

ELECTRICAL CHARACTERISTICS (TA = 25°C)

PART NUMBER PACKAGE OUTLINE			UPA810T S06		
SYMBOLS	PARAMETERS AND CONDITIONS	UNITS	MIN	TYP	MAX
ICBO	Collector Cutoff Current at VCB = 10 V, IE = 0	μA			1.0
IEBO	Emitter Cutoff Current at VEB = 1 V, IC = 0	μA			1.0
hFE ¹	Forward Current Gain at VCE = 3 V, IC = 7 mA		70	120	250
fr	Gain Bandwidth at VCE = 3 V, IC = 7 mA	GHz	3.0	4.5	
Cre ²	Feedback Capacitance at VCB = 3 V, IE = 0, f = 1 MHz	pF		0.7	1.5
IS _{21EI} ²	Insertion Power Gain at VCE = 3 V, IC = 7 mA, f = 1 GHz	dB	7	9	
NF	Noise Figure at VCE = 3 V, IC = 7 mA, f = 1 GHz	dB		1.2	2.5
hFE1/hFE2	hFE Ratio: hFE1 = Smaller Value of Q1, or Q2 hFE2 = Larger Value of Q1 or Q2		0.85		

Notes: 1. Pulsed measurement, pulse width ≤ 350 μs, duty cycle ≤ 2 %.

2. The emitter terminal should be connected to the ground terminal of the 3 terminal capacitance bridge.

For Tape and Reel version use part number UPA810T-T1, 3K per reel.

The information in this document is subject to change without notice. Before using this document, please confirm that this is the latest version.

ABSOLUTE MAXIMUM RATINGS¹ (T_A = 25°C)

SYMBOLS	PARAMETERS	UNITS	RATINGS
V _{CBO}	Collector to Base Voltage	V	20
V _{CEO}	Collector to Emitter Voltage	V	12
V _{EBO}	Emitter to Base Voltage	V	3
I _C	Collector Current	mA	100
P _T	Total Power Dissipation 1 Die 2 Die	mW mW	110 200
T _J	Junction Temperature	°C	150
T _{STG}	Storage Temperature	°C	-65 to +150

Note: 1. Operation in excess of any one of these parameters may result in permanent damage.

ORDERING INFORMATION (Solder Contains Lead)

PART NUMBER	QUANTITY	PACKAGING
UPA810T	Loose Products (50 pcs)	Embossed tape 8mm wide. Pin 6 (Q1 Base), Pin 5 (Q1 Emmitter) Pin 4 (Q2 Emitter) face to perforation side of tape
UPA810T-T1	Taping products (3 KPCS/Reel)	

ORDERING INFORMATION (Pb-Free)

PART NUMBER	QUANTITY	PACKAGING
UPA810T-A	Loose Products (50 pcs)	Embossed tape 8mm wide. Pin 6 (Q1 Base), Pin 5 (Q1 Emmitter) Pin 4 (Q2 Emitter) face to perforation side of tape
UPA810T-T1-A	Taping products (3 KPCS/Reel)	

Life Support Applications

These NEC products are not intended for use in life support devices, appliances, or systems where the malfunction of these products can reasonably be expected to result in personal injury. The customers of CEL using or selling these products for use in such applications do so at their own risk and agree to fully indemnify CEL for all damages resulting from such improper use or sale.

CEL California Eastern Laboratories, Your source for NEC RF, Microwave, Optoelectronic, and Fiber Optic Semiconductor Devices.
4590 Patrick Henry Drive • Santa Clara, CA 95054-1817 • (408) 919-2500 • FAX (408) 988-0279 • www.cel.com

DATA SUBJECT TO CHANGE WITHOUT NOTICE

Subject: Compliance with EU Directives

CEL certifies, to its knowledge, that semiconductor and laser products detailed below are compliant with the requirements of European Union (EU) Directive 2002/95/EC Restriction on Use of Hazardous Substances in electrical and electronic equipment (RoHS) and the requirements of EU Directive 2003/11/EC Restriction on Penta and Octa BDE.

CEL Pb-free products have the same base part number with a suffix added. The suffix –A indicates that the device is Pb-free. The –AZ suffix is used to designate devices containing Pb which are exempted from the requirement of RoHS directive (*). In all cases the devices have Pb-free terminals. All devices with these suffixes meet the requirements of the RoHS directive.

This status is based on CEL’s understanding of the EU Directives and knowledge of the materials that go into its products as of the date of disclosure of this information.

Restricted Substance per RoHS	Concentration Limit per RoHS (values are not yet fixed)	Concentration contained in CEL devices	
		-A	-AZ
Lead (Pb)	< 1000 PPM	Not Detected	(*)
Mercury	< 1000 PPM	Not Detected	
Cadmium	< 100 PPM	Not Detected	
Hexavalent Chromium	< 1000 PPM	Not Detected	
PBB	< 1000 PPM	Not Detected	
PBDE	< 1000 PPM	Not Detected	

If you should have any additional questions regarding our devices and compliance to environmental standards, please do not hesitate to contact your local representative.

Important Information and Disclaimer: Information provided by CEL on its website or in other communications concerning the substance content of its products represents knowledge and belief as of the date that it is provided. CEL bases its knowledge and belief on information provided by third parties and makes no representation or warranty as to the accuracy of such information. Efforts are underway to better integrate information from third parties. CEL has taken and continues to take reasonable steps to provide representative and accurate information but may not have conducted destructive testing or chemical analysis on incoming materials and chemicals. CEL and CEL suppliers consider certain information to be proprietary, and thus CAS numbers and other limited information may not be available for release.

In no event shall CEL's liability arising out of such information exceed the total purchase price of the CEL part(s) at issue sold by CEL to customer on an annual basis.

See CEL Terms and Conditions for additional clarification of warranties and liability.

Copyright © Each Manufacturing Company.

All Datasheets cannot be modified without permission.

This datasheet has been download from :

www.AllDataSheet.com

100% Free DataSheet Search Site.

Free Download.

No Register.

Fast Search System.

www.AllDataSheet.com