

TOSHIBA

TA1287P/F

TOSHIBA BIPOLAR LINEAR INTEGRATED CIRCUIT SILICON MONOLITHIC

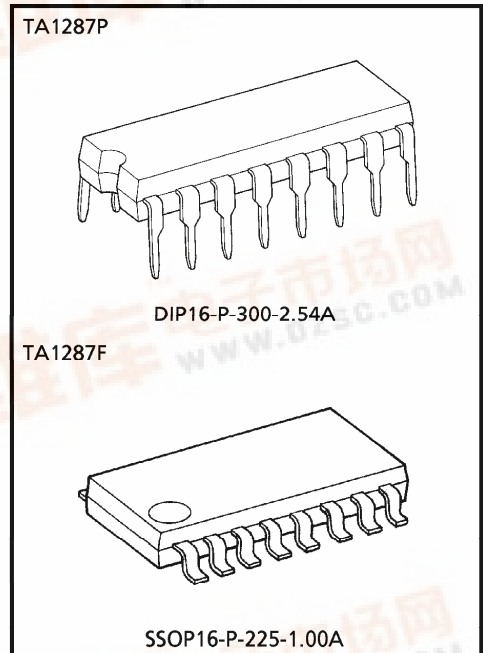
TA1287P, TA1287F

RGB TO YUV/IQ HIGH-SPEED MATRIX IC

TA1287P, TA1287F are a high-speed switching IC which have 2-channel inputs circuit and a RGB to YUV/IQ matrix circuit. Another feature, TA1287P, TA1287F have a signals mixing circuit, which are enable to mix a main signal with an external input signal and outputs the mixed signal. The mixing circuit has 8 combinations of mixing gain ratio of a main to an external signals, which is controlled by high-speed switch.

FEATURES

- RGB to YUV/IQ matrix circuit
- The mixing circuit for a main signal and an external signal
- The high-speed switching circuit of a main signal an external signal
- Band width : 30 MHz at -3 dB point



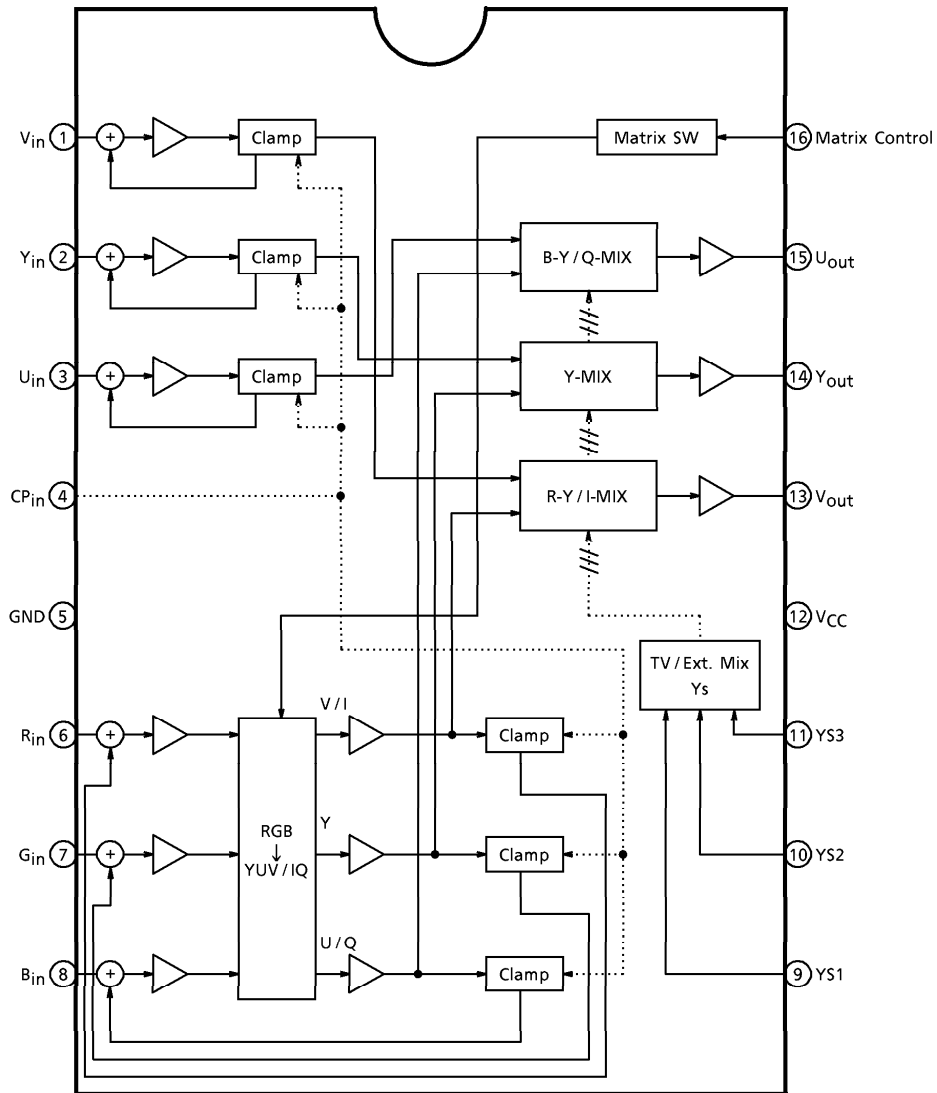
Weight
 DIP16-P-300-2.54A : 1.0 g (Typ.)
 SSOP16-P-225-1.00A : 0.14 g (Typ.)

980910EBA1

- TOSHIBA is continually working to improve the quality and the reliability of its products. Nevertheless, semiconductor devices in general can malfunction or fail due to their inherent electrical sensitivity and vulnerability to physical stress. It is the responsibility of the buyer, when utilizing TOSHIBA products, to observe standards of safety, and to avoid situations in which a malfunction or failure of a TOSHIBA product could cause loss of human life, bodily injury or damage to property. In developing your designs, please ensure that TOSHIBA products are used within specified operating ranges as set forth in the most recent products specifications. Also, please keep in mind the precautions and conditions set forth in the TOSHIBA Semiconductor Reliability Handbook.
- The products described in this document are subject to the foreign exchange and foreign trade laws.
- The information contained herein is presented only as a guide for the applications of our products. No responsibility is assumed by TOSHIBA CORPORATION for any infringements of intellectual property or other rights of the third parties which may result from its use. No license is granted by implication or otherwise under any intellectual property or other rights of TOSHIBA CORPORATION or others.
- The information contained herein is subject to change without notice.

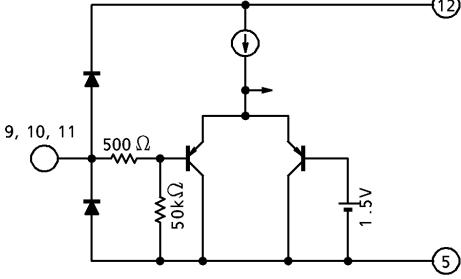
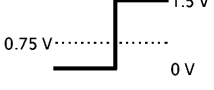
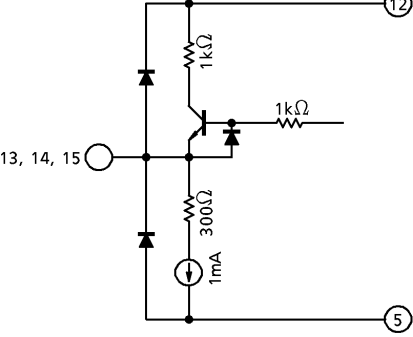
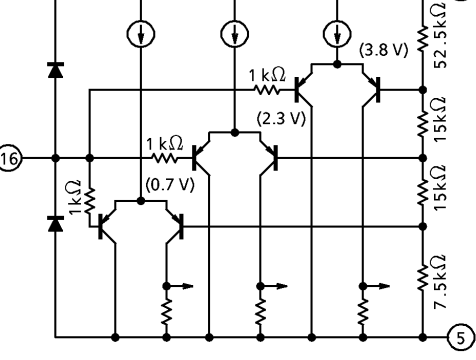


BLOCK DIAGRAM



TERMINAL FUNCTIONS

PIN No.	PIN NAME	FUNCTION	INTERFACE CIRCUIT	INPUT / OUTPUT SIGNAL
1	V _{IN}	Input R-Y (V) or R signal through a clamping capacitor.		DC: 6.2 V Y : 1 V _{p-p} (with sync) U / V : 0.3 V _{p-p} (B : C = 1 : 1) R / G / B : 0.7 V _{p-p} (100% white)
2	Y _{IN}	Input Y or G signal through a clamping capacitor.		
3	U _{IN}	Input B-Y (U) or B signal through a clamping capacitor.		
4	CP _{IN}	Input clamping pulse. Threshold : 0.75 V		
5	GND	GND.	—	—
6	R _{IN}	Input R or R-Y (V) signal through clamping capacitor.		DC: 6.2 V Y : 1V _{p-p} (with sync) U / V : 0.3 V _{p-p} (B : C = 1 : 1) R / G / B : 0.7 V _{p-p} (100% white)
7	G _{IN}	Input G or Y signal through a clamping capacitor.		
8	B _{IN}	Input B or B-Y (U) signal through a clamping capacitor.		

PIN No.	PIN NAME	FUNCTION	INTERFACE CIRCUIT	INPUT / OUTPUT SIGNAL
9 10 11	YS1, 2, 3	Selector to switch mixing ratios. Threshold : 0.75 V		
12	VCC	Supply 9 V.	—	DC : 9 V
13	V _{OUT}	Outputs R-Y (V) or R signal.		DC : 4.7 V Y : 1 V _{p-p} (with sync) U/V : 0.3 V _{p-p} (B : C = 1 : 1) R/G/B : 0.7 V _{p-p} (100% color bar)
14	Y _{OUT}	Outputs Y or G signal.		
15	U _{OUT}	Outputs B-Y (U) or B signal.		
16	Matrix Control	This terminal's voltage control the matrix coefficient for output signals. Selects the output mode.		RGB → YIQ : 3.8 V RGB → YUV (NTSC) : 2.3 V RGB → YUV (PAL) : 0.7 V Through : 0 V

FUNCTION DESCRIPTION

MIXING RATIO

TA1287P, TA1287F have a circuit, which mixes a main signal with an external input signal and outputs the mixed signal. The mixing circuit has 8 combinations of mixing gain ratio of a main to an external signals.

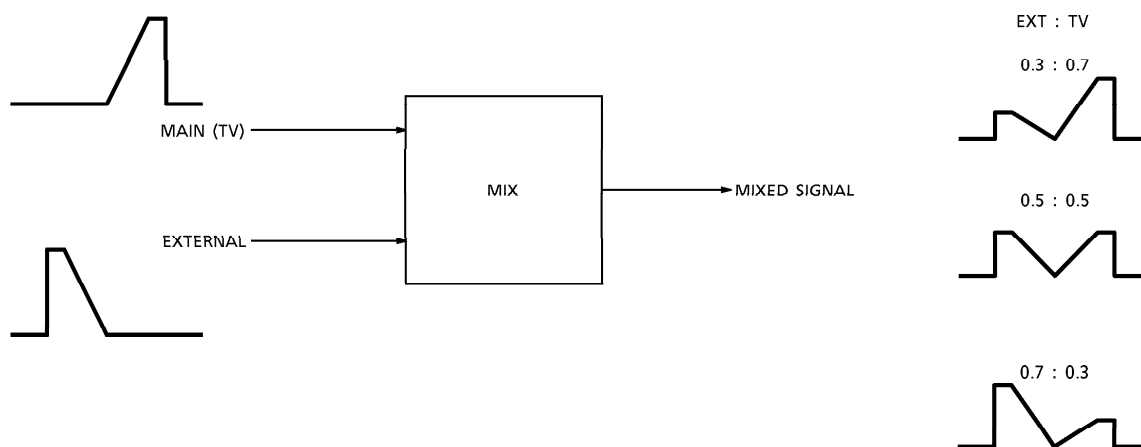


Table The mixing ratio of external to main (TV)

YS1	YS2	YS3	THE MIXING RATIO	
			EXTERNAL	MAIN (TV)
L	L	L	0	1
H	L	L	0.3	0.7
L	H	L	0.4	0.6
H	H	L	0.5	0.5
L	L	H	0.6	0.4
H	L	H	0.7	0.3
L	H	H	0.8	0.2
H	H	H	1	0

MATRIX CONTROL

Pin 16 is a high-speed switch to control the matrix mode for output signals.

Table Matrix mode depending on by the voltage of pin 16

VOLTAGE OF PIN 16 [V]	MODE
0~0.7	Through
~2.3	RGB → YUV (PAL)
~3.8	RGB → YUV (NTSC)
3.8~	RGB → YIQ

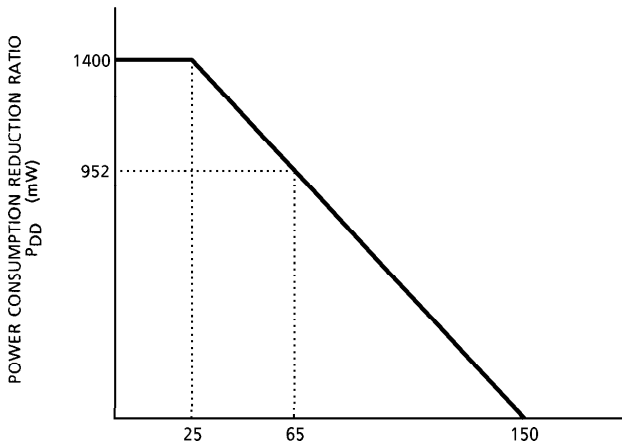
MAXIMUM RATINGS (Ta = 25°C)

CHARACTERISTIC		SYMBOL	RATING	UNIT
Supply Voltage		V _{CCmax}	14	V
Signal Voltage at Each Input Pin		e _{inmax}	9	V _{p-p}
Power Consumption	TA1287P	P _{DD} (Note 1)	1400	mW
	TA1287F	P _{DF} (Note 1)	641	
Power Consumption Reduction Ratio	TA1287P	1 / θ _{jaD}	- 11.2	mW / °C
	TA1287F	1 / θ _{jaF}	- 5.13	
Operating Temperature		T _{opr}	- 20 ~ 65	°C
Storage Temperature		T _{stg}	- 55 ~ 150	°C

(Note 1) : Refer to the figure below.

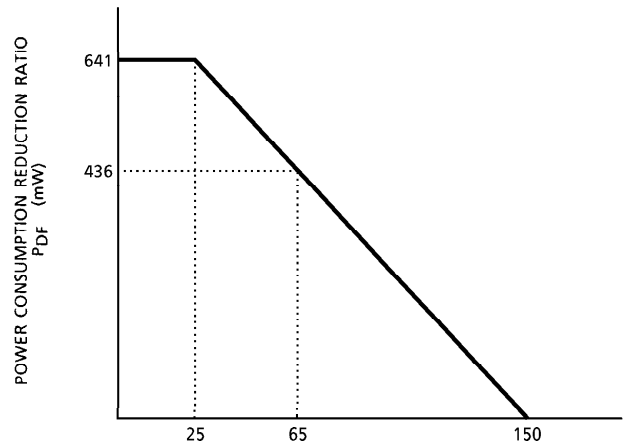
(Note 2) : It is possible that TA1287F function faultily caused by leak problems according to a field intensity from CRT.

Put IC lay-out position to CRT be far more than 20 cm. If there is not a enough distance, intercept it by a shield.



AMBIENT TEMPERATURE Ta (°C)

(a) TA1287P



AMBIENT TEMPERATURE Ta (°C)

(b) TA1287F

Fig. Power consumption reduction against ambient temperature

RECOMMENDED OPERATING CONDITIONS

CHARACTERISTIC	DESCRIPTION	MIN.	TYP.	MAX.	UNIT
Supply Voltage	Pin 12	8.1	9.0	9.9	V
Y Input Signal Level	White : 100% with sync.	—	1.0	—	V _{p-p}
U Input Signal Level	B : C = 1 : 1	—	300	—	mV _{p-p}
V Input Signal Level	B : C = 1 : 1	—	300	—	mV _{p-p}
R Input Signal Level	100% white	—	700	—	mV _{p-p}
G Input Signal Level	100% white	—	700	—	mV _{p-p}
B Input Signal Level	100% white	—	700	—	mV _{p-p}
CP Input Level	Pin 4	1.1	1.5	5.0	V
YS1, YS2, YS3, Input Level	Pin 9, 10, 11	1.1	1.5	5.0	V

ELECTRICAL CHARACTERISTICS (V_{CC} = 9 V and Ta = 25°C, unless otherwise specified)

Current consumption

PIN NAME	SYMBOL	TEST CIRCUIT	MIN.	TYP.	MAX.	UNIT
V _{CC}	I _{CC}	—	20.0	26.0	32.0	mA

Terminal voltages

PIN No.	PIN NAME	SYMBOL	TEST CIRCUIT	MIN.	TYP.	MAX.	UNIT
1	V _{IN}	V ₁	—	6.0	6.2	6.4	V
2	Y _{IN}	V ₂	—	6.0	6.2	6.4	
3	U _{IN}	V ₃	—	6.0	6.2	6.4	
6	R _{IN}	V ₆	—	6.0	6.2	6.4	
7	G _{IN}	V ₇	—	6.0	6.2	6.4	
8	B _{IN}	V ₈	—	6.0	6.2	6.4	
13	V _{OUT}	V ₁₃	—	4.5	4.7	4.9	
14	Y _{OUT}	V ₁₄	—	4.5	4.7	4.9	
15	U _{OUT}	V ₁₅	—	4.5	4.7	4.9	

AC CHARACTERISTICS

CHARACTERISTIC	SYMBOL	TEST CIR-CUIT	TEST CONDITION	MIN.	TYP.	MAX.	UNIT
YUV Gain (Through Mode)	GTRY	—	(Note A ₁)	-0.5	0	0.5	dB
	GTY			-0.5	0	0.5	
	GTBY			-0.5	0	0.5	
RGB Gain (Through Mode)	GRR	—	(Note A ₂)	-0.5	0	0.5	dB
	GRG			-0.5	0	0.5	
	GRB			-0.5	0	0.5	
R Gain (Input to Pin 6) (Matrix Mode)	GRRYP	—	(Note A ₃)	-4.7	-4.2	-3.7	dB
	GRYP			-10.3	-9.8	-9.3	
	GRBYP			-17.3	-16.8	-16.3	
	GRRYN			-4.3	-3.8	-3.3	
	GRYN			-10.3	-9.8	-9.3	
	GRBYN			-18.4	-17.9	-17.4	
	GRRYI			-4.6	-4.1	-3.6	
	GRYI			-10.3	-9.8	-9.6	
	GRBYI			-13.0	-12.5	-12.0	
G Gain (Input to Pin 7) (Matrix Mode)	GGRYP	—	(Note A ₄)	-6.3	-5.8	-5.3	dB
	GGYP			-4.5	-4.0	-3.5	
	GGBYP			-11.5	-11.0	-10.5	
	GGRYN			-5.9	-5.4	-4.9	
	GGYN			-4.5	-4.0	-3.5	
	GGBYN			-10.9	-10.4	-9.9	
	GGRYI			-11.5	-11.0	-10.5	
	GGYI			-4.5	-4.0	-3.5	
	GGBYI			-5.6	-5.1	-4.6	
B Gain (Input to Pin 8) (Matrix Mode)	GBRYP	—	(Note A ₅)	-21.1	-20.6	-20.1	dB
	GBYP			-19.1	-18.6	-18.1	
	GBBYP			-7.7	-7.2	-6.7	
	GBRYN			-20.3	-19.8	-19.3	
	GBYN			-19.1	-18.6	-18.1	
	GBBYN			-7.9	-7.4	-6.9	
	GBRYI			-10.2	-9.7	-9.2	
	GBYI			-19.1	-18.6	-18.1	
	GBBYI			-10.7	-10.2	-9.7	
R-Y Gain (Input to Pin 1) (Matrix Mode)	GTRY73	—	(Note A ₆)	-3.7	-3.2	-2.7	dB
	GTRY64			-5.0	-4.5	-4.0	
	GTRY55			-6.6	-6.1	-5.6	
	GTRY46			-8.5	-8.0	-7.5	
	GTRY37			-11.0	-10.5	-10.0	
	GTRY28			-14.3	-13.8	-13.3	

CHARACTERISTIC	SYMBOL	TEST CIRCUIT	TEST CONDITION	MIN.	TYP.	MAX.	UNIT
Y Gain (Input to Pin 2) (Mixing Mode)	GTY73	—	(Note A7)	-3.7	-3.2	-2.7	dB
	GTY64			-5.0	-4.5	-4.0	
	GTY55			-6.6	-6.1	-5.6	
	GTY46			-8.5	-8.0	-7.5	
	GTY37			-11.0	-10.5	-10.0	
	GTY28			-14.3	-13.8	-13.3	
B-Y Gain (Input to Pin 3) (Mixing Mode)	GTBY73	—	(Note Ag)	-3.7	-3.2	-2.7	dB
	GTBY64			-5.0	-4.5	-4.0	
	GTBY55			-6.6	-6.1	-5.6	
	GTBY46			-8.5	-8.0	-7.5	
	GTBY37			-11.0	-10.5	-10.0	
	GTBY28			-14.3	-13.8	-13.3	
R Gain (Input to Pin 6) (Mixing Mode)	GRR37	—	(Note Ag)	-3.7	-3.2	-2.7	dB
	GRR46			-5.0	-4.5	-4.0	
	GRR55			-6.6	-6.1	-5.6	
	GRR64			-8.5	-8.0	-7.5	
	GRR73			-11.0	-10.5	-10.0	
	GRR82			-14.3	-13.8	-13.3	
G Gain (Input to Pin 7) (Mixing Mode)	GRG37	—	(Note A10)	-3.7	-3.2	-2.7	dB
	GRG46			-5.0	-4.5	-4.0	
	GRG55			-6.6	-6.1	-5.6	
	GRG64			-8.5	-8.0	-7.5	
	GRG73			-11.0	-10.5	-10.0	
	GRG82			-14.3	-13.8	-13.3	
B Gain (Input to Pin 8) (Mixing Mode)	GRB37	—	(Note A11)	-3.7	-3.2	-2.7	dB
	GRB46			-5.0	-4.5	-4.0	
	GRB55			-6.6	-6.1	-5.6	
	GRB64			-8.5	-8.0	-7.5	
	GRB73			-11.0	-10.5	-10.0	
	GRB82			-14.3	-13.8	-13.3	
YUV Input Dynamic Range (Through Mode)	DTV	—	(Note A12)	1.2	1.5	1.7	V _{p-p}
	DTY			1.2	1.5	1.7	
	DTU			1.2	1.5	1.7	
RGB Input Dynamic Range (Through Mode)	DRR	—	(Note A13)	1.2	1.5	1.7	V _{p-p}
	DRG			1.2	1.5	1.7	
	DRB			1.2	1.5	1.7	
R Input Dynamic Range (Input to Pin 6) (Matrix Mode)	DRP	—	(Note A14)	1.2	1.5	1.7	V _{p-p}
	DRNU			1.2	1.5	1.7	
	DRNI			1.2	1.5	1.7	
G Input Dynamic Range (Input to Pin 7) (Matrix Mode)	DGP	—	(Note A15)	1.2	1.5	1.7	V _{p-p}
	DGNU			1.2	1.5	1.7	
	DGNI			1.2	1.5	1.7	

CHARACTERISTIC	SYMBOL	TEST CIR-CUIT	TEST CONDITION	MIN.	TYP.	MAX.	UNIT
B Input Dynamic Range (Input to Pin 8) (Matrix Mode)	DBP	—	(Note A16)	1.2	1.5	1.7	V _{p-p}
	DBNU			1.2	1.5	1.7	
	DBNI			1.2	1.5	1.7	
YUV Input and Output Frequency Characteristic (At - 3 dB Point) (Through Mode)	GfTRY	—	(Note A17)	30	—	—	MHz
	GfTY			30	—	—	
	GfTBY			30	—	—	
RGB Input and Output Frequency Characteristic (At - 3 dB Point) (Through Mode)	GfRR	—	(Note A18)	30	—	—	MHz
	GfRG			30	—	—	
	GfRB			30	—	—	
Ys Switching Delay Time	YsRYR	—	(Note A19)	—	25.0	40.0	ns
	YsRRY			—	20.0	40.0	
	YsYG			—	25.0	40.0	
	YsGY			—	20.0	40.0	
	YsBYB			—	25.0	40.0	
	YsBBY			—	20.0	40.0	
Crosstalk between Each Input	—	—	(Note A20)	—	- 50	- 40	dB

TEST CONDITION		TEST CONDITION (UNLESS OTHERWISE SPECIFIED, V _{CC} = 9 V and Ta = 25 ± 3°C)							MEASURING METHOD
		SW MODE							
NOTE	ITEM	SW9	SW10	SW11	SW16A	SW16B	SW16C		
								<Common test condition> ① V _{CC} = 9 V and Ta = 25 ± 3°C. ② ALL switch modes are B, unless otherwise specified.	
A1	YUV Gain (Through Mode)	B	B	B	B	B	B	① Input Signal 1 into pin 4. ② Supply DC 0 V to YS1 (pin 9), YS2 (pin 10), YS (pin 11). ③ Input Signal 2 (f ₀ = 100 kHz, V ₀ = 0.2 V _{p-p}) into V-IN (pin 1, SW ₁ = A). ④ Measure the amplitude of V-OUT at pin 13. Calculate the gain. (GTRY) ⑤ Calculate gains of Y-IN to Y-OUT and U-IN to U-OUT, in the same way as ③ to ④. GTY : Y-IN (pin 2) → Y-OUT (pin 14) GTBY : U-IN (pin 3) → U-OUT (pin 15)	
A2	RGB Gain (Through Mode)	A	A	A	B	B	B	① Calculate gains against R, G and B, in the same way as NOTE A1. GRR : SW ₆ = A, R-IN (pin 6) → V-OUT (pin 13) GRG : SW ₇ = A, R-IN (pin 7) → Y-OUT (pin 14) GRB : SW ₈ = A, R-IN (pin 8) → U-OUT (pin 15)	

NOTE	ITEM	TEST CONDITION (UNLESS OTHERWISE SPECIFIED, V _{CC} = 9V and Ta = 25 ± 3°C)								MEASURING METHOD
		SW MODE								
		SW ₉	SW ₁₀	SW ₁₁	SW _{16A}	SW _{16B}	SW _{16C}			
A3	R Gain (Input to Pin 6) (Matrix Mode)	A	A	A	B	B	B	A	A	① Calculate gains against each item, in the same way as NOTE A1. (PAL) GRRYP : R-IN (pin 6) → V-OUT (pin 13) GRYP : R-IN (pin 6) → Y-OUT (pin 14) GRBYP : R-IN (pin 6) → U-OUT (pin 15) (NTSC, UV) GRRYN : R-IN (pin 6) → V-OUT (pin 13) GRYN : R-IN (pin 6) → Y-OUT (pin 14) GRBYN : R-IN (pin 6) → U-OUT (pin 15) (NTSC, IQ) GRRYI : R-IN (pin 6) → V-OUT (pin 13) GRYI : R-IN (pin 6) → Y-OUT (pin 14) GRBYI : R-IN (pin 6) → U-OUT (pin 15)

NOTE	ITEM	TEST CONDITION (UNLESS OTHERWISE SPECIFIED, V _{CC} = 9 V and Ta = 25 ± 3°C)								MEASURING METHOD
		SW MODE								
		SW9	SW10	SW11	SW16A	SW16B	SW16C			
A4	G Gain (Input to Pin 7) (Matrix Mode)	A	A	A	B	B	B	A	A	① Calculate gains against each item, in the same way as NOTE A1. (PAL) GGYP : G-IN (pin 7) → V-OUT (pin 13) GGYP : G-IN (pin 7) → Y-OUT (pin 14) GGBYP : G-IN (pin 7) → U-OUT (pin 15) (NTSC, UV) GGRYN : G-IN (pin 7) → V-OUT (pin 13) GGYN : G-IN (pin 7) → Y-OUT (pin 14) GGBYN : G-IN (pin 7) → U-OUT (pin 15) (NTSC, IQ) GGRIY : G-IN (pin 7) → V-OUT (pin 13) GGIY : G-IN (pin 7) → Y-OUT (pin 14) GGBIY : G-IN (pin 7) → U-OUT (pin 15)

NOTE	ITEM	TEST CONDITION (UNLESS OTHERWISE SPECIFIED, V _{CC} = 9V and Ta = 25 ± 3°C)						MEASURING METHOD
		SW MODE						
		SW9	SW10	SW11	SW16A	SW16B	SW16C	
A5	B Gain (Input to Pin 8) (Matrix Mode)	A	A	A	B	B	A	① Calculate gains against each item, in the same way as NOTE A1. (PAL) GGRYP : B-IN (pin 8) → V-OUT (pin 13) GGYB : B-IN (pin 8) → Y-OUT (pin 14) GGBYP : B-IN (pin 8) → U-OUT (pin 15) (NTSC, UV) GGRYN : B-IN (pin 8) → V-OUT (pin 13) GGYN : B-IN (pin 8) → Y-OUT (pin 14) GGBYN : B-IN (pin 8) → U-OUT (pin 15) (NTSC, IQ) GGRIY : B-IN (pin 8) → V-OUT (pin 13) GGIY : B-IN (pin 8) → Y-OUT (pin 14) GGBIY : B-IN (pin 8) → U-OUT (pin 15)

NOTE	ITEM	TEST CONDITION (UNLESS OTHERWISE SPECIFIED, VCC = 9 V and Ta = 25 ± 3°C)										MEASURING METHOD
		SW MODE										
		SWg	SWj0	SWj1	SW16A	SW16B	SW16C					
A6	R-Y Gain (Input to Pin 1) (Mixing Mode)	A B A B A B	B A A B B A	B B A A A	B B A A A	B B A A A	B B A A A	B B A A A	B B A A A	B B A A A	B	① Input Signal into pin 4. ② Supply DC 0V to YS1 (pin 9), YS2 (pin 10), YS3 (pin 11). ③ Input Signal 2 (f ₀ = 100 kHz, V ₀ = 0.2 Vp-p) into V-IN (pin 1, SW ₁ = A). ④ Measure each amplitude of output signal from V-OUT (pin 13) in each SW MODE. Calculate the gains.
A7	Y Gain (Input to Pin 2) (Mixing Mode)	A B A B A B	B A A B B A	B B A A A	B B A A A	B B A A A	B B A A A	B B A A A	B B A A A	B B A A A	B	① Calculate gains of Y-IN (pin 2) to Y-OUT (pin 14), in the same way as NOTE A6. (SW ₂ = A)
A8	B-Y Gain (Input to Pin 3) (Mixing Mode)	A B A B A B	B A A B B A	B B A A A	B B A A A	B B A A A	B B A A A	B B A A A	B B A A A	B B A A A	B	① Calculate gains of U-IN (pin 3) to Y-OUT (pin 15), in the same way as NOTE A6. (SW ₃ = A)
A9	R Gain (Input to Pin 6) (Mixing Mode)	A B A B A B	B A A B B A	B B A A A	B B A A A	B B A A A	B B A A A	B B A A A	B B A A A	B B A A A	B	① Calculate gains of R-IN (pin 6) to V-OUT (pin 13), in the same way as NOTE A6. (SW ₆ = A)
A10	G Gain (Input to Pin 7) (Mixing Mode)	A B A B A B	B A A B B A	B B A A A	B B A A A	B B A A A	B B A A A	B B A A A	B B A A A	B B A A A	B	① Calculate gains of G-IN (pin 7) to Y-OUT (pin 14), in the same way as NOTE A6. (SW ₇ = A)

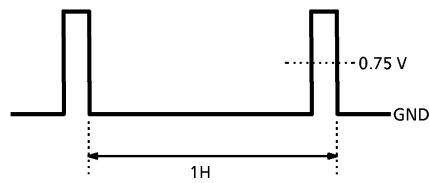
NOTE	ITEM	TEST CONDITION (UNLESS OTHERWISE SPECIFIED, V _{CC} = 9V and Ta = 25 ± 3°C)							MEASURING METHOD
		SW MODE							
		SW ₉	SW ₁₀	SW ₁₁	SW _{16A}	SW _{16B}	SW _{16C}		
A11	B Gain (Input to Pin 8) (Mixing Mode)	A B A B A B	B A A B B A	B B B A A A	B B B A A A	B B B A A A	B	① Calculate gains of B-IN (pin 8) to U-OUT (pin 15), in the same way as NOTE A ₆ . (SW ₈ = A)	
A12	YUV Input Dynamic Range (Through Mode)	B	B	B	B	B	B	① Input Signal into pin 4. ② Supply DC 0V to YS1 (pin 9), YS2 (pin 10), YS3 (pin 11). ③ Input Signal 2 (f ₀ = 100 kHz, V ₀ = 0.2 V _{p-p}) into V-IN (pin 1, SW ₁ = A). ④ Increase the amplitude of input-signal 2 gradually. Measure the biggest amplitude of input-signal 2 without any distortion on V-OUT wave shape. (DTRY) ⑤ Measure in the same way as ③ to ④ for Y-IN (pin 2, SW ₂ = A) and U-IN (pin 3, SW ₃ = A), DTY : Y-IN (pin 2) → Y-OUT (pin 14) DTBY : U-IN (pin 3) → U-OUT (pin 15)	
A13	RGB Input Dynamic Range (Through Mode)	B	B	B	B	B	B	① Measure in the same way as NOTE A ₁₂ for R-IN (pin 6, SW ₆ = A) G-IN (pin 7, SW = A) and B-IN (pin 8, SW ₈ = A).	
A14	R Input Dynamic Range (Input to Pin 6) (Matrix Mode)	A	A	A	B A A	B B A	A A A	① For each combination of SW _{16A} , 16B and 16C, measure each item in the same way as ① to ④ of NOTE A ₁₂ . (SW ₆ = A, R-IN (pin 6) → V-OUT (pin 13)) DRP : PAL DRNU : NTSC, UV DRNI : NTSC, IQ	

NOTE	ITEM	TEST CONDITION (UNLESS OTHERWISE SPECIFIED, V _{CC} = 9 V and Ta = 25 ± 3°C)										MEASURING METHOD
		SW MODE										
		SW9	SW10	SW11	SW16A	SW16B	SW16C					
A15	G Input Dynamic Range (Input to Pin 7) (Matrix Mode)	A	A	A	B	B	A	A	A	A	A	① Measure each item in the same way as NOTE A14. (SW7 = A, G-IN (pin 7) → Y-OUT (pin 14)) DGP : PAL DGNU : NTSC, UV DGNU : NTSC, UV DGNI : NTSC, IQ
A16	B Input Dynamic Range (Input to Pin 8) (Matrix Mode)	A	A	A	B	B	A	A	A	A	A	① Measure each item in the same way as NOTE A14 (SW8 = A, B-IN (pin 8) → U-OUT (pin 15)) DBP : PAL DBNU : NTSC, UV DBNI : NTSC, IQ
A17	YUV Input and Output Frequency Characteristic (At -3 dB Point) (Through Mode)	B	B	B	B	B	B	B	B	B	B	① Input Signal 1 into pin 4. ② Supply DC 0V to YS1 (pin 9), YS2 (pin 10), YS3 (pin 11). ③ Input Signal 2 (f ₀ = 30 MHz, V ₀ = 0.2 V _{p-p}) into V-IN (pin 1, SW ₁ = A). ④ Measure the amplitude during picture period on V-OUT (pin 13). ⑤ Calculate the frequency gain by using the following equation and v ₁₃ , which is measured as the output amplitude in NOTE A1. $G_{FTY} = 20 \log (v_{13-30 \text{ MHz}} / v_{13})$ ⑥ Calculate following items, in the same way as clause ⑤. GfTY : Y-IN (pin 2) → Y-OUT (pin 14) GfTBY : U-IN (pin 3) → U-OUT (pin 15)

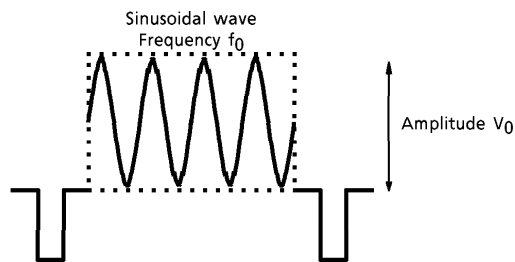
NOTE	ITEM	TEST CONDITION (UNLESS OTHERWISE SPECIFIED, V _{CC} = 9V and Ta = 25 ± 3°C)									
		SW MODE					MEASURING METHOD				
		SW ₉	SW ₁₀	SW ₁₁	SW _{16A}	SW _{16B}	SW _{16C}				
A18	RGB Input and Output Frequency Characteristic (At -3 dB Point) (Through Mode)	A	A	A	B	B	B	B	B	B	<ol style="list-style-type: none"> In the same way as NOTE A17, calculate items against R-IN (pin 6, SW₆ = A), G-IN (pin 7, SW₇ = A) and B-IN (pin 8, SW₈ = A). GfRR : R-IN (pin 6) → V-OUT (pin 13) GfRG : G-IN (pin 7) → Y-OUT (pin 14) GfRB : B-IN (pin 8) → U-OUT (pin 15)
A19	Ys Switching Delay Time	-	-	-	B	B	B	B	B	<ol style="list-style-type: none"> Input Signal 1 into pin 4. Input Signal 3 into R-IN (pin 6, SW₆ = A). Input Signal 4 into YS1 (pin 9), YS2 (pin 10), YS3 (pin 11). Measure (I) and (II) periods on V-OUT (pin 13). Measure in the same way as ② to ③ for G-IN (pin 7, SW₇ = A) and B-IN (pin 8, SW₈ = A). R-IN (I) : YsRYR (II) : YsRYR G-IN (I) : YsYG (II) : YsYG B-IN (I) : YsBYB (II) : YsBBY 	
A20	Crosstalk between Each Input	A or B	A or B	A or B	B	B	B	B	B	<ol style="list-style-type: none"> Input Signal into pin 4. Supply DC 0V to YS1 (pin 9), YS2 (pin 10), YS3 (pin 11). Input Signal 2 (f₀ = 4 MHz, V₀ = 0.5 V_{p-p}) into V-IN (pin 1, SW₁ = A). Changing SW₉, SW₁₀, and SW₁₁ against each case, measure each leak levels. Calculate the gains, input level to leak level. 	

TEST SIGNALS

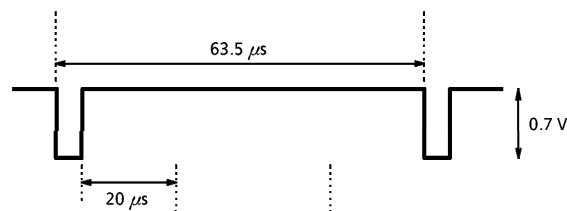
Signal 1



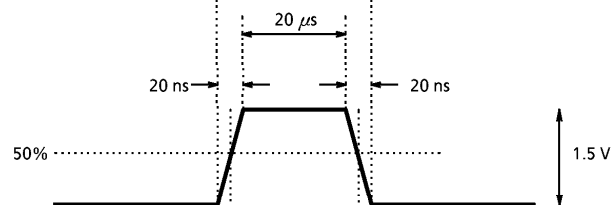
Signal 2



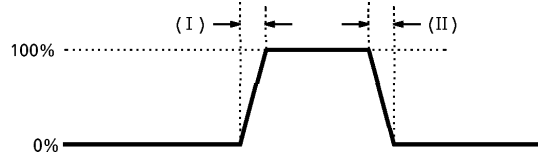
Signal 3



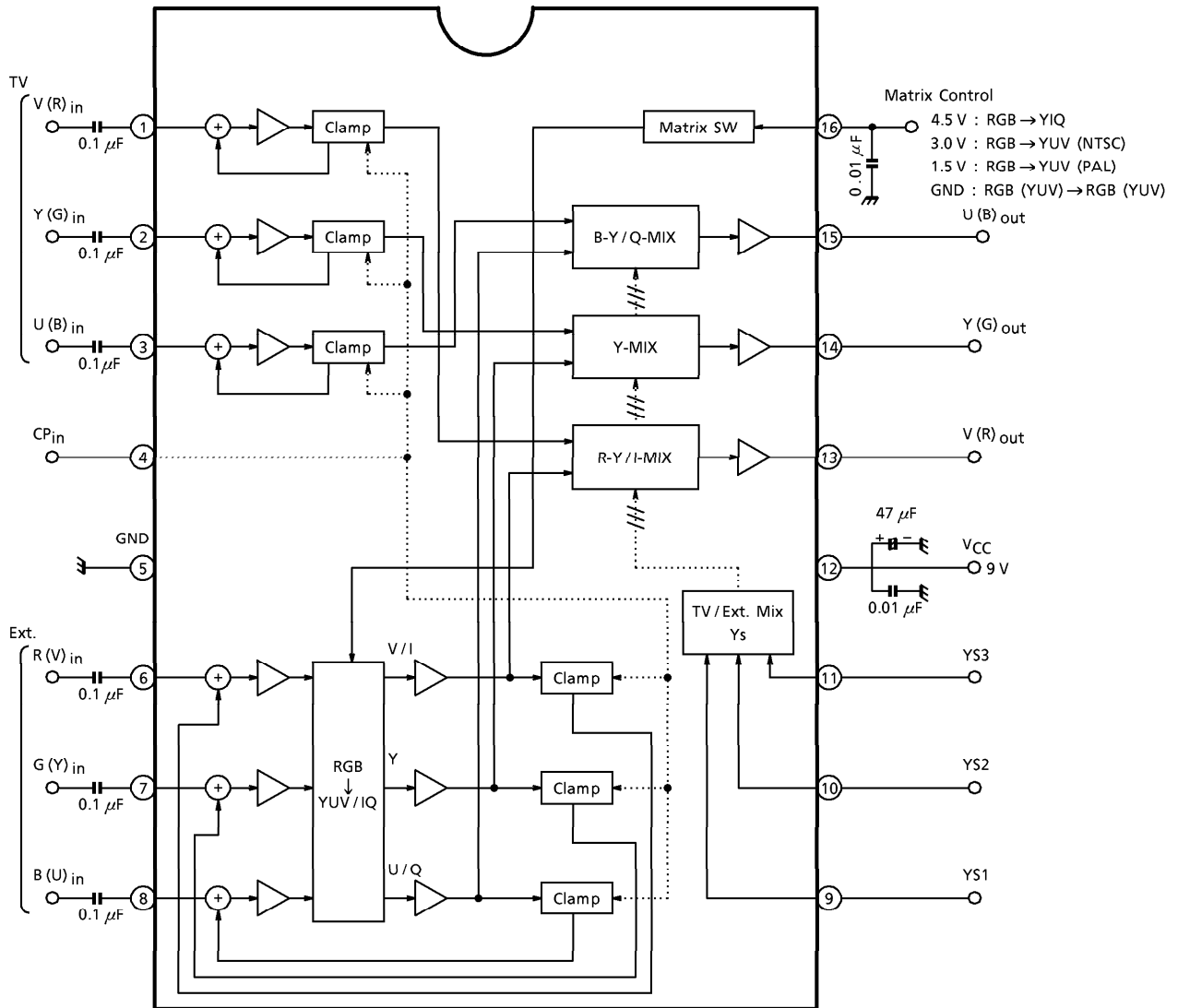
Signal 4



Output wave-form



APPLICATION CIRCUIT

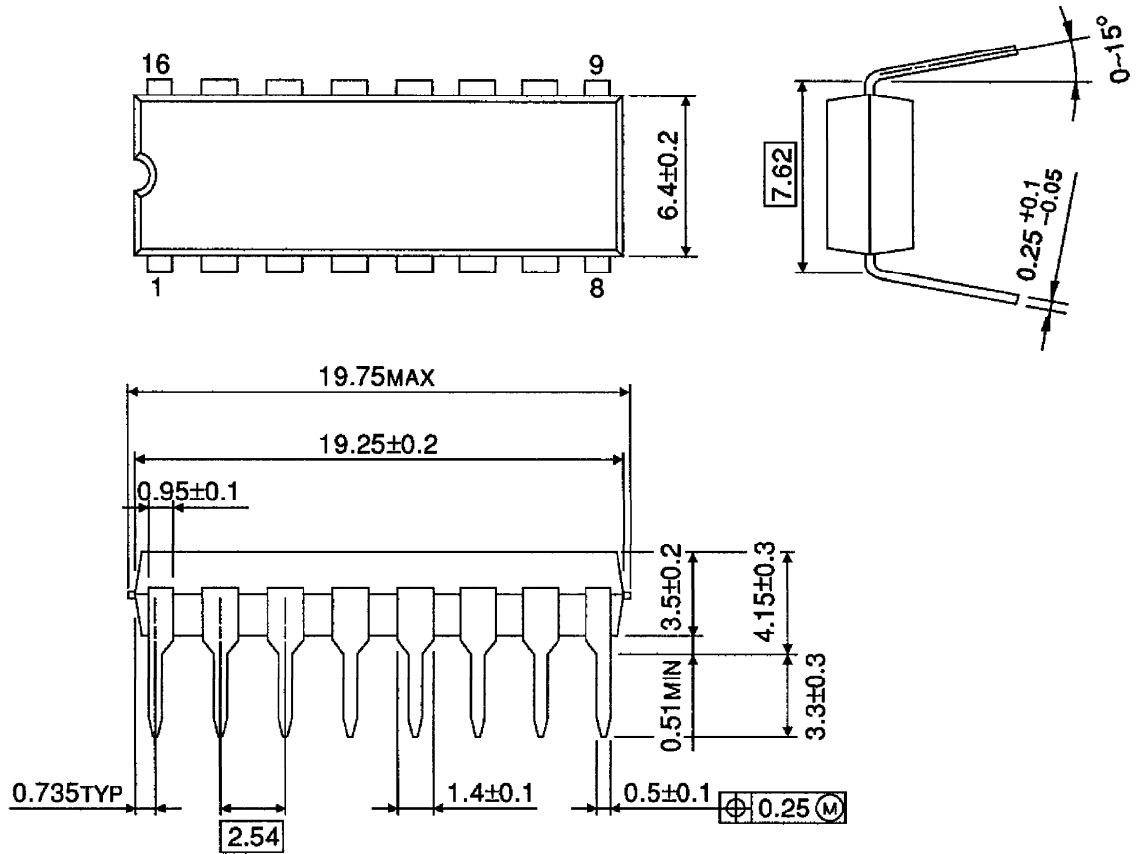


THE MIXING RATIO TABLE FOR EXTERNAL TO TV

Ys1	Ys2	Ys3	EXT : TV
L	L	L	0 : 1
H	L	L	0.3 : 0.7
L	H	L	0.4 : 0.6
H	H	L	0.5 : 0.5
L	L	H	0.6 : 0.4
H	L	H	0.7 : 0.3
L	H	H	0.8 : 0.2
H	H	H	1 : 0

OUTLINE DRAWING
DIP16-P-300-2.54A

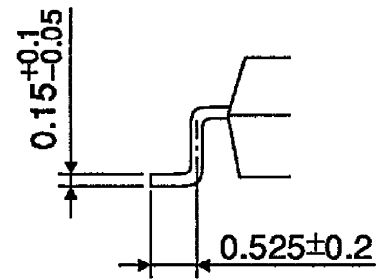
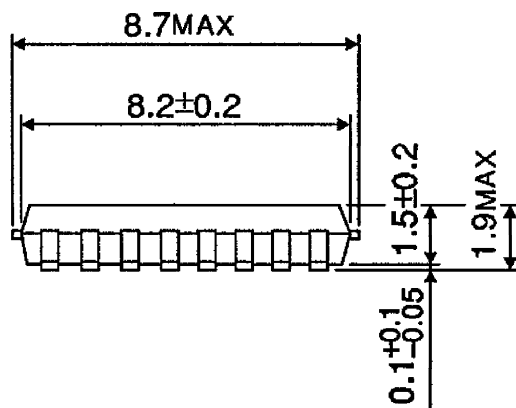
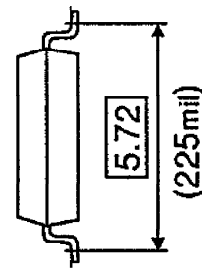
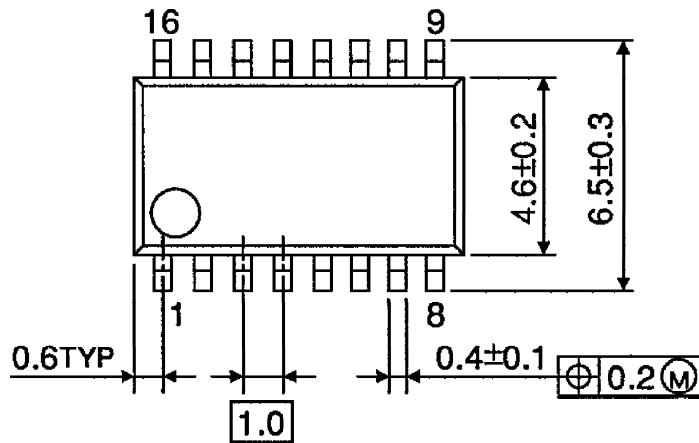
Unit : mm



Weight : 1.0 g (Typ.)

OUTLINE DRAWING
SSOP16-P-225-1.00A

Unit : mm



Weight : 0.14 g (Typ.)