

UTC TA7668BP LINEAR INTEGRATED CIRCUIT

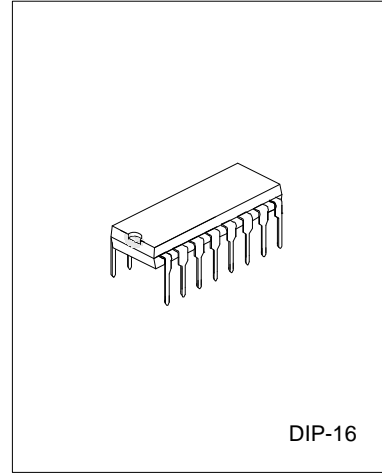
DUAL PRE-AMPLIFIER FOR TAPE RECORDER

DESCRIPTION

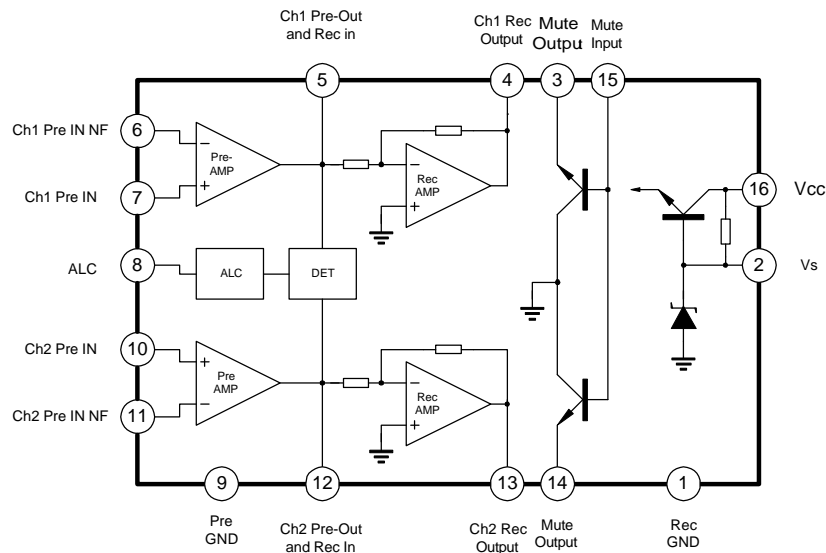
The UTC TA7668BP is a dual pre-amplifier with ALC and muting designed for use recorder/playback amplifier of tape recorder. It is suitable for a stereo set and a radio cassette recorder.

FEATURES

- *Build-in ALC detector circuit
- *Build-in muting circuit
- *Wide operating voltage range(6V to 15V)



BLOCK DIAGRAM



ABSOLUTE MAXIMUM RATING(Ta=25°C)

PARAMETER	SYMBOL	VALUE	UNIT
Supply Voltage	VCC	16	V
Power Dissipation	PD	750	mW
Operating Temperature	TOPR	-25~75	°C
Storage Temperature	TSTG	-55~150	°C

Note: De-rated above Ta=25°C in proportion of 6mW/°C.

UTC TA7668BP LINEAR INTEGRATED CIRCUIT

DC VOLTAGE ($V_{CC}=9V, T_a=25^\circ C$, no input signal)

PIN NO.	SYMBOL	VALUE	UNIT
1	V1	0	V
2	V2	8.2	V
3	V3	0	V
4	V4	3.3	V
5	V5	1.3	V
6	V6	1.3	V
7	V7	0	V
8	V8	0.9	V
9	V9	0	V
10	V10	0	V
11	V11	1.3	V
12	V12	1.3	V
13	V13	3.3	V
14	V14	0	V
15	V15	2.4	V
16	V16	9	V

ELECTRICAL CHARACTERISTICS ($T_a=25^\circ C, V_{CC}=9V, f=1kHz$, unless otherwise specified)

PARAMETER	SYMBOL	TEST CONDITIONS	MIN	TYP	MAX	UNIT
Quiescent Circuit Current	ICCQ	VIN=0		8.5	10.5	mA
PRE AMPLIFIER						
Open Loop Voltage Gain	GVO	VIN=-80dBm	65	78		dB
Maximum Output Voltage	VOM(1)	THD=1%	0.5	0.8		Vrms
Total Harmonic Distortion	THD(1)	VO=0.2Vrms		0.15	0.5	%
Output Noise Voltage	VNO	Rg=2.2K Ω , B.P.F., NAB, 30Hz~20kHz		0.26	0.6	mVrms
Cross Talk	C.T.	Rg=2.2K Ω	47	60		dB
REC AMPLIFIER						
Closed Loop Voltage Gain	GV	RL=10K Ω	12.7	14.7	16.7	dB
Maximum Output Voltage	VOM(2)	THD=1%	2	2.5		Vrms
Total Harmonic Distortion	THD(2)	VO=1.5Vrms		0.2		%
ALC Range	RALC	VIN=-60dBm, RIN=2.2K Ω		45		dB
Total Harmonic Distortion (ALC)	THD(ALC)	VIN=-20dBm, RIN=2.2K Ω , RL=10K Ω		0.3	1	%
ALC Voltage	VO(ALC)	VIN=-20dBm, RIN=2.2K Ω , RL=10K Ω	0.9	1.1	1.42	Vrms
Muting Attenuation	ATT		45	55		dB
ALC Balance	BALC	VIN=-20dBm		0	2	dB

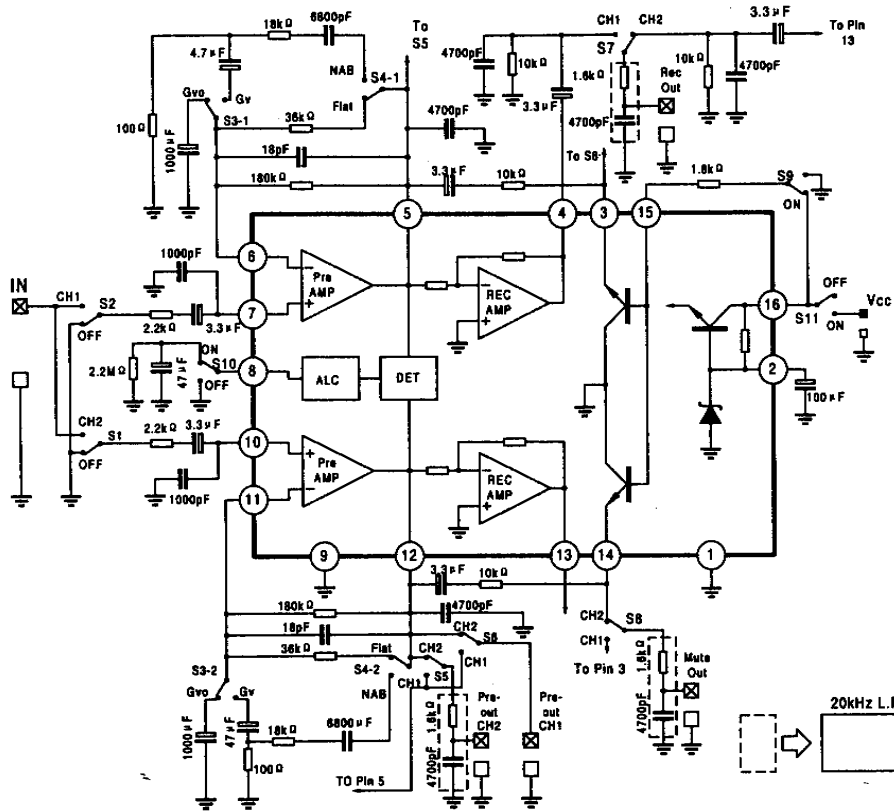
UTC TA7668BP LINEAR INTEGRATED CIRCUIT

TEST METHOD

SYMBOL	S1	S2	S3	S4	S5	S6	S7	S8	S9	S10	Measure Terminal
ICCQ	*	*	*	*	*	*	*	*	OFF	*	Vcc
GVO	OFF	CH1	GVO	FLAT	CH1	*	*	*	OFF	OFF	Pre-Out
VOM(1)	OFF	CH1	GV	NAB	CH1	*	*	*	OFF	OFF	Pre-Out
THD(1)	OFF	CH1	GV	NAB	CH1	*	*	*	OFF	OFF	Pre-Out
VNO	OFF	OFF	GV	NAB	CH2		*	*	OFF	OFF	Pre-Out
CT	OFF	CH1	GV	FLAT	CH1→CH2	*	*	*	OFF	OFF	Pre-Out
GV	OFF	CH1	GV	FLAT	CH1	*	CH1	CH2	OFF	OFF	Pre-Out→ Rec-Out
VOM(2)	OFF	CH1	GV	FLAT	CH2	*	CH1	CH2	OFF	OFF	Rec-Out
THD(2)	OFF	CH1	GV	FLAT	CH2	*	CH1	CH2	OFF	OFF	Rec-Out
RALC	OFF	CH1	GV	FLAT	CH2	*	CH1	CH2	OFF	ON	Rec-Out
THD(ALC)	OFF	CH1	GV	FLAT	CH2	*	CH1	CH2	OFF	ON	Rec-Out
VO(ALC)	OFF	CH1	GV	FLAT	CH2	*	CH1	CH2	OFF	ON	Rec-Out
ATT	OFF	CH1	GV	FLAT	CH1	*	*	CH1	OFF→ ON	OFF	Mute-Out
BALC	CH2	CH1→CH2	GV	FLAT	*	*	CH1→CH2	*	OFF	ON	Rec-Out

UTC TA7668BP LINEAR INTEGRATED CIRCUIT

TEST CIRCUIT



Copyright © Each Manufacturing Company.

All Datasheets cannot be modified without permission.

This datasheet has been download from :

www.AllDataSheet.com

100% Free DataSheet Search Site.

Free Download.

No Register.

Fast Search System.

www.AllDataSheet.com