

TOSHIBA

TA78DL05,06,08,09,10,12,15S

TOSHIBA BIPOLAR LINEAR INTEGRATED CIRCUIT SILICON MONOLITHIC
TA78DL05S, TA78DL06S, TA78DL08S, TA78DL09S
TA78DL10S, TA78DL12S, TA78DL15S

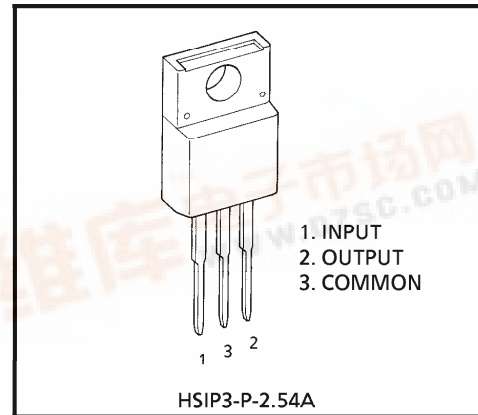
5V, 6V, 8V, 9V, 10V, 12V, 15V

LOW DROPOUT VOLTAGE REGULATOR.

The TA78DLx xS series consists of positive fixed output voltage regulator IC capable of sourcing current up to 250mA.

Due to the features of low dropout voltage and low standby current, these devices are useful for battery powered equipment.

This series includes current limiting, thermal shutdown, overvoltage protection, input fault protection and excessive transient protection circuits internally.

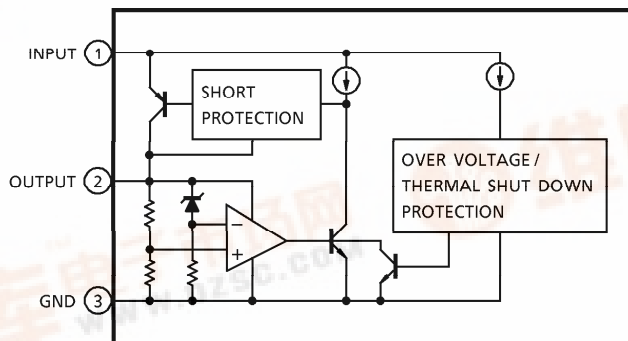


Weight : 1.7g (Typ.)

FEATURES

- Low Standby Current of 500 μ A Typical.
- Maximum Output Current Up to 250mA.
- Low Dropout Voltage of Less than 0.6V.
- Multi-protection
 - : Reverse Connection of Power Supply, 60V Load Dump, Thermal Shut Down and Current Limiting.
- Metal Fin (Tab) is Fully Covered with Mold Resin. (TO-220 NIS package)

BLOCK DIAGRAM



961001EBA2

● TOSHIBA is continually working to improve the quality and the reliability of its products. Nevertheless, semiconductor devices in general can malfunction or fail due to their inherent electrical sensitivity and vulnerability to physical stress. It is the responsibility of the buyer, when utilizing TOSHIBA products, to observe standards of safety, and to avoid situations in which a malfunction or failure of a TOSHIBA product could cause loss of human life, bodily injury or damage to property. In developing your designs, please ensure that TOSHIBA products are used within specified operating ranges as set forth in the most recent products specifications. Also, please keep in mind the precautions and conditions set forth in the TOSHIBA Semiconductor Reliability Handbook.

● The products described in this document are subject to foreign exchange and foreign trade control laws.

● The information contained herein is presented only as a guide for the applications of our products. No responsibility is assumed by TOSHIBA CORPORATION for any infringements of intellectual property or other rights of the third parties which may result from its use. No license is granted by implication or otherwise under any intellectual property or other rights of TOSHIBA CORPORATION or others.

● The information contained herein is subject to change without notice.



MAXIMUM RATINGS (Ta = 25°C)

CHARACTERISTIC	SYMBOL	RATING	UNIT
Operating Input Voltage	V _{IN}	29	V
Input Voltage of Surge	V _{IN}	60	V
Power Dissipation	P _D	(Ta = 25°C)	2
		(Tc = 25°C)	20
Operating Temperature	T _{opr}	-40~85	°C
Storage Temperature	T _{stg}	-55~150	°C
Thermal Resistance	R _{th(i-c)}	6.25	°C/W
	R _{th(j-a)}	62.5	
Storage Temperature·Time	T _{sol}	260 (10s)	°C

TA78DL05S

ELECTRICAL CHARACTERISTICS (Unless otherwise specified, V_{IN} = 14V, I_{OUT} = 10mA, T_j = 25°C)

CHARACTERISTIC	SYMBOL	TEST CIR-CUIT	TEST CONDITION	MIN.	TYP.	MAX.	UNIT
Output Voltage	V _{OUT}	—	5.35V ≤ V _{IN} ≤ 26V -40°C ≤ Ta ≤ 85°C	4.5	5.0	5.5	V
Line Regulation	ΔV _{OUT} (1)	—	9V ≤ V _{IN} ≤ 16V	—	2	10	mV
			6V ≤ V _{IN} ≤ 26V	—	4	30	
Load Regulation	ΔV _{OUT} (2)	—	10mA ≤ I _{OUT} ≤ 200mA	—	14	50	mV
Quiescent Current	I _{CC}	—	I _{OUT} ≤ 10mA, 6V ≤ V _{IN} ≤ 26V	—	0.5	1	mA
Dropout Voltage	V _{DROP}	—	I _{OUT} = 50mA	—	0.15	0.3	V
			I _{OUT} = 200mA	—	0.4	0.6	
Max. Operating Voltage	V _{IN}	—	—	29	33	—	V

TA78DL06S

ELECTRICAL CHARACTERISTICS (Unless otherwise specified, V_{IN} = 14V, I_{OUT} = 10mA, T_j = 25°C)

CHARACTERISTIC	SYMBOL	TEST CIR-CUIT	TEST CONDITION	MIN.	TYP.	MAX.	UNIT
Output Voltage	V _{OUT}	—	6.35V ≤ V _{IN} ≤ 26V -40°C ≤ Ta ≤ 85°C	5.4	6.0	6.6	V
Line Regulation	ΔV _{OUT} (1)	—	10V ≤ V _{IN} ≤ 17V	—	2	12	mV
			7V ≤ V _{IN} ≤ 26V	—	5	36	
Load Regulation	ΔV _{OUT} (2)	—	10mA ≤ I _{OUT} ≤ 200mA	—	17	60	mV
Quiescent Current	I _{CC}	—	I _{OUT} ≤ 10mA, 7V ≤ V _{IN} ≤ 26V	—	0.55	—	mA
Dropout Voltage	V _{DROP}	—	I _{OUT} = 50mA	—	0.15	0.3	V
			I _{OUT} = 200mA	—	0.4	0.6	
Max. Operating Voltage	V _{IN}	—	—	29	33	—	V

TA78DL08S

ELECTRICAL CHARACTERISTICS (Unless otherwise specified, $V_{IN} = 16V$, $I_{OUT} = 10mA$, $T_j = 25^\circ C$)

CHARACTERISTIC	SYMBOL	TEST CIR-CUIT	TEST CONDITION	MIN.	TYP.	MAX.	UNIT
Output Voltage	V_{OUT}	—	$8.35V \leq V_{IN} \leq 26V$ $-40^\circ C \leq T_a \leq 85^\circ C$	7.2	8	8.8	V
Line Regulation	$\Delta V_{OUT} (1)$	—	$12V \leq V_{IN} \leq 19V$	—	3	16	mV
			$9V \leq V_{IN} \leq 26V$	—	6	45	
Load Regulation	$\Delta V_{OUT} (2)$	—	$10mA \leq I_{OUT} \leq 200mA$	—	22	80	mV
Quiescent Current	I_{CC}	—	$I_{OUT} \leq 10mA$, $9V \leq V_{IN} \leq 26V$	—	0.6	—	mA
Dropout Voltage	V_{DROP}	—	$I_{OUT} = 50mA$	—	0.15	0.3	V
			$I_{OUT} = 200mA$	—	0.4	0.6	
Max. Operating Voltage	V_{IN}	—	—	29	33	—	V

TA78DL09S

ELECTRICAL CHARACTERISTICS (Unless otherwise specified, $V_{IN} = 16V$, $I_{OUT} = 10mA$, $T_j = 25^\circ C$)

CHARACTERISTIC	SYMBOL	TEST CIR-CUIT	TEST CONDITION	MIN.	TYP.	MAX.	UNIT
Output Voltage	V_{OUT}	—	$9.35V \leq V_{IN} \leq 26V$ $-40^\circ C \leq T_a \leq 85^\circ C$	8.1	9	9.9	V
Line Regulation	$\Delta V_{OUT} (1)$	—	$13V \leq V_{IN} \leq 20V$	—	3	18	mV
			$10V \leq V_{IN} \leq 26V$	—	7	50	
Load Regulation	$\Delta V_{OUT} (2)$	—	$10mA \leq I_{OUT} \leq 200mA$	—	25	90	mV
Quiescent Current	I_{CC}	—	$I_{OUT} \leq 10mA$, $10V \leq V_{IN} \leq 26V$	—	0.65	—	mA
Dropout Voltage	V_{DROP}	—	$I_{OUT} = 50mA$	—	0.15	0.3	V
			$I_{OUT} = 200mA$	—	0.4	0.6	
Max. Operating Voltage	V_{IN}	—	—	29	33	—	V

TA78DL10S

ELECTRICAL CHARACTERISTICS (Unless otherwise specified, $V_{IN} = 16V$, $I_{OUT} = 10mA$, $T_j = 25^\circ C$)

CHARACTERISTIC	SYMBOL	TEST CIR-CUIT	TEST CONDITION	MIN.	TYP.	MAX.	UNIT
Output Voltage	V_{OUT}	—	$10.35V \leq V_{IN} \leq 26V$ $-40^\circ C \leq T_a \leq 85^\circ C$	9	10	11	V
Line Regulation	$\Delta V_{OUT} (1)$	—	$14V \leq V_{IN} \leq 21V$	—	4	20	mV
			$11V \leq V_{IN} \leq 26V$	—	8	60	
Load Regulation	$\Delta V_{OUT} (2)$	—	$10mA \leq I_{OUT} \leq 200mA$	—	28	100	mV
Quiescent Current	I_{CC}	—	$I_{OUT} \leq 10mA$, $11V \leq V_{IN} \leq 26V$	—	0.7	—	mA
Dropout Voltage	V_{DROP}	—	$I_{OUT} = 50mA$	—	0.15	0.3	V
			$I_{OUT} = 200mA$	—	0.4	0.6	
Max. Operating Voltage	V_{IN}	—	—	29	33	—	V

TA78DL12S

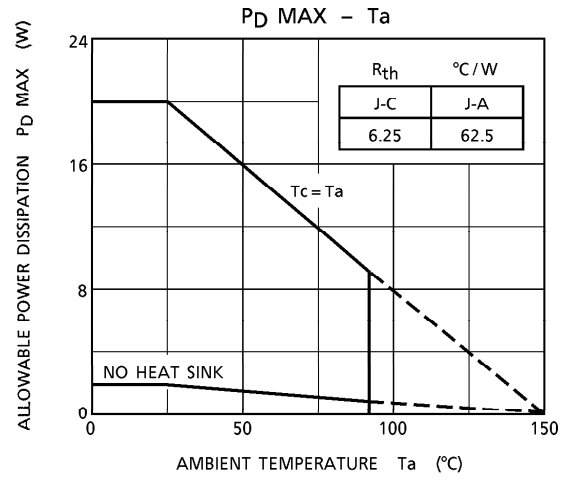
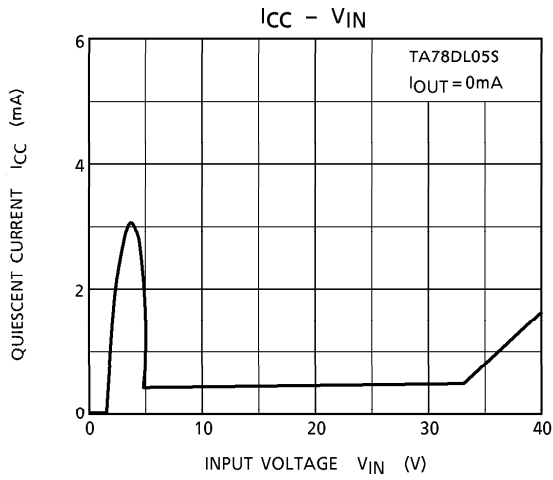
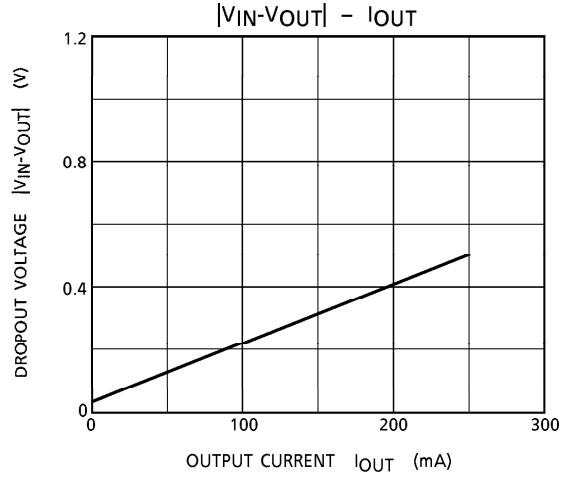
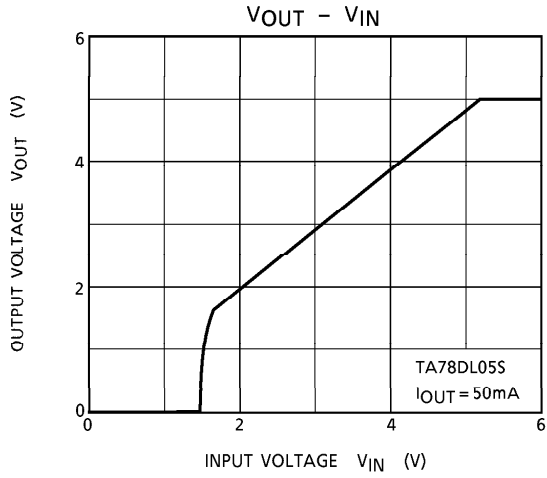
ELECTRICAL CHARACTERISTICS (Unless otherwise specified, $V_{IN} = 18V$, $I_{OUT} = 10mA$, $T_j = 25^\circ C$)

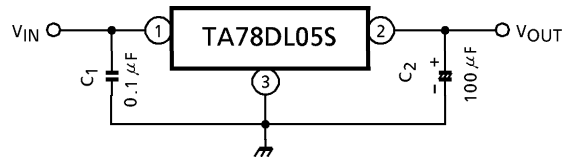
CHARACTERISTIC	SYMBOL	TEST CIR-CUIT	TEST CONDITION	MIN.	TYP.	MAX.	UNIT
Output Voltage	V_{OUT}	—	$12.35V \leq V_{IN} \leq 26V - 40^\circ C \leq T_a \leq 85^\circ C$	10.8	12	13.2	V
Line Regulation	$\Delta V_{OUT} (1)$	—	$16V \leq V_{IN} \leq 23V$	—	5	24	mV
			$13V \leq V_{IN} \leq 26V$	—	10	70	
Load Regulation	$\Delta V_{OUT} (2)$	—	$10mA \leq I_{OUT} \leq 200mA$	—	33	120	mV
Quiescent Current	I_{CC}	—	$I_{OUT} \leq 10mA, 13V \leq V_{IN} \leq 26V$	—	0.8	—	mA
Dropout Voltage	V_{DROP}	—	$I_{OUT} = 50mA$	—	0.15	0.3	V
			$I_{OUT} = 200mA$	—	0.4	0.6	
Max. Operating Voltage	V_{IN}	—	—	29	33	—	V

TA78DL15S

ELECTRICAL CHARACTERISTICS (Unless otherwise specified, $V_{IN} = 20V$, $I_{OUT} = 10mA$, $T_j = 25^\circ C$)

CHARACTERISTIC	SYMBOL	TEST CIR-CUIT	TEST CONDITION	MIN.	TYP.	MAX.	UNIT
Output Voltage	V_{OUT}	—	$15.35V \leq V_{IN} \leq 26V - 40^\circ C \leq T_a \leq 85^\circ C$	13.5	15	16.5	V
Line Regulation	$\Delta V_{OUT} (1)$	—	$19V \leq V_{IN} \leq 26V$	—	6	30	mV
			$16V \leq V_{IN} \leq 26V$	—	12	80	
Load Regulation	$\Delta V_{OUT} (2)$	—	$10mA \leq I_{OUT} \leq 200mA$	—	40	150	mV
Quiescent Current	I_{CC}	—	$I_{OUT} \leq 10mA, 16V \leq V_{IN} \leq 26V$	—	0.9	—	mA
Dropout Voltage	V_{DROP}	—	$I_{OUT} = 50mA$	—	0.15	0.3	V
			$I_{OUT} = 200mA$	—	0.4	0.6	
Max. Operating Voltage	V_{IN}	—	—	29	33	—	V



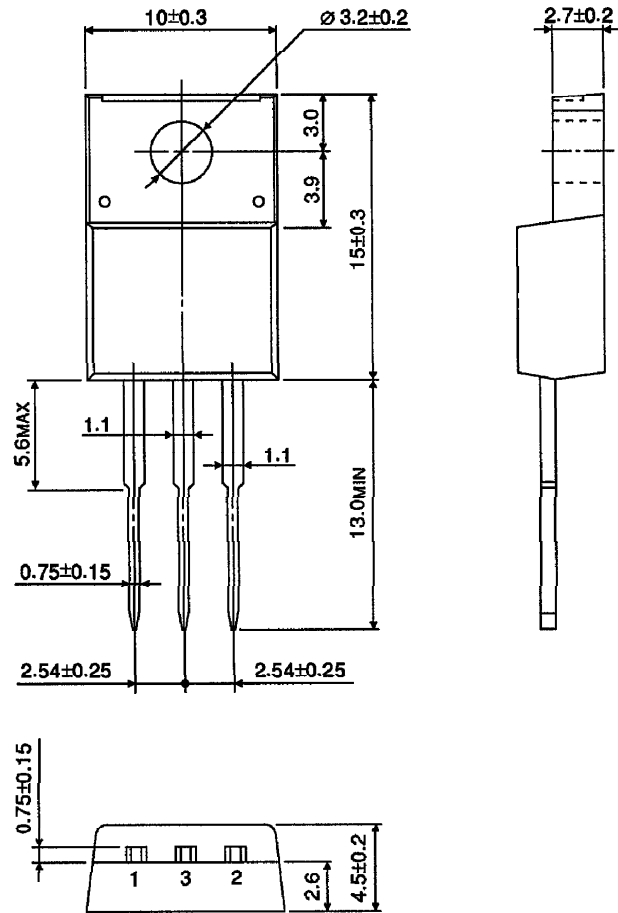
APPLICATION CIRCUITS

Capacitor C_2 must be guaranteed to operate of the temperature range that the regulator should be operated correctly.

100 μ F is a suitable value to suppress the oscillation phenomenon at the output terminal.

OUTLINE DRAWING
HSIP3-P-2.54A

Unit : mm



Weight : 1.7g (Typ.)