

TOSHIBA BIPOLAR LINEAR INTEGRATED CIRCUIT SILICON MONOLITHIC

TA8407P, TA8407F

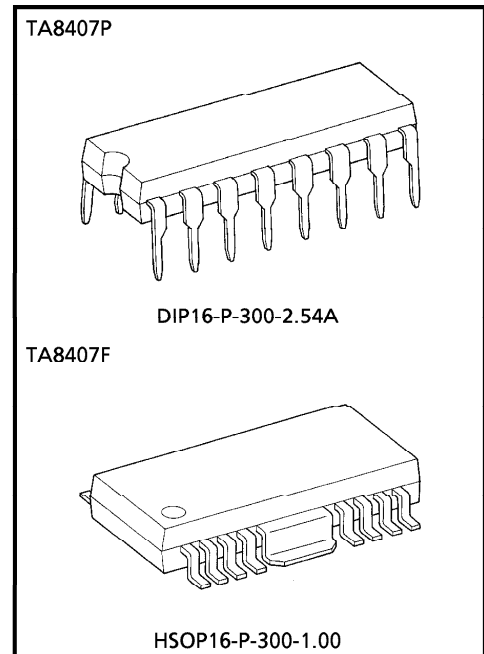
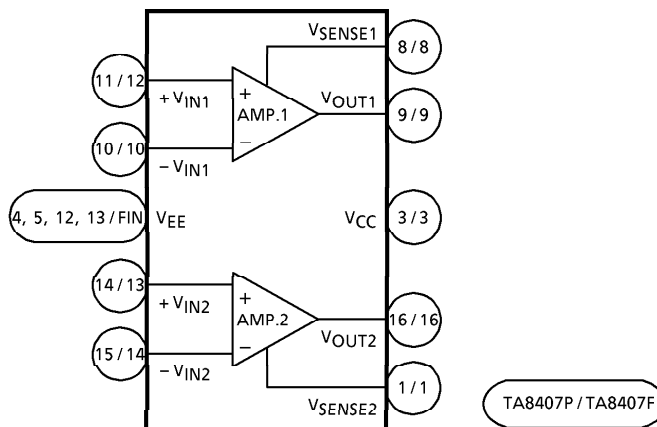
DUAL POWER OPERATIONAL AMPLIFIER

The TA8407P, TA8407F are dual power operational amplifier.
 It is intended for use especially DC MOTOR positioning system applications, such as Arm Driver (for Audiodisk Players), head or voice coil motor drivers (for Floppy and Winchester Disk Drivers) and any other power driver applications.

FEATURES

- Built-in over current protector
- Few external parts are required
- Output current up to 1.2A Max. (AVE)
- Excellent crosstalk characteristics

BLOCK DIAGRAM



Weight
 DIP16-P-300-2.54A : 1.0g (Typ.)
 HSOP16-P-300-1.00 : 0.5g (Typ.)

961001EBA2

● TOSHIBA is continually working to improve the quality and the reliability of its products. Nevertheless, semiconductor devices in general can malfunction or fail due to their inherent electrical sensitivity and vulnerability to physical stress. It is the responsibility of the buyer, when utilizing TOSHIBA products, to observe standards of safety, and to avoid situations in which a malfunction or failure of a TOSHIBA product could cause loss of human life, bodily injury or damage to property. In developing your designs, please ensure that TOSHIBA products are used within specified operating ranges as set forth in the most recent products specifications. Also, please keep in mind the precautions and conditions set forth in the TOSHIBA Semiconductor Reliability Handbook.

PIN FUNCTION
TA8407P

PIN No.	SYMBOL	FUNCTION DESCRIPTION
1	VSENSE2	Amp.2 output current detection terminal.
2	NC	No connection.
3	VCC	Positive-side power supply terminal.
4	VEE	Negative-side power supply terminal.
5	VEE	Negative-side power supply terminal.
6	NC	No connection.
7	NC	No connection.
8	VSENSE1	Amp.1 output current detection terminal.
9	VOUT1	Amp.1 output terminal.
10	-VIN1	Amp.1 input terminal (-).
11	+VIN1	Amp.1 input terminal (+).
12	VEE	Negative-side power supply terminal.
13	VEE	Negative-side power supply terminal.
14	+VIN2	Amp.2 input terminal (+).
15	-VIN2	Amp.2 input terminal (-).
16	VOUT2	Amp.2 output terminal

TA8407F

PIN No.	SYMBOL	FUNCTION DESCRIPTION
1	VSENSE2	AMP.2 output current detection terminal.
2	NC	No connection.
3	VCC	Positive-side power supply terminal.
4	NC	No connection
5	NC	No connection
6	NC	No connection
7	NC	No connection
8	VSENSE1	AMP.1 output current detection terminal.
9	VOUT1	AMP.1 output terminal.
10	-VIN1	AMP.1 input terminal (-).
11	NC	No connection.
12	+VIN1	AMP.1 input terminal (+).
13	+VIN2	AMP.2 input terminal (+).
14	-VIN2	AMP.2 input terminal (-).
15	NC	No connection.
16	VOUT2	AMP.2 output terminal.
FIN	VEE	Negative-side power supply terminal.

961001EBA2'

- The products described in this document are subject to foreign exchange and foreign trade control laws.
- The information contained herein is presented only as a guide for the applications of our products. No responsibility is assumed by TOSHIBA CORPORATION for any infringements of intellectual property or other rights of the third parties which may result from its use. No license is granted by implication or otherwise under any intellectual property or other rights of TOSHIBA CORPORATION or others.
- The information contained herein is subject to change without notice.

MAXIMUM RATINGS (Ta = 25°C)

CHARACTERISTIC		SYMBOL	RATING	UNIT
Supply Voltage		V_{CC}, V_{EE}	± 18	V
Output Current		I_O (AVE.)	(Note 1) 1.2	A
Power Dissipation	TA8407P	P_D	(Note 2) 1.4	W
	TA8407P		(Note 3) 2.7	
Operating Temperature		T_{opr}	- 30~75	°C
Storage Temperature		T_{stg}	- 55~150	°C

(Note 1) $V_{CC} = 6V, V_{EE} = -6V$

(Note 2) No heat sink

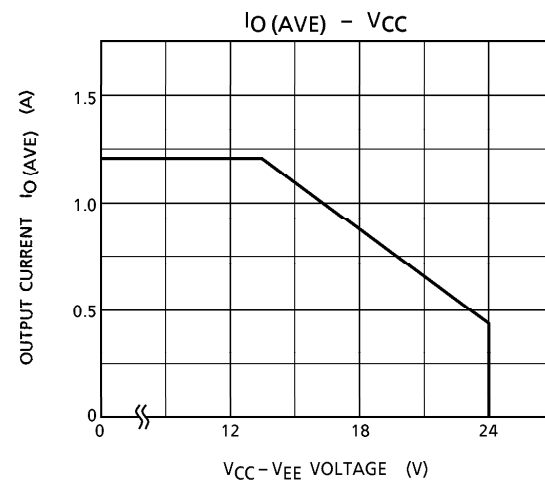
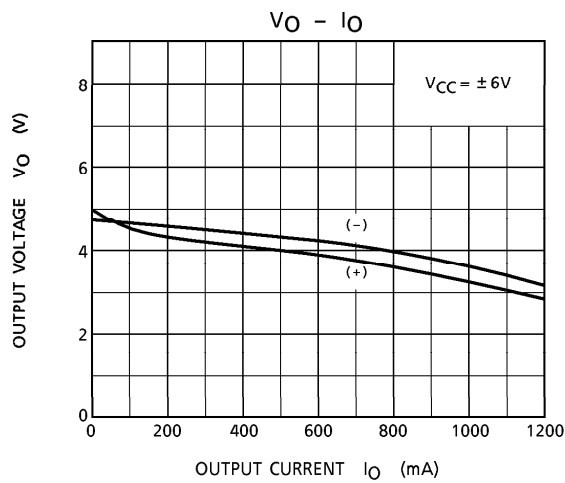
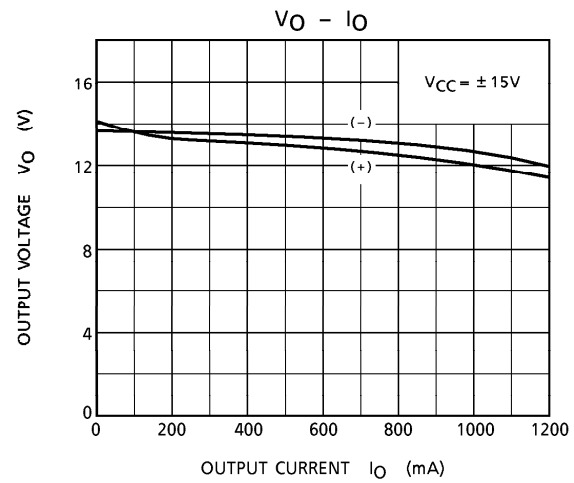
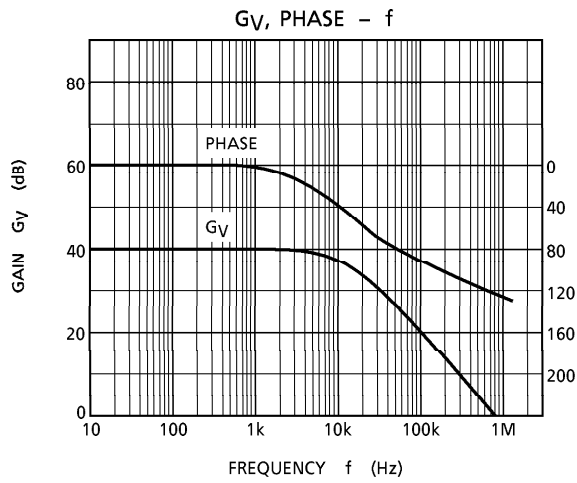
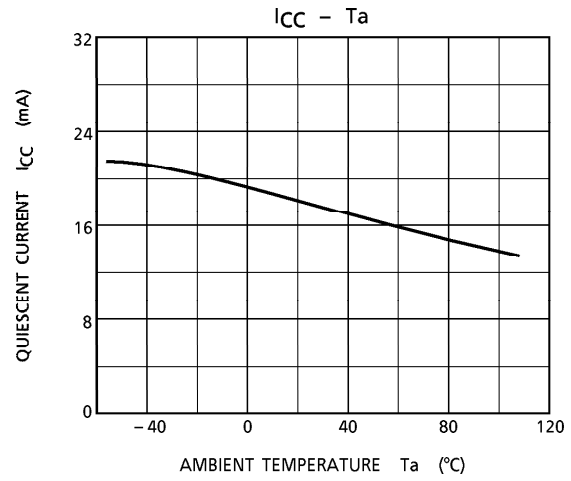
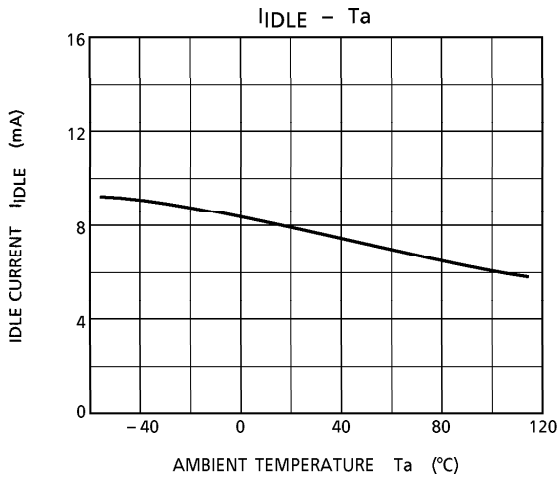
(Note 3) This value is obtained by 50×50×0.8mm PCB mounting occupied in excess of 60% of copper area.

(Note 4) This value is obtained by 60×30×1.6mm PCB mounting occupied in excess of 50% of copper area.

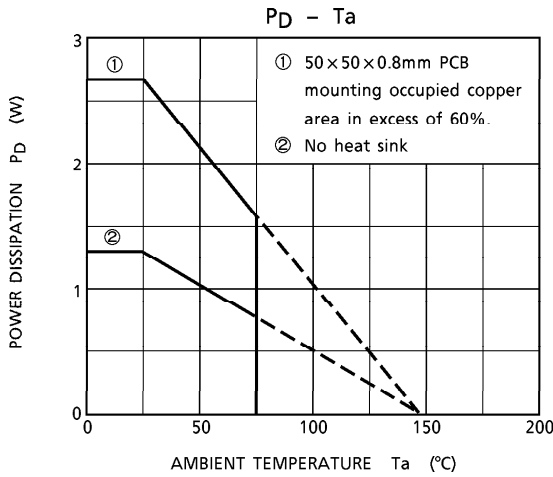
ELECTRICAL CHARACTERISTICS

(Unless otherwise specified, $V_{CC} = 15V, V_{EE} = -15V, T_a = 25^\circ C$)

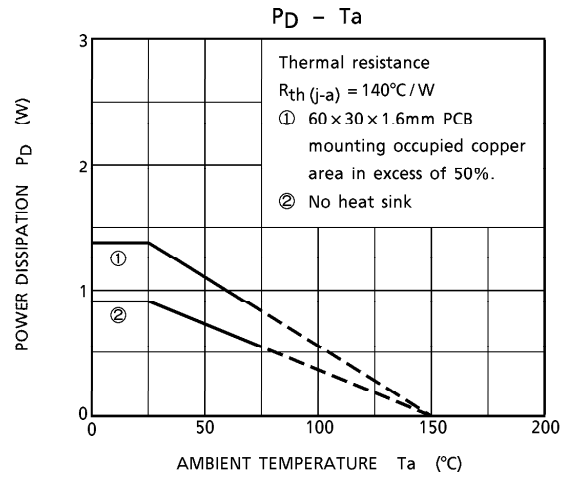
CHARACTERISTIC		SYMBOL	TEST CIRCUIT	TEST CONDITION	MIN.	TYP.	MAX.	UNIT
Quiescent Current		I_{CC}	—	—	—	20	35	mA
Input Off Set Current		I_{IO}	—	—	—	2	100	nA
Input Bias Current		I_I	—	—	—	50	300	nA
Input Off Set Voltage		V_{IO}	—	—	—	1.0	7.0	mV
Output Voltage Swing	Upper	V_{OH}	—	$V_{CC} = \pm 15V, I_O = 1A$	11.5	12.1	—	V
	Lower	V_{OL}	—		- 11.5	- 12.3	—	
	Upper	V_{OH}	—	$V_{CC} = \pm 6V, I_O = 1A$	2.2	3.3	—	V
	Lower	V_{OL}	—		- 2.2	- 3.7	—	
Open Loop Gain		G_{VO}	—	—	—	90	—	dB
Input Common Mode Voltage Range		CMR	—	—	—	± 14	—	
Common Mode Rejection Ratio		CMRR	—	—	—	95	—	dB
Supply Voltage Rejection Ratio		SVRR	—	—	—	45	150	$\mu V/V$
Slew Rate		SR	—	—	—	0.4	—	V/ μs
Short Circuit Current		I_{SC}	—	$R_{SC} = 0.68\Omega$	0.8	1.0	—	A
Cross Talk		CT	—	—	—	60	—	dB



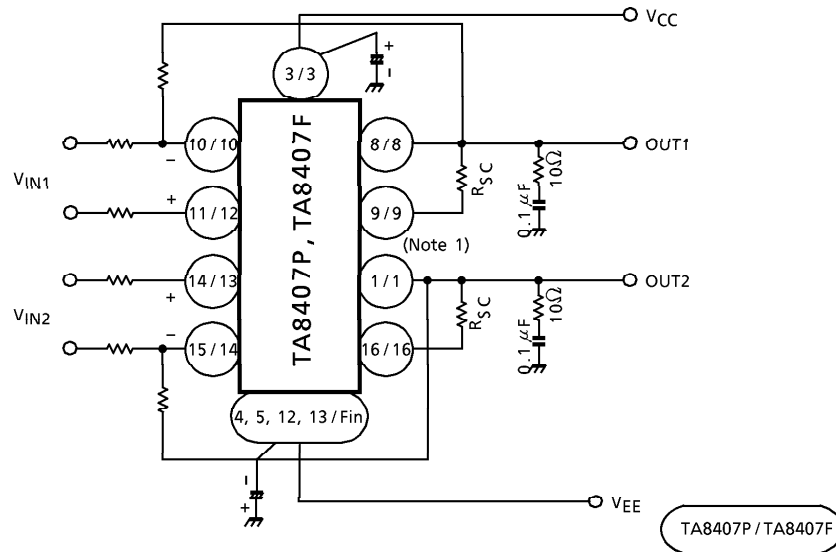
TA8407P



TA8407F



APPLICATION CIRCUIT 1.

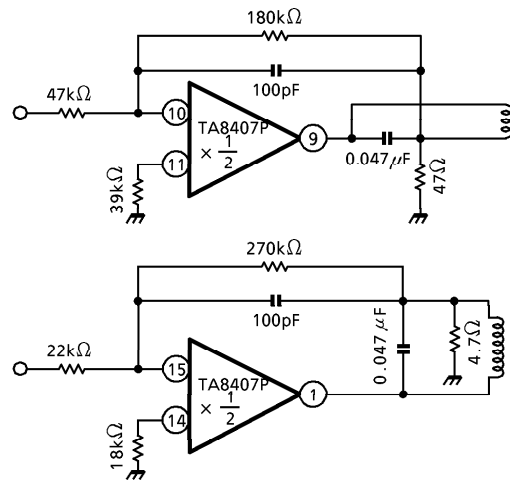


(Note 1) $I_{SC} \doteq \frac{0.7(V)}{R_{SC}(\Omega)} (A)$

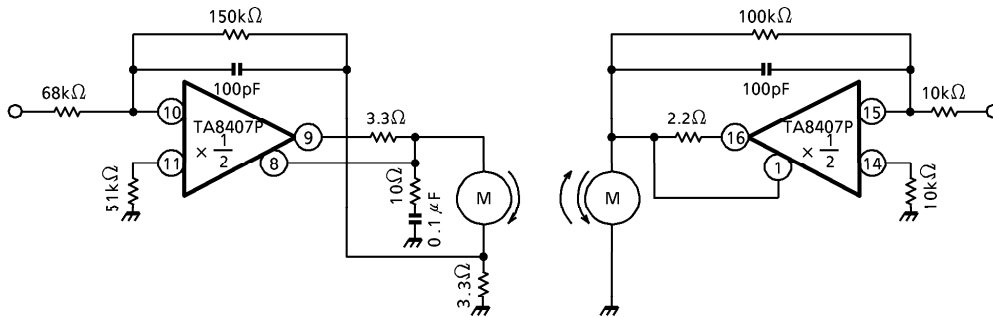
(Note 2) If crosstalk is recognizable remarkably in applications above 80kHz, change a capacitor to one having a value of about 0.33μF as a compensating circuit. Further, no resistor is needed in this case.

(Note 3) Utmost care is necessary in the design of the output line, VCC and GND line since IC may be destroyed due to short-circuit between outputs, air contamination fault, or fault by improper grounding.

APPLICATION CIRCUIT 2. (Actuator)

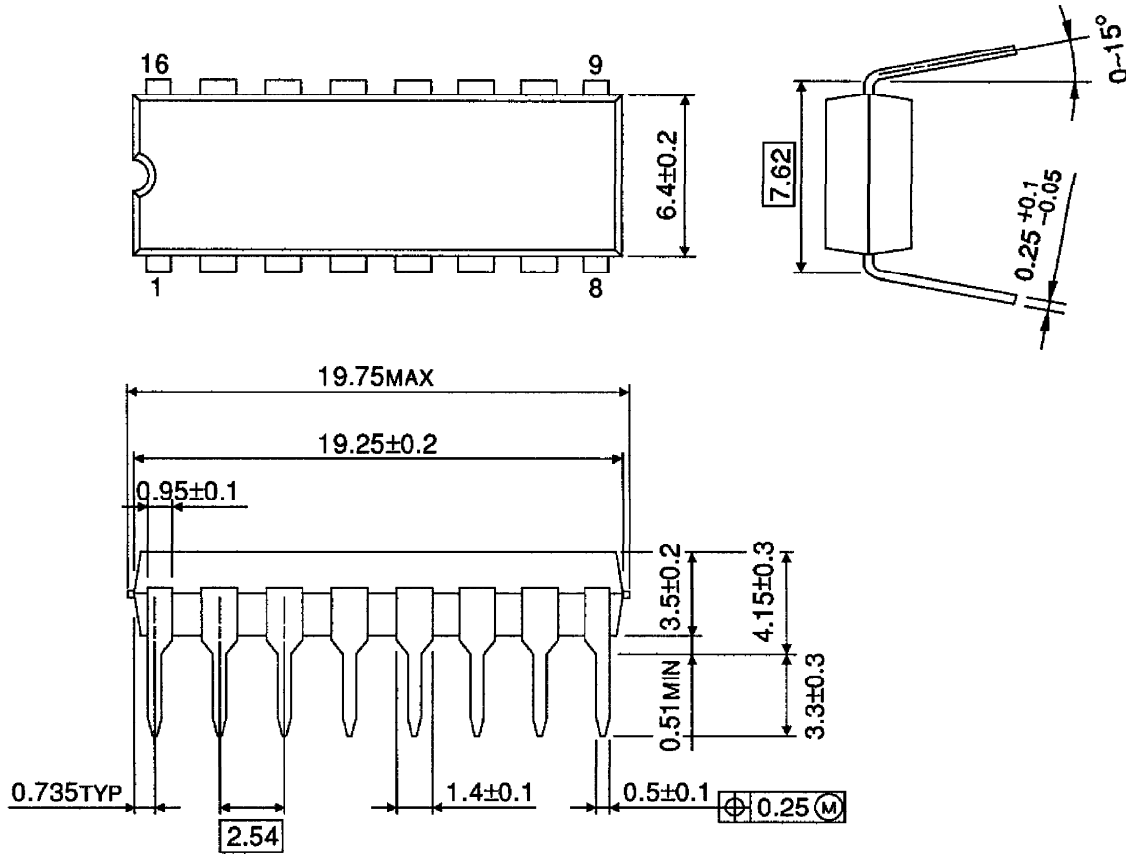


APPLICATION CIRCUIT 3. (Speed and carriage control)



OUTLINE DRAWING
DIP16-P-300-2.54A

Unit : mm

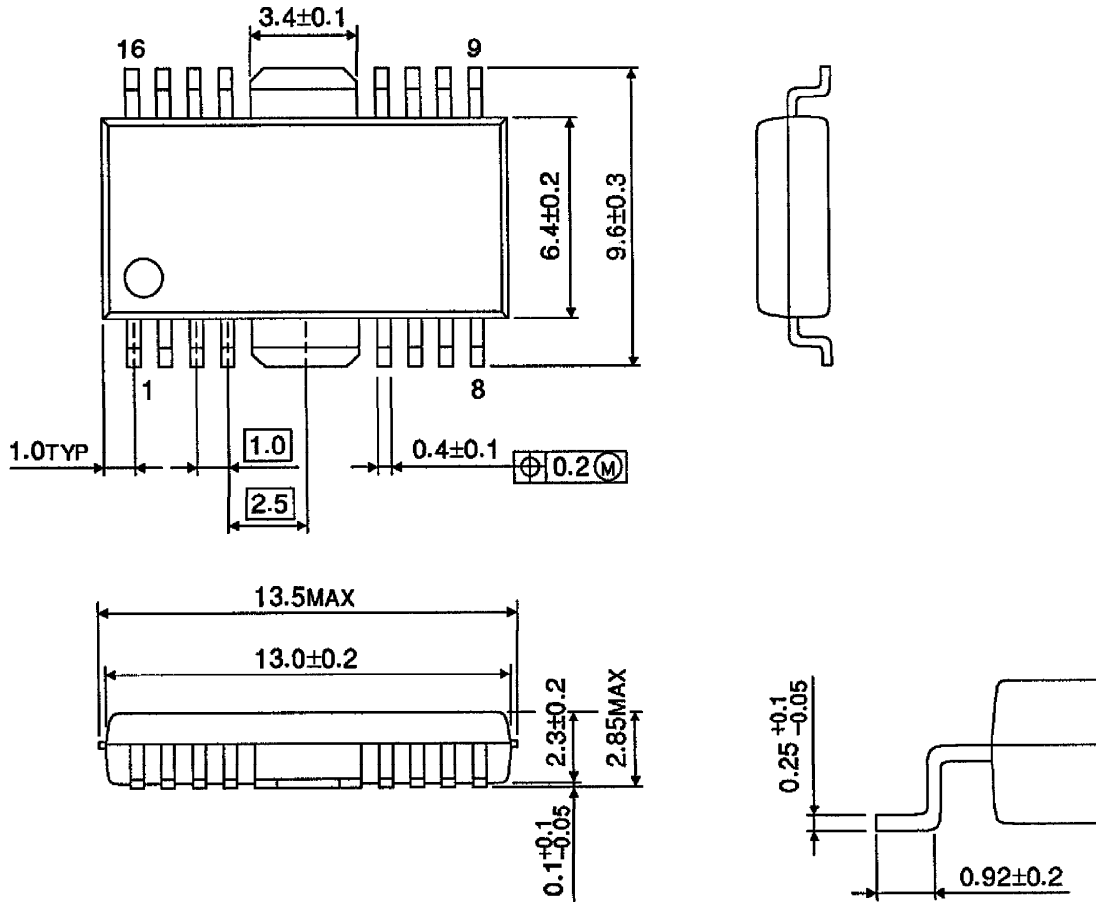


Weight : 1.0g (Typ.)

OUTLINE DRAWING

HSOP16-P-300-1.00

Unit : mm



Weight : 0.50g (Typ.)

Copyright Each Manufacturing Company.

All Datasheets cannot be modified without permission.

This datasheet has been download from :

www.AllDataSheet.com

100% Free DataSheet Search Site.

Free Download.

No Register.

Fast Search System.

www.AllDataSheet.com