

TRUE DIGITAL AUDIO AMPLIFIER TAS5100 PWM POWER OUTPUT STAGE

FEATURES

- **TAS5000 + TAS5100 TDAA System-High Quality Digital Audio Amplification**
- **93-dB Dynamic Range (TDAA System)**
- **THD+N < 0.08% (1 kHz, 1 W to 30 W RMS Into 6 Ω)**
- **Power Efficiency > 90% Into 8-Ω Load**
- **Low Profile, SMD 32-Pin PowerPAD™ Package Requires No Heat-Sink When Using Recommended Layout**
- **30-W RMS Continuous Power Into 4 Ω to 8 Ω**
- **Self-Protecting Design**
- **3.3-V Digital Interface**
- **EMI Compliant When Used With Recommended System Design**

APPLICATIONS

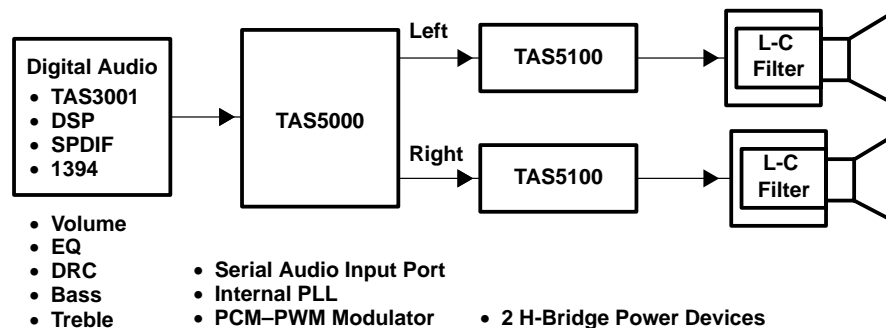
- **DVD Receiver**
- **Home Theater**
- **Car Audio Amplifiers and Head Units**

- **Internet Music Appliance**
- **Mini/Micro Component Systems**

DESCRIPTION

True digital audio amplifier (TDAA) is a new paradigm in digital audio. The TDAA system currently consists of the TAS5000 PCM-PWM modulator device + TAS5100 PWM power output device. This system accepts a serial PCM digital audio stream and converts it to a 3.3-V PWM audio stream (TAS5000). The TAS5100 device then provides a large-signal PWM output. This digital PWM signal is then demodulated providing power output for driving loudspeakers. This patented technology provides low-cost, high-quality, high-efficient digital audio applicable to many audio systems developed for the digital age. The TAS5100 is a single-channel PWM power audio device. It contains integrated gate drivers, four matched and electrically isolated enhancement-mode N-channel power DMOS transistors. Also, included are protection and fault-reporting circuitry. This device is optimized for use with the TAS5000 digital modulator.

TYPICAL TDAA STEREO AUDIO SYSTEM



Please be aware that an important notice concerning availability, standard warranty, and use in critical applications of Texas Instruments semiconductor products and disclaimers thereto appears at the end of this data sheet.

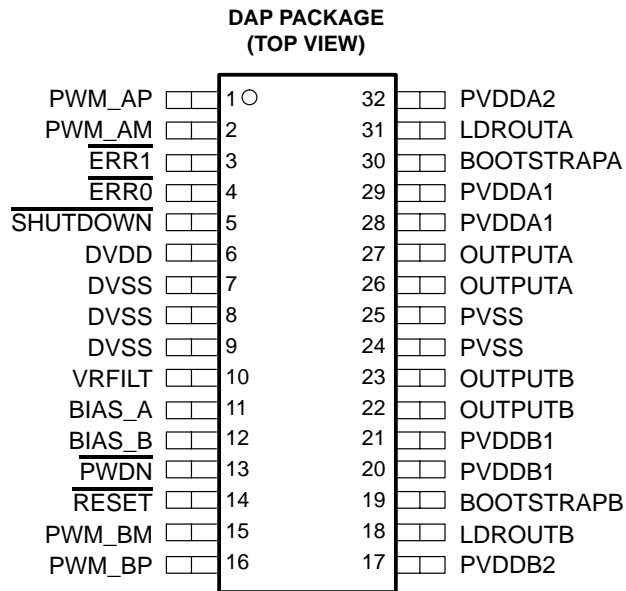
PowerPAD and Equibit are trademarks of Texas Instruments.

PRODUCTION DATA information is current as of publication date. Products conform to specifications per the terms of Texas Instruments standard warranty. Production processing does not necessarily include testing of all parameters.

TAS5100

terminal assignments

The TAS5100 is offered in a thermally enhanced 32-pin HTSSOP surface-mount package (DAP).



ordering information

| T _A | PACKAGE |
|----------------|-------------|
| 0°C to 70°C | TAS5100DAP |
| -40°C to 85°C | TAS5100IDAP |

references

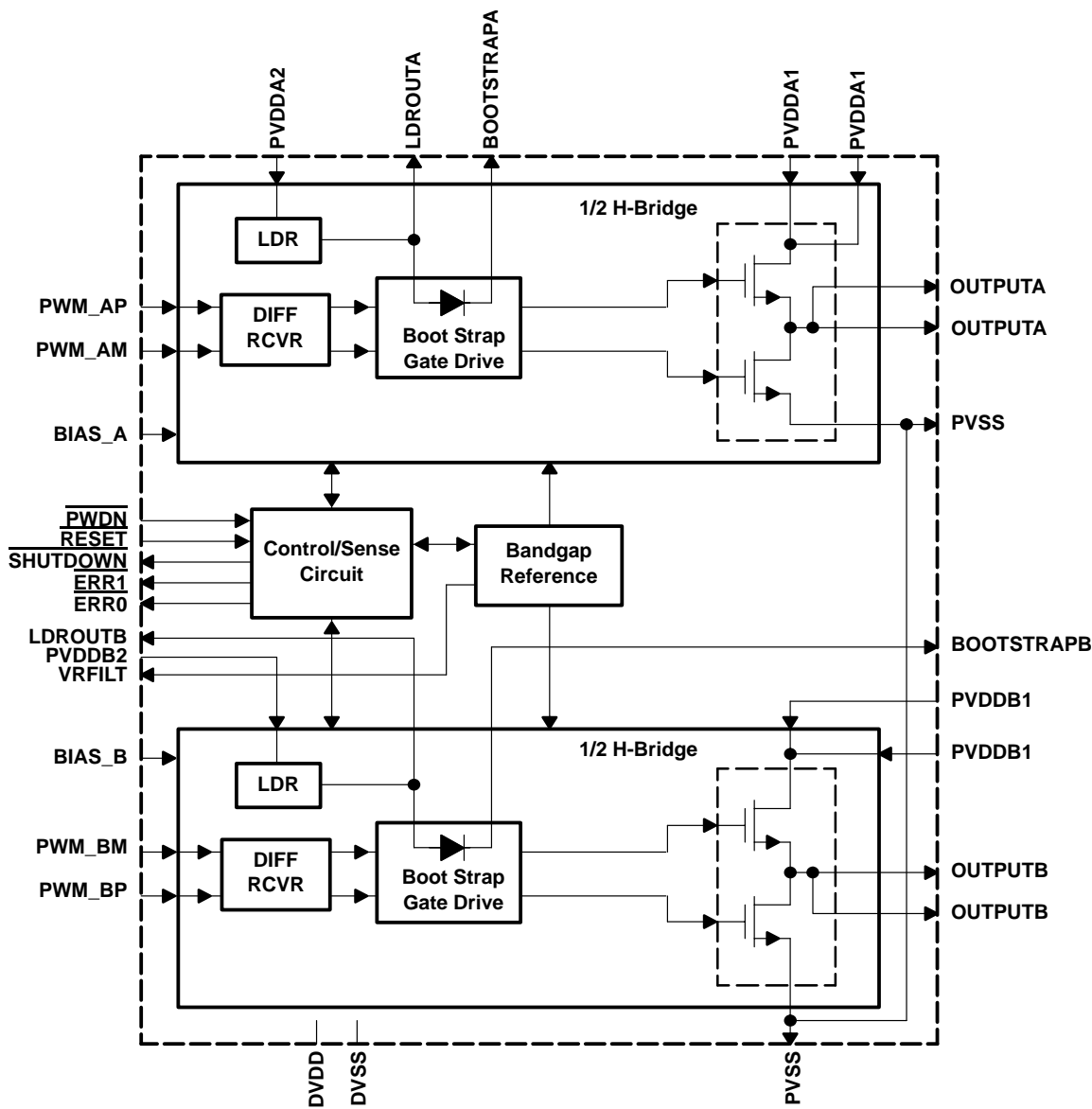
TAS5000 *Digital Audio PWM Process Data Manual* – TI Literature Number SLAS270

System Design Considerations for True Digital Audio Power Amplifiers – TI Literature Number SLAA117

Digital Audio Measurements – TI Literature Number SLAA114

PowerPAD Thermally Enhanced Package – TI Literature Number SLMA002

functional block diagram



suggested system block diagrams

See application note SLAA117 for more details.

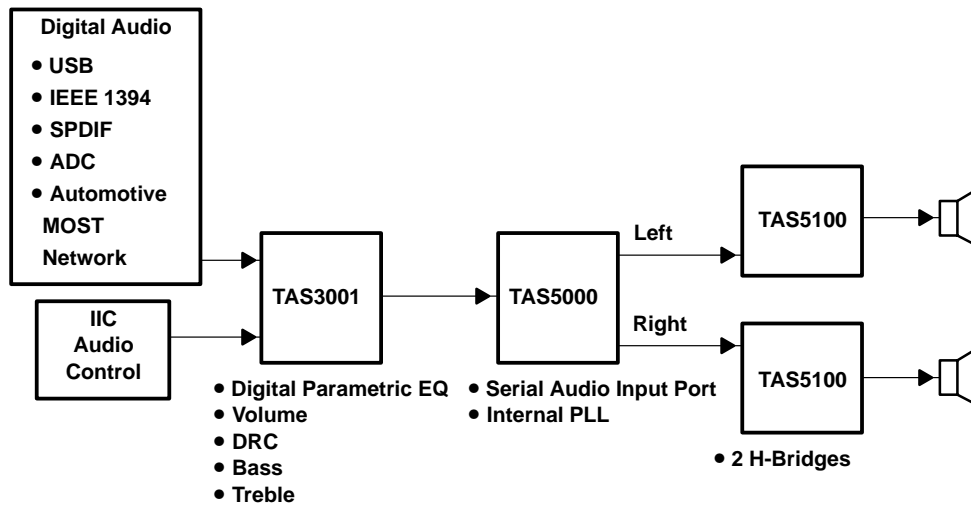


Figure 1. System #1: Stereo Configuration With TAS3001 Digital Audio Processor

suggested system block diagrams (continued)

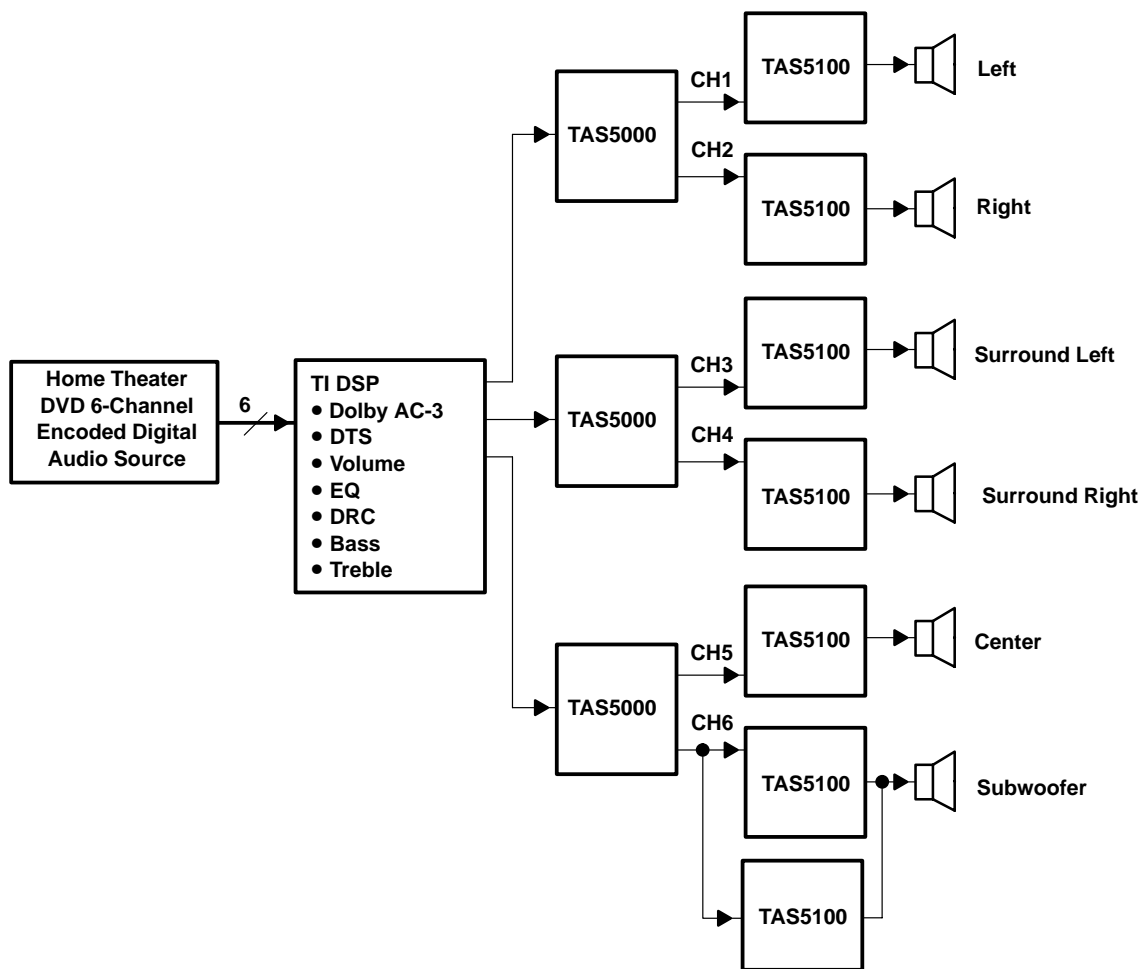


Figure 2. System #3: 6-Channel Audio Playback

Terminal Functions

| TERMINAL NAME | | NO. | I/O | DESCRIPTION |
|---------------|---------|-----|-----|--|
| BIAS_A | 11 | I | I | Connect external resistor to DVSS. See application note SLAA117 |
| BIAS_B | 12 | I | I | Connect external resistor to DVSS. See application note SLAA117 |
| BOOTSTRAPA | 30 | O | O | Bootstrap capacitor pin for H-bridge A |
| BOOTSTRAPB | 19 | O | O | Bootstrap capacitor pin for H-bridge B |
| DVDD | 6 | I | I | 3.3-V digital voltage supply for logic |
| DVSS | 7, 8, 9 | I | I | Digital ground for logic is internally connected to PVSS. All three pins must be tied together but not connected externally to PVSS. See Figure 5. |
| ERR1 | 3 | O | O | Error/warning report indicator. This output is open drain with internal pullup resistor. |
| ERR0 | 4 | O | O | Error/warning report indicator. This output is open drain with internal pullup resistor. |
| LDROUTA | 31 | O | O | Low voltage drop-out regulator output A (not to be used to supply current to external circuitry) |
| LDROUTB | 18 | O | O | Low voltage drop-out regulator output B (not to be used to supply current to external circuitry) |
| OUTPUTA | 26, 27 | O | O | H-bridge output A |
| OUTPUTB | 22, 23 | O | O | H-bridge output B |
| PVDDA1 | 28, 29 | I | I | High voltage power supply, H-bridge A |
| PVDDA2 | 32 | I | I | High voltage power supply for low-dropout voltage regulator A-side |
| PVddb1 | 20, 21 | I | I | High voltage power supply, H-bridge B |
| PVddb2 | 17 | I | I | High voltage power supply for low-dropout voltage regulator B-side |
| PVSS | 24, 25 | I | I | High voltage power supply ground |
| PWDN | 13 | I | I | Power down = 0, normal mode = 1 |
| PWM_AP | 1 | I | I | PWM input A(+) |
| PWM_AM | 2 | I | I | PWM input A(-) |
| PWM_BP | 16 | I | I | PWM input B(+) |
| PWM_BM | 15 | I | I | PWM input B(-) |
| RESET | 14 | I | I | Reset and mute mode = 0, normal mode = 1, when in reset mode, H-bridge MOSFETs are in low-low output state. Asserting the RESET signal low causes all fault conditions to be cleared. |
| SHUTDOWN | 5 | O | O | Device is in shutdown due to fault condition, normal mode = 1, shutdown = 0, when device is in shutdown mode the H-bridge MOSFETs are in low-low output state. The latched output can be cleared by asserting the RESET signal. This output is open drain with internal pullup resistor. |
| VRFILT | 10 | O | O | A filter capacitor must be added between VRFILT and DVSS pins. |

NOTE: The four PWM inputs: PWM_AP, PWM_AM, PWM_BP, and PWM_BM must always be connected to the TAS5000 output pins, and never left floating. Floating PWM input pins will cause an illegal PWM input state signal to be asserted.

Dual pins: OUTPUTA, OUTPUTB, PVDDA1 and PVddb1 must have both pins connected externally to the same point on the circuit board, respectively. Both PVSS pins must also be connected together externally. These multiple pins are for the high current DMOS output devices. Failure to connect all the multiple pins to the same respective node will result in excessive current flow in the internal bond wires and can cause the device to fail. All electrical characteristics are specified and measured with all of the multiple pins connected to the same node, respectively.

functional description

PWM H-bridge state control

The digital interface control signals consists of PWM_AP, PWM_AM, PWM_BP, and PWM_BM. These signals are a complementary differential signal format for the A-side H-bridge and the B-side H-bridge.

bootstrapped gate drive

The TAS5100 includes 2 dedicated bootstrapped power supplies. A bootstrap capacitor is connected between the individual bootstrap pin and the associated output as described in the application note SLAA117. For example, a capacitor will be connected between the BOOTSTRAPA pin and OUTPUTA pin, and another capacitor will be connected between the BOOTSTRAPB pin and the OUTPUTB pin. The bootstrap power supply minimizes the number of high voltage power supply levels externally supplied to the system while providing a low noise supply level for driving the high-side N-channel DMOS transistors. See application note SLAA117 for details.

low-dropout voltage regulator

Two on-chip low-dropout voltage regulators (LDO) are provided to minimize the number of external power supplies needed for the system. These voltage regulators are for internal circuits only and cannot be used for external circuitry. Each LDO is dedicated to an H-bridge and its gate driver. An LDO output capacitor is connected between the individual LDO output pin and the associated output return as described in the application note SLAA117. For example, a capacitor will be connected between the LDROUTA pin and PVSS pin, and another capacitor will be connected between the LDROUTB pin and PVSS pin.

high-current H-bridge output stage

The positive outputs of the H-bridge are the two OUTPUTA pins. The negative outputs of the H-bridge are the two OUTPUTB pins. The logic for the input command to H-bridge outputs is described in the H-bridge output mapping section below. When the TAS5100 is in the normal mode, as seen in the H-bridge output mapping tables, the outputs are decoded from the inputs. However, the TAS5100 is immediately shut down if any of the following error conditions occur: over-current, over-temperature, low regulator output voltage, or an illegal PWM input state is applied. For these conditions, the outputs are set to the appropriate disabled state as specified in the H-bridge output mapping section, and the SHUTDOWN pin is set low.

H-bridge output mapping

The A-side H-bridge output is designed to the following truth table:

| INPUTS | | | | OUTPUTS | | DESCRIPTION |
|--------|------|--------|--------|----------|------------------------|-------------|
| RESET | PWDN | PWM_AP | PWM_AM | SHUTDOWN | OUTPUTA | |
| X | X | X | X | 0 | 0 or Hi-Z [†] | Shutdown |
| X | 0 | X | X | 1 | Hi-Z | Powerdown |
| 0 | 1 | X | X | 1 | 0 | Reset |
| 1 | 1 | 0 | 0 | 0 | 0 | Shutdown |
| 1 | 1 | 0 | 1 | 1 | 0 | Normal |
| 1 | 1 | 1 | 0 | 1 | 1 | Normal |
| 1 | 1 | 1 | 1 | 0 | 0 | Shutdown |

[†] Output is 0 for low voltage, over temperature, and illegal input. Hi-Z is for over current.

H-bridge output mapping (continued)

The B-side H-bridge output is designed to the following truth table:

| INPUTS | | | | OUTPUTS | | DESCRIPTION |
|--------|------|--------|--------|----------|------------|-------------|
| RESET | PWDN | PWM_BP | PWM_BM | SHUTDOWN | OUTPUTB | |
| X | X | X | X | 0 | 0 or Hi-Z† | Shutdown |
| X | 0 | X | X | 1 | Hi-Z | Powerdown |
| 0 | 1 | X | X | 1 | 0 | Reset |
| 1 | 1 | 0 | 0 | 0 | 0 | Shutdown |
| 1 | 1 | 0 | 1 | 1 | 0 | Normal |
| 1 | 1 | 1 | 0 | 1 | 1 | Normal |
| 1 | 1 | 1 | 1 | 0 | 0 | Shutdown |

† Output is 0 for low voltage, over temperature, or illegal input. Hi-Z is for over current.

control/sense circuitry

The control/sense circuitry consists of the following 3.3-V logic level pins: $\overline{\text{PWDN}}$, $\overline{\text{RESET}}$, $\overline{\text{ERR0}}$, $\overline{\text{ERR1}}$, and $\overline{\text{SHUTDOWN}}$. The active-low $\overline{\text{PWDN}}$ input pin powers down all internal circuitry and forces the H-bridge outputs to the Hi-Z state. When the $\overline{\text{PWDN}}$ pin is low, the open drain $\overline{\text{ERR0}}$, $\overline{\text{ERR1}}$, and $\overline{\text{SHUTDOWN}}$ pins are also disabled so that their outputs can be pulled high. The active-low $\overline{\text{RESET}}$ input pin forces the H-bridge outputs to the low-low state and resets the over-current shutdown latch. The $\overline{\text{PWDN}}$ pin overrides the $\overline{\text{RESET}}$ pin. The $\overline{\text{ERR0}}$, $\overline{\text{ERR1}}$, and $\overline{\text{SHUTDOWN}}$ outputs indicate the following conditions in the TAS5100 as shown in the table below. These three outputs are open-drain connections with internal pullup resistors so that wire-ORed connections can be made by the user with other external control devices. The short circuit protect error condition will latch the TAS5100 in this shutdown state and force the H-bridge outputs to the Hi-Z state until the device is reset by means of the $\overline{\text{RESET}}$ pin. The illegal PWM input state, over-temperature, and low regulator voltage error conditions will not latch the device in the shutdown condition. Instead the H-bridge outputs are forced to the low-low state and the TAS5100 will return to normal operation as soon as the error condition ends. Loss of clocking PWM signal is also considered an illegal PWM input state.

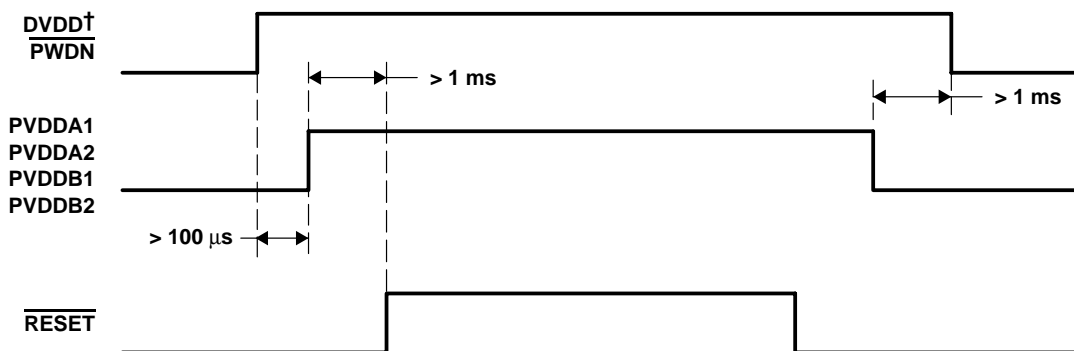
| SHUTDOWN | ERR1 | ERR0 | FUNCTION | OUTPUTA | OUTPUTB |
|----------|------|------|-------------------------------|---------|---------|
| 0 | 0 | 0 | Illegal PWM input state | Low | Low |
| 0 | 0 | 1 | Short circuit protect (latch) | Hi-Z | Hi-Z |
| 0 | 1 | 0 | Over temperature protect | Low | Low |
| 0 | 1 | 1 | Low regulator voltage protect | Low | Low |
| 1 | 0 | 0 | Reserved | — | — |
| 1 | 0 | 1 | Reserved | — | — |
| 1 | 1 | 0 | High temperature – warning | Normal | Normal |
| 1 | 1 | 1 | Normal operation | Normal | Normal |

device operation

power sequences

system power-up/power-down sequencing

The recommended power-up/power-down sequence is shown in Figure 3. For proper operation the $\overline{\text{RESET}}$ signal should be kept LOW when both DVDD and output power (PVDDA1, PVDDA2, PVddb1, and PVddb2) are being applied. The $\overline{\text{RESET}}$ signal should remain LOW for at least 1 ms after output power is applied.



† For most applications, it is recommended that pin 13 ($\overline{\text{PWDN}}$) be connected directly to pin 6 (DVDD).

Figure 3. Power-Up/Power-Down Sequence

$\overline{\text{RESET}}$ function

The device is put into a reset condition when the (active low) $\overline{\text{RESET}}$ signal is asserted. While in the reset state, the input H-bridge control signals consisting of PWM_AP, PWM_AM, PWM_BP, and PWM_BM are ignored, and the H-bridge MOSFETs are placed in a state where OUTPUTA and OUTPUTB are both low. Asserting the $\overline{\text{RESET}}$ signal low also causes the short circuit protection latch to be reset. The $\overline{\text{RESET}}$ signal is normally connected to the VALID signal from the TAS5000.

reinitialization sequence

Proper initial conditions for this device include asserting the $\overline{\text{RESET}}$ signal until the reset operation has completed (1 ms). Additionally, when using this device with the TAS5000 controller, this function can be accomplished by asserting the reset pin on the TAS5000 during the reset sequence (see Figure 3).

audio application considerations

power supply decoupling

Power supply decoupling and layout optimization information should be obtained by following the detailed information in the application note SLAA117.

optimal power transfer for H-bridge

The TAS5100 is a power H-bridge that is designed to deliver 30 W/rms into loads of 4 Ω to 8 Ω . Rather than requiring the usual heatsink, the package is designed to deliver this wattage by careful layout as described in the application note SLAA117. Careful attention must be given to the value of the high-voltage power supply level for a given load resistance. See recommended operating conditions.

audio application considerations (continued)

reconstruction output filter

An output reconstruction filter is required between the H-bridge outputs and the loudspeaker load. This second order low-pass filter passes the audio information to the loudspeaker, while filtering out the high frequency out-of-band information contained in the H-bridge output PWM pulses. The values of the L and C components selected are dependent on the loudspeaker load impedance. See application note SLAA117.

fault indicator usage

The TAS5100 is a self-protecting device that provides device fault reporting, including over-temperature protect, under-voltage lockout (low-regulator voltage), and short circuit protection. The short circuit protection protects against short circuits that may occur at the loudspeaker load when configured according to the application note SLAA117. The TAS5100 is not recommended for driving loads less than 4 Ω, since the internal current limit protection might be activated.

An under-voltage lockout signal occurs when an insufficient voltage level is present on the LDROUTA or LDROUTB pins. During this condition gate drive levels are not sufficient for driving the power MOSFETs. Normal operation is resumed when the minimum proper LDROUTA or LDROUTB level is obtained, and the low regulator voltage protect signal is de-asserted. See the control/sense circuitry section for error and warning conditions.

A high temperature warning signal is asserted on pin $\overline{\text{ERR0}}$ when the device temperature exceeds 110°C typical.

If the internal device temperature exceeds 130°C typical, the over temperature protect signal is asserted and the TAS5100 is shut down. The device will re-enable once the temperature drops to 110°C typical. See the control/sense circuitry section for error and warning conditions.

Detection of an illegal PWM input state or the loss of a clocking PWM input signal will cause an illegal PWM input state signal to be asserted on the $\overline{\text{ERR1}}$ and $\overline{\text{ERR0}}$ pins and will set the SHUTDOWN pin to the low state.

absolute maximum ratings over operating free-air temperature (unless otherwise noted)†

| | |
|---|------------------------|
| DC supply voltage range: DVDD to DVSS | -0.3 V to 4.2 V |
| PWM_AP, PWM_AM, PWM_BP, PWM_BM | -0.3 V to DVDD + 0.3 V |
| $\overline{\text{RESET}}$, $\overline{\text{PWDN}}$ | -0.3 V to DVDD + 0.3 V |
| PVDDA1 to PVSS, PVddb1 to PVSS | -0.3 V to 28 V |
| PVDDA2 to PVSS, PVddb2 to PVSS | -0.3 V to 27 V |
| Output DMOS drain-to-source breakdown voltage | 28 V |
| Continuous DMOS drain current, each output | 3 A |
| Continuous source-to-drain body diode current | 3 A |
| Operating junction temperature range, T _J | -40°C to 150°C |
| Storage temperature range, T _{stg} | -65°C to 150°C |
| Lead temperature 1,6 mm (1/16 inch) from case for 10 seconds) | 260°C |

† Stresses beyond those listed under “absolute maximum ratings” may cause permanent damage to the device. These are stress ratings only, and functional operation of the device at these or any other conditions beyond those indicated under “recommended operating conditions” is not implied. Exposure to absolute-maximum-rated conditions for extended periods may affect device reliability.

recommended operating conditions (nominal output power = 30 W (RMS), $T_A = 25^\circ\text{C}$)**thermal data†**

| PARAMETER | | MIN | NOM | MAX | UNIT |
|---|--|---|-----|-----|---------------------------|
| Shutdown junction temperature, $T_{J(SD)}$ | | | 130 | | $^\circ\text{C}$ |
| Warning junction temperature, $T_{J(W)}$ | | | 110 | | $^\circ\text{C}$ |
| Operating ambient temperature, T_A | | 0 | 25 | 70 | $^\circ\text{C}$ |
| Thermal resistance junction-to-case, θ_{jc} | | 2 oz. trace and copper pad with solder | | | $^\circ\text{C}/\text{W}$ |
| Thermal resistance junction-to-ambient, θ_{ja} | | 2 oz. trace and copper pad with solder | | | $^\circ\text{C}/\text{W}$ |
| Thermal resistance junction-to-case, θ_{jc} | | 2 oz. trace and copper pad without solder | | | $^\circ\text{C}/\text{W}$ |
| Thermal resistance junction-to-ambient, θ_{ja} | | 2 oz. trace and copper pad without solder | | | $^\circ\text{C}/\text{W}$ |

† One of the most influential components on the thermal performance of a package is board design. In order to take full advantage of the heat dissipating abilities of the PowerPAD packages, a board must be used that acts similar to a heat sink and allows for the use of the exposed (and solderable), deep downset pad. See Appendix A of the *PowerPAD Thermally Enhanced Package* application note, TI literature number SLMA002 and the *Thermal Design of the PowerPad PCB Layout* section of the *System Design Considerations for True Digital Audio Power Amplifiers* application note, TI literature number SLAA117.

 $R_L = 4 \Omega$ to 8Ω

| PARAMETER | | MIN | NOM | MAX | UNIT |
|----------------|-----------|-----------------|-----|-----|------|
| Supply voltage | Digital | DVDD to DVSS | | | V |
| | Regulator | PVDDA2 to PVSS | | | V |
| | | PVddb2 to PVSS | | | |
| | | PVDDA2 to PVSS‡ | | | |
| | | PVddb2 to PVSS‡ | | | |

‡ Connect LDROUTA to PVDDA2 and connect LDROUTB to PVddb2. Under this condition H-Bridge forward on-state resistance is increased. This will increase internal power dissipation. Maximum output power may need to be reduced to meet thermal conditions.

 $R_L = 8 \Omega$

| PARAMETER | | MIN | NOM | MAX | UNIT |
|----------------|-------|----------------|-----|-----|------|
| Supply voltage | Power | PVDDA1 to DVSS | | | V |
| | | PVddb1 to PVSS | | | |

 $R_L = 6 \Omega$

| PARAMETER | | MIN | NOM | MAX | UNIT |
|----------------|-------|----------------|-----|-----|------|
| Supply voltage | Power | PVDDA1 to DVSS | | | V |
| | | PVddb1 to PVSS | | | |

 $R_L = 4 \Omega$

| PARAMETER | | MIN | NOM | MAX | UNIT |
|----------------|-------|----------------|-----|-----|------|
| Supply voltage | Power | PVDDA1 to DVSS | | | V |
| | | PVddb1 to PVSS | | | |

static digital specifications

RESET, PWDN, PWM_AP, PWM_AM, PWM_BP, PWM_BM, T_A = 25°C, DVDD = 3.3 V

| PARAMETERS | MIN | MAX | UNIT |
|---|-----|-----|------|
| High-level input voltage, V _{IH} | 2 | | V |
| Low-level input voltage, V _{IL} | | 0.8 | V |
| Input leakage current | -10 | 10 | μA |

ERR0, ERR1, SHUTDOWN, (open drain with internal pullup resistor) T_A = 25°C, DVDD = 3.3 V)

| PARAMETERS | MIN | MAX | UNIT |
|---|-----|-----|------|
| Internal pullup resistors from SHUTDOWN, ERR0, ERR1 to DVDD | 15 | | kΩ |
| Low-level output voltage (I _O = 4 mA), V _{OL} | | 0.4 | V |

TAS5000/TAS5100 system performance measured at the speaker terminals

See the TI Literature Number SLAA117 for TAS5000/TAS5100 system performance.

electrical characteristics

supply, T_A = 25°C (F_{switching} = 384 kHz, OUTPUTA and OUTPUTB not connected, DVDD = 3.3 V, PVDDA1 = 25 V, PVDDB1 = 25 V, PVDDA2 = 22 V, PVDDB2 = 22 V, 50% input duty cycle)

| PARAMETER | | TYP | MAX | UNIT |
|----------------|------------------|------------|-----|------|
| Supply current | DVDD | Operating | 2 | mA |
| | | PWDN = 0 | 500 | μA |
| | PVDDA1 PVDDB1 | Operating† | 6.3 | mA |
| | | PWDN = 0 | 25 | μA |
| | PVDDA2 PVDDB2 | Operating | 6.5 | mA |
| | | PWDN = 0 | 250 | μA |

† 13-kΩ resistor from BIAS_A (pin 11) to DVSS and 13-kΩ resistor from BIAS_B (pin 12) to DVSS.

H-Bridge transistors, PVDDA2 = PVDDB2 = 22 V, DVDD = 3.3 V, T_A = 25°C (unless otherwise noted)

| PARAMETER | TEST CONDITIONS | MIN | TYP | MAX | UNIT |
|--|---|-----|-----|-----|------|
| Drain-to-source breakdown voltage | I _D = 1 mA, PWDN = 0, Hi-Z state | 28 | | | V |
| Forward on-state resistance, low side drivers OUTPUTA and OUTPUTB to PVSS | I _{SINK} = 2.5 A, PWM_AP = PWM_BP = 0, See Notes 2, 3, and 4, PWM_AM = PWM_BM = 1 | | 0.2 | | Ω |
| Forward on-state resistance, high side drivers PVDDA1 to OUTPUTA, PVDDB1 to OUTPUTB | I _{SOURCE} = 2.5 A, PWM_AP = PWM_BP = 1, See Notes 2, 3, and 5, PWM_AM = PWM_BM = 0 | | 0.2 | | Ω |
| On-state resistance matching low-side drivers | | | 98% | | |
| On-state resistance matching high-side drivers | | | 98% | | |

- NOTES:
1. Test time should be < 1 ms to avoid temperature change.
 2. These parameters are measured with voltage-sensing contacts separate from the current-carrying contacts.
 3. Connect PVDDA2 and PVDDB2 to 22-V power supply with respect to PVSS. LDROUTA, LDROUTB, BOOTSTRAPA, and BOOTSTRAPB pins open.
 4. Connect PVDDA2 to 22-V power supply with respect to PVSS. LDROUTA, LDROUTB, BOOTSTRAPA and BOOTSTRAPB capacitors are connected respectively. Clock PWM inputs to allow bootstrap capacitors to charge. 93–99% modulation must be used on PWM_AP, PWM_AM, PWM_BP, and PWM_BM inputs to prevent the activity detector from shutting down the device during this measurement. Note that F_{switching} = 384 kHz.

electrical characteristics, voltage regulator, $T_A = 25^\circ\text{C}$ (unless otherwise noted)

| PARAMETER | TEST CONDITIONS | MIN | TYP | MAX | UNIT |
|-----------------------------------|--|------|------|-----|------|
| Output voltage (LDROUTA, LDROUTB) | $I_O = 5\text{ mA}$, See Note 6, PVDDA2 = PVddb2 = 18 V to 27 V, DVDD = 3.3 V | 14.5 | 15.3 | 16 | V |

NOTE 5: These voltage regulators are for internal gate drive circuits only and are not to be used under any circumstances to supply current to external circuitry.

THERMAL INFORMATION

The thermally enhanced DAP package is based on the 32-pin HTSSOP, but includes a thermal pad (see Figure 4) to provide an effective thermal contact between the IC and the PWB.

Traditionally, surface mount and power have been mutually exclusive terms. A variety of scaled-down TO-220 type packages have leads formed as gull wings to make them applicable for surface-mount applications. These packages, however, have two shortcomings: they do not address the very low profile requirements (<2 mm) of many of today's advanced systems, and they do not offer a terminal-count high enough to accommodate increasing integration. On the other hand, traditional low-power surface-mount packages require power-dissipation derating that severely limits the usable range of many high-performance analog circuits.

The PowerPAD package (thermally enhanced HTSSOP) combines fine-pitch surface-mount technology with thermal performance comparable to much larger power packages.

The PowerPAD package is designed to optimize the heat transfer to the PWB. Because of the very small size and limited mass of a HTSSOP package, thermal enhancement is achieved by improving the thermal conduction paths that remove heat from the component. The thermal pad is formed using a patented lead-frame design and manufacturing technique to provide a direct connection to the heat-generating IC. When this pad is soldered or otherwise thermally coupled to an external heat dissipater, high power dissipation in the ultrathin, fine-pitch, surface-mount package can be reliably achieved. See dissipation derating table.

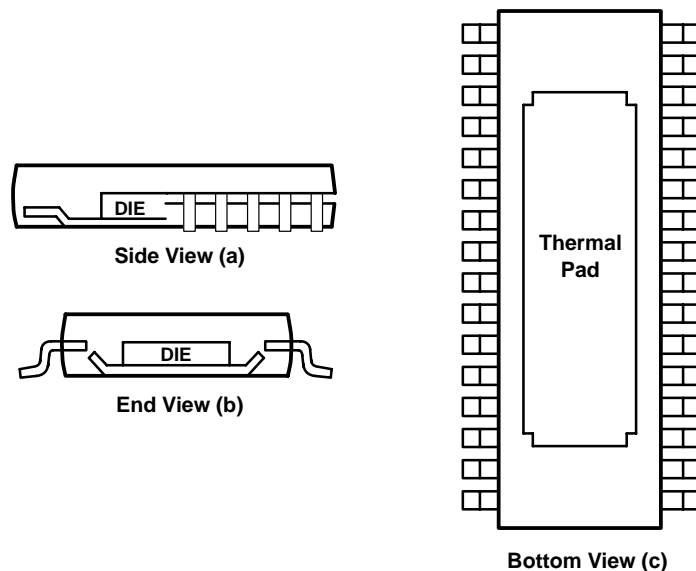


Figure 4. Views of Thermally Enhanced DAP Package

DISSIPATION DERATING TABLE

| PACKAGE | T _A ≤ 25°C† POWER RATING | DERATING FACTOR ABOVE T _A = 25°C | T _A = 70°C POWER RATING |
|---------|--|--|---------------------------------------|
| DAP | 5.3 W | 42.5 mW/°C | 3.4 W |

† See the Texas Instruments document, *PowerPAD Thermally Enhanced Package Application Report* (literature number SLMA002), for more information on the PowerPAD package. The thermal data was measured on a PCB layout based on the information in the section entitled *Texas Instruments Recommended Board for PowerPAD™* of the before mentioned document. Data in table is for specified layout. Under other conditions the thermal performance may vary. See Texas Instruments document SLAA117 for more detailed application information.

APPLICATION INFORMATION

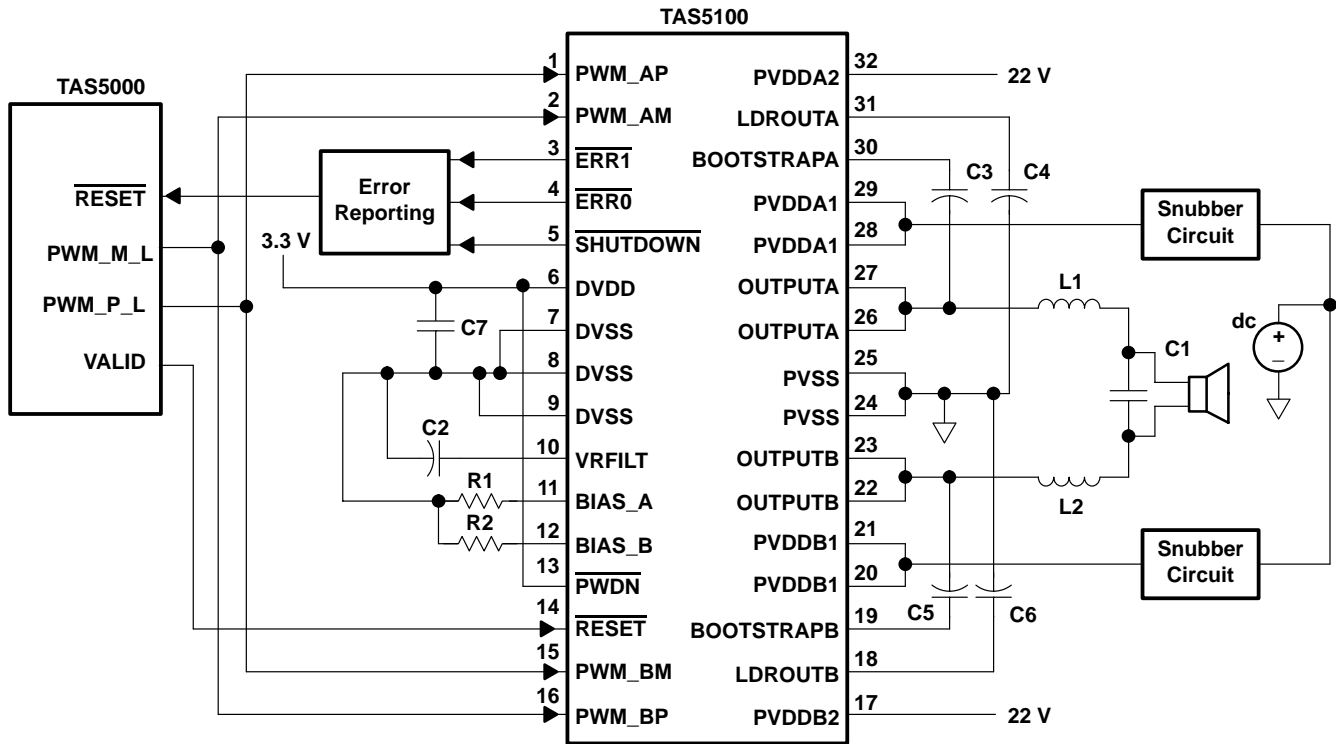


Figure 5. Typical TAS5100 Application (One Channel Shown)

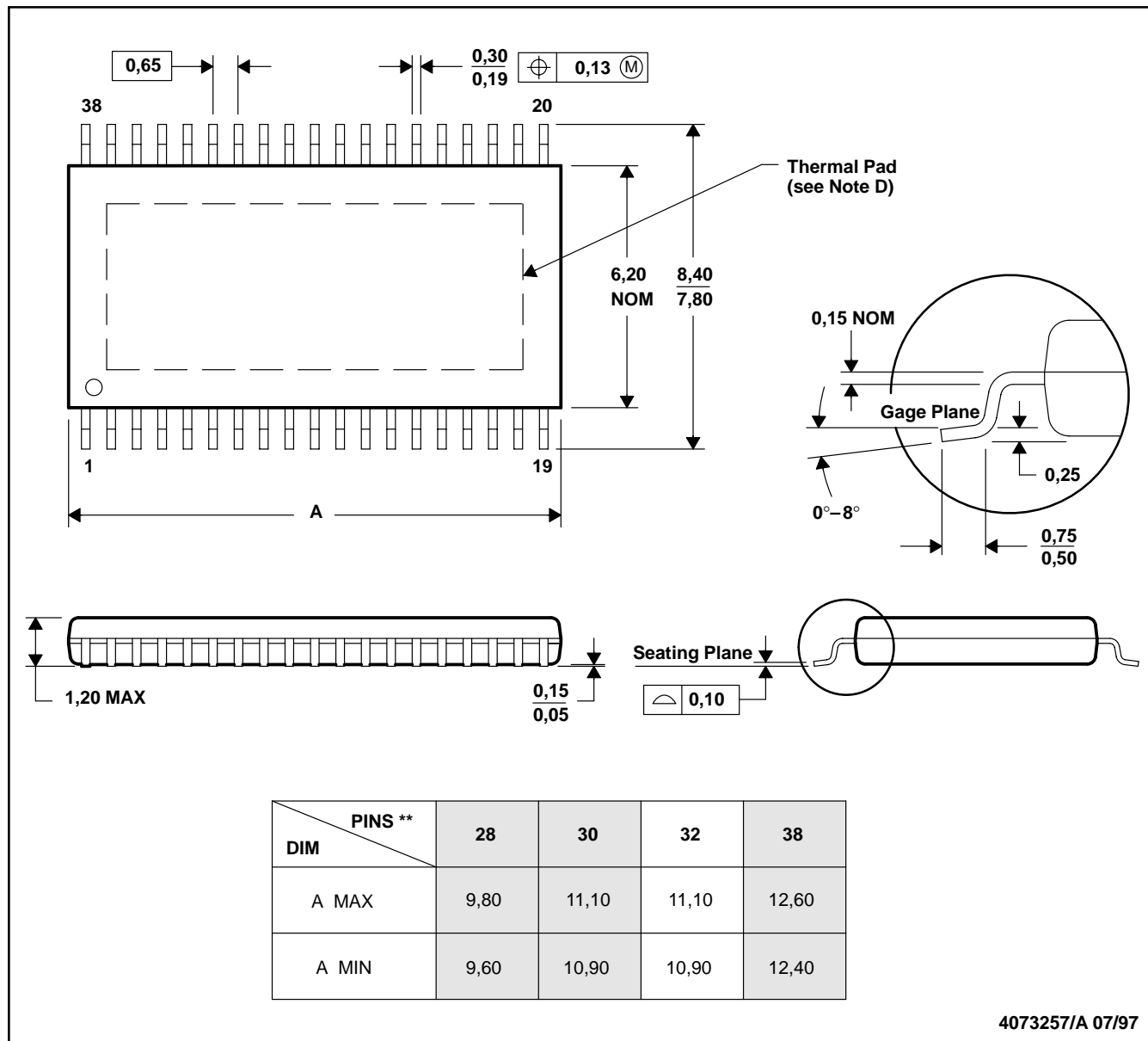
See the application note, TI literature number SLAA117 for detailed application information.

MECHANICAL DATA

DAP (R-PDSO-G**)

PowerPAD™ PLASTIC SMALL-OUTLINE PACKAGE

38 PINS SHOWN



- NOTES: A. All linear dimensions are in millimeters.
 B. This drawing is subject to change without notice.
 C. Body dimensions do not include mold flash or protrusion.
 D. The package thermal performance may be enhanced by bonding the thermal pad to an external thermal plane. This pad is electrically and thermally connected to the backside of the die and possibly selected leads. Thermal pad size is 3,86 mm X 3,91 mm for the 32-pin TAS5100 device.
 E. Falls within JEDEC MO-153

PowerPAD is a trademark of Texas Instruments.

PACKAGING INFORMATION

| Orderable Device | Status ⁽¹⁾ | Package Type | Package Drawing | Pins | Package Qty | Eco Plan ⁽²⁾ | Lead/Ball Finish | MSL Peak Temp ⁽³⁾ |
|------------------|-----------------------|--------------|-----------------|------|-------------|-------------------------|------------------|------------------------------|
| TAS5100DAP | OBSOLETE | HTSSOP | DAP | 32 | | TBD | Call TI | Call TI |
| TAS5100IDAP | OBSOLETE | HTSSOP | DAP | 32 | | TBD | Call TI | Call TI |

⁽¹⁾ The marketing status values are defined as follows:

ACTIVE: Product device recommended for new designs.

LIFEBUY: TI has announced that the device will be discontinued, and a lifetime-buy period is in effect.

NRND: Not recommended for new designs. Device is in production to support existing customers, but TI does not recommend using this part in a new design.

PREVIEW: Device has been announced but is not in production. Samples may or may not be available.

OBSOLETE: TI has discontinued the production of the device.

⁽²⁾ Eco Plan - The planned eco-friendly classification: Pb-Free (RoHS), Pb-Free (RoHS Exempt), or Green (RoHS & no Sb/Br) - please check <http://www.ti.com/productcontent> for the latest availability information and additional product content details.

TBD: The Pb-Free/Green conversion plan has not been defined.

Pb-Free (RoHS): TI's terms "Lead-Free" or "Pb-Free" mean semiconductor products that are compatible with the current RoHS requirements for all 6 substances, including the requirement that lead not exceed 0.1% by weight in homogeneous materials. Where designed to be soldered at high temperatures, TI Pb-Free products are suitable for use in specified lead-free processes.

Pb-Free (RoHS Exempt): This component has a RoHS exemption for either 1) lead-based flip-chip solder bumps used between the die and package, or 2) lead-based die adhesive used between the die and leadframe. The component is otherwise considered Pb-Free (RoHS compatible) as defined above.

Green (RoHS & no Sb/Br): TI defines "Green" to mean Pb-Free (RoHS compatible), and free of Bromine (Br) and Antimony (Sb) based flame retardants (Br or Sb do not exceed 0.1% by weight in homogeneous material)

⁽³⁾ MSL, Peak Temp. -- The Moisture Sensitivity Level rating according to the JEDEC industry standard classifications, and peak solder temperature.

Important Information and Disclaimer:The information provided on this page represents TI's knowledge and belief as of the date that it is provided. TI bases its knowledge and belief on information provided by third parties, and makes no representation or warranty as to the accuracy of such information. Efforts are underway to better integrate information from third parties. TI has taken and continues to take reasonable steps to provide representative and accurate information but may not have conducted destructive testing or chemical analysis on incoming materials and chemicals. TI and TI suppliers consider certain information to be proprietary, and thus CAS numbers and other limited information may not be available for release.

In no event shall TI's liability arising out of such information exceed the total purchase price of the TI part(s) at issue in this document sold by TI to Customer on an annual basis.

IMPORTANT NOTICE

Texas Instruments Incorporated and its subsidiaries (TI) reserve the right to make corrections, modifications, enhancements, improvements, and other changes to its products and services at any time and to discontinue any product or service without notice. Customers should obtain the latest relevant information before placing orders and should verify that such information is current and complete. All products are sold subject to TI's terms and conditions of sale supplied at the time of order acknowledgment.

TI warrants performance of its hardware products to the specifications applicable at the time of sale in accordance with TI's standard warranty. Testing and other quality control techniques are used to the extent TI deems necessary to support this warranty. Except where mandated by government requirements, testing of all parameters of each product is not necessarily performed.

TI assumes no liability for applications assistance or customer product design. Customers are responsible for their products and applications using TI components. To minimize the risks associated with customer products and applications, customers should provide adequate design and operating safeguards.

TI does not warrant or represent that any license, either express or implied, is granted under any TI patent right, copyright, mask work right, or other TI intellectual property right relating to any combination, machine, or process in which TI products or services are used. Information published by TI regarding third-party products or services does not constitute a license from TI to use such products or services or a warranty or endorsement thereof. Use of such information may require a license from a third party under the patents or other intellectual property of the third party, or a license from TI under the patents or other intellectual property of TI.

Reproduction of information in TI data books or data sheets is permissible only if reproduction is without alteration and is accompanied by all associated warranties, conditions, limitations, and notices. Reproduction of this information with alteration is an unfair and deceptive business practice. TI is not responsible or liable for such altered documentation.

Resale of TI products or services with statements different from or beyond the parameters stated by TI for that product or service voids all express and any implied warranties for the associated TI product or service and is an unfair and deceptive business practice. TI is not responsible or liable for any such statements.

Following are URLs where you can obtain information on other Texas Instruments products and application solutions:

| Products | | Applications | |
|------------------|--|---------------------|--|
| Amplifiers | amplifier.ti.com | Audio | www.ti.com/audio |
| Data Converters | dataconverter.ti.com | Automotive | www.ti.com/automotive |
| DSP | dsp.ti.com | Broadband | www.ti.com/broadband |
| Interface | interface.ti.com | Digital Control | www.ti.com/digitalcontrol |
| Logic | logic.ti.com | Military | www.ti.com/military |
| Power Mgmt | power.ti.com | Optical Networking | www.ti.com/opticalnetwork |
| Microcontrollers | microcontroller.ti.com | Security | www.ti.com/security |
| | | Telephony | www.ti.com/telephony |
| | | Video & Imaging | www.ti.com/video |
| | | Wireless | www.ti.com/wireless |

Mailing Address: Texas Instruments
Post Office Box 655303 Dallas, Texas 75265

Copyright © 2006, Texas Instruments Incorporated