



查询TB62701供应商

**TOSHIBA Bi-CMOS**

博多邦 专业PCB打样工厂, 24小时加

急出货

## Constant Current Interface Driver

# TB62701AN

16 Bit Constant Current LED Driver with Shift Register and Latch Functions

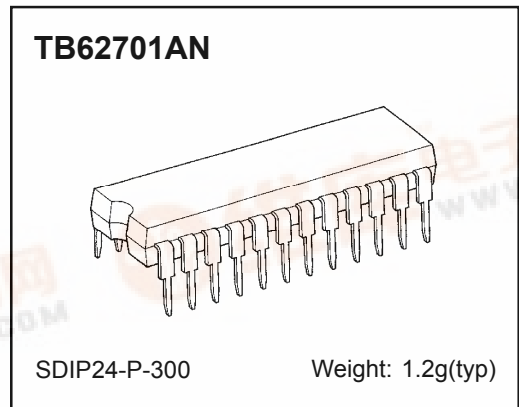
## Product Description:

The TB62701AN is specifically designed for LED display applications. The Bi-CMOS device has 16 Bi-polar constant current output channels and includes CMOS shift register and latch functions.

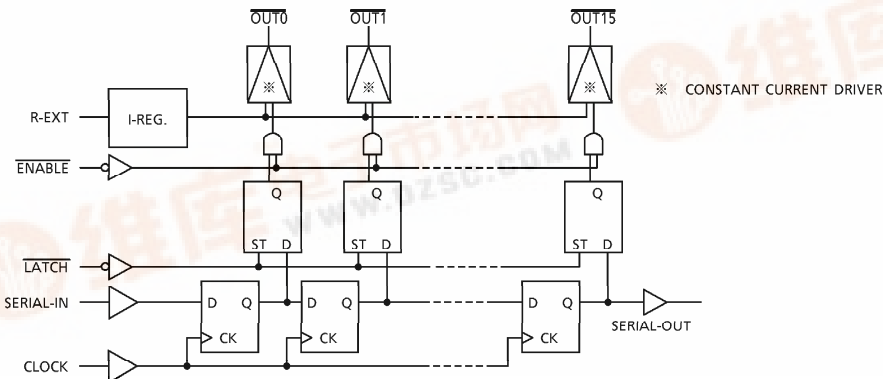
The LED drive current is programmed by the installation of a single resistor per device. Current is programmable from 5-50mA and is held constant across all 16 outputs effectively compensating for the inherent circuit and component variables which affect the brightness of the LEDs.

## Features:

- 16 Constant Current Output Channels
- Current Programmable from 5-50mA
- 5V CMOS Compatible Inputs
- Supports up to a 30V LED Supply Voltage



## Block Diagram:

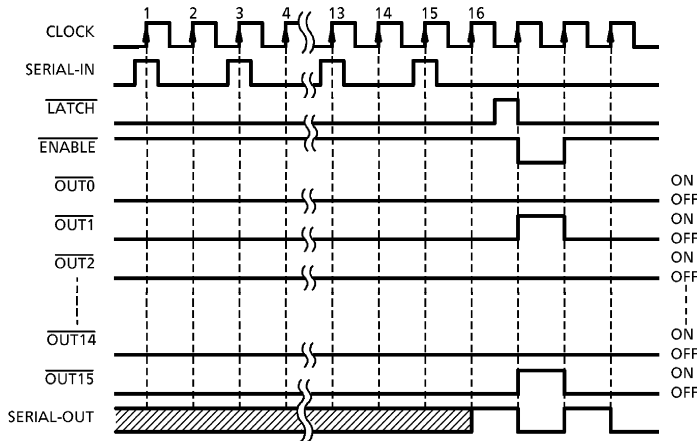


# TOSHIBA Bi-CMOS Constant Current Interface Driver



## TB62701AN

### Timing Diagram:



### Terminal Description & Pin Out:

PIN No.	PIN NAME	FUNCTION
1	GND	GND terminal for control logic driver
2	SERIAL-IN	Serial data input terminal for shift register
3	CLOCK	Clock input terminal for data shift to up-edge
4	LATCH	"H" : data through, "L" : data hold
24	V <sub>DD</sub>	Supply voltage terminal
5~12 13~20	OUT <sub>n</sub>	Output terminals
21	ENABLE	"H" output off, "L" : latch data = "H" then output on, latch data = "L" then output off
22	SERIAL-OUT	Serial data output terminal for shift register
23	R-EXT	The register which connects between R-EXT and GND sets the constant output current.

GND	1	24	V <sub>DD</sub>
SERIAL-IN	2	23	R-EXT
CLOCK	3	22	SERIAL-OUT
LATCH	4	21	ENABLE
OUT <sub>0</sub>	5	20	OUT <sub>15</sub>
OUT <sub>1</sub>	6	19	OUT <sub>14</sub>
OUT <sub>2</sub>	7	18	OUT <sub>13</sub>
OUT <sub>3</sub>	8	17	OUT <sub>12</sub>
OUT <sub>4</sub>	9	16	OUT <sub>11</sub>
OUT <sub>5</sub>	10	15	OUT <sub>10</sub>
OUT <sub>6</sub>	11	14	OUT <sub>9</sub>
OUT <sub>7</sub>	12	13	OUT <sub>8</sub>



# TOSHIBA Bi-CMOS Constant Current Interface Driver

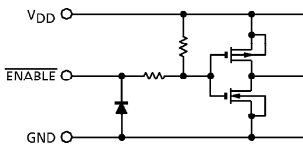
## TB62701AN

Truth Table:

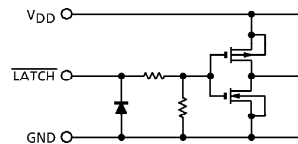
INPUT				OUTPUT $\overline{OUT}_n$ (t = n)			
CLOCK	LATCH	ENABLE	SERIAL-IN	OUT0	$\overline{OUT}_7$	$\overline{OUT}_{15}$	SERIAL-OUT
Up	H	L	DN	DN	DN-7	DN-15	DN-15
Up	L	L	DN	No Change			DN-15
Up	*	H	DN	OFF	OFF	OFF	DN-15
Down	*	*	DN	No Change			No Change

Equivalent Circuit of Inputs and Outputs:

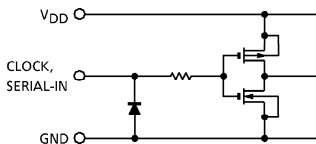
1. ENABLE terminal



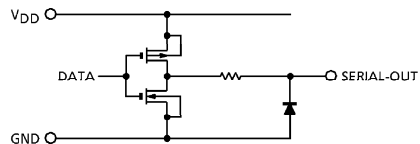
2. LATCH terminal



3. CLOCK, SERIAL-IN terminal



4. SERIAL-OUT terminal



Maximum Ratings:

CHARACTER	SYMBOL	RATING	UNIT
Supply Voltage	VDD	0~+7.0	V
Output Voltage	VOUT	-0.5~+30	V
Output Current	IOUT	50	mA
Input Voltage	VIN	-0.4~VDD + 0.4	V
GND Terminal Current	IGND	800	mA
Clock Frequency	FCLK	2.5	MHz
Power Dissipation	PD	1.78	W
Operating Temperature	Topr	-40~+85	°C
Storage Temperature	Tstg	-55~+150	°C



marktech  
optoelectronics

120 Broadway • Menands, New York 12204

Toll Free: (800) 98-4LEDS • Fax: (518) 432-7454

# TOSHIBA Bi-CMOS Constant Current Interface Driver



## TB62701AN

### Recommended Operating Condition

CHARACTERISTIC	SYMBOL	TEST CONDITION	MIN.	TYP.	MAX.	UNIT	
Supply Voltage	VDD	—	4.5	5.0	5.5	V	
Output Voltage	VOUT	—	—	—	30.0	V	
Output Current	OUTn	IOUT	DC 1 circuit	—	—	45	mA
	S-OUT	IOH	—	—	—	-1.0	
		IOL	—	—	—	—	
Input Voltage	VIN	—	0	—	VDD	V	
Data Set Up Time	tsetup(D)	—	100	—	—	ns	
Data Hold Time	thold (D)	—	20	—	—	ns	
Latch Set Up Time	tsetup(L)	—	300	—	—	ns	
Latch Hold Time	thold (L)	—	100	—	—	ns	
Clock Pulse Width	tw CLK	—	100	—	—	ns	
	tw CLK̄	—	100	—	—	ns	
Latch Pulse Width	tw LAT	—	300	—	—	ns	
	tw LAT̄	—	300	—	—	ns	
Clock Frequency	fCK	Cascade operation	—	—	2.0	MHz	
Power Dissipation	PD	Ta=85°C	—	—	0.72	W	



# TOSHIBA Bi-CMOS

## Constant Current Interface Driver

# TB62701AN

### Electrical Characteristics:

CHARACTERISTIC		SYMBOL	TEST CIRCUIT	TEST CONDITION	MIN.	TYP.	MAX.	UNIT	
Input Voltage	"H" level	V <sub>IH</sub>	—	—	70%V <sub>DD</sub>	—	V <sub>DD</sub>	V	
	"L" level	V <sub>IL</sub>	—	—	GND	—	30%V <sub>DD</sub>		
Output Leakage Current		I <sub>OH</sub>	—	V <sub>OH</sub> =30V	—	—	10	μA	
Output Voltage	S-OUT	V <sub>OL</sub>	—	I <sub>OL</sub> =+1.0mA	—	—	0.4	V	
		V <sub>OH</sub>	—	I <sub>OH</sub> =-1.0mA	4.6	—	—		
Output Current 1		I <sub>OL1</sub>	—	V <sub>CE</sub> =0.7V	R <sub>EXT</sub> =560Ω (include ΔI <sub>OL1</sub> )	35.2	41.5	47.7	mA
		I <sub>OL2</sub>	—	V <sub>CE</sub> =0.4V		33.1	39.0	44.9	mA
		Delta I <sub>OUT</sub>	ΔI <sub>OL1</sub>	—	R <sub>EXT</sub> =560Ω I <sub>OUT</sub> =40mA, V <sub>CE</sub> =0.4V	—	±3.0	±7.0	%
Supply Voltage Regulation		% / V <sub>DD</sub>	—	R <sub>EXT</sub> =560Ω	—	18	—	% / V	
Reference Voltage		V <sub>ref</sub>	—	R <sub>EXT</sub> =560Ω, T <sub>a</sub> =-40-85°C	—	1.26	—	V	
Pull Up / Down Resistor		R <sub>IN</sub>	—	—	100	200	400	kΩ	
Supply Current	"OFF"	I <sub>IDD</sub> (off) 1	—	R <sub>EXT</sub> =OPEN, OUT <sub>n</sub> =Off	—	0.4	0.6	mA	
		I <sub>IDD</sub> (off) 2	—	R <sub>EXT</sub> =560Ω, OUT <sub>n</sub> =Off	—	6.5	10.0		
	"ON"	I <sub>DD</sub> (on)	—	R <sub>EXT</sub> =560Ω, OUT <sub>n</sub> =Off	—	13.5	20.0		

# TOSHIBA Bi-CMOS Constant Current Interface Driver

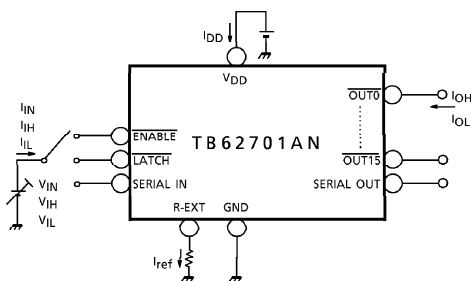


## TB62701AN

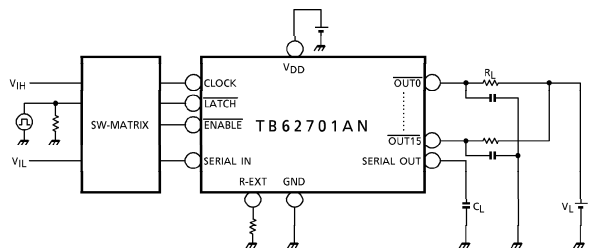
### Switching Characteristics:

CHARACTERISTIC		SYMBOL	TEST CONDITION	MIN.	TYP.	MAX.	UNIT
Propagation Delay Time ("L" to "H")	CK-S-OUT	$t_{PLH}$	VDD = 5.0V VCE = 1.0V VIH = VDD VIL = GND fCK = 2MHz REXT = 560Ω IOUT = 30mA	—	95	500	ns
	CK-OUTn			—	130	500	
	LATCH-OUTn			—	130	500	
	EN-OUTn			—	130	500	
Propagation Delay Time ("H" to "L")	CK-S-OUT	$t_{PLH}$		—	95	720	ns
	CK-OUTn			—	130	500	
	LATCH-OUTn			—	130	500	
	EN-OUTn			—	130	500	
Maximum Clock Frequency		fMAX(*1)		2.0	—	2.5	MHz
Minimum Pulse Width	CLK	tw CLK		—	45	80	ns
	LATCH	tw LAT		—	10	50	
Data Set Up Time		tsetup (D)		—	17	50	ns
Data Hold Time		thold (D)	—	-7	10		
Latch Set Up Time	LH	$t_{LATsetup}$	—	70	200	ns	
	HL		—	70	200		
Latch Hold Time	LH	$t_{LAThold}$	—	-70	50	ns	
	HL		—	-70	50		
Maximum Clock Rise Time		tr	—	—	10	μs	
Maximum Clock Fall Time		tf	—	—	10		
Maximum Output Rise Time		tor	—	35	80	ns	
Maximum Output Fall Time		tof	—	40	80	ns	

### DC Characteristic Test Circuit:



### AC Characteristic Test Circuit:



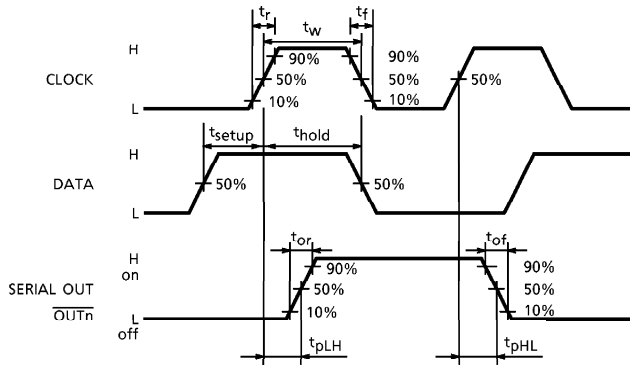


# TOSHIBA Bi-CMOS Constant Current Interface Driver

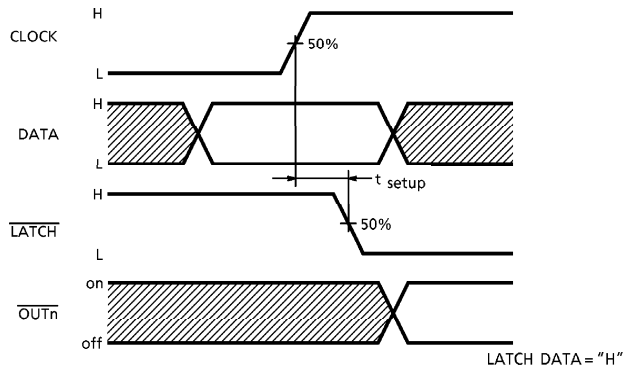
## TB62701AN

Timing Wave Form:

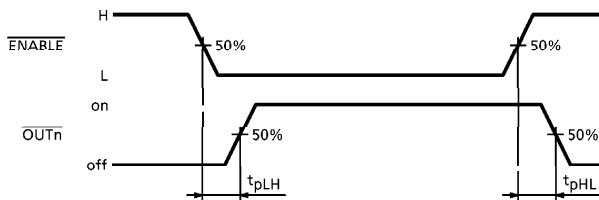
### 1. CLOCK-SERIAL OUT, OUT<sub>n</sub>



### 2. CLOCK-LATCH



### 3. ENABLE

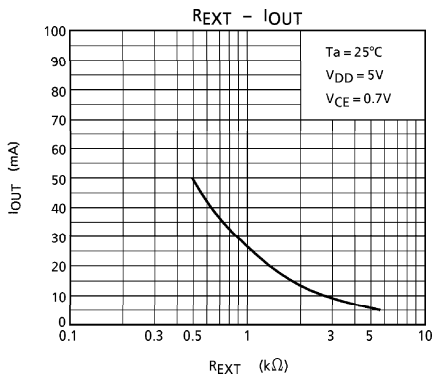
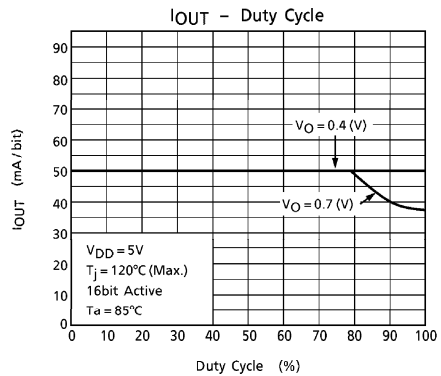
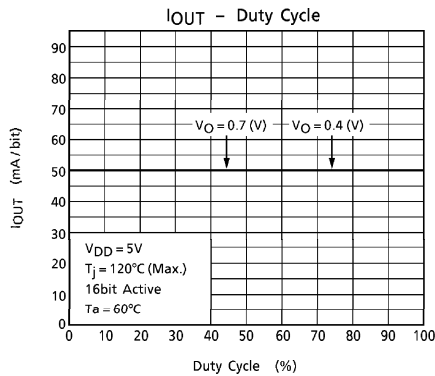
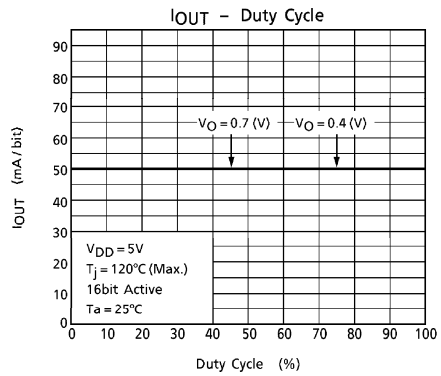
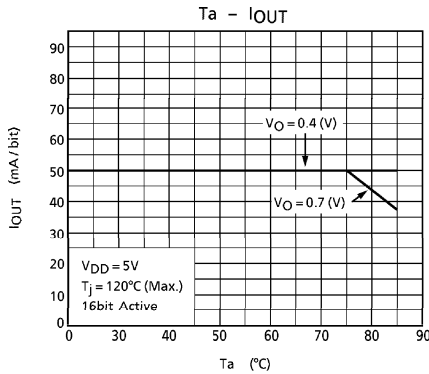


# TOSHIBA Bi-CMOS Constant Current Interface Driver



## TB62701AN

Graphs:



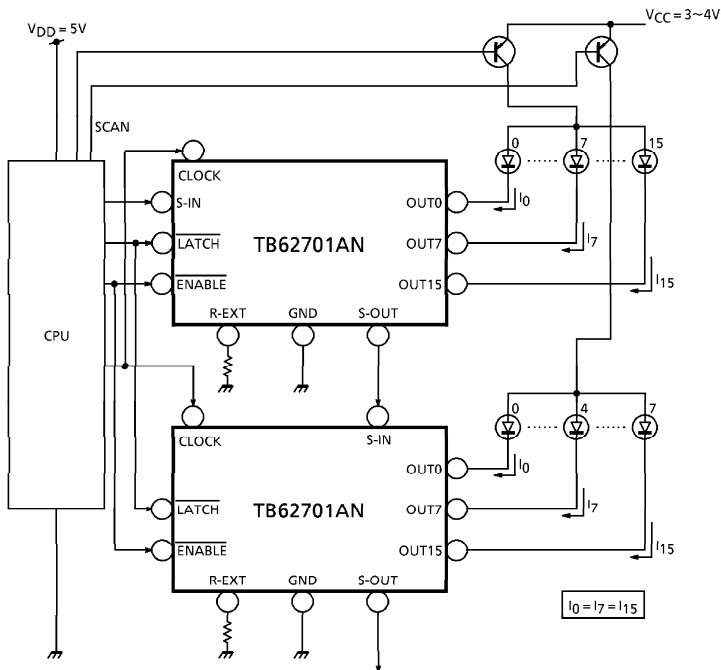




# TOSHIBA Bi-CMOS Constant Current Interface Driver

## TB62701AN

Application Circuit:



### PRECAUTIONS for USING

Utmost care is necessary in the design of the output line, V<sub>CC</sub> (V<sub>DD</sub>) and GND line since IC may be destroyed due to short-circuit between outputs, air contamination fault, or fault by improper grounding.

# TOSHIBA Bi-CMOS Constant Current Interface Driver

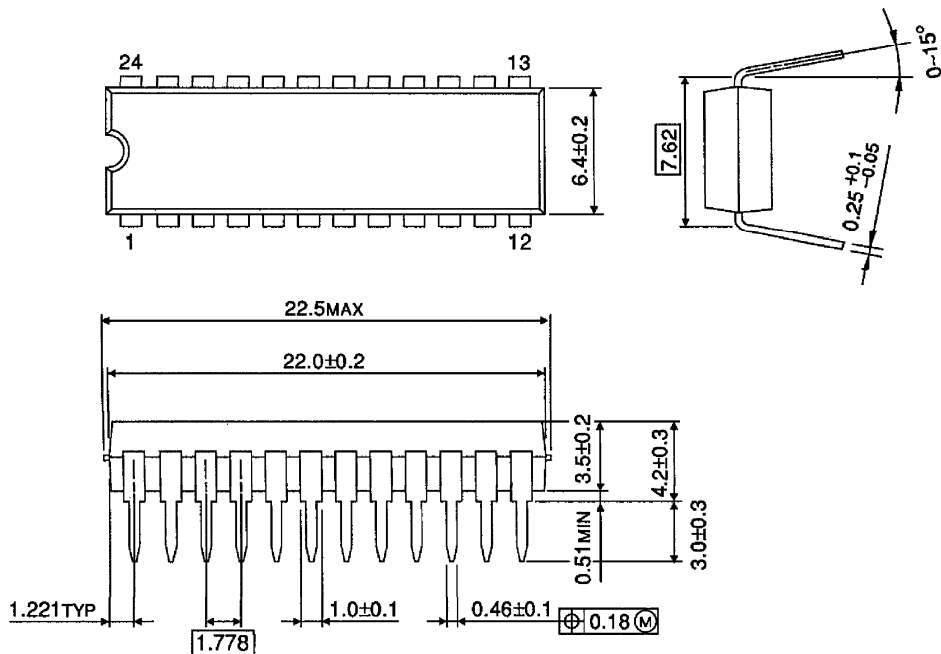


## TB62701AN

Outline Drawing:

SDIP24-P-300-1.78

Unit : mm



Weight : 1.2g (Typ.)