



STP70NF03L STB70NF03L-1

N-CHANNEL 30V - 0.008Ω - 70A TO-220/I²PAK
LOW GATE CHARGE STripFET™ POWER MOSFET

| TYPE | V _{DSS} | R _{DS(on)} | I _D |
|--------------|------------------|---------------------|----------------|
| STP70NF03L | 30 V | < 0.01 Ω | 70 A |
| STB70NF03L-1 | 30 V | < 0.01 Ω | 70 A |

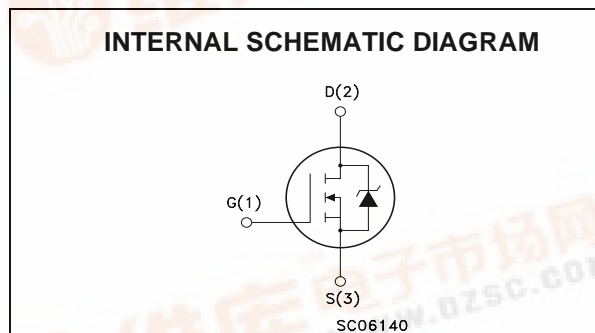
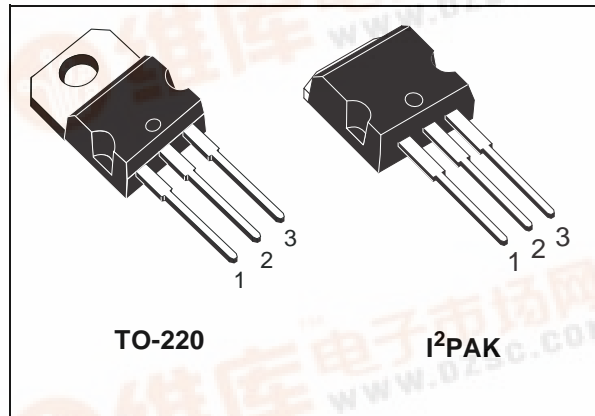
- TYPICAL R_{DS(on)} = 0.008 Ω
- TYPICAL Q_g = 35 nC @ 10 V
- OPTIMAL R_{DS(on)} x Q_g TRADE-OFF
- CONDUCTION LOSSES REDUCED
- SWITCHING LOSSES REDUCED

DESCRIPTION

This application specific Power Mosfet is the third generation of STMicroelectronics unique "Single Feature Size™" strip-based process. The resulting transistor shows the best trade-off between on-resistance and gate charge. When used as high and low side in buck regulators, it gives the best performance in terms of both conduction and switching losses. This is extremely important for motherboards where fast switching and high efficiency are of paramount importance.

APPLICATIONS

- SPECIFICALLY DESIGNED AND OPTIMISED FOR HIGH EFFICIENCY CPU CORE DC/DC CONVERTERS



ABSOLUTE MAXIMUM RATINGS

| Symbol | Parameter | Value | Unit |
|---------------------|--|------------|------|
| V _{DS} | Drain-source Voltage (V _{GS} = 0) | 30 | V |
| V _{DGR} | Drain-gate Voltage (R _{GS} = 20 kΩ) | 30 | V |
| V _{GS} | Gate- source Voltage | ± 15 | V |
| I _D | Drain Current (continuous) at T _C = 25°C | 70 | A |
| I _D | Drain Current (continuous) at T _C = 100°C | 50 | A |
| I _{DM} (●) | Drain Current (pulsed) | 280 | A |
| P _{TOT} | Total Dissipation at T _C = 25°C | 100 | W |
| | Derating Factor | 0.67 | W/°C |
| dv/dt (1) | Peak Diode Recovery voltage slope | 4 | V/ns |
| T _{stg} | Storage Temperature | -65 to 175 | °C |
| T _j | Max. Operating Junction Temperature | 175 | °C |

(●) Pulse width limited by safe operating area

(1) I_{SD} ≤ 70A, di/dt ≤ 290A/μs, V_{DD} = 24 V ; T_j ≤ T_{JMAX}.

STP70NF03L/STB70NF03L-1

THERMAL DATA

| | | | |
|----------------|--|------|------|
| Rthj-case | Thermal Resistance Junction-case Max | 1.5 | °C/W |
| Rthj-amb | Thermal Resistance Junction-ambient Max | 62.5 | °C/W |
| T _l | Maximum Lead Temperature For Soldering Purpose | 300 | °C |

AVALANCHE CHARACTERISTICS

| Symbol | Parameter | Max Value | Unit |
|-----------------|--|-----------|------|
| I _{AR} | Avalanche Current, Repetitive or Not-Repetitive (pulse width limited by T _j max) | 35 | A |
| E _{AS} | Single Pulse Avalanche Energy (starting T _j = 25 °C, I _D = I _{AR} , V _{DD} = 50 V) | 450 | mJ |

ELECTRICAL CHARACTERISTICS (TCASE = 25 °C UNLESS OTHERWISE SPECIFIED)

OFF

| Symbol | Parameter | Test Conditions | Min. | Typ. | Max. | Unit |
|----------------------|---|---|------|------|---------|----------|
| V _{(BR)DSS} | Drain-source Breakdown Voltage | I _D = 250 μA, V _{GS} = 0 | 30 | | | V |
| I _{DSS} | Zero Gate Voltage Drain Current (V _{GS} = 0) | V _{DS} = Max Rating V _{DS} = Max Rating, T _C = 125 °C | | | 1 10 | μA μA |
| I _{GSS} | Gate-body Leakage Current (V _{DS} = 0) | V _{GS} = ± 15V | | | ±100 | nA |

ON (1)

| Symbol | Parameter | Test Conditions | Min. | Typ. | Max. | Unit |
|---------------------|-----------------------------------|---|------|----------------|---------------|--------|
| V _{GS(th)} | Gate Threshold Voltage | V _{DS} = V _{GS} , I _D = 250μA | 1 | 2 | | V |
| R _{DS(on)} | Static Drain-source On Resistance | V _{GS} = 10 V, I _D = 35 A V _{GS} = 5 V, I _D = 18 A | | 0.008 0.015 | 0.01 0.018 | Ω Ω |
| I _{D(on)} | On State Drain Current | V _{DS} > I _{D(on)} × R _{DS(on)max} , V _{GS} = 10V | 70 | | | A |

DYNAMIC

| Symbol | Parameter | Test Conditions | Min. | Typ. | Max. | Unit |
|---------------------|------------------------------|--|------|------|------|------|
| g _{fs} (1) | Forward Transconductance | V _{DS} > I _{D(on)} × R _{DS(on)max} , I _D = 35 A | | 40 | | S |
| C _{iss} | Input Capacitance | V _{DS} = 25V, f = 1 MHz, V _{GS} = 0 | | 1470 | | pF |
| C _{oss} | Output Capacitance | | | 490 | | pF |
| C _{rss} | Reverse Transfer Capacitance | | | 110 | | pF |

ELECTRICAL CHARACTERISTICS (CONTINUED)

SWITCHING ON

| Symbol | Parameter | Test Conditions | Min. | Typ. | Max. | Unit |
|-------------|--------------------|--|------|------|------|------|
| $t_{d(on)}$ | Turn-on Delay Time | $V_{DD} = 15\text{ V}, I_D = 35\text{ A}$ | | 20 | | ns |
| t_r | Rise Time | $R_G = 4.7\Omega, V_{GS} = 4.5\text{ V}$ (see test circuit, Figure 3) | | 350 | | ns |
| Q_g | Total Gate Charge | $V_{DD} = 24\text{ V}, I_D = 46\text{ A},$ $V_{GS} = 10\text{ V}$ | | 35 | 45 | nC |
| Q_{gs} | Gate-Source Charge | | | 5 | | nC |
| Q_{gd} | Gate-Drain Charge | | | 10 | | nC |

SWITCHING OFF

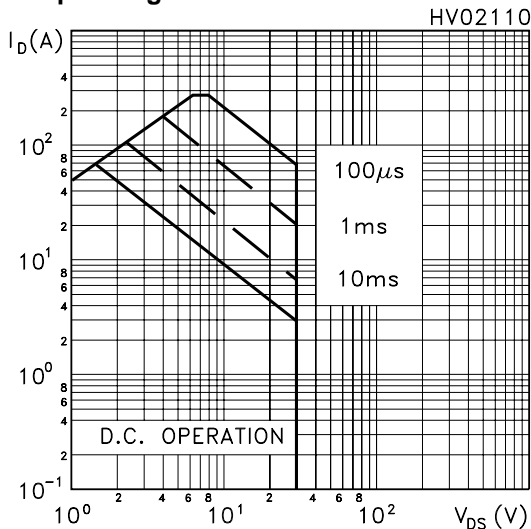
| Symbol | Parameter | Test Conditions | Min. | Typ. | Max. | Unit |
|--------------|---------------------|--|------|------|------|------|
| $t_{d(off)}$ | Turn-off-Delay Time | $V_{DD} = 15\text{ V}, I_D = 35\text{ A},$ $R_G = 4.7\Omega, V_{GS} = 4.5\text{ V}$ (see test circuit, Figure 3) | | 35 | | ns |
| t_f | Fall Time | | | 65 | | ns |

SOURCE DRAIN DIODE

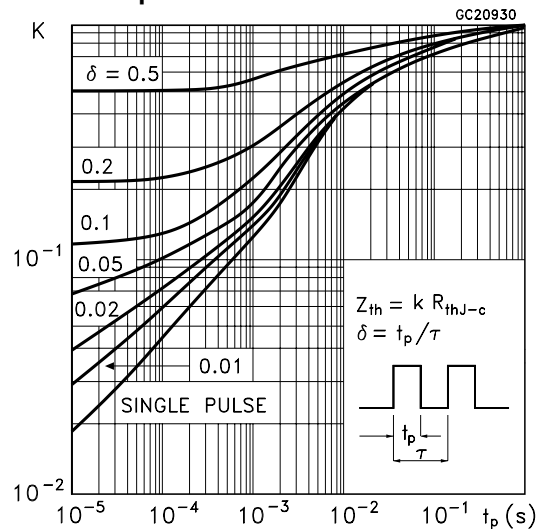
| Symbol | Parameter | Test Conditions | Min. | Typ. | Max. | Unit |
|---------------|-------------------------------|--|------|------|------|------|
| I_{SD} | Source-drain Current | | | | 70 | A |
| $I_{SDM} (1)$ | Source-drain Current (pulsed) | | | | 280 | A |
| $V_{SD} (2)$ | Forward On Voltage | $I_{SD} = 70\text{ A}, V_{GS} = 0$ | | | 1.5 | V |
| t_{rr} | Reverse Recovery Time | $I_{SD} = 70\text{ A}, di/dt = 100\text{ A}/\mu\text{s},$ $V_{DD} = 20\text{ V}, T_j = 150^\circ\text{C}$ (see test circuit, Figure 5) | | 75 | | ns |
| Q_{rr} | Reverse Recovery Charge | | | 110 | | nC |
| I_{RRM} | Reverse Recovery Current | | | 2.9 | | A |

Note: 1. Pulsed: Pulse duration = 300 μs , duty cycle 1.5 %.
2. Pulse width limited by safe operating area.

Safe Operating Area

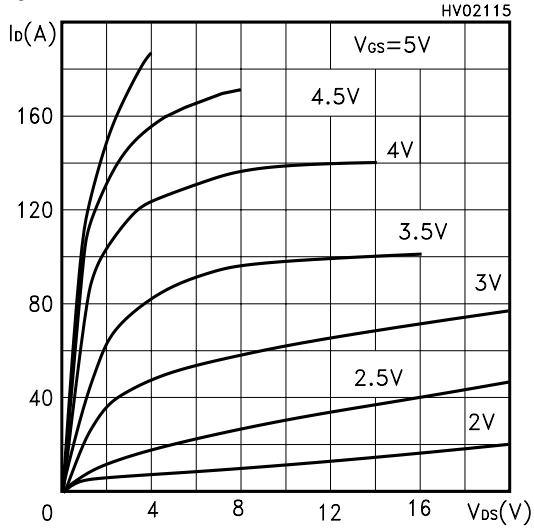


Thermal Impedance

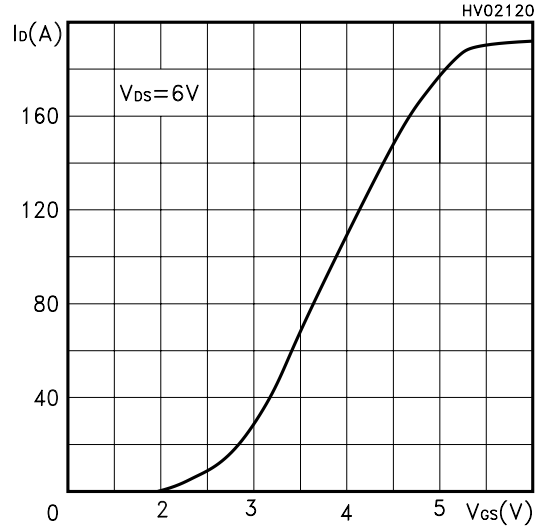


STP70NF03L/STB70NF03L-1

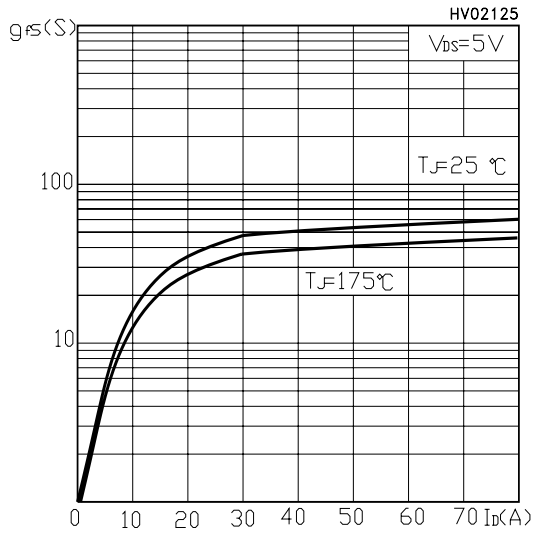
Output Characteristics



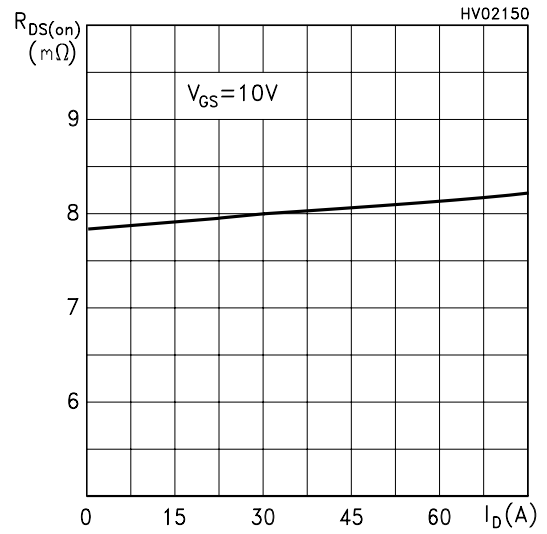
Transfer Characteristics



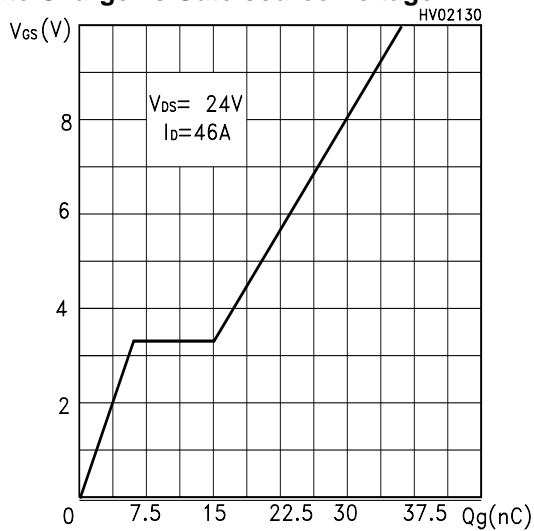
Transconductance



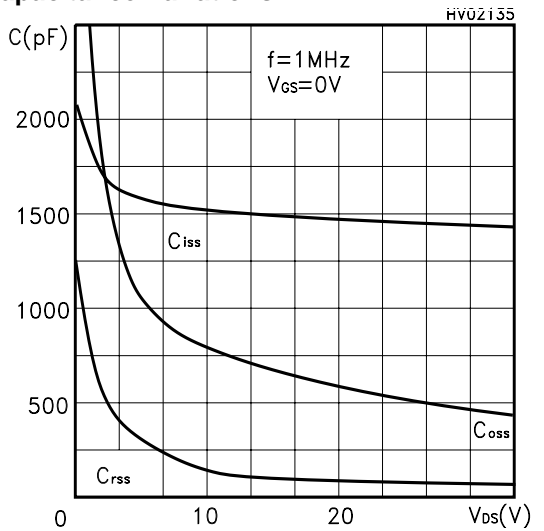
Static Drain-source On Resistance



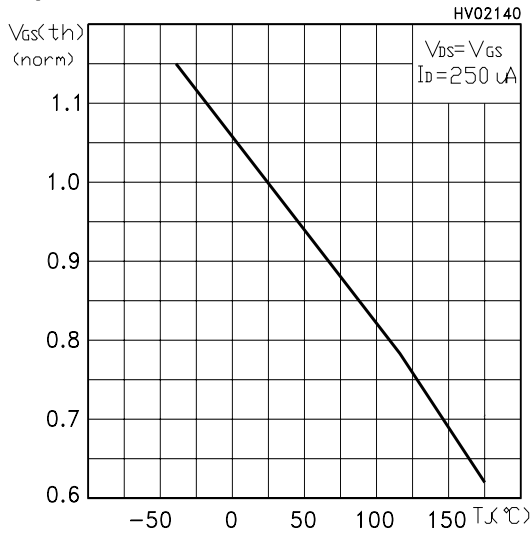
Gate Charge vs Gate-source Voltage



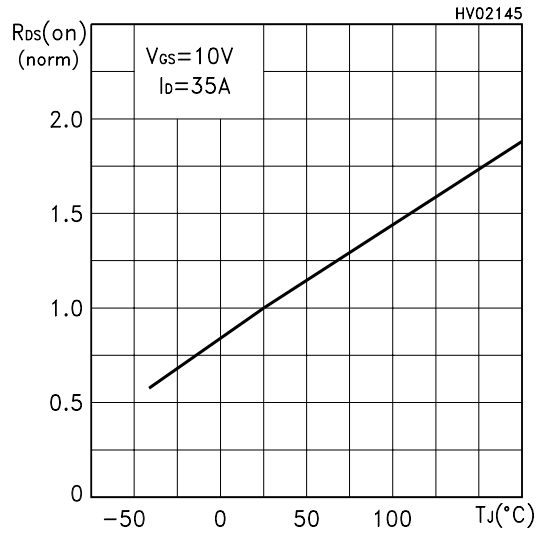
Capacitance Variations



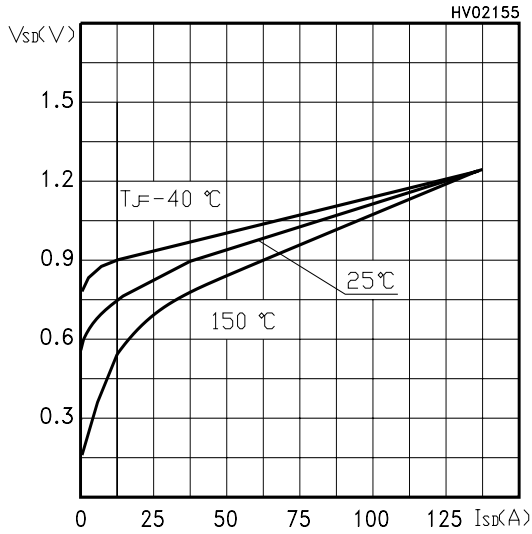
Normalized Gate Threshold Voltage vs Temperature



Normalized On Resistance vs Temperature



Source-drain Diode Forward Characteristics



STP70NF03L/STB70NF03L-1

Fig. 1: Unclamped Inductive Load Test Circuit

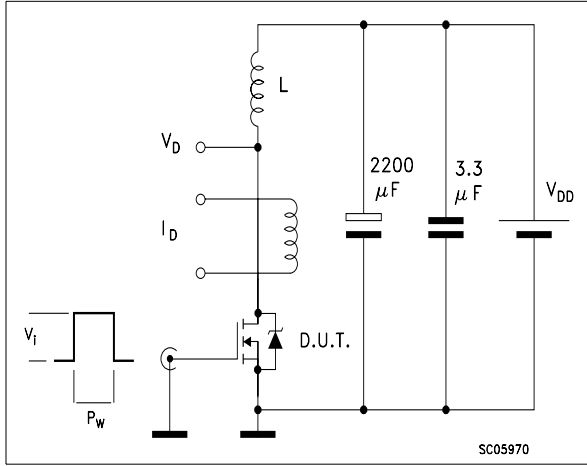


Fig. 2: Unclamped Inductive Waveform

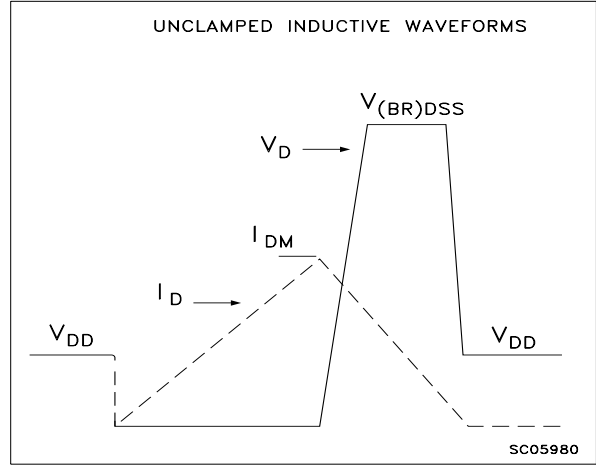


Fig. 3: Switching Times Test Circuit For Resistive Load

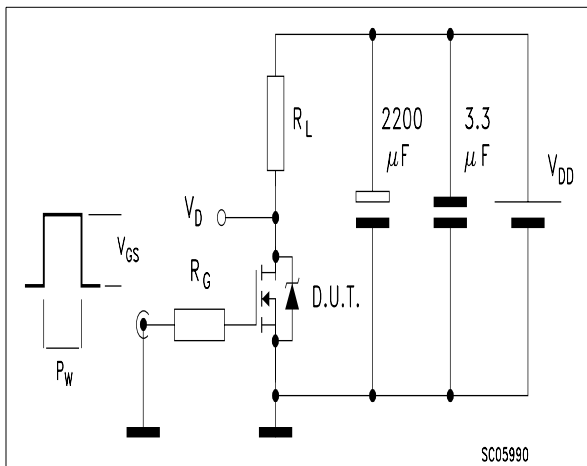


Fig. 4: Gate Charge test Circuit

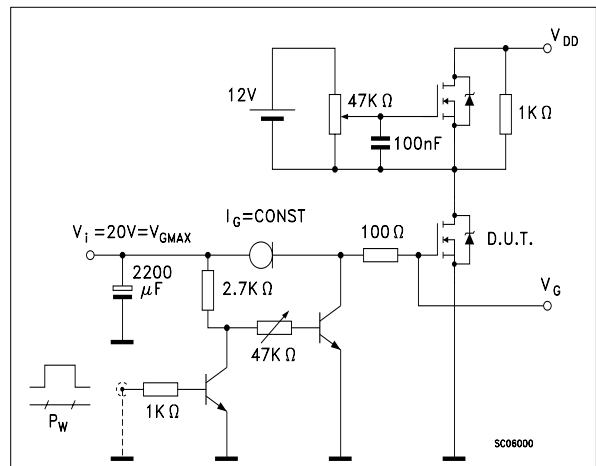
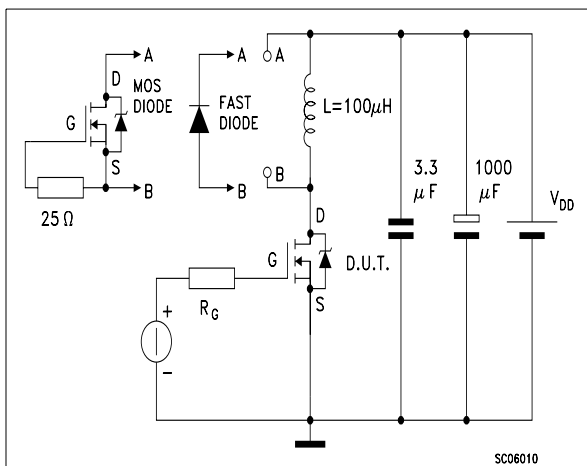
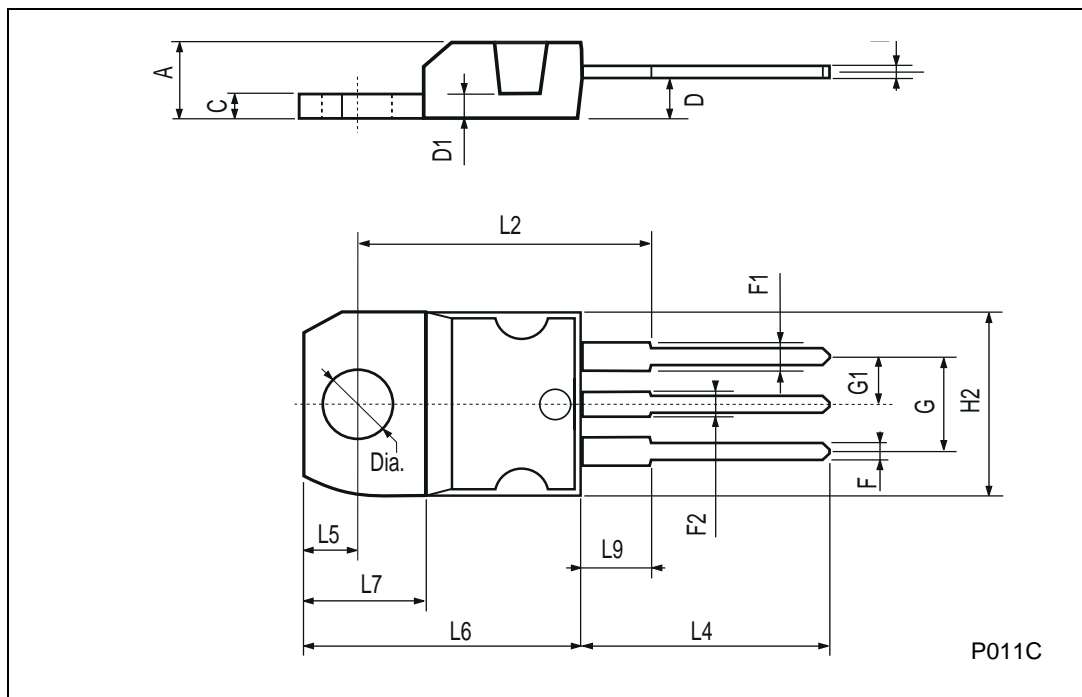


Fig. 5: Test Circuit For Inductive Load Switching And Diode Recovery Times



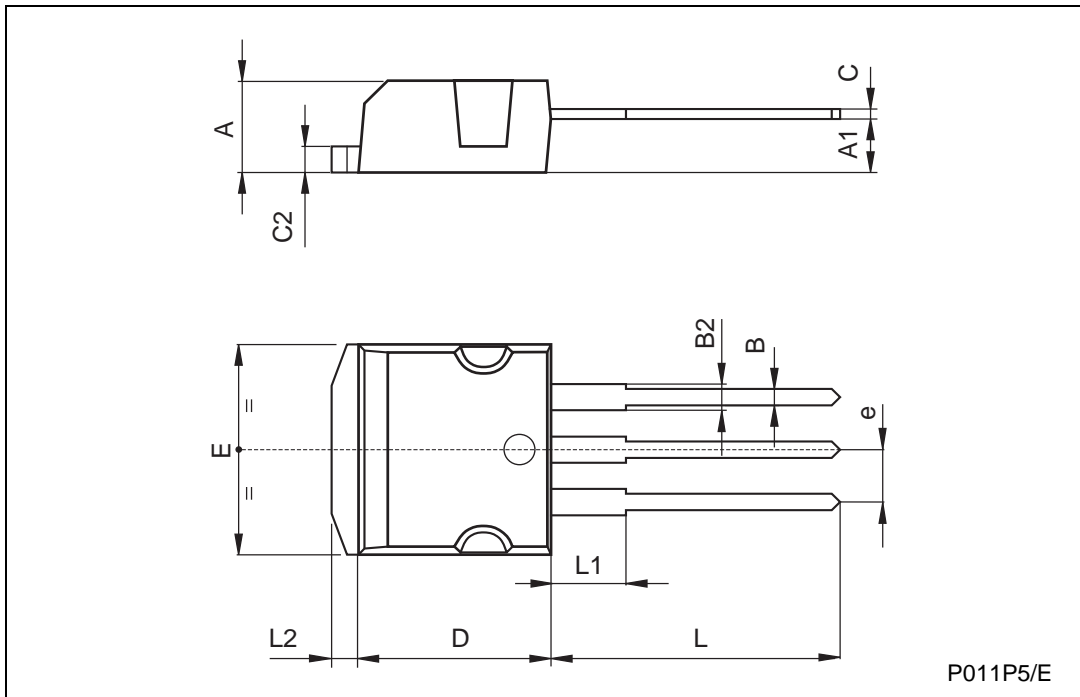
TO-220 MECHANICAL DATA

| DIM. | mm | | | inch | | |
|------|-------|------|-------|-------|-------|-------|
| | MIN. | TYP. | MAX. | MIN. | TYP. | MAX. |
| A | 4.40 | | 4.60 | 0.173 | | 0.181 |
| C | 1.23 | | 1.32 | 0.048 | | 0.051 |
| D | 2.40 | | 2.72 | 0.094 | | 0.107 |
| D1 | | 1.27 | | | 0.050 | |
| E | 0.49 | | 0.70 | 0.019 | | 0.027 |
| F | 0.61 | | 0.88 | 0.024 | | 0.034 |
| F1 | 1.14 | | 1.70 | 0.044 | | 0.067 |
| F2 | 1.14 | | 1.70 | 0.044 | | 0.067 |
| G | 4.95 | | 5.15 | 0.194 | | 0.203 |
| G1 | 2.4 | | 2.7 | 0.094 | | 0.106 |
| H2 | 10.0 | | 10.40 | 0.393 | | 0.409 |
| L2 | | 16.4 | | | 0.645 | |
| L4 | 13.0 | | 14.0 | 0.511 | | 0.551 |
| L5 | 2.65 | | 2.95 | 0.104 | | 0.116 |
| L6 | 15.25 | | 15.75 | 0.600 | | 0.620 |
| L7 | 6.2 | | 6.6 | 0.244 | | 0.260 |
| L9 | 3.5 | | 3.93 | 0.137 | | 0.154 |
| DIA. | 3.75 | | 3.85 | 0.147 | | 0.151 |



TO-262 (I²PAK) MECHANICAL DATA

| DIM. | mm | | | inch | | |
|------|------|------|------|-------|------|-------|
| | MIN. | TYP. | MAX. | MIN. | TYP. | MAX. |
| A | 4.4 | | 4.6 | 0.173 | | 0.181 |
| A1 | 2.49 | | 2.69 | 0.098 | | 0.106 |
| B | 0.7 | | 0.93 | 0.027 | | 0.036 |
| B2 | 1.14 | | 1.7 | 0.044 | | 0.067 |
| C | 0.45 | | 0.6 | 0.017 | | 0.023 |
| C2 | 1.23 | | 1.36 | 0.048 | | 0.053 |
| D | 8.95 | | 9.35 | 0.352 | | 0.368 |
| e | 2.4 | | 2.7 | 0.094 | | 0.106 |
| E | 10 | | 10.4 | 0.393 | | 0.409 |
| L | 13.1 | | 13.6 | 0.515 | | 0.531 |
| L1 | 3.48 | | 3.78 | 0.137 | | 0.149 |
| L2 | 1.27 | | 1.4 | 0.050 | | 0.055 |



P011P5/E

Information furnished is believed to be accurate and reliable. However, STMicroelectronics assumes no responsibility for the consequences of use of such information nor for any infringement of patents or other rights of third parties which may result from its use. No license is granted by implication or otherwise under any patent or patent rights of STMicroelectronics. Specification mentioned in this publication are subject to change without notice. This publication supersedes and replaces all information previously supplied. STMicroelectronics products are not authorized for use as critical components in life support devices or systems without express written approval of STMicroelectronics.

The ST logo is a trademark of STMicroelectronics

© 2000 STMicroelectronics – Printed in Italy – All Rights Reserved

STMicroelectronics GROUP OF COMPANIES

Australia - Brazil - China - Finland - France - Germany - Hong Kong - India - Italy - Japan - Malaysia - Malta - Morocco -
Singapore - Spain - Sweden - Switzerland - United Kingdom - U.S.A.

<http://www.st.com>