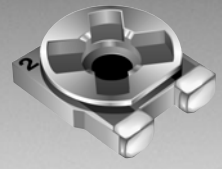


RoHS COMPLIANT



BOURNS®

Features

- Recommended for reflow processing
- Rotor design compatible with pick and place and automatic adjustment equipment
- 3 mm size meets EIA/EIAJ standard trimmer footprint

■ RoHS compliant* - see [processing information](#) on lead free surface mount trimmers

TC33 - 3 mm SMD Trimming Potentiometer

Electrical Characteristics

Standard Resistance Range100 ohms to 1 megohm (see standard resistance table)
 Resistance Tolerance±25 % std.
 Absolute Minimum Resistance
 ≤ 1 K Ohms20 ohms max.
 >1 K Ohms2 % max. of TR
 Contact Resistance Variation ..5 % max.
 ResolutionEssentially infinite
 Adjustment Angle260 ° ±20 °

Environmental Characteristics

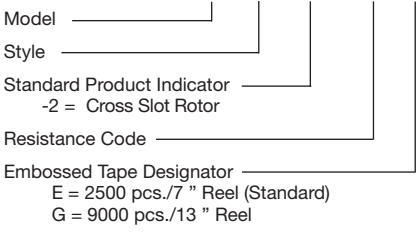
Power Rating (50 VDC max.)
 70 °C0.1 watt
 Temperature Range-40 °C to +120 °C
 Temperature Coefficient±250 ppm/°C
 Humidity95 %RH
 TRS max.±5 %
 Load Life
@ 70 °C rated power 1000 hours
 TRS ±5 %
 Rotational Cycling20 cycles
 TRS ± 10 %

Physical Characteristics

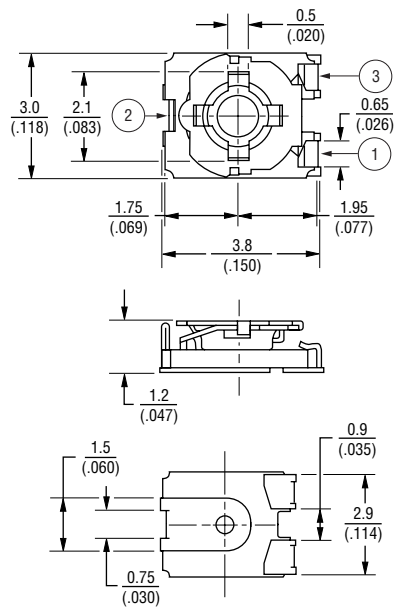
Torque0.98-11.76 mN-m max.
 Mechanical Angle270 ° ±20 °
 MarkingPart marking code
 Standard Packaging ...2500 pcs./7 " reel
 Adjustment ToolH-90

How To Order

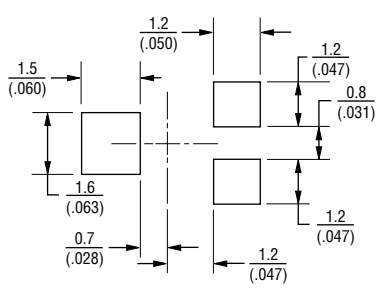
TC33 X - 2 - 103 E



Product Dimensions



Recommended Land Pattern

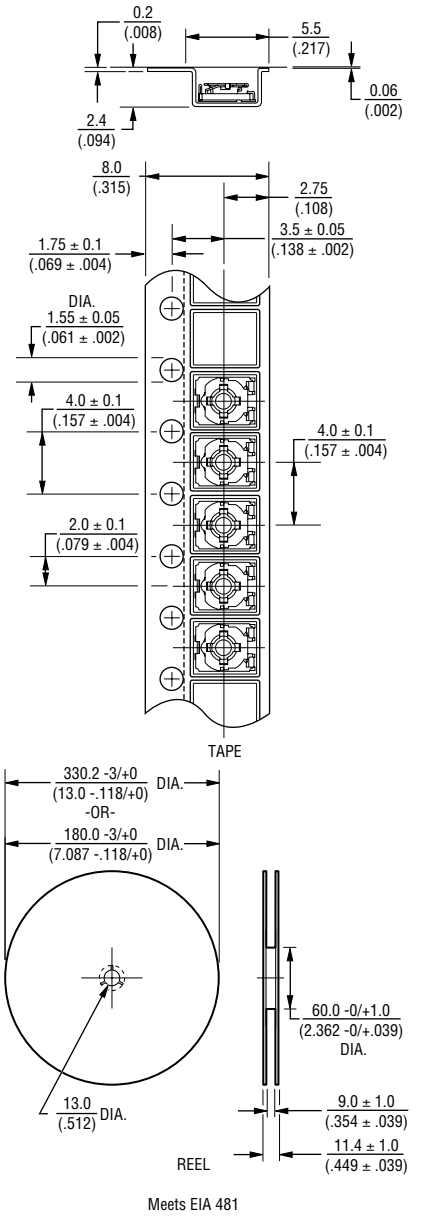


Standard Resistance Table

Resistance (Ohms)	Resistance Code
100	101
200	201
300	301
500	501
1,000	102
2,000	202
3,000	302
5,000	502
10,000	103
20,000	203
30,000	303
50,000	503
100,000	104
200,000	204
300,000	304
500,000	504
1,000,000	105

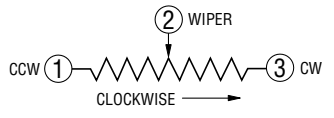
Popular distribution resistance values listed in boldface. Special resistances available.

Packaging Specifications



TOLERANCES: ± 0.3 / (.010) EXCEPT WHERE NOTED

DIMENSIONS: MM / (INCHES)



REV. 09/04

*RoHS Directive 2002/95/EC Jan 27 2003 including Annex. Specifications are subject to change without notice. Customers should verify actual device performance in their specific applications.