

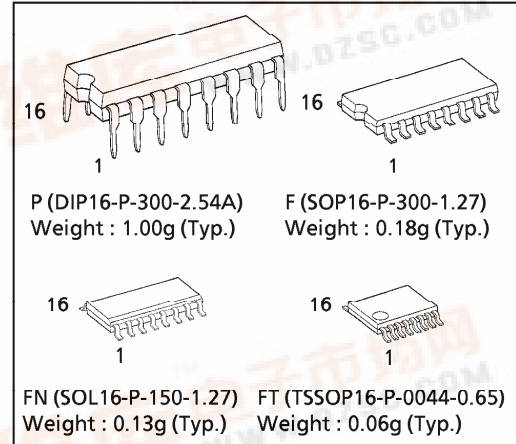
TOSHIBA CMOS DIGITAL INTEGRATED CIRCUIT SILICON MONOLITHIC

TC4051BP, TC4051BF, TC4051BFN, TC4051BFT
TC4052BP, TC4052BF, TC4052BFN, TC4052BFT
TC4053BP, TC4053BF, TC4053BFN, TC4053BFT

TC4051B SINGLE 8 – CHANNEL MULTIPLEXER / DEMULTIPLEXER
TC4052B DIFFERENTIAL 4 – CHANNEL MULTIPLEXER / DEMULTIPLEXER
TC4053B TRIPLE 2 – CHANNEL MULTIPLEXER / DEMULTIPLEXER

(Note) The JEDEC SOP (FN) is not available in Japan.

TC4051B, TC4052B and TC4053B are multiplexers with capabilities of selection and mixture of analog signal and digital signal. TC4051B has 8 channels configuration. TC4052B has 4 channel×2 configuration and TC4053B has 2 channel×3 configuration. The digital signal to the control terminal turns “ON” the corresponding switch of each channel, with large amplitude ($V_{DD}-V_{EE}$) can be switched by the control signal with small logical amplitude ($V_{DD}-V_{SS}$). For example, in the case of $V_{DD}=5V$ $V_{SS}=0V$ and $V_{EE}=-5V$, signals between $-5V$ and $+5V$ can be switched from the logical circuit with single power supply of 5 volts. As the ON-resistance of each switch is low, these can be connected to the circuits with low input impedance.



MAXIMUM RATINGS

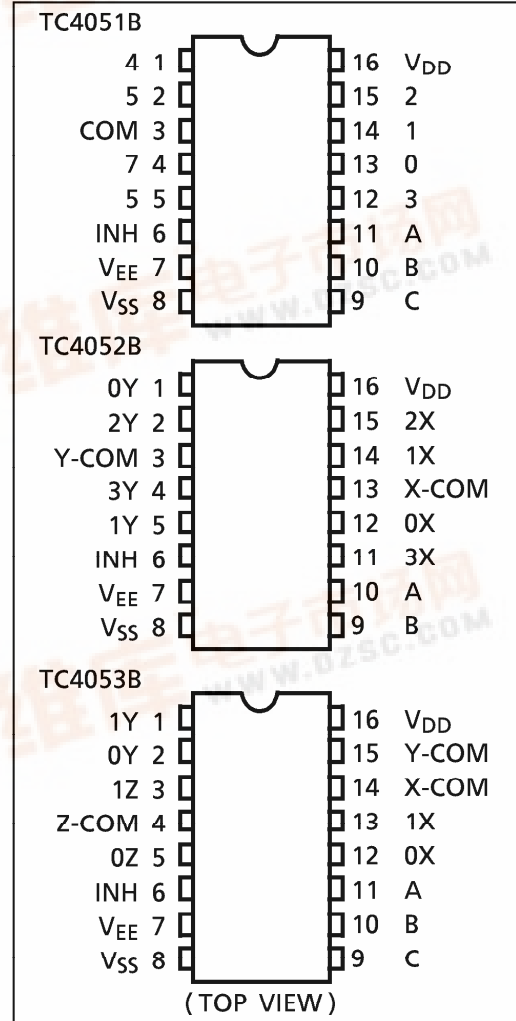
CHARACTERISTIC	SYMBOL	RATING	UNIT
DC Supply Voltage	$V_{DD} - V_{SS}$	- 0.5~20	V
DC Supply Voltage	$V_{DD} - V_{EE}$	- 0.5~20	V
Control Input Voltage	V_{CIN}	$V_{SS} - 0.5 \sim V_{DD} + 0.5$	V
Switch I/O Voltage	V_I / V_O	$V_{EE} - 0.5 \sim V_{DD} + 0.5$	V
Control Input Current	I_{CIN}	± 10	mA
Potential difference across I/O during ON	$V_I - V_O$	- 0.5~0.5	V
Power Dissipation	P_D	300 (DIP) / 180 (SOIC)	mW
Operating Temperature Range	T_{opr}	- 40~85	°C
Storage Temperature Range	T_{stg}	- 65~150	°C

TRUTH TABLE

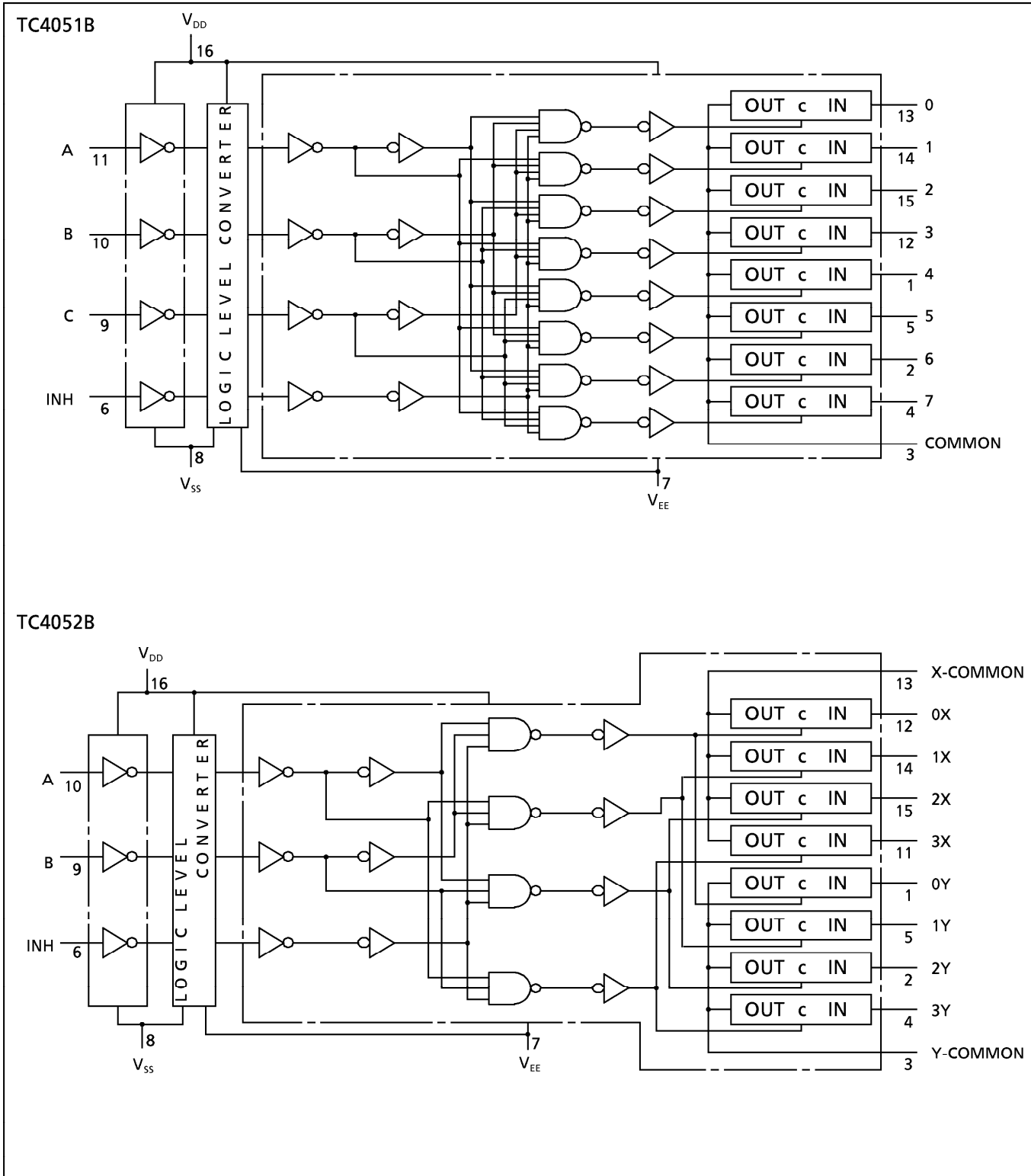
CONTROL INPUTS				"ON" CHANNEL		
INHIBIT	C△	B	A	TC4051B	TC4052B	TC4053B
L	L	L	L	0	0X, 0Y	0X, 0Y, 0Z
L	L	L	H	1	1X, 1Y	1X, 0Y, 0Z
L	L	H	L	2	2X, 2Y	0X, 1Y, 0Z
L	L	H	H	3	3X, 3Y	1X, 1Y, 0Z
L	H	L	L	4	—	0X, 0Y, 1Z
L	H	L	H	5	—	1X, 0Y, 1Z
L	H	H	L	6	—	0X, 1Y, 1Z
L	H	H	H	7	—	1X, 1Y, 1Z
H	*	*	*	NONE	NONE	NONE

* : Don't Care △ Except TC4052B

PIN ASSIGNMENT



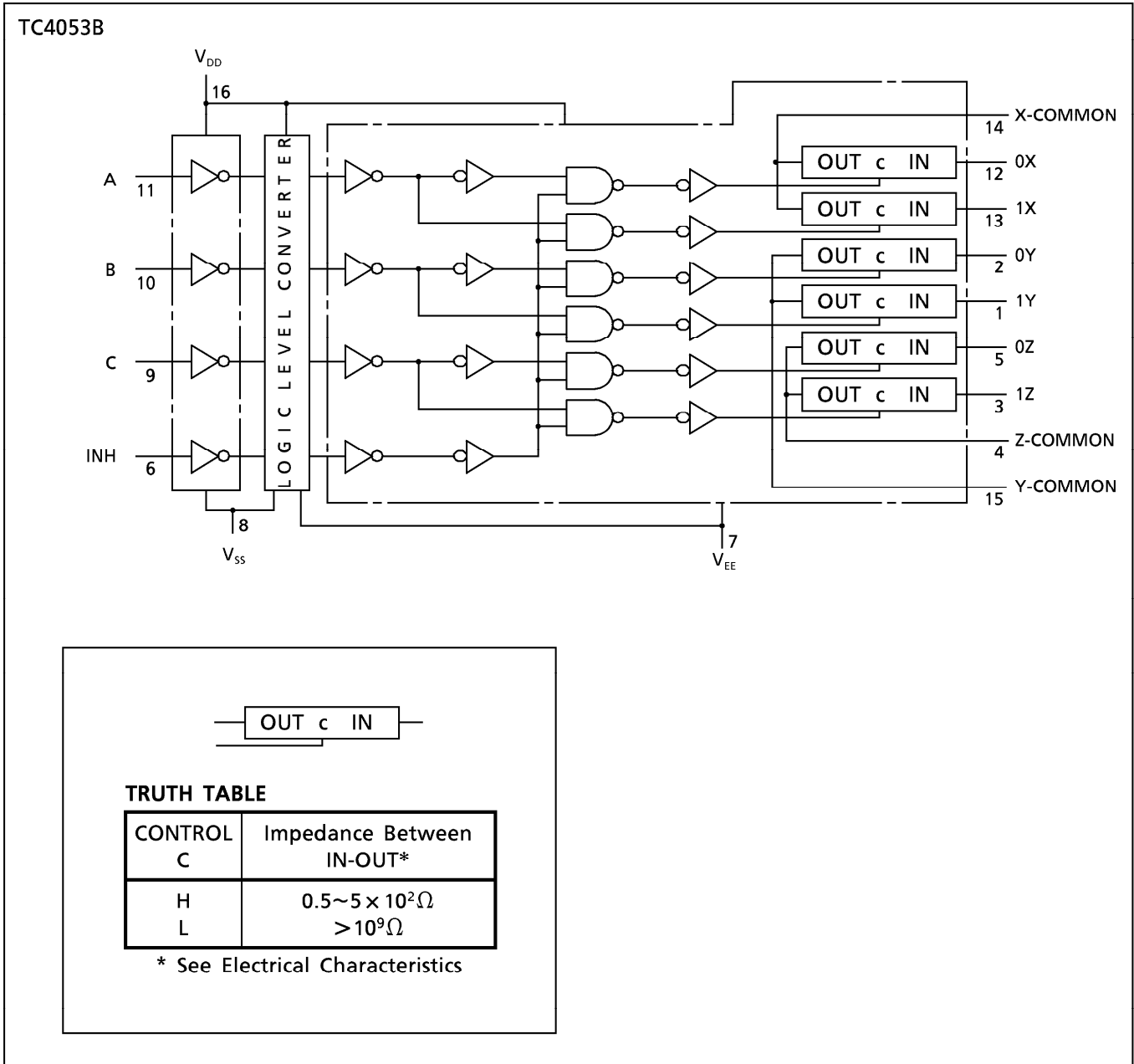
LOGIC DIAGRAM



961001EBA2'

● The products described in this document are subject to foreign exchange and foreign trade control laws.
 ● The information contained herein is presented only as a guide for the applications of our products. No responsibility is assumed by TOSHIBA CORPORATION for any infringements of intellectual property or other rights of the third parties which may result from its use. No license is granted by implication or otherwise under any intellectual property or other rights of TOSHIBA CORPORATION or others.
 ● The information contained herein is subject to change without notice.

LOGIC DIAGRAM



RECOMMENDED OPERATING CONDITIONS

CHARACTERISTIC	SYMBOL	TEST CONDITION	MIN.	TYP.	MAX.	UNIT
DC Supply Voltage	$V_{DD}-V_{SS}$		3	—	18	V
	$V_{DD}-V_{EE}$		3	—	18	
Control Input Voltage	V_{IN}		V_{SS}	—	V_{DD}	V
Input/Output Voltage	V_{IN}/V_{OUT}		V_{EE}	—	V_{DD}	V

STATIC ELECTRICAL CHARACTERISTICS

CHARACTERISTIC	SYM-BOL	TEST CONDI-TION	TEST CONDITIONS			- 40°C		25°C			85°C		UNIT
			V_{SS} (V)	V_{EE} (V)	V_{DD} (V)	MIN.	MAX.	MIN.	TYP.	MAX.	MIN.	MAX.	
Control Input High Voltage	V_{IH}	$V_{IS} = V_{DD}$ thru 1k Ω	$V_{EE} = V_{SS}$		5	3.5	—	3.5	2.75	—	3.5	—	V
			$R_L = 1k\Omega$		10	7.0	—	7.0	5.50	—	7.0	—	
			to V_{SS}		15	11.0	—	11.0	8.25	—	11.0	—	
Control Input Low Voltage	V_{IL}		$I_{IS} < 2\mu A$ on all OFF channels		5	—	1.5	—	2.25	1.5	—	1.5	V
					10	—	3.0	—	4.5	3.0	—	3.0	
					15	—	4.0	—	6.75	4.0	—	4.0	
On-State Resistance	R_{ON}	$0 \leq V_{IS} \leq V_{DD}$ $R_L = 10k\Omega$	0	0	5	—	850	—	240	950	—	1200	Ω
			0	0	10	—	210	—	110	250	—	300	
			0	0	15	—	140	—	80	160	—	200	
Δ On-State Resistance Between Any 2 Switches	$R_{ON\Delta}$		0	0	5	—	—	—	10	—	—	—	Ω
			0	0	10	—	—	—	6	—	—	—	
			0	0	15	—	—	—	4	—	—	—	
Input/Output Leakage Current	I_{OFF}	$V_{IN} = 18V, V_{OUT} = 0V$ $V_{IN} = 0V, V_{OUT} = 18V$			18	—	± 100	—	± 0.01	± 100	—	± 1000	nA
					18	—	± 100	—	± 0.01	± 100	—	± 1000	
Quiescent Supply Current	I_{DD}	$V_{IN} = V_{SS}, V_{DD}^*$			5	—	5.0	—	0.005	5.0	—	150	μA
					10	—	10	—	0.010	10	—	300	
					15	—	20	—	0.015	20	—	600	
Input Current	I_{IN}	$V_{IH} = 18V$ $V_{IL} = 0V$			18	—	0.1	—	10^{-5}	0.1	—	1.0	μA
					18	—	-0.1	—	-10^{-5}	-0.1	—	-1.0	
Input Capacitance	C_{IN}				—	—	—	5	7.5	—	—	pF	
Switch Input Capacitance	C_{IN}				—	—	—	10	—	—	—		
Output Capacitance	C_{OUT}	TC4051B TC4052B TC4053B			10	—	—	—	58	—	—		—
					10	—	—	—	30	—	—		—
					10	—	—	—	17	—	—		—
Feedthrough Capacitance	C_{IN-} C_{-OUT}	TC4051B TC4052B TC4053B			10	—	—	—	0.2	—	—	—	
					10	—	—	—	0.2	—	—	—	
					10	—	—	—	0.2	—	—	—	

* All valid input combinations.

DYNAMIC ELECTRICAL CHARACTERISTICS (Ta = 25°C, CL = 50pF)

CHARACTERISTIC	SYMBOL	TEST CONDITION	TEST CONDITION			MIN.	TYP.	MAX.	UNIT
			V _{SS} (V)	V _{EE} (V)	V _{DD} (V)				
Phase Difference Between Input to Output	φ _{I-O}		0	0	5	—	15	45	ns
			0	0	10	—	8	20	
			0	0	15	—	6	15	
Propagation Delay Time (A, B, C, - OUT)	t _{pZL} t _{pZH} t _{pLZ} t _{pHZ}	R _L = 1kΩ	0	0	5	—	170	550	
			0	0	10	—	90	240	
			0	0	15	—	70	160	
			0	-5	5	—	100	240	
			0	-7.5	7.5	—	80	160	
Propagation Delay Time (INH - OUT)	t _{pZL} t _{pZH}	R _L = 1kΩ	0	0	5	—	120	380	
			0	0	10	—	60	200	
			0	0	15	—	50	160	
			0	-5	5	—	80	200	
			0	-7.5	7.5	—	60	160	
Propagation Delay Time (INH - OUT)	t _{pLZ} t _{pHZ}	R _L = 1kΩ	0	0	5	—	170	450	
			0	0	10	—	90	210	
			0	0	15	—	70	160	
			0	-5	5	—	100	210	
			0	-7.5	7.5	—	80	160	
- 3dB Cutoff Frequency TC4051B TC4052B TC4053B	f _{MAX} (I - O)	R _L = 1kΩ (*1)	-5	-5	5	—	20	—	MHz
			-5	-5	5	—	30	—	
			-5	-5	5	—	40	—	
Total Harmonic Distortion	—	R _L = 10kΩ f = 1kHz (*2)	-2.5	-2.5	2.5	—	0.15	—	%
			-5	-5	5	—	0.03	—	
			-7.5	-7.5	7.5	—	0.02	—	
- 50dB Feedthrough (SWITCH OFF)	—	R _L = 1kΩ (*3)	-5	-5	5	—	500	—	kHz
Crosstalk	—	R _L = 1kΩ (*4)	-5	-5	5	—	1.5	—	MHz
Crosstalk (CONTROL - OUT)	—	R _{IN} = 1kΩ R _{OUT} = 10kΩ C _L = 15pF	0	0	5	—	200	—	mV
			0	0	10	—	400	—	
			0	0	15	—	600	—	

*1 Sine wave of ±2.5V_{p-p} shall be used for V_{is} and the frequency of $20 \log 10 \frac{V_{OS}}{V_{is}} = -3\text{dB}$ shall be f_{MAX}.

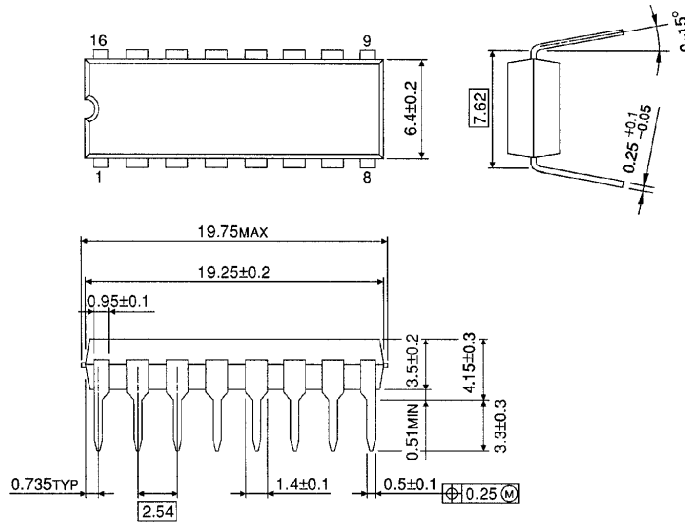
*2 V_{is} shall be sine wave of $\pm \left(\frac{V_{DD} - V_{EE}}{4} \right)$ p-p.

*3 Sine wave of ±2.5V_{p-p} shall be used for V_{is} and the frequency of $20 \log 10 \frac{V_{OS}}{V_{is}} = -50\text{dB}$ shall be feed-through.

*4 Sine wave of ±2.5V_{p-p} shall be used for V_{is} and the frequency of $20 \log 10 \frac{V_{OS}}{V_{is}} = -50\text{dB}$ shall be Crosstalk.

DIP 16PIN OUTLINE DRAWING (DIP16-P-300-2.54A)

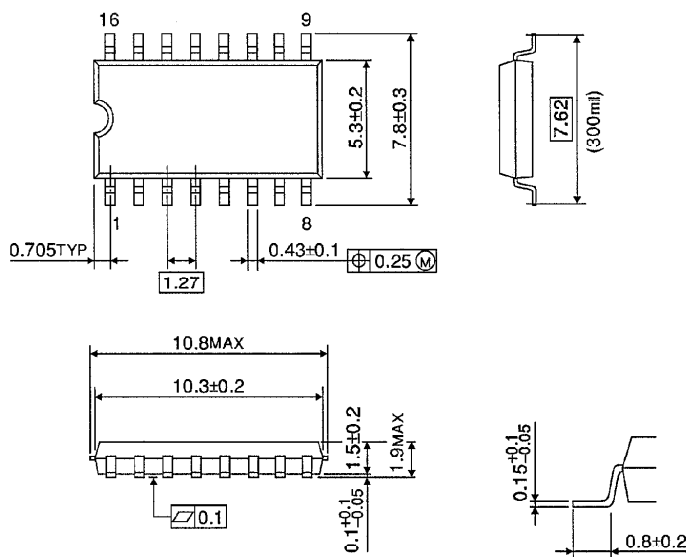
Unit in mm



Weight : 1.00g (Typ.)

SOP 16PIN (200mil BODY) OUTLINE DRAWING (SOP16-P-300-1.27)

Unit in mm

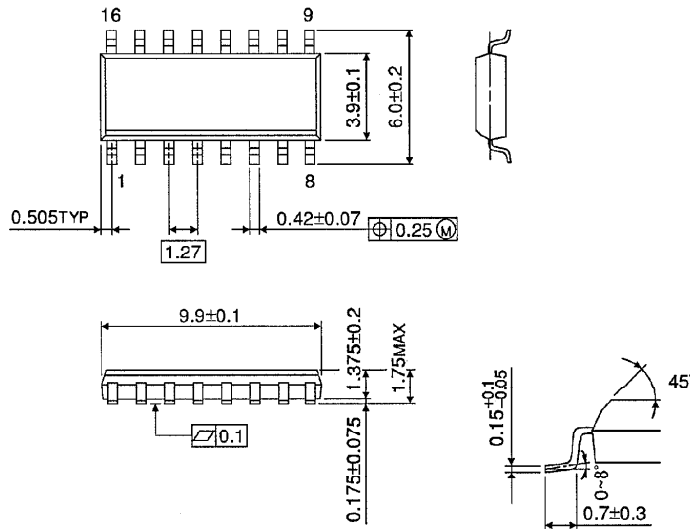


Weight : 0.18g (Typ.)

SOP 16PIN (150mil BODY) OUTLINE DRAWING (SOL16-P-150-1.27)

Unit in mm

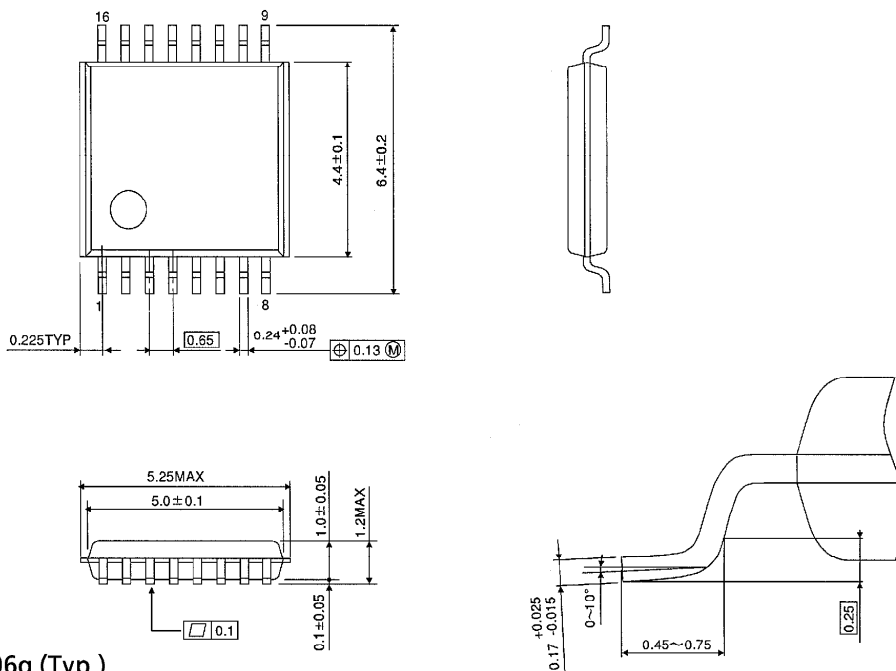
(Note) This package is not available in Japan.



Weight : 0.13g (Typ.)

TSSOP 16PIN OUTLINE DRAWING (TSSOP16-P-0044-0.65)

Unit in mm



Weight : 0.06g (Typ.)