

1.5A DUAL HIGH-SPEED POWER MOSFET DRIVERS

FEATURES

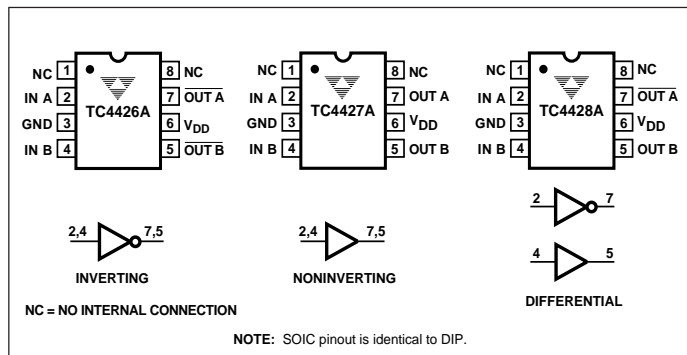
- High Peak Output Current 1.5A
- Wide Operating Range 4.5V to 18V
- High Capacitive Load Drive Capability 1000 pF in 25 nsec Typ
- Short Delay Time 30 nsec Typ
- Matched Rise, Fall and Delay Times
- Low Supply Current
 - With Logic “1” Input 1 mA Typ
 - With Logic “0” Input 100 μ A Typ
- Low Output Impedance 7 Ω Typ
- Latch-Up Protected: Will Withstand 0.5A Reverse Current
- Input Will Withstand Negative Inputs Up to 5V
- ESD Protected 4 kV
- Pinout Same as TC426/TC427/TC428

GENERAL DESCRIPTION

The TC4426A/4427A/4428A are improved versions of the earlier TC426/427/428 family of buffer/drivers (with which they are pin compatible). They will not latch up under any conditions within their power and voltage ratings. They are not subject to damage when up to 5V of noise spiking (of either polarity) occurs on the ground pin. They can accept, without damage or logic upset, up to 500 mA of reverse current (of either polarity) being forced back into their outputs. All terminals are fully protected against up to 4 kV of electrostatic discharge.

As MOSFET drivers, the TC4426A/4427A/4428A can easily switch 1000 pF gate capacitances in under 30 ns, and provide low enough impedances in both the ON and OFF states to ensure the MOSFET's intended state will not be affected, even by large transients.

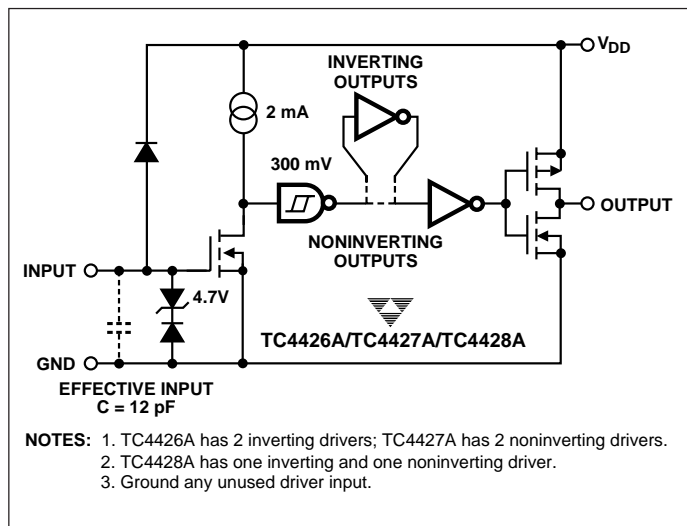
PIN CONFIGURATIONS



ORDERING INFORMATION

Part No.	Package	Temp. Range
TC4426ACOA	8-Pin SOIC	0°C to +70°C
TC4426ACPA	8-Pin Plastic DIP	0°C to +70°C
TC4426AEOA	8-Pin SOIC	-40°C to +85°C
TC4426AEPA	8-Pin Plastic DIP	-40°C to +85°C
TC4426AMJA	8-Pin CerDIP	-55°C to +125°C
TC4427ACOA	8-Pin SOIC	0°C to +70°C
TC4427ACPA	8-Pin Plastic DIP	0°C to +70°C
TC4427AEOA	8-Pin SOIC	-40°C to +85°C
TC4427AEPA	8-Pin Plastic DIP	-40°C to +85°C
TC4427AMJA	8-Pin CerDIP	-55°C to +125°C
TC4428ACOA	8-Pin SOIC	0°C to +70°C
TC4428ACPA	8-Pin Plastic DIP	0°C to +70°C
TC4428AEOA	8-Pin SOIC	-40°C to +85°C
TC4428AEPA	8-Pin Plastic DIP	-40°C to +85°C
TC4428AMJA	8-Pin CerDIP	-55°C to +125°C

FUNCTIONAL BLOCK DIAGRAM



1.5A DUAL HIGH-SPEED POWER MOSFET DRIVERS

TC4426A
TC4427A
TC4428A

ABSOLUTE MAXIMUM RATINGS*

Supply Voltage	+22V
Input Voltage, IN A or IN B.. ($V_{DD} + 0.3V$) to ($GND - 5.0V$)	
Maximum Chip Temperature	+150°C
Storage Temperature Range	- 65°C to +150°C
Lead Temperature (Soldering, 10 sec)	+300°C
Package Thermal Resistance	
CerDIP $R_{\theta J-A}$	150°C/W
CerDIP $R_{\theta J-C}$	50°C/W
PDIP $R_{\theta J-A}$	125°C/W
PDIP $R_{\theta J-C}$	42°C/W
SOIC $R_{\theta J-A}$	155°C/W
SOIC $R_{\theta J-C}$	45°C/W

Operating Temperature Range

C Version	0°C to +70°C
E Version	- 40°C to +85°C
M Version	- 55°C to +125°C

Package Power Dissipation ($T_A \leq 70^\circ\text{C}$)

Plastic	730mW
CerDIP	800mW
SOIC	470mW

*Static-sensitive device. Unused devices must be stored in conductive material. Protect devices from static discharge and static fields. Stresses above those listed under "Absolute Maximum Ratings" may cause permanent damage to the device. These are stress ratings only and functional operation of the device at these or any other conditions above those indicated in the operation sections of the specifications is not implied. Exposure to absolute maximum rating conditions for extended periods may affect device reliability.

ELECTRICAL CHARACTERISTICS: Over operating temperature range with $4.5V \leq V_{DD} \leq 18V$, unless otherwise specified.

Symbol	Parameter	Test Conditions	Min	Typ	Max	Unit	
Input							
V_{IH}	Logic 1 High Input Voltage			2.4	—	—	V
V_{IL}	Logic 0 Low Input Voltage			—	—	0.8	V
I_{IN}	Input Current	$-0V \leq V_{IN} \leq V_{DD}$	$T_A = 25^\circ\text{C}$ $-40^\circ\text{C} \leq T_A \leq 85^\circ\text{C}$	-1 -10	—	1 10	μA
Output							
V_{OH}	High Output Voltage	DC Test		$V_{DD} - 0.025$	—	—	V
V_{OL}	Low Output Voltage	DC Test		—	—	0.025	V
R_O	Output Resistance	$V_{DD} = 18V, I_O = 10\text{mA}$	$T_A = 25^\circ\text{C}$ $0^\circ\text{C} \leq T_A \leq 70^\circ\text{C}$ $-40^\circ\text{C} \leq T_A \leq 85^\circ\text{C}$	— — —	7 7 8	9 10 11	Ω
I_{PK}	Peak Output Current	$V_{DD} = 18V$		—	1.5	—	A
I_{REV}	Latch-Up Protection Withstand Reverse Current	Duty Cycle $\leq 2\%$ $t \leq 300\mu\text{sec}$	$V_{DD} = 18V$	0.5	—	—	A
Switching Time (Note 1)							
t_R	Rise Time	Figure 1	$T_A = 25^\circ\text{C}$ $0^\circ\text{C} \leq T_A \leq 70^\circ\text{C}$ $-40^\circ\text{C} \leq T_A \leq 85^\circ\text{C}$	— — —	25 27 29	35 40 40	nsec
t_F	Fall Time	Figure 1	$T_A = 25^\circ\text{C}$ $0^\circ\text{C} \leq T_A \leq 70^\circ\text{C}$ $-40^\circ\text{C} \leq T_A \leq 85^\circ\text{C}$	— — —	25 27 29	35 40 40	nsec
t_{D1}	Delay Time	Figure 1	$T_A = 25^\circ\text{C}$ $0^\circ\text{C} \leq T_A \leq 70^\circ\text{C}$ $-40^\circ\text{C} \leq T_A \leq 85^\circ\text{C}$	— — —	30 33 35	35 40 45	nsec
t_{D2}	Delay Time	Figure 1	$T_A = 25^\circ\text{C}$ $0^\circ\text{C} \leq T_A \leq 70^\circ\text{C}$ $-40^\circ\text{C} \leq T_A \leq 85^\circ\text{C}$	— — —	30 33 35	35 40 45	nsec
Power Supply							
I_S	Power Supply Current	$V_{IN} = 3V$ (Both Inputs) $V_{IN} = 0V$ (Both Inputs)	$V_{DD} = 18V$	— —	1.0 0.1	2.0 0.2	mA

NOTE: 1. Switching times are guaranteed by design.

1.5A DUAL HIGH-SPEED POWER MOSFET DRIVERS

TC4426A
TC4427A
TC4428A

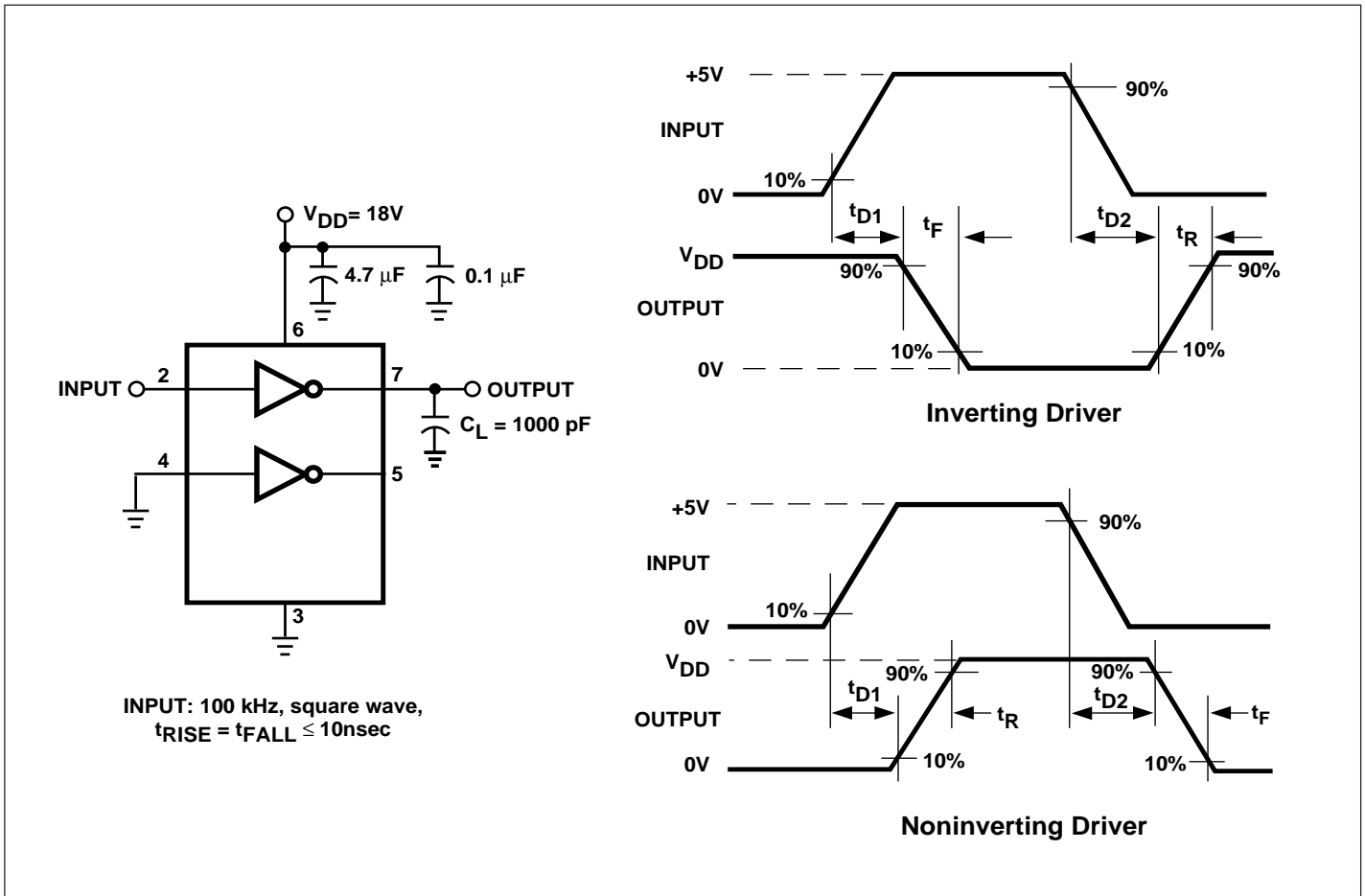


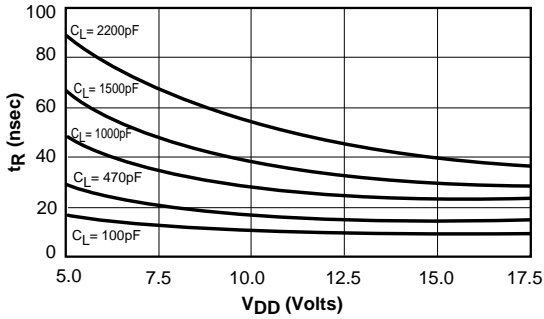
Figure 1. Switching Time Test Circuit

4

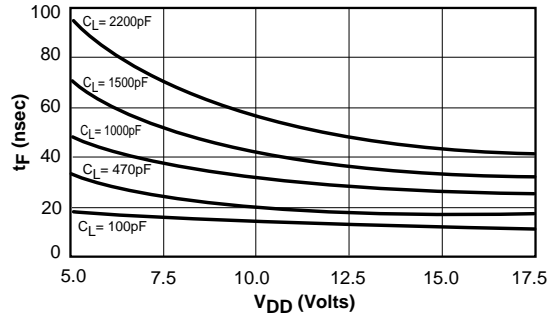
TC4426A
TC4427A
TC4428A

TYPICAL CHARACTERISTICS

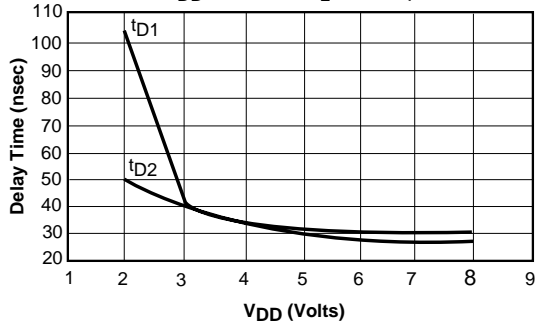
Rise Time vs. Supply Voltage
Temperature = 25°C



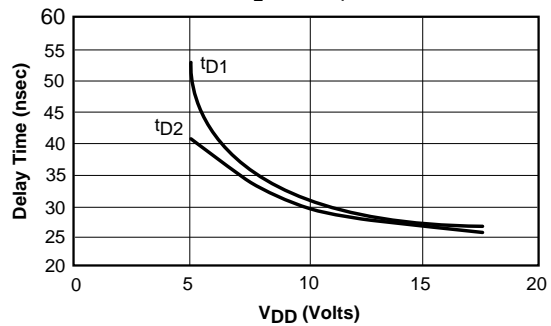
Fall Time vs. Supply Voltage
Temperature = 25°C



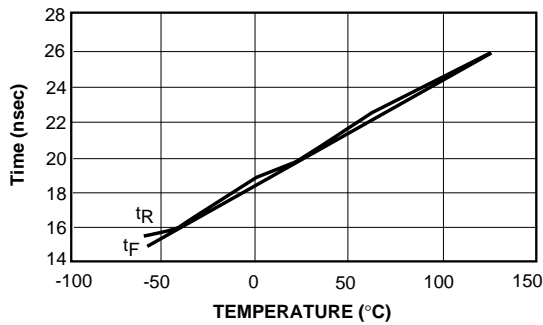
Effect of Input Amplitude on Delay
VDD = 10V CL = 1000pF



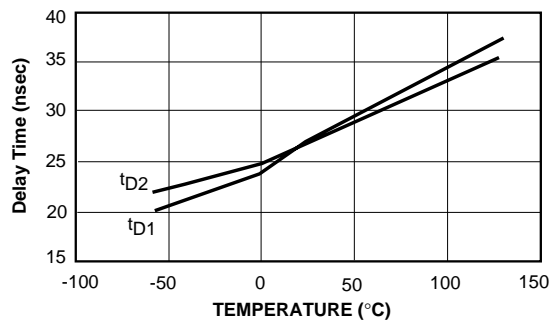
Propagation Delay Time vs. Supply Voltage
CL = 1000pF



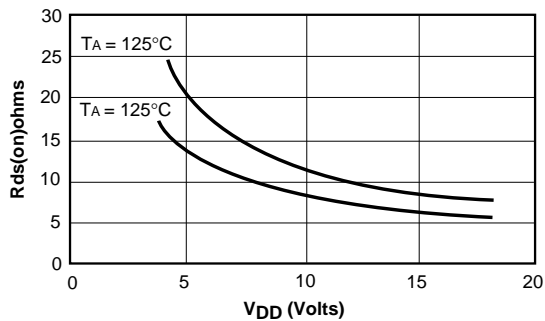
Rise and Fall Times vs. Temperature
VDD = 18V CL = 1000pF



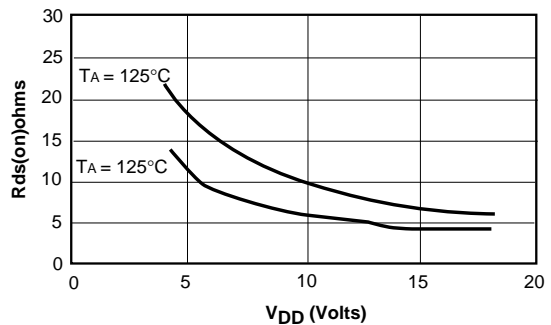
Propagation Delay Time vs. Temperature
VDD = 18V CL = 1000pF



High-State Output Resistance



Low State Output Resistance

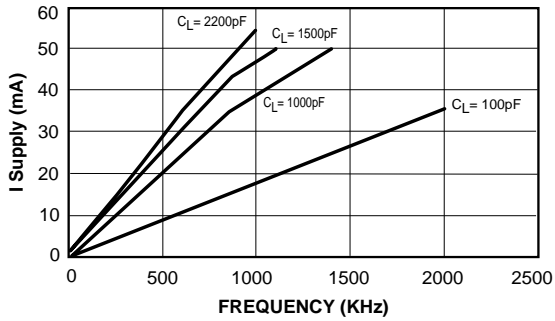


1.5A DUAL HIGH-SPEED POWER MOSFET DRIVERS

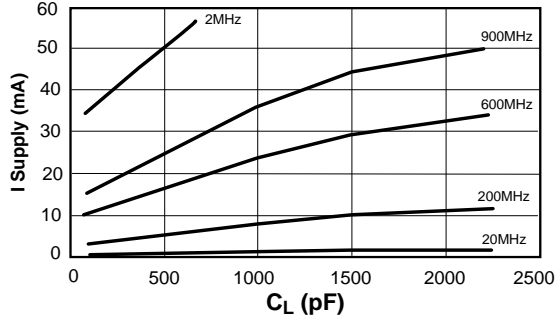
TC4426A
TC4427A
TC4428A

TYPICAL CHARACTERISTICS (Cont.)

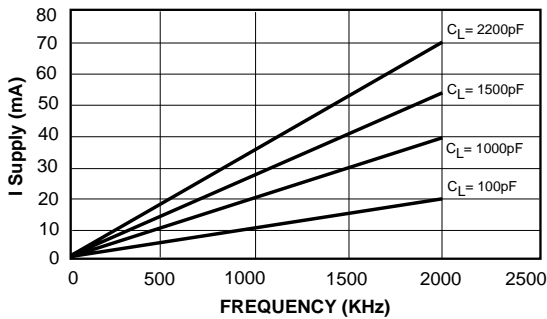
Supply Current vs. Frequency
 $V_{DD} = 18V$



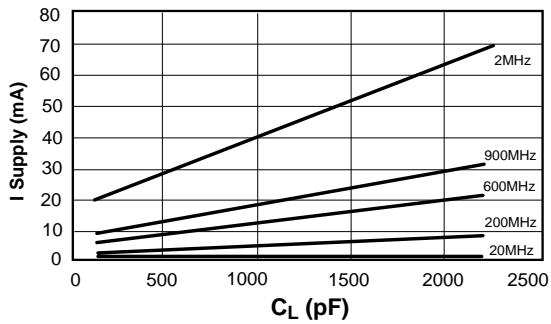
Supply Current vs. Capacitance Load
 $V_{DD} = 18V$



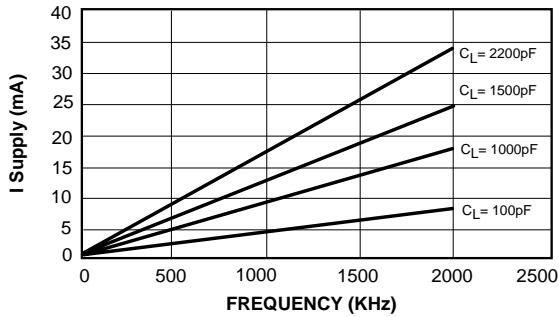
Supply Current vs. Frequency
 $V_{DD} = 12V$



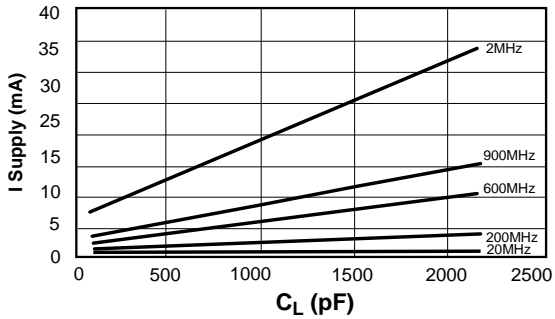
Supply Current vs. Capacitance Load
 $V_{DD} = 12V$



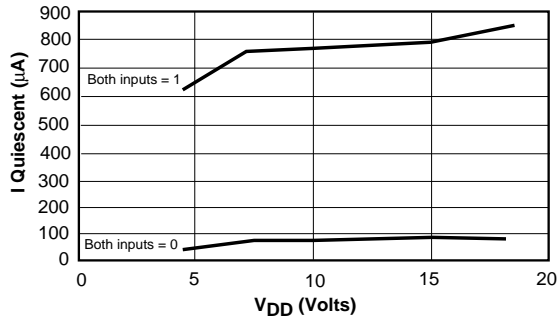
Supply Current vs. Frequency
 $V_{DD} = 6V$



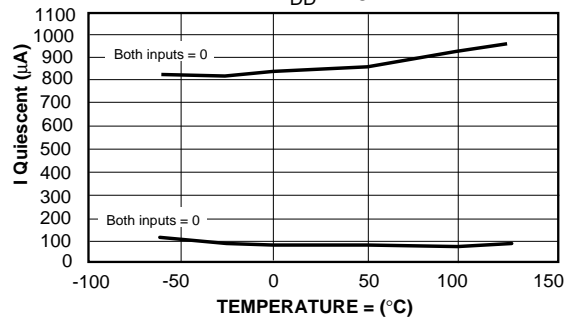
Supply Current vs. Capacitance Load
 $V_{DD} = 6V$



Quiescent Supply Current vs. Voltage
TEMPERATURE = 25°C



Quiescent Supply Current vs. Temperature
 $V_{DD} = 18V$



4

Copyright © Each Manufacturing Company.

All Datasheets cannot be modified without permission.

This datasheet has been download from :

www.AllDataSheet.com

100% Free DataSheet Search Site.

Free Download.

No Register.

Fast Search System.

www.AllDataSheet.com