

TOSHIBA CMOS DIGITAL INTEGRATED CIRCUIT SILICON MONOLITHIC

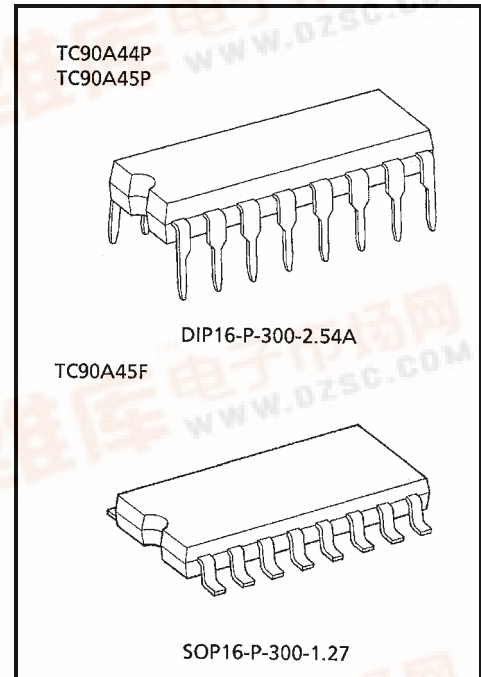
TC90A44P, TC90A45P, TC90A45F

NTSC 2-LINE DIGITAL Y / C SEPARATION IC

The TC90A44P, TC90A45P / F separates luminance (Y) and chrominance (C) signals from NTSC system composite video signal by using 2 horizontal (H) lines separation. The Y / C separation unit for TV and VCR set is able to assembled at low cost, because it requires few external parts and no adjustment.

FEATURES

- TV system : NTSC
- PLL4 × multiplication circuit
- sync. tip clamping circuit
- Internal 8 bit A / D converter
- Internal 8 bit D / A converters (2 ch.)
- 1 H line memory
- Dynamic comb filter
- Color killer mode (Y / C separation OFF)
- DIP16 / SOP16 package
- 5 V single power supply



Weight
 DIP16-P-300-2.54A : 1.00 g (Typ.)
 SOP16-P-300-1.27 : 0.18 g (Typ.)

000707EBA1

• TOSHIBA is continually working to improve the quality and reliability of its products. Nevertheless, semiconductor devices in general can malfunction or fail due to their inherent electrical sensitivity and vulnerability to physical stress. It is the responsibility of the buyer, when utilizing TOSHIBA products, to comply with the standards of safety in making a safe design for the entire system, and to avoid situations in which a malfunction or failure of such TOSHIBA products could cause loss of human life, bodily injury or damage to property.
 In developing your designs, please ensure that TOSHIBA products are used within specified operating ranges as set forth in the most recent TOSHIBA products specifications. Also, please keep in mind the precautions and conditions set forth in the "Handling Guide for Semiconductor Devices," or "TOSHIBA Semiconductor Reliability Handbook" etc..

• The TOSHIBA products listed in this document are intended for usage in general electronics applications (computer, personal equipment, office equipment, measuring equipment, industrial robotics, domestic appliances, etc.). These TOSHIBA products are neither intended nor warranted for usage in equipment that requires extraordinarily high quality and/or reliability or a malfunction or failure of which may cause loss of human life or bodily injury ("Unintended Usage"). Unintended Usage include atomic energy control instruments, airplane or spaceship instruments, transportation instruments, traffic signal instruments, combustion control instruments, medical instruments, all types of safety devices, etc.. Unintended Usage of TOSHIBA products listed in this document shall be made at the customer's own risk.

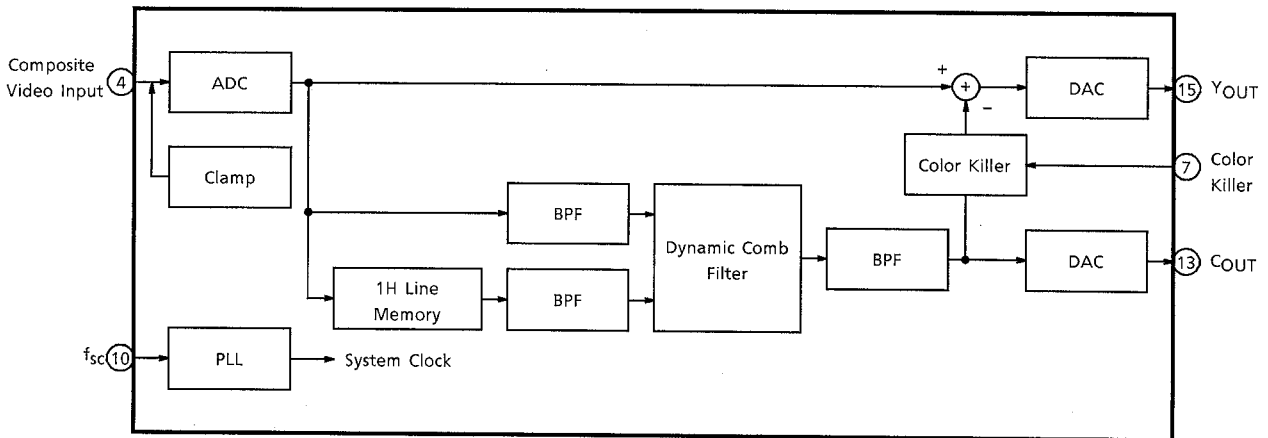
• The products described in this document are subject to the foreign exchange and foreign trade laws.

• The information contained herein is presented only as a guide for the applications of our products. No responsibility is assumed by TOSHIBA CORPORATION for any infringements of intellectual property or other rights of the third parties which may result from its use. No license is granted by implication or otherwise under any intellectual property or other rights of TOSHIBA CORPORATION or others.

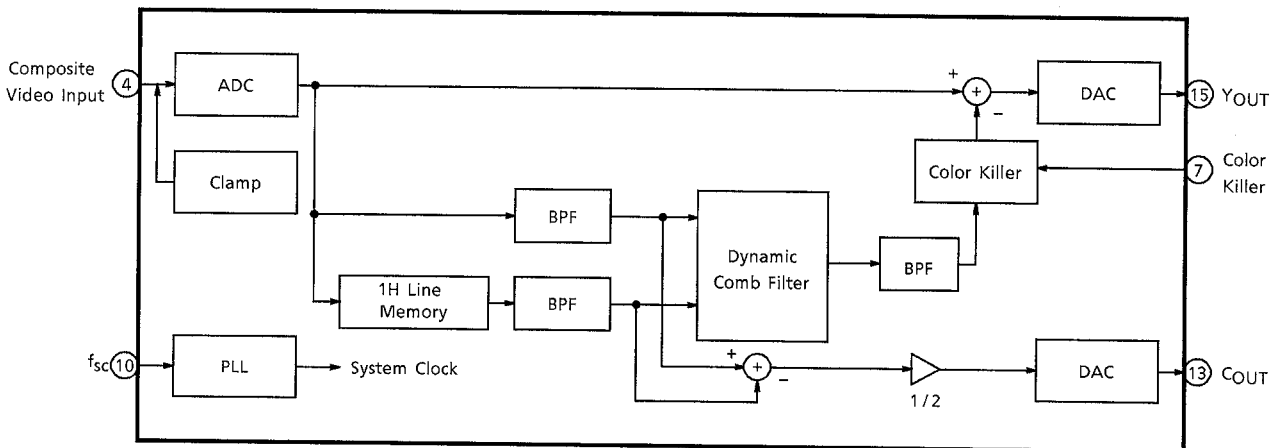
• The information contained herein is subject to change without notice.



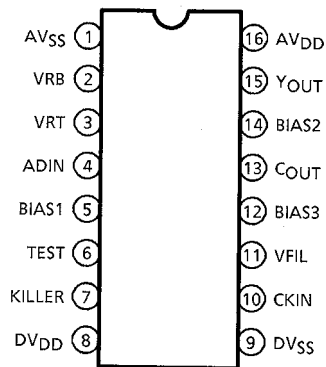
**TC90A44P
BLOCK DIAGRAM**



**TC90A45P / F
BLOCK DIAGRAM**



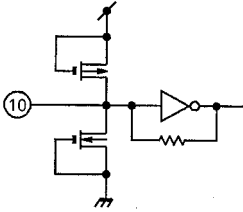
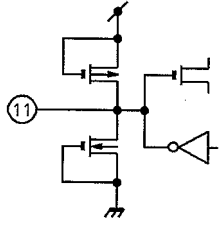
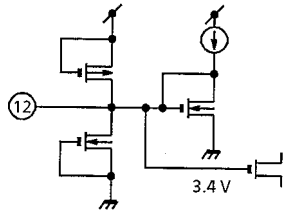
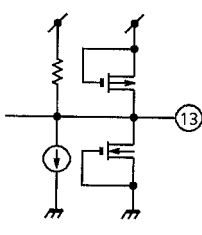
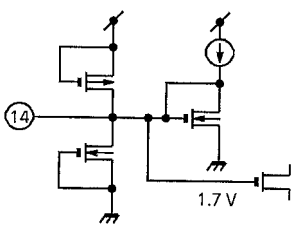
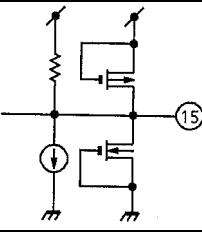
TERMINAL CONNECTION DIAGRAM



(TOP VIEW)

TERMINAL FUNCTION

PIN No.	NAME	FUNCTION	I / O	INTERFACE CIRCUIT
1	AV _{SS}	Ground for analog components.	-	—
2	VRB	ADC bias lower limit reference voltage. This defaults internally to approximately 2.25 V, so this pin should normally be connected to ground (AV _{SS}) through a 0.01 μ F capacitor.	-	
3	VRT	ADC bias higher limit reference voltage. This defaults internally to approximately 2.8 V, so this pin should normally be connected to ground (AV _{SS}) through a 0.01 μ F capacitor.	-	
4	ADIN	Composite video signal input.	I	
5	BIAS1	ADC bias voltage. This defaults internally to approximately 1.3 V, so this pin should normally be connected to ground (AV _{SS}) through a 0.01 μ F capacitor.	-	
6	TEST	Test terminal. Normally connected to ground (DV _{SS}).	-	
7	KILLER	This pin is switch for color killer circuit. H : For B / W signal, Y / C separation OFF. L : Normal Y / C separation	I	

PIN No.	NAME	FUNCTION	I / O	INTERFACE CIRCUIT
8	DV _{DD}	Power supply for digital components (+5 V).	-	-
9	DV _{SS}	Ground for digital components.	-	-
10	CKIN	Clock input. After applying capacitor for DC cut, input a color-burst-synchronized f _{SC} clock signal to this pin.	I	
11	VFIL	Connect a VCO filter to this pin.	-	
12	BIAS3	DAC bias voltage. This defaults internally to approximately 3.4 V, so this pin should normally be connected to ground (AV _{SS}) through a 0.01 μF capacitor.	-	
13	C _{OUT}	Chrominance signal output.	O	
14	BIAS2	DAC bias voltage. This defaults internally to approximately 1.7 V, so this pin should normally be connected to ground (AV _{SS}) through a 0.01 μF capacitor.	-	
15	Y _{OUT}	Luminance signal output.	O	
16	AV _{DD}	Power supply for analog components (+5 V)	-	-

FUNCTION BLOCK DESCRIPTIONS

(1) Input clamp (CLAMP)

This is sync tip clamp circuit for composite signal.

This circuit makes feedback so that the min. data after A / D converter at Y / C separation equal to internal DC bias level.

(2) A / D converter (ADC)

This is high speed series-parallel 8 bit A / D converter (Dynamic Range: 1.0V). Recommendable Input level is 0.75 V_{p-p} (Sync tip~white 100%).

(3) Line memory

This block is DRAM line memory for 1 H delay.

(4) Band-pass filter (BPF)

This filter extracts the signal of chrominance band from composite video signal. The center frequency is f_{sc}.

(5) Dynamic comb filter (DCF)

This block is logical comb filter to extract the chrominance signal. Filtering logic applies a correlation of two lines to reduce color dot crawl and cross color.

(6) Color killer circuit (KILLER)

This block is applied for black and white (B / W) signal regardless of have color burst or no color burts. When pin 10 (KILLER) is "H", logic stop Y / C separation and output composite video signal from pin 14 (YOUT).

(7) PLL (4 times multiply clock generator)

This block is 4 times multiplier and makes 4f_{sc} as system clock.

This block supplies system clock (4f_{sc}) to each block via buffer and generates timing signal for memories.

(8) D / A converter (DAC)

This is high speed 8 bit D / A converter. Y output level is 1.73 V_{p-p} (Typ.).

C output level is 437 mV_{p-p} (Typ.). (Input condition is 0.75V_{p-p})

MAXIMUM RATINGS (Ta = 25°C)

CHARACTERISTIC		SYMBOL	RATING	UNIT
Power Supply Voltage		V _{DD}	V _{SS} -V _{SS} + 6.5	V
Input Voltage		V _{IN}	-0.3~V _{DD} + 0.3	V
Power Dissipation	TC90A44P/45P	P _D (Note)	600	mW
	TC90A45F		440	
Storage Temperature		T _{stg}	-55~125	°C

(Note) : Ta = 70°C

RECOMMENDED OPERATING CONDITION

CHARACTERISTIC	SYMBOL	TEST CONDITION	MIN.	TYP.	MAX.	UNIT
Power Supply Voltage	V _{DD}	-	4.75	5.00	5.25	V
Input Voltage	V _{IN}	-	0	-	V _{DD}	V
Operating Temperature	T _{opr}	-	-10	-	70	°C

ELECTRICAL CHARACTERISTICS

DC CHARACTERISTICS (Ta = 25°C, V_{DD} = 5 V)

CHARACTERISTIC		SYMBOL	TEST CIR-CUIT	TEST CONDITION	MIN.	TYP.	MAX.	UNIT
Power Supply Voltage		V _{DD}	1	CLOCK = 3.579545 MHz V _{IN} = 0.75 V _{p-p}	4.75	5.00	5.25	V
Supply Current		I _{DD}	1		45	60	75	mA
Output Voltage Level		Y _{OUT} (sync tip)	1		2.55	2.70	2.85	V
		C _{OUT} (center)			3.70	3.85	4.00	
Terminal Voltage Level		VRB	1		2.15	2.25	2.35	V
		VRT			2.7	2.8	2.9	
		ADIN (sync tip)			1.9	2.0	2.1	
		BIAS1			1.0	1.3	1.7	
		BIAS2			1.2	1.7	2.1	
		BIAS3			3.0	3.4	4.0	
		VFIL			1.2	1.9	3.0	
CKIN		1.8	2.3		2.8			
Input Voltage	High Level	V _{IH}	1		4	-	-	V
	Low Level	V _{IL}	1		-	-	1	V

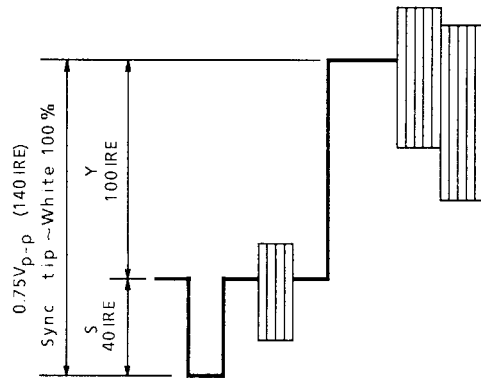
AC CHARACTERISTICS

(1)Y output (Ta = 25°C, V_{DD} = 5 V, input clock : 3.579545 MHz 0.4 V_{p-p}, S₁ = 1)

CHARACTERISTICS		SYMBOL	TEST CIRCUIT	TEST CONDITION	MIN.	TYP.	MAX.	UNIT
Input Level		V _{IN}	1	0~140 IRE	-	0.75	-	V _{p-p}
Low Frequency Gain		G _V	1	S ₂ = 1, S ₃ = 1, S ₄ = 2 V _{IN} = 15.73426 kHz, 0.75 V _{p-p} , V _{dc} = 2.5 V	6.8	7.2	7.7	dB
Frequency Response	f ₂ / f ₁	MTF1	1	S ₂ = 1, S ₃ = 1, S ₄ = 2 V _{IN} = 0.75 V _{p-p} , V _{dc} = 2.5 V	-0.8	-1.0	-2.0	dB
	f ₄ / f ₁	MTF2			-1.5	-2.0	-3.0	
Comb Characteristics	f ₂ / f ₃	COMBY	1		-	-46	-40	dB
Output Impedance		Z _o	1	S ₂ = 2, S ₄ = 2 V _{IN} = 15.73426 kHz, 0.75 V _{p-p} , V _{dc} = 2.5 V Z _o = $\frac{V1 - V2}{V2} \times 400$ V ₁ : S ₃ = 1, V ₂ : S ₃ = 2	250	400	700	Ω

(Note) : f₁ = f_H = 15.73426 kHz, f₂ = f_{SC} = 3.579545 MHz, f₃ = f_{SC} + 1 / 2f_H = 3.587412 MHz, f₄ = 1 / 3 (4f_{SC}) = 4.772727 MHz

CONDITION OF INPUT SIGNAL



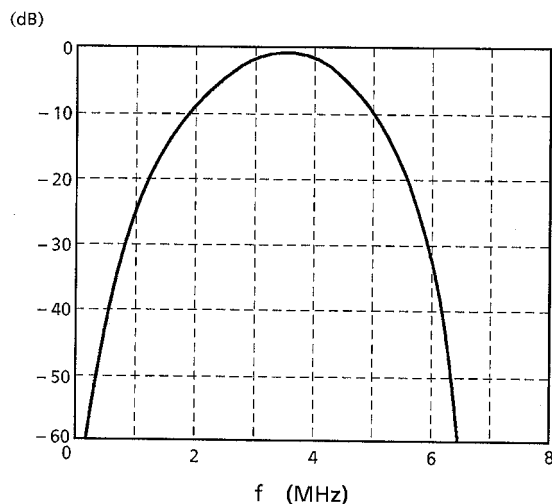
(2)C output (Ta = 25°C, V_{DD} = 5 V, input clock : 3.579545MHz 0.4 V_{p-p}, S1 = 2)

CHARACTERISTICS		SYMBOL	TEST CIRCUIT	TEST CONDITION	MIN.	TYP.	MAX.	UNIT
Gain		C _V	1	S ₂ = 1, S ₃ = 1, S ₄ = 1 V _{IN} = 0.75 V _{p-p}	5.7	6.2	6.7	dB
BPF Characteristics	TC90A44P	BWCW	1	S ₂ = 2, S ₃ = 1, S ₄ = 2 V _{IN} = 0.75 V _{p-p} , V _{dc} = 2.5 V (f _{sc} - 503496 Hz) - (f _{sc})	-2.5	-1.9	-1.5	dB
	TC90A45P / F				-1.5	-1.3	-1.0	
Comb Characteristics	TC90A44P	COMBC	1	S ₂ = 1, S ₃ = 1, S ₄ = 2 V _{IN} = 0.75 V _{p-p} , V _{dc} = 2.5 V	-	-38	-35	dB
	TC90A45P / F				-	-46	-40	
Differential Gain		DG	1	S ₂ = 1, S ₃ = 1, S ₄ = 1 Modulated lamp signal 140 IRE : 0.75 V	0	2	5	%
Differential Phase		DP			0	2	5	°
Output Impedance		Z _o	1	S ₂ = 2, S ₄ = 2 V _{IN} = 15.73426 kHz, 0.75 V _{p-p} , V _{dc} = 2.5 V Z _o = $\frac{V_1 - V_2}{V_2} \times 400$ V ₁ : S ₃ = 1, V ₂ : S ₃ = 2	250	400	700	Ω

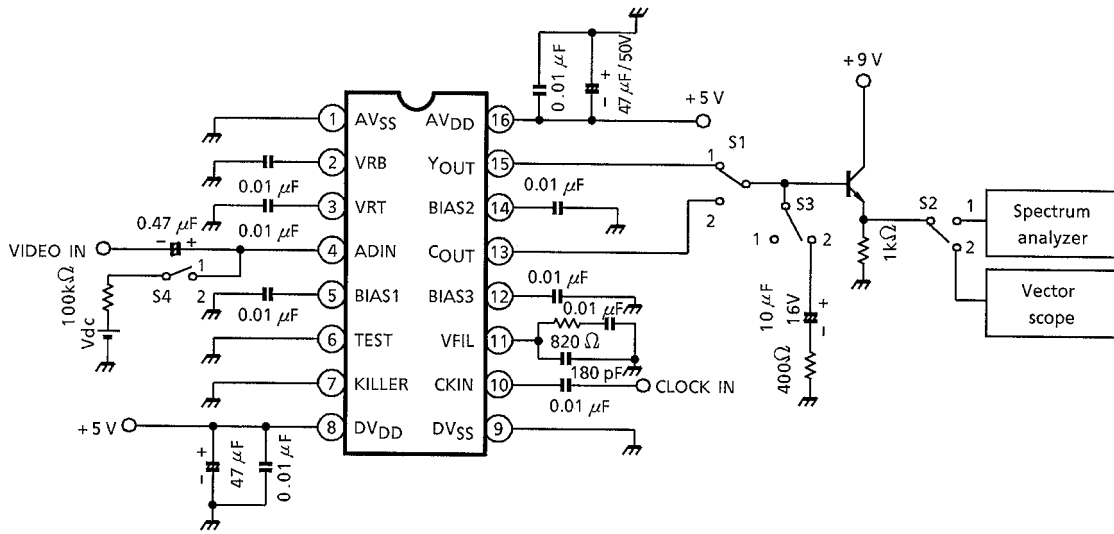
(3)PLL circuit characteristics

CHARACTERISTICS	SYMBOL	TEST CIRCUIT	TEST CONDITION	MIN.	TYP.	MAX.	UNIT
Pull-In Frequency Range	f _{ck}	1	-	3.5	3.6	3.7	MHz
Input Amplitude (f _{sc} Components)	V _{ck}	1	-	0.35	0.5	-	V _{p-p}

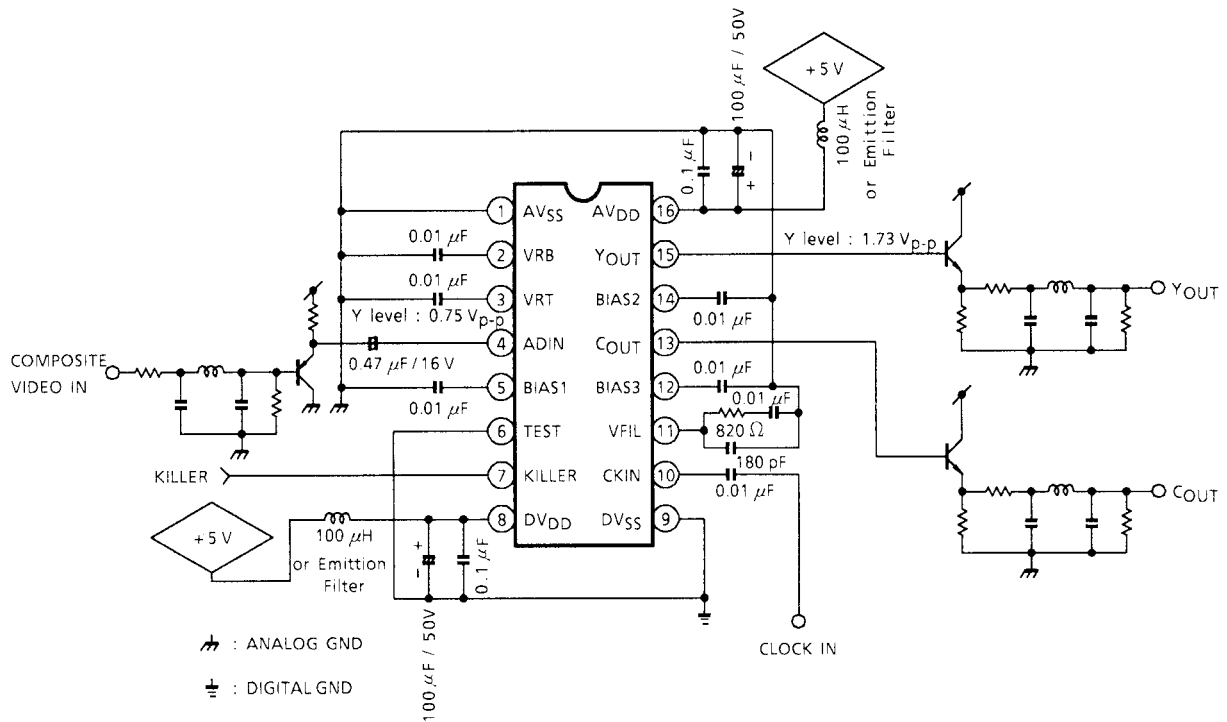
BPF CHARACTERISTICS OF COLOR SIGNAL OUTPUT (TC90A45P / F)



TEST CIRCUIT 1



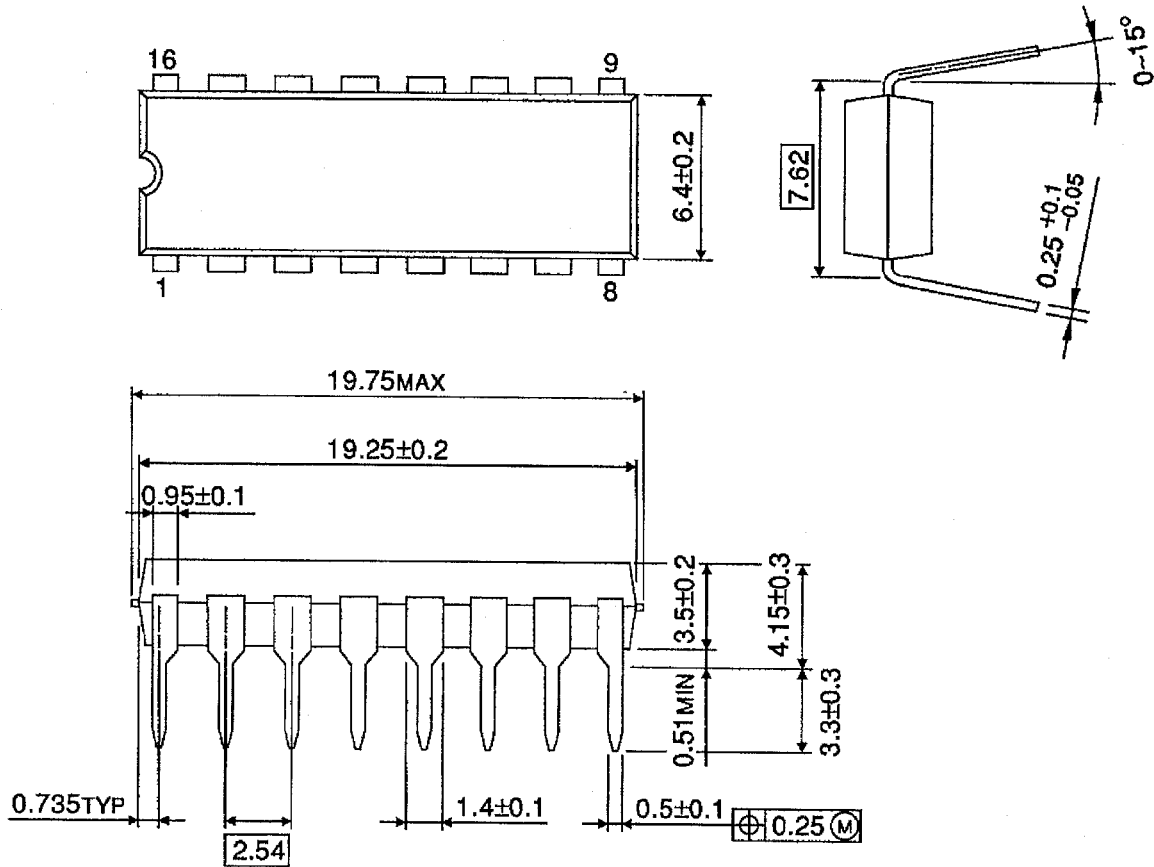
APPLICATION CIRCUIT



PACKAGE DIMENSIONS

DIP16-P-300-2.54A

Unit : mm

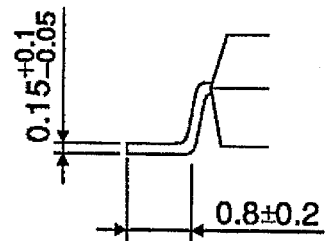
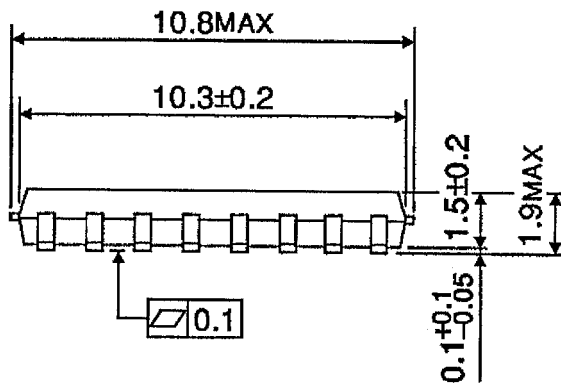
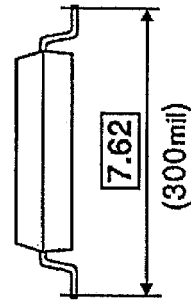
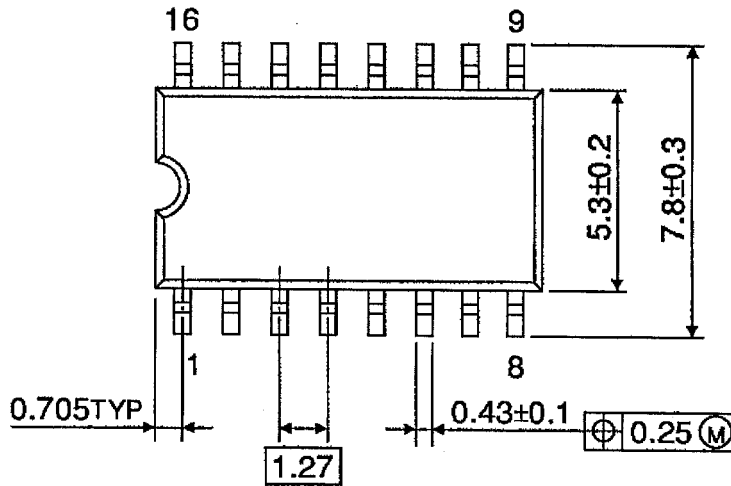


Weight : 1.00 g (Typ.)

PACKAGE DIMENSIONS

SOP16-P-300-1.27

Unit : mm



Weight : 0.18 g (Typ.)