

TOSHIBA CCD LINEAR IMAGE SENSOR CCD(Charge Coupled Device)

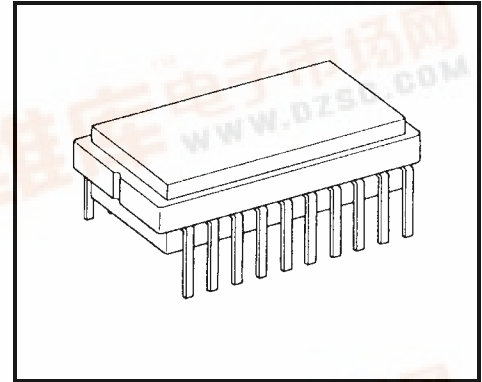
TCD2000P

The TCD2000P is a high sensitive and low dark current 480-elements color linear image sensor which includes CCD drive circuit, clamp circuit and sample & hold circuit.

The CCD drive circuit consists of the pulse generator. therefore it is possible to easy drive by applying simple pulses. The sensor is designed for scanner.

FEATURES

- Number of Image Sensing Elements : 480 elements (160×3 color sequential)
- Image Sensing Element Size : 11μm×33μm on 33μm centers
- Photo Sensing Region : High sensitive pn photodiode
- Clock : 3 Input pulses 5V
- Internal Circuit : Sample & Hold circuit, Clamp circuit
- Package : 20 pin
- Color Filter : Red, Green, Blue



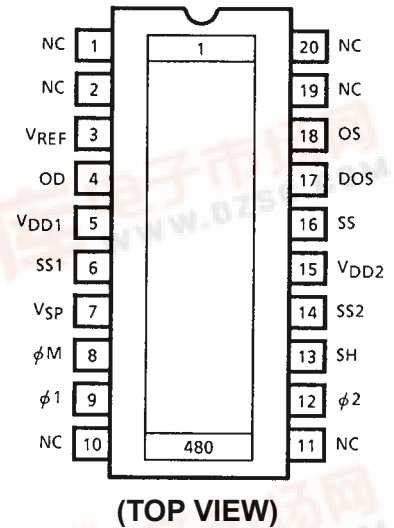
Weight: 1.0g (Typ.)

MAXIMUM RATINGS

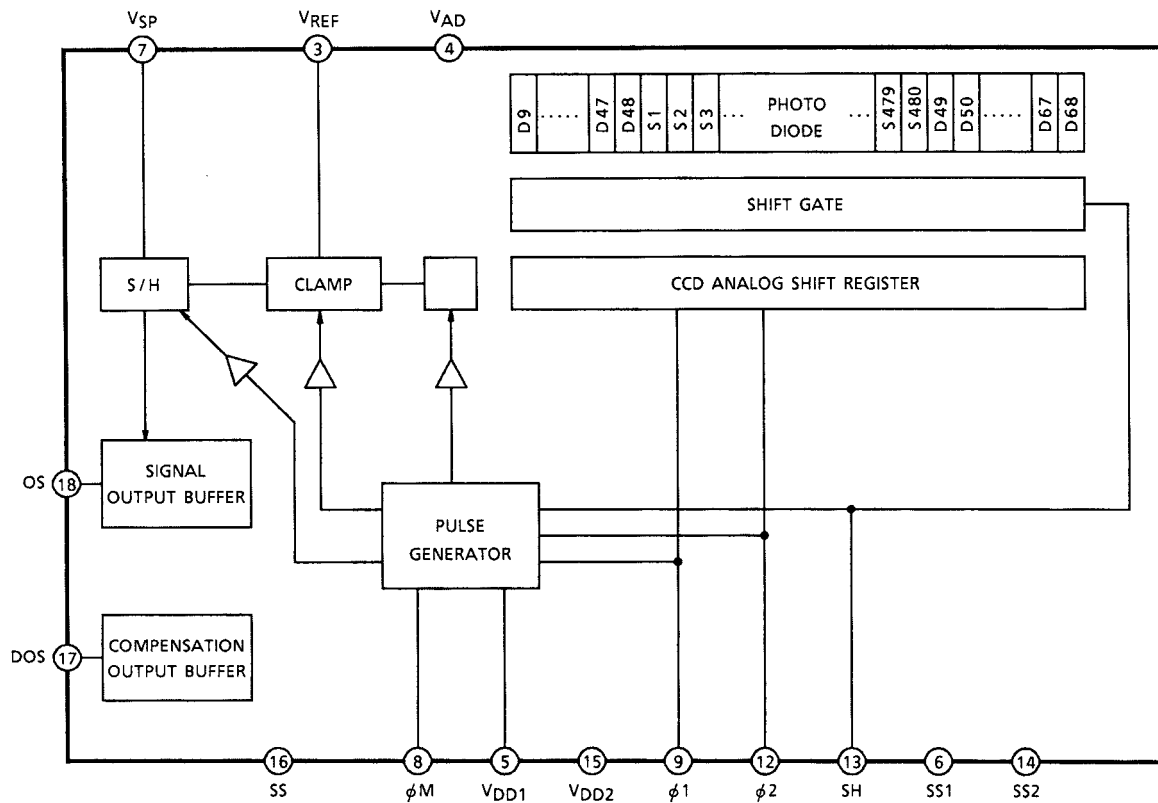
CHARACTERISTIC	SYMBOL	RATING	UNIT
Master Clock Voltage	$V_{\phi M}$	-0.3~8	V
Clock Pulse Voltage	V_{ϕ}		
Shift Pulse Voltage	V_{SH}		
Reference Voltage	V_{REF}	-0.3~15	V
Power Supply Voltage (Analog)	V_{AD}		
Power Supply Voltage (Digital)	V_{DD1}		
	V_{DD2}		
Sample & Hold Switch Voltage	V_{SP}	-0.3~15	V
Operating Temperature	T_{opr}	0~60	°C
Storage Temperature	T_{stg}	-25~85	°C

Note 1: All voltage are with respect to SS terminals (Ground).

PIN CONNECTION



CIRCUIT DIAGRAM



PIN NAMES

ϕ_M	Master Clock	V_{AD}	Power (Analog)
ϕ_1	Clock (Phase 1)	V_{DD1}	Power (Digital, 12V)
ϕ_2	Clock (Phase 2)	V_{DD2}	Power (Digital, 12V)
SH	Shift Gate	SS	Ground (Analog)
OS	Signal Output	SS1	Ground (Digital, 12V)
DOS	Compensation Output	SS2	Ground (Digital, 12V)
V_{REF}	Reference Voltage Input	V_{SP}	Sample and Hold Switch
NC	Non Connection		

OPTICAL / ELECTRICAL CHARACTERISTICS

(Ta = 25°C V_{REF} = V_{AD} = V_{DD1} = V_{DD2} = 12V, V_{φM} = V_φ = V_{SH} = 5V (PULSE), f_φ = 1.0MHz, t_{INT} (INTEGRATION TIME) = 10ms, LIGHT SOURCE = A LIGHT SOURCE+CM500S FILTER, LOAD RESISTANCE = 100Ω)

CHARACTERISTIC	SYMBOL	MIN	TYP.	MAX	UNIT	NOTE
Sensitivity	RB	3.7	5.3	6.9	V / lx·s	
	RG	8.4	12.0	15.6		
	RR	4.6	6.6	8.7		
Photo Response Non Uniformity	PRNU (1)	—	10	20	%	(Note 2)
	PRNU (3)	—	3	12	mV	(Note 3)
Saturation Output Voltage	V _{SAT}	1.2	2.0	—	V	(Note 4)
Saturation Exposure	SE	—	0.17	—	lx·s	(Note 5)
Dark Signal Voltage	V _{DRK}	—	12	25	mV	(Note 6)
Dark Signal Non Uniformity	DSNU	—	5	10	mV	(Note 6)
Analog Current Dissipation	I _{AD}	—	12	18	mA	
Digital Current Dissipation	I _{DD1}	—	—	1	mA	
	I _{DD2}	—	13.5	20	mA	
Input Current of V _{REF}	I _{REF}	—	—	1	mA	
Total Transfer Efficiency	TTE	92	—	—	%	
Output Impedance	Z _O	—	0.5	1.0	kΩ	
DC Signal Output Voltage	V _{OS}	4.5	6.0	7.5	V	(Note 7)
DC Compensation Output Voltage	V _{DOS}	4.5	6.0	7.5	V	(Note 7)
DC Differential Error Voltage	V _{OS} -V _{DOS}	0	—	100	mV	

Note 2: PRNU (1) is measured at 50% of SE (Typ.)

$$\text{Definition of PRNU : PRNU} = \frac{\Delta\bar{\chi}}{\bar{\chi}} \cdot 100 (\%)$$

Where $\bar{\chi}$ is average of total signal outputs and $\Delta\bar{\chi}$ is the maximum deviation from $\bar{\chi}$ under uniform illumination.

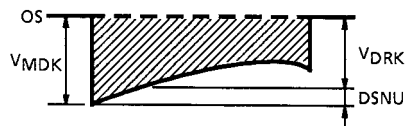
Note 3: PRNU (3) is defined as maximum voltage with next pixel where measured 5% of SE (Typ.)

Note 4: V_{SAT} is defined as minimum Saturation Output Voltage of all effective pixels.

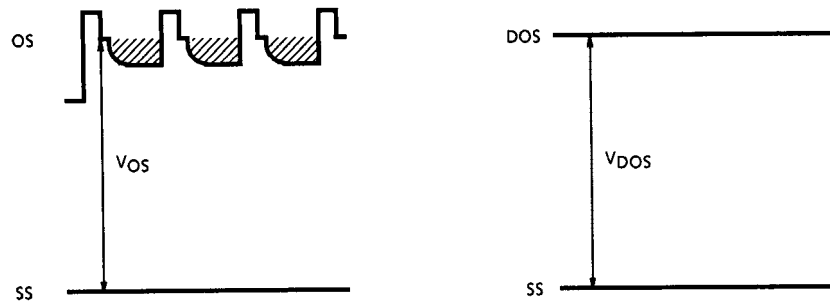
$$\text{Note 5: Definition of SE : SE} = \frac{V_{SAT}}{R} \text{ (lx·s)}$$

Note 6: V_{DRK} is defined as average dark signal voltage of all effective pixels.

DSNU is defined as different voltage between V_{DRK} and V_{MDK} when V_{MDK} is maximum dark signal voltage.



Note 7: DC signal output voltage and DC compensation output voltage are defined as follows:.



OPERATING CONDITION

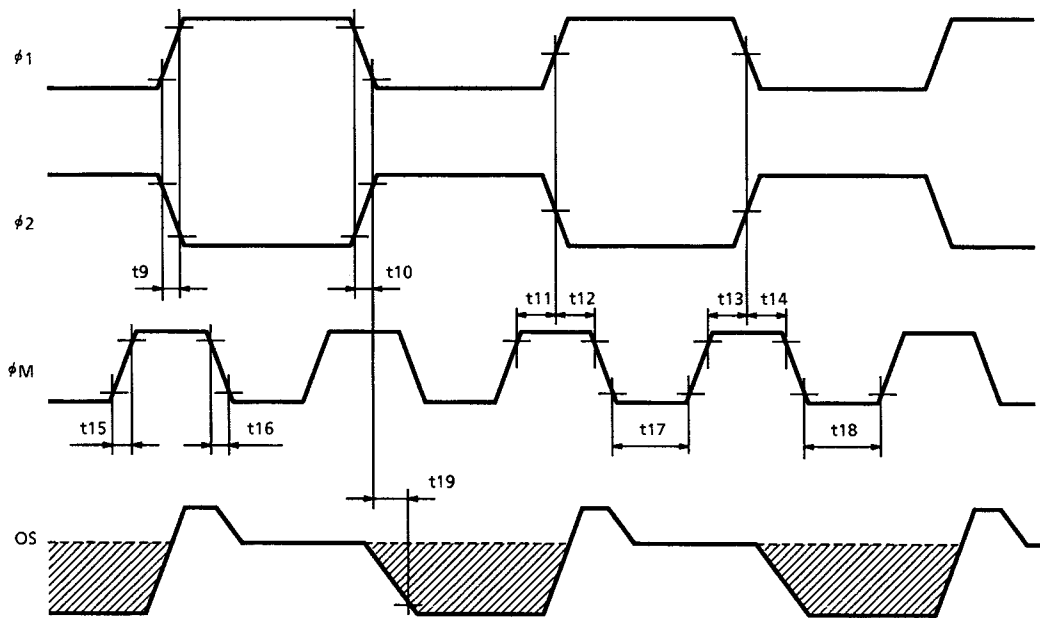
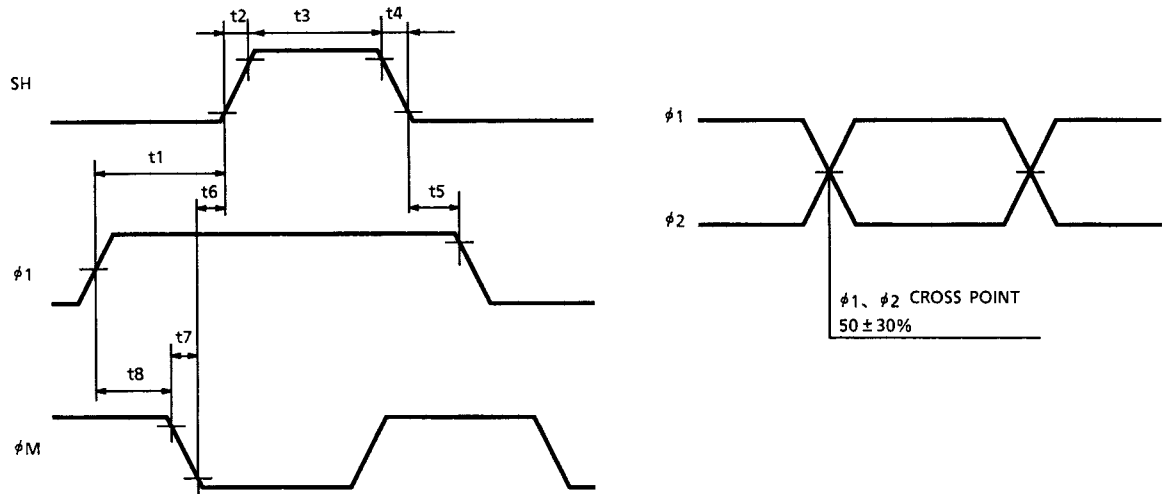
CHARACTERISTIC		SYMBOL	MIN	TYP.	MAX	UNIT
Master Clock Pulse Voltage	"H" Level	$V_{\phi M}$	4.5	5.0	5.5	V
	"L" Level		0	—	0.5	
Clock Pulse Voltage	"H" Level	$V_{\phi 1}$	4.5	5.0	5.5	V
	"L" Level	$V_{\phi 2}$	0	—	0.5	
Shift Pulse Voltage	"H" Level	V_{SH}	$V_{\phi}-0.5$	V_{ϕ}	V_{ϕ}	V
	"L" Level		0	—	0.5	
Sample and Hold Switch Voltage*	"H" Level	V_{SP}	4.5	5.0	13.0	V
	"L" Level		0	—	0.5	
Reference Voltage		V_{REF}	11.4	12.0	13.0	V
Power Supply Voltage (Analog)		V_{AD}	11.4	12.0	13.0	V
Power Supply Voltage (Digital)		V_{DD1}	11.4	12.0	13.0	V
		V_{DD2}	11.4	12.0	13.0	

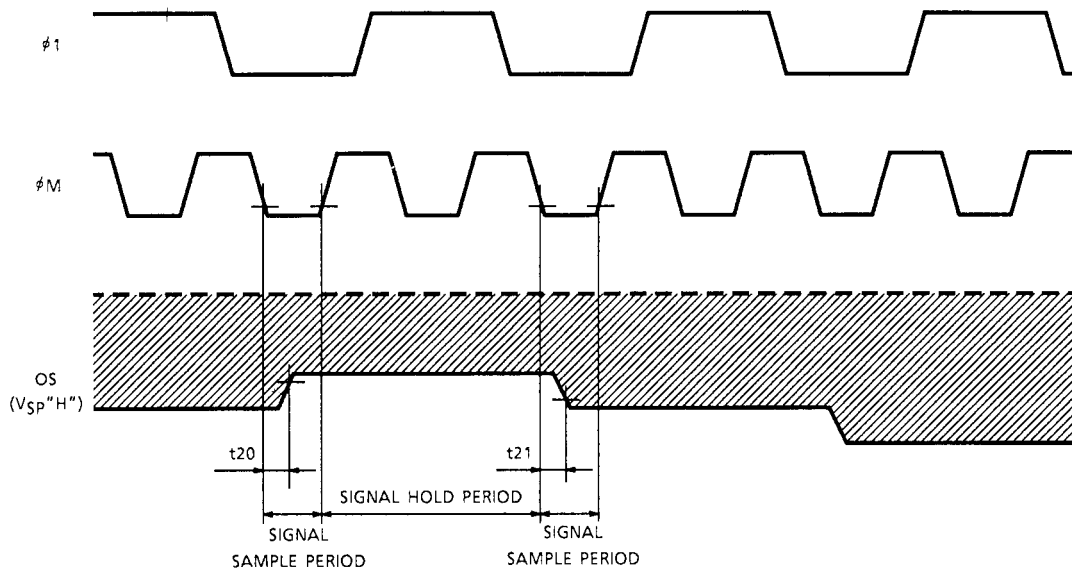
(*) Supply "H" Level to V_{SP} terminal when sample-and-hold circuit is used, when sample-and-hold circuit is not used supply "L" Level to V_{SP} terminal.

CLOCK CHARACTERISTICS (Ta = 25°C)

CHARACTERISTIC	SYMBOL	MIN	TYP.	MAX	UNIT
Master Clock Pulse Frequency	$f_{\phi M}$	—	2.0	6.0	MHz
Clock Pulse Frequency	f_{ϕ}	—	1.0	3.0	MHz
Master Clock Pulse Capacitance	$C_{\phi M}$	—	10	20	pF
Clock Capacitance	C_{ϕ}	—	100	200	pF
Shift Gate Capacitance	C_{SH}	—	50	100	pF

TIMING REQUIREMENTS



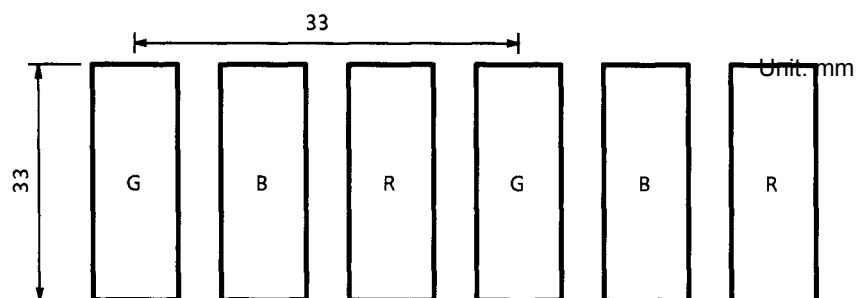


CHARACTERISTIC	SYMBOL	MIN	TYP. (Note 2)	MAX	UNIT
Pulse Timing of SH and ϕ_1 , ϕ_2	t1	60	300	—	ns
	t5	0	300	—	ns
SH Pulse Rise Time, Fall Time	t2, t4	0	50	—	ns
SH Pulse Width	t3	300	1000	—	ns
Pulse Timing of SH and ϕ_M	t6	20	50	—	ns
ϕ_1 , ϕ_2 Pulse Rise Time, Fall Time	t9, t10	0	20	—	ns
Pulse Timing of ϕ_1 , ϕ_2 and ϕ_M	t11, t13	20	100	—	ns
	t8, t12, t14	40	100	—	ns
ϕ_M Pulse Rise Time, Fall Time	t7, t15, t16	0	20	—	ns
ϕ_M Pulse Width	t17, t18	80	250	—	ns
Video Data Delay Time (Note 3)	t19	—	45	—	ns
S / H Video Data Delay Time	t20, t21	—	70	—	ns

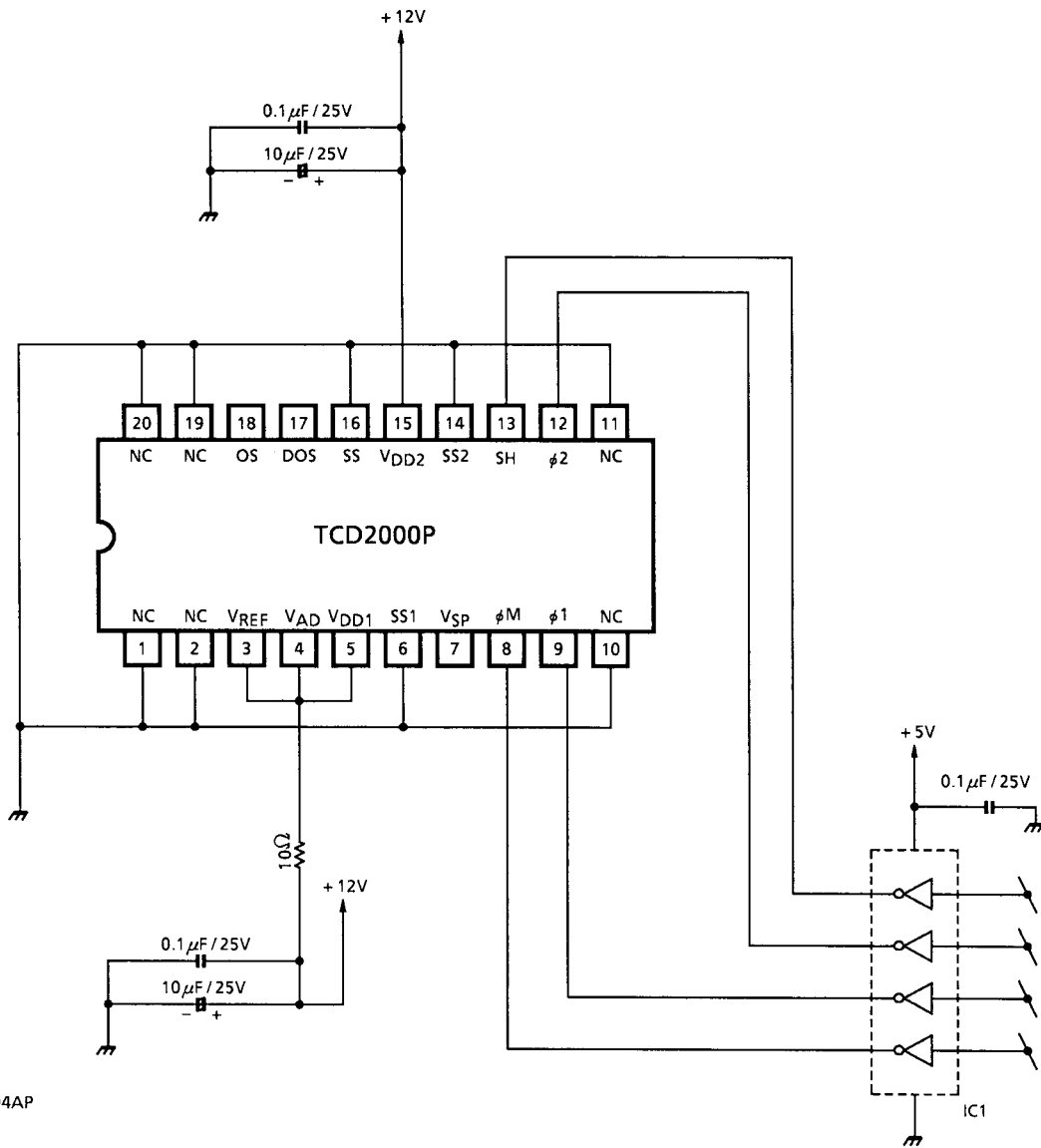
Note 2: TYP. is the case of $f_{\phi}=1\text{MHz}$.

Note 3: Load Resistance is 100k Ω .

ELEMENT SHAPE



TYPICAL DRIVE CIRCUIT



CAUTION**1. Window Glass**

The dust and stain on the glass window of the package degrade optical performance of CCD sensor.

Keep the glass window clean by saturating a cotton swab in alcohol and lightly wiping the surface, and allow the glass to dry, by blowing with filtered dry N₂. Care should be taken to avoid mechanical or thermal shock because the glass window is easily to damage.

2. Electrostatic Breakdown

Store in shorting clip or in conductive foam to avoid electrostatic breakdown.

CCD Image Sensor is protected against static electricity, but interior puncture mode device due to static electricity is sometimes detected. In handing the device, it is necessary to execute the following static electricity preventive measures, in order to prevent the trouble rate increase of the manufacturing system due to static electricity.

- a. Prevent the generation of static electricity due to friction by making the work with bare hands or by putting on cotton gloves and non-charging working clothes.
- b. Discharge the static electricity by providing earth plate or earth wire on the floor, door or stand of the work room.
- c. Ground the tools such as soldering iron, radio cutting pliers or pincer.

It is not necessarily required to execute all precaution items for static electricity.

It is all right to mitigate the precautions by confirming that the trouble rate within the prescribed range.

3. Incident Light

CCD sensor is sensitive to infrared light. Note that infrared light component degrades resolution and PRNU of CCD sensor.

4. Lead Frame Forming

Since this package is not strong against mechanical stress, you should not reform the lead frame.

We recommend to use a IC-inserter when you assemble to PCB.

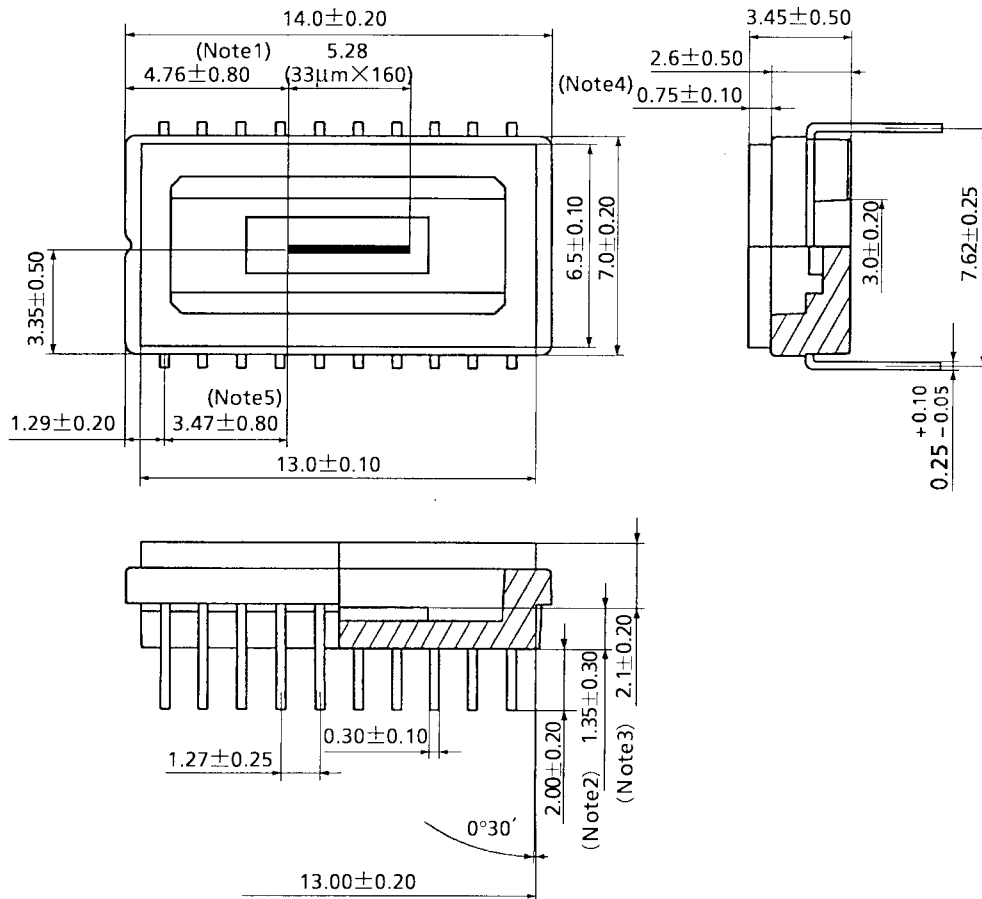
5. Soldering

Soldering by the solder flow method cannot be guaranteed because this method may have deleterious effects on prevention of window glass soiling and heat resistance.

Using a soldering iron, complete soldering within ten seconds for lead temperatures of up to 260°C, or within three seconds for lead temperatures of up to 350°C.

PACKAGE DIMENSIONS

Unit : mm



Note1: No. 1 SENSOR ELEMENT (S1) TO EDGE OF PACKAGE.

Note2: TOP OF CHIP TO BOTTOM OF PACKAGE.

Note3: TOP OF CHIP TO OF PACKAGE.

Note4: GLASS THICKNESS ($n=1.5$)

Note5: No. 1 SENSOR ELEMENT (S1) TO CENTER OF No. 1 PIN.

Weight: 1.0g (Typ.)

RESTRICTIONS ON PRODUCT USE

000707EBA

- TOSHIBA is continually working to improve the quality and reliability of its products. Nevertheless, semiconductor devices in general can malfunction or fail due to their inherent electrical sensitivity and vulnerability to physical stress. It is the responsibility of the buyer, when utilizing TOSHIBA products, to comply with the standards of safety in making a safe design for the entire system, and to avoid situations in which a malfunction or failure of such TOSHIBA products could cause loss of human life, bodily injury or damage to property.
In developing your designs, please ensure that TOSHIBA products are used within specified operating ranges as set forth in the most recent TOSHIBA products specifications. Also, please keep in mind the precautions and conditions set forth in the "Handling Guide for Semiconductor Devices," or "TOSHIBA Semiconductor Reliability Handbook" etc..
- The TOSHIBA products listed in this document are intended for usage in general electronics applications (computer, personal equipment, office equipment, measuring equipment, industrial robotics, domestic appliances, etc.). These TOSHIBA products are neither intended nor warranted for usage in equipment that requires extraordinarily high quality and/or reliability or a malfunction or failure of which may cause loss of human life or bodily injury ("Unintended Usage"). Unintended Usage include atomic energy control instruments, airplane or spaceship instruments, transportation instruments, traffic signal instruments, combustion control instruments, medical instruments, all types of safety devices, etc.. Unintended Usage of TOSHIBA products listed in this document shall be made at the customer's own risk.
- The products described in this document are subject to the foreign exchange and foreign trade laws.
- The information contained herein is presented only as a guide for the applications of our products. No responsibility is assumed by TOSHIBA CORPORATION for any infringements of intellectual property or other rights of the third parties which may result from its use. No license is granted by implication or otherwise under any intellectual property or other rights of TOSHIBA CORPORATION or others.
- The information contained herein is subject to change without notice.