

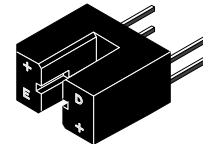
# Transmissive Optical Sensor with Phototransistor Output

## Description

This device has a compact construction where the emitting-light sources and the detectors are located face-to-face on the same optical axis. The operating wavelength is 950 nm. The detector consists of a phototransistor.

## Applications

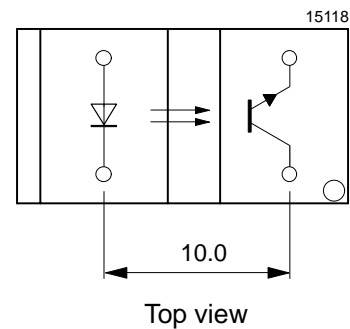
- Contactless optoelectronic switch, control and counter



95 10541

## Features

- Compact construction
- No setting efforts
- Polycarbonate case protected against ambient light
- **Current Transfer Ratio (CTR)** of typical 10%



## Order Instruction

Ordering Code	Resolution (mm) / Aperture (mm)	Remarks
TCST1210	0.4 / 0.5	

### Absolute Maximum Ratings

#### Input (Emitter)

Parameter	Test Conditions	Symbol	Value	Unit
Reverse voltage		$V_R$	5	V
Forward current		$I_F$	50	mA
Forward surge current	$t_p \leq 10 \mu\text{s}$	$I_{FSM}$	1	A
Power dissipation	$T_{amb} \leq 25^\circ\text{C}$	$P_V$	100	mW
Junction temperature		$T_j$	100	$^\circ\text{C}$

#### Output (Detector)

Parameter	Test Conditions	Symbol	Value	Unit
Collector emitter voltage		$V_{CEO}$	30	V
Emitter collector voltage		$V_{ECO}$	5	V
Collector current		$I_C$	30	mA
Collector peak current	$t_p/T = 0.5, t_p \leq 10 \text{ ms}$	$I_{CM}$	100	mA
Power dissipation	$T_{amb} \leq 25^\circ\text{C}$	$P_V$	100	mW
Junction temperature		$T_j$	100	$^\circ\text{C}$

#### Coupler

Parameter	Test Conditions	Symbol	Value	Unit
Total power dissipation	$T_{amb} \leq 25^\circ\text{C}$	$P_{tot}$	200	mW
Operating temperature range		$T_{amb}$	-20 to +85	$^\circ\text{C}$
Storage temperature range		$T_{stg}$	-30 to +100	$^\circ\text{C}$
Soldering temperature	2 mm from case, $t \leq 5 \text{ s}$	$T_{sd}$	260	$^\circ\text{C}$

### Electrical Characteristics ( $T_{amb} = 25^\circ\text{C}$ )

#### Input (Emitter)

Parameter	Test Conditions	Symbol	Min.	Typ.	Max.	Unit
Forward voltage	$I_F = 20 \text{ mA}$	$V_F$		1.25	1.6	V
Reverse voltage	$I_R = 10 \mu\text{A}$	$V_R$	5			V
Junction capacitance	$V_R = 0, f = 1 \text{ MHz}$	$C_j$		50		pF

#### Output (Detector)

Parameter	Test Conditions	Symbol	Min.	Typ.	Max.	Unit
Collector emitter voltage	$I_C = 1 \text{ mA}$	$V_{CEO}$	30			V
Emitter collector voltage	$I_E = 10 \mu\text{A}$	$V_{ECO}$	5			V
Collector dark current	$V_{CE} = 10 \text{ V}, I_F = 0, E = 0$	$I_{CEO}$			100	nA

#### Coupler

Parameter	Test Conditions	Symbol	Min.	Typ.	Max.	Unit
Current transfer ratio	$V_{CE} = 5 \text{ V}, I_F = 20 \text{ mA}$	CTR	2.5	10		%
Collector current	$V_{CE} = 5 \text{ V}, I_F = 20 \text{ mA}$	$I_C$	0.5	2		mA

## Switching Characteristics

Parameter	Test Conditions	Symbol	Typ.	Unit
Rise time	$V_S = 5\text{ V}$ , $I_C = 100\ \mu\text{A}$ , $R_L = 1\ \text{k}\Omega$ (see figure 1)	$t_r$	20.0	$\mu\text{s}$
Fall time		$t_f$	20.0	$\mu\text{s}$

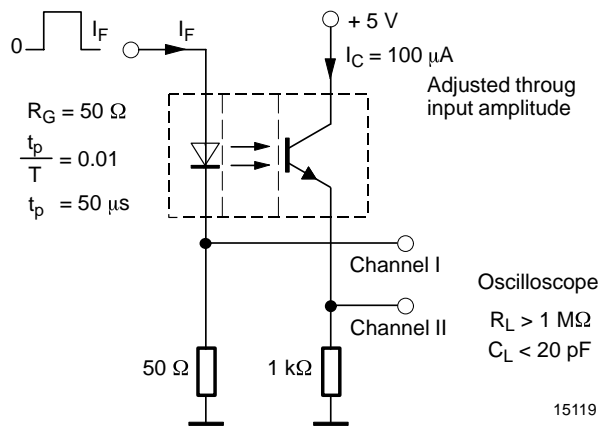


Figure 1. Test circuit

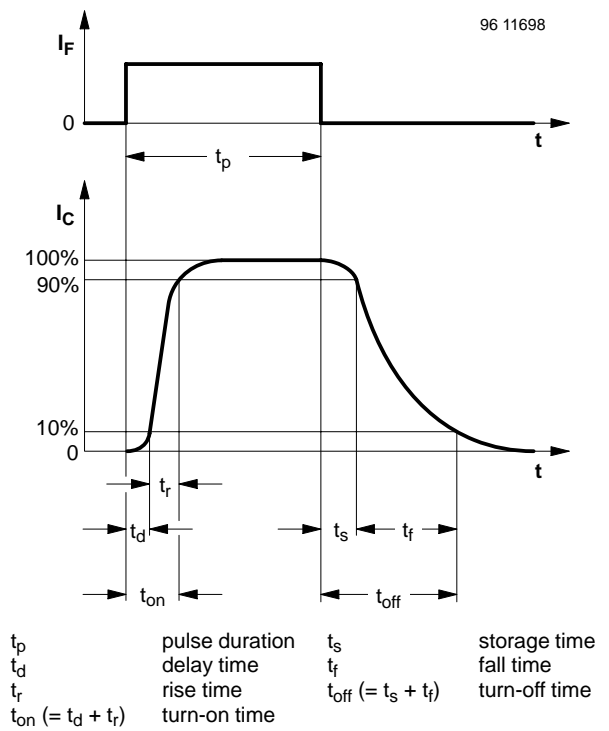


Figure 2. Switching times

Typical Characteristics ( $T_{amb} = 25^{\circ}C$ , unless otherwise specified)

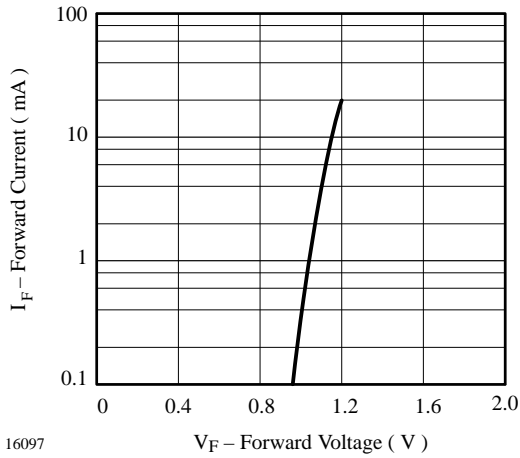


Figure 3. Forward Current vs. Forward Voltage

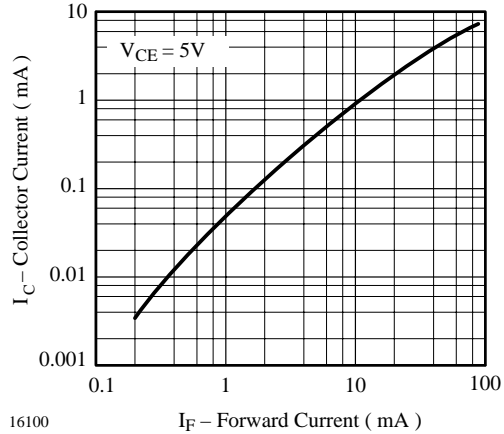


Figure 6. Collector Current vs. Forward Current

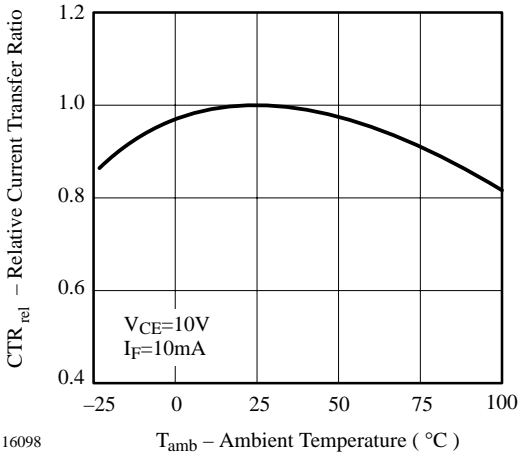


Figure 4. Relative Current Transfer Ratio vs. Ambient Temperature

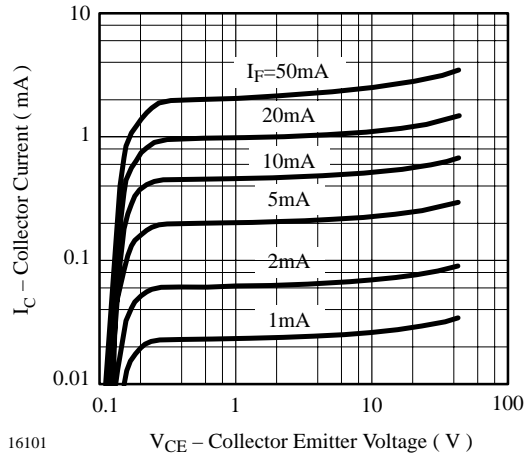


Figure 7. Collector Current vs. Collector Emitter Voltage

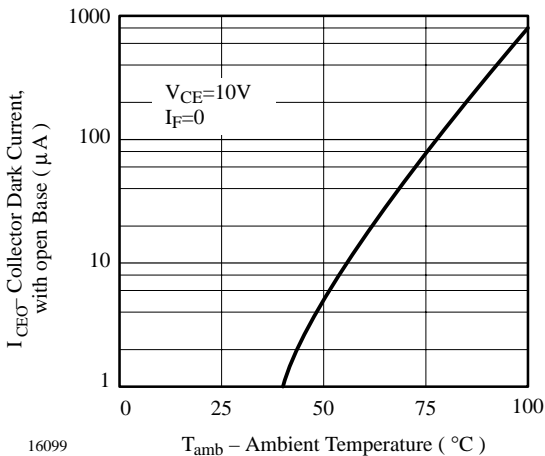


Figure 5. Collector Dark Current vs. Ambient Temperature

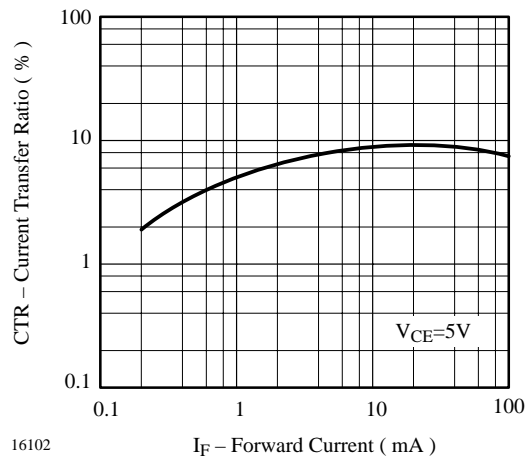
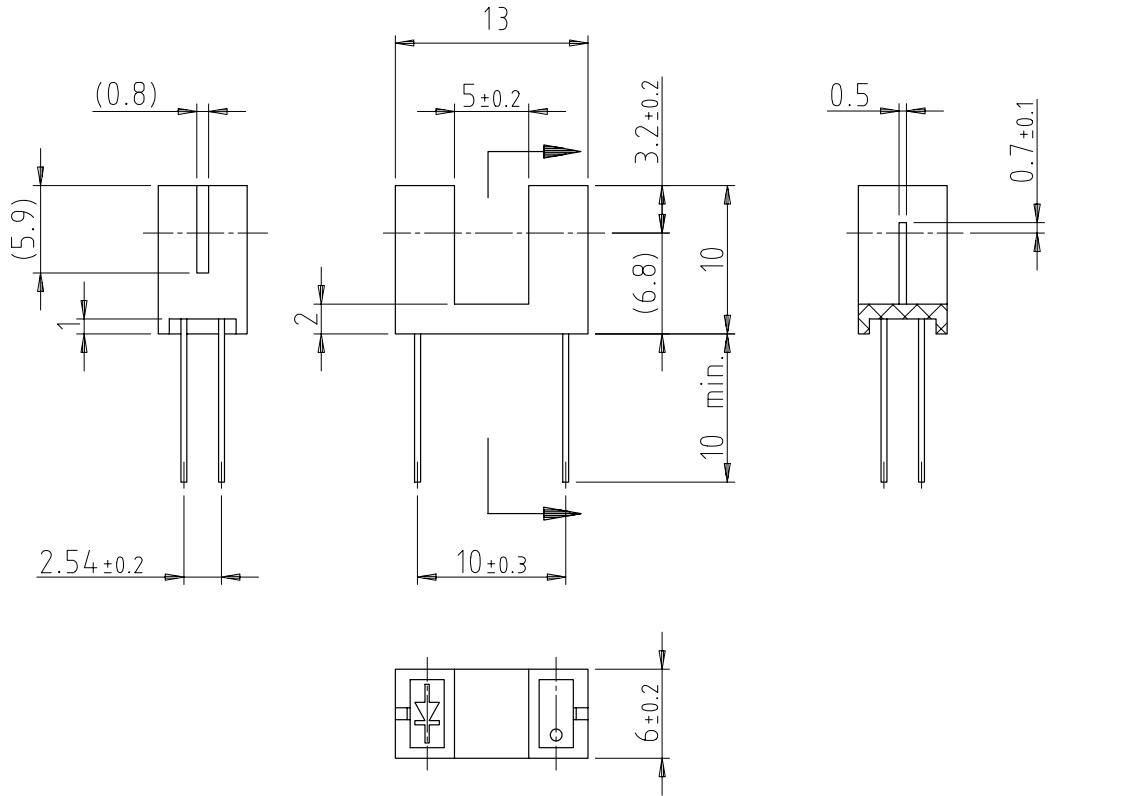
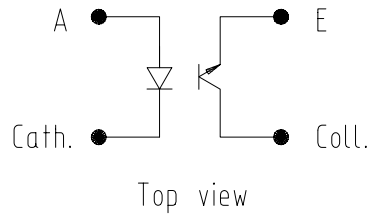


Figure 8. Current Transfer Ratio vs. Forward Current

**Dimensions of TCST1210 in mm**



general tolerance ±0.3



technical drawings  
 according to DIN  
 specifications

Drawing-No.: 6.550-5211.01-4

Issue: 1; 18.06.99

15121

### Ozone Depleting Substances Policy Statement

It is the policy of **Vishay Semiconductor GmbH** to

1. Meet all present and future national and international statutory requirements.
2. Regularly and continuously improve the performance of our products, processes, distribution and operating systems with respect to their impact on the health and safety of our employees and the public, as well as their impact on the environment.

It is particular concern to control or eliminate releases of those substances into the atmosphere which are known as ozone depleting substances (ODSs).

The Montreal Protocol (1987) and its London Amendments (1990) intend to severely restrict the use of ODSs and forbid their use within the next ten years. Various national and international initiatives are pressing for an earlier ban on these substances.

**Vishay Semiconductor GmbH** has been able to use its policy of continuous improvements to eliminate the use of ODSs listed in the following documents.

1. Annex A, B and list of transitional substances of the Montreal Protocol and the London Amendments respectively
2. Class I and II ozone depleting substances in the Clean Air Act Amendments of 1990 by the Environmental Protection Agency (EPA) in the USA
3. Council Decision 88/540/EEC and 91/690/EEC Annex A, B and C (transitional substances) respectively.

**Vishay Semiconductor GmbH** can certify that our semiconductors are not manufactured with ozone depleting substances and do not contain such substances.

**We reserve the right to make changes to improve technical design and may do so without further notice.**

Parameters can vary in different applications. All operating parameters must be validated for each customer application by the customer. Should the buyer use Vishay Telefunken products for any unintended or unauthorized application, the buyer shall indemnify Vishay Telefunken against all claims, costs, damages, and expenses, arising out of, directly or indirectly, any claim of personal damage, injury or death associated with such unintended or unauthorized use.

Vishay Semiconductor GmbH, P.O.B. 3535, D-74025 Heilbronn, Germany  
Telephone: 49 (0)7131 67 2831, Fax number: 49 (0)7131 67 2423

Copyright © Each Manufacturing Company.

All Datasheets cannot be modified without permission.

This datasheet has been download from :

[www.AllDataSheet.com](http://www.AllDataSheet.com)

100% Free DataSheet Search Site.

Free Download.

No Register.

Fast Search System.

[www.AllDataSheet.com](http://www.AllDataSheet.com)