

MOTOR REGULATOR WITH AUTOMATIC TAPE-END INDICATOR

The TDA1006A is for use in car radio tape-decks

The circuit incorporates the following functions:

- capstan motor speed control;
- an electronic motor stop in conjunction with hysteresis slip-coupling or commutator pulses;
- an automatic switch from playback to radio at tape-end;
- playback indication with lamp;
- tape-end indication with intermittent light.

QUICK REFERENCE DATA

Supply voltage range	V_p	6 to 22 V
Ambient temperature	T_{amb}	typ. 25 °C
Supply voltage	V_p	typ. 14 V
Motor regulator		
Current consumption ($R_{3-4} = 7,5 \text{ k}\Omega$)		
radio	I_4	typ. 9 mA
playback ($I_1 = 0$)	I_4	typ. 12 mA
playback	I_4	typ. 52 mA
tape-end	I_4	typ. 32 mA
Operating motor current	I_3	typ. 200 mA
Supply voltage rejection	$\Delta V_{3-2}/\Delta V_{4-2}$	typ. 1 mV/V
Automatic stop circuit		
Input current	I_{14}	> 25 μA
Input voltage at commutator	V_{11-2}	-6 to +6 V



PACKAGE OUTLINE

16-lead DIL; plastic power (SOT-38BE-2).

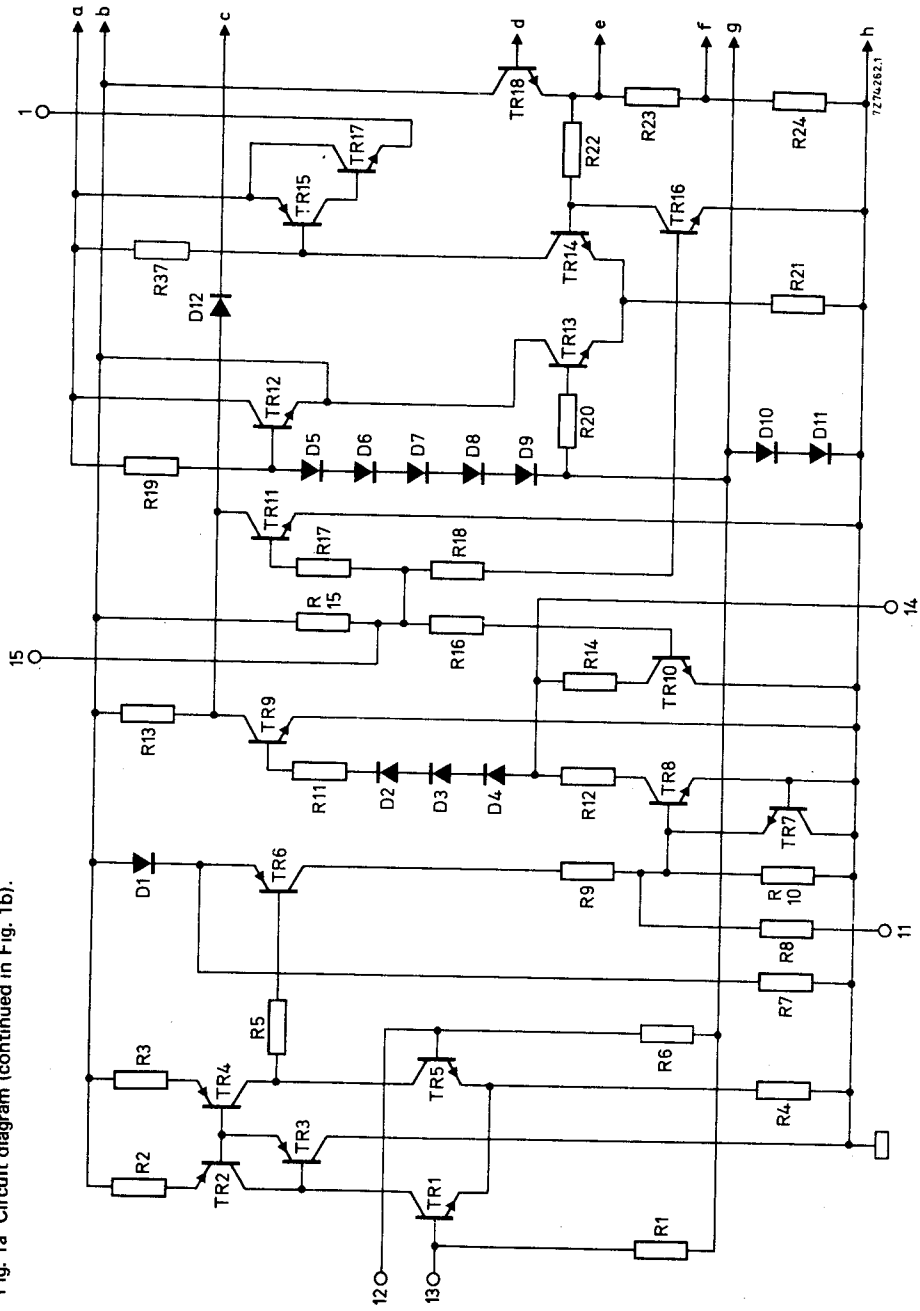


Fig. 1a Circuit diagram (continued in Fig. 1b).



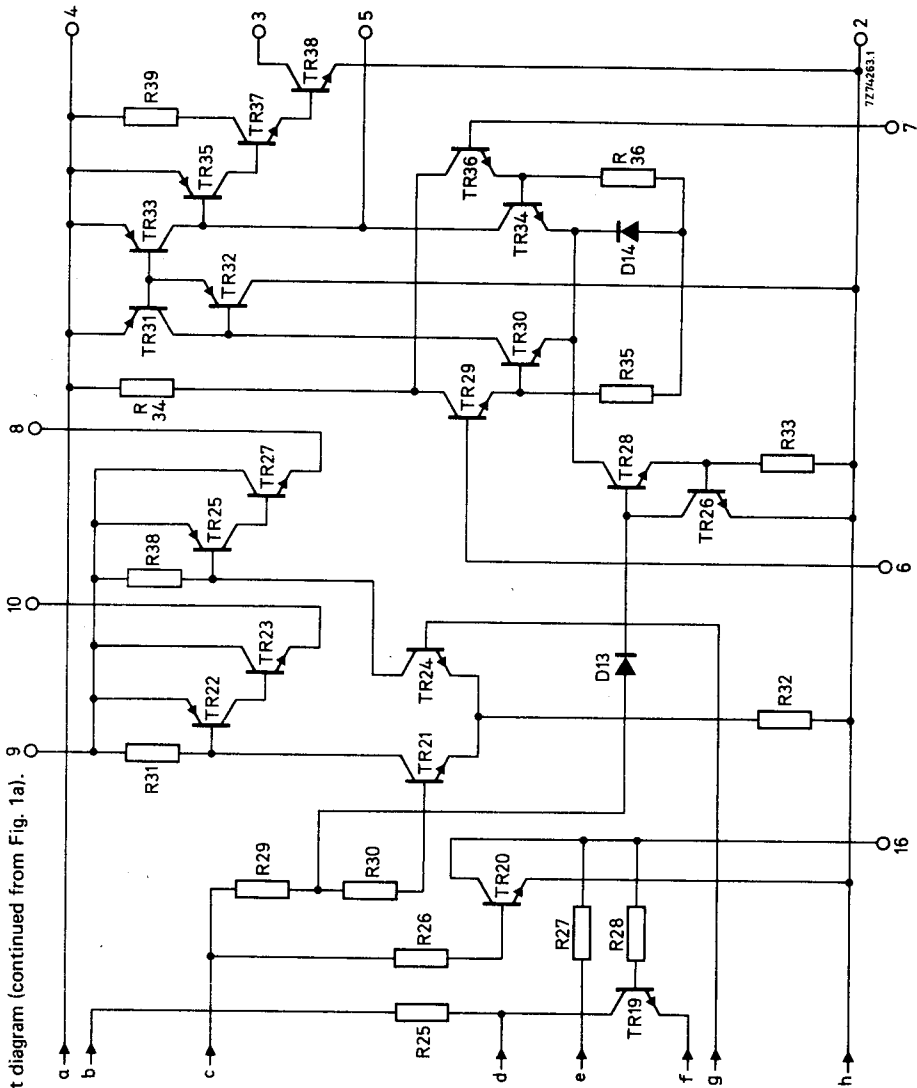


Fig. 1b Circuit diagram (continued from Fig. 1a).



RATINGS

Limiting values in accordance with the Absolute Maximum System (IEC 134)

Supply voltage

pin 4	V_{4-2}	max.	24 V
pin 9	V_{9-2}	max.	24 V
	V_{4-2}	\geq	V_{9-2}

Output current

pin 1 (d.c. value)	$-I_1$	max.	40 mA
(peak value)	$-I_{1M}$	max.	100 mA
pin 3 (d.c. value)	I_3	max.	250 mA
(non-repetitive peak value)	I_{3SM}	max.	600 mA
pin 8 (d.c. value)	$-I_8$	max.	45 mA
(peak value)	$-I_{8M}$	max.	80 mA
pin 10 (d.c. value)	$-I_{10}$	max.	20 mA
(peak value)	$-I_{10M}$	max.	20 mA

Storage temperature

 T_{stg} -65 to +150 °C

Operating ambient temperature

see power derating curve Fig. 2

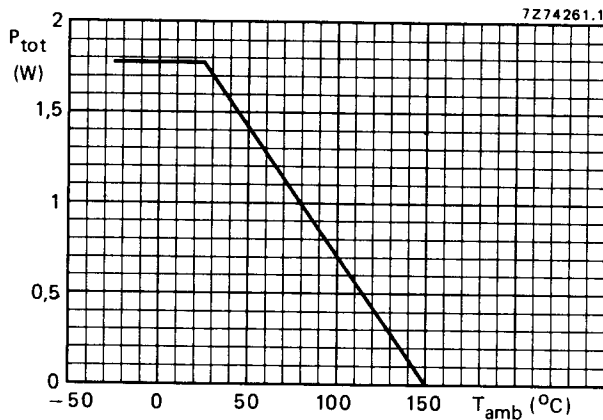
 T_{amb} -25 to +150 °C

Fig. 2 Power derating curve; derating factor: 14,3 mW/°C.



CHARACTERISTICS

$V_P = 14$ V; $T_{amb} = 25$ °C unless otherwise specified (see test circuit Fig. 3).

Supply voltage range (pins 4 and 9)	V_P V_{4-2}	\geq	6 to 22 V V_{9-2}
Motor regulator			
Current consumption ($R_{3-4} = 7,5$ k Ω) radio	I_4	typ.	9 mA
playback ($I_1 = 0$)	I_4	{	typ. 12 mA 9,5 to 17 mA
playback	I_4	typ.	52 mA
tape-end	I_4	typ.	32 mA
Input offset voltage at $I_3 = 3$ mA	$ V_{7-6} $	{	typ. 2 mV < 8 mV
Input voltage range (common mode)	$V_{6-2}; V_{7-2}$		2,4 to $V_P - 0,2$ V
Input bias current	$I_6; I_7$	{	typ. 80 nA < 700 nA
Input sensitivity (for $\Delta I_3 = 100$ mA)	ΔV_{7-6}	<	13 mV
Operating voltage of TR38 at $I_{3SM} = 600$ mA	V_{3-2}	typ. <	900 mV 1800 mV
Supply voltage rejection	$\Delta V_{3-2} / \Delta V_{4-2}$	typ.	1 mV/V
Operating motor current	I_3	{	typ. 200 mA < 250 mA
Automatic motor 'stop' circuit			
Input current	I_{14}	>	25 μ A
Voltage when TR20 is not conducting (pin 16; peak-to-peak value)	$V_{16-2}(p-p)$		0,9 to 1,4 V
Voltage when TR20 is conducting (pin 16)	V_{16-2}	<	250 mV
Input voltage at commutator (pin 11)	V_{11-2}		-6 to +6 V
Stop signal amplifier			
Differential input voltage	V_{12-13}	{	typ. 3,5 mV 2,6 to 4,4 mV
Voltage without input signal	V_{11-2}		85 to 170 mV
Input voltage (r.m.s. value)	$V_{12-13}(rms)$	>	10 mV



CHARACTERISTICS (continued)

Radio and preamplifier supply

Radio supply current (d.c.)	$-I_8$	\leq	45 mA
Saturation voltage at $-I_{8M} = 80$ mA	V_{8-9}	\leq	1,35 V
Preamplifier supply current (d.c.)	$-I_{10}$	\leq	20 mA
Saturation voltage at $-I_{10} = 20$ mA	V_{10-9}	\leq	1,2 V

Lamp driver

Output current (d.c.)	$-I_1$	\leq	40 mA
Saturation voltage at $-I_{1M} = 100$ mA	V_{4-1}	\leq	1,85 V
D.C. voltage level	V_{15-2}		0,75 to 1,2 V



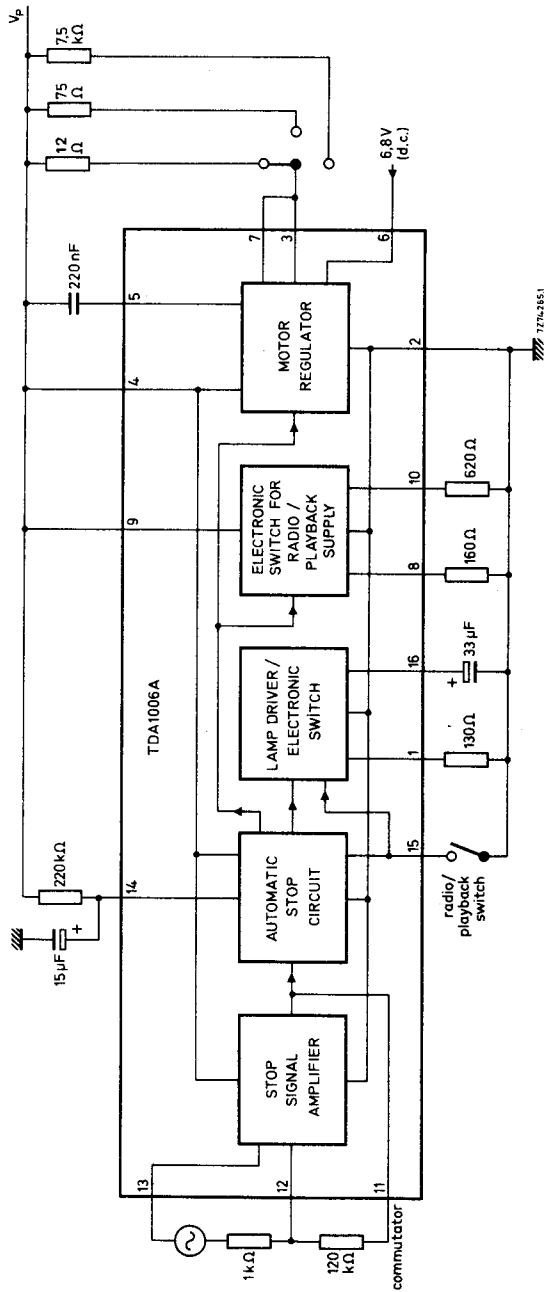
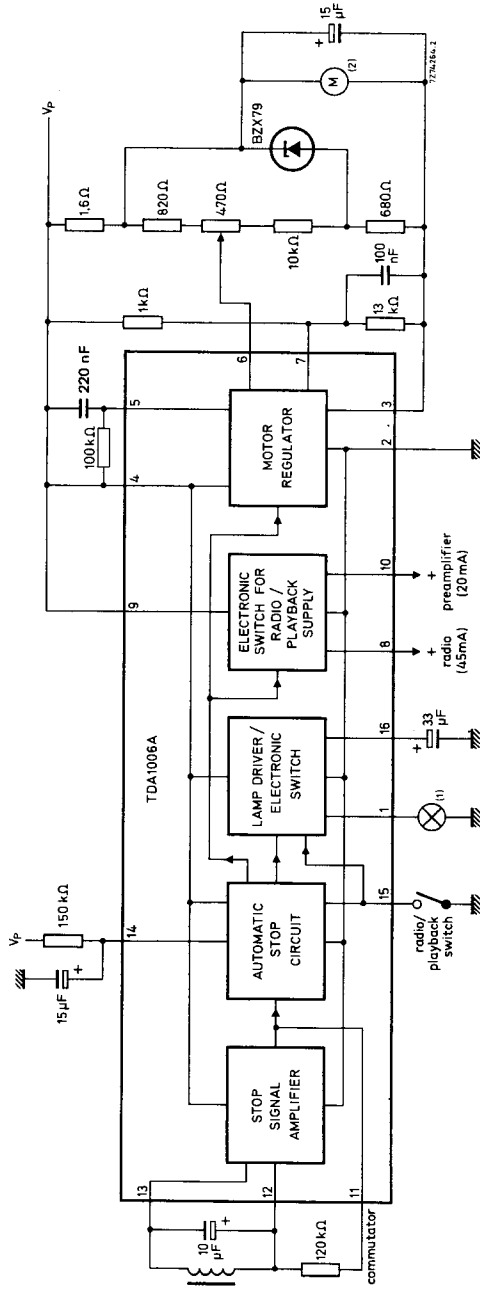


Fig. 3 Test circuit.





APPLICATION INFORMATION



- (1) Radio: lamp off
- Playback: lamp on
- Tape-end: intermittent light
- (2) D.C. motor
- $E_{3000} = 7,2 \text{ to } 8,3 \text{ V}$
- $R_m = 27 \Omega$

Fig. 4 Application circuit diagram.

Copyright © Each Manufacturing Company.

All Datasheets cannot be modified without permission.

This datasheet has been download from :

www.AllDataSheet.com

100% Free DataSheet Search Site.

Free Download.

No Register.

Fast Search System.

www.AllDataSheet.com