

# lamp and relay drivers

**NEW**

## TDE 1797

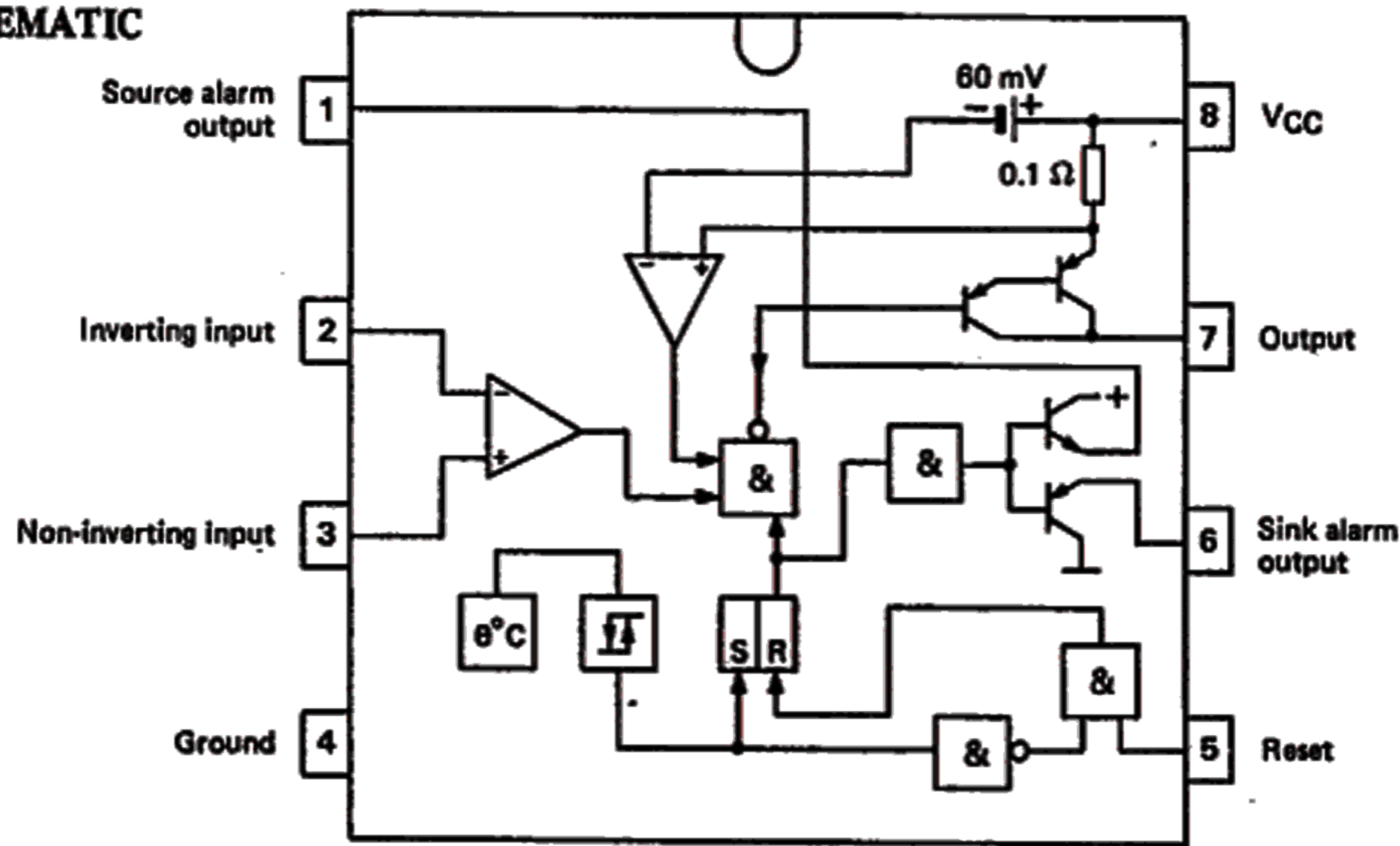
Protected control circuit for industrial equipments



DIL8

- Power switching required by relays or lamps (0.5 A - 35 V)
- Protection of drive circuits while it is itself also protected against output short-circuits.
- Efficiently monitoring of system operation by alarm signal outputs.
- Restart equipment after any fault condition, thanks to the availability of reset input.
- I/O interface.

### INTERNAL SCHEMATIC



### RELAY AND LAMP DRIVERS ( $T_{amb} = +25^{\circ}C$ )

CHARACTERISTIC	SYMBOL	UNIT	TDE 1807	TDE 1847	TDE 1737	TDE 1747	TDE 1767	TDE 1787 A	TDE 1787	TDE 1787 A	TDE 1797	TDE 3207
Supply voltage	$V_{CC\ max}$	V	36	50	50	50	50	60	50	60	50	36
Output current	$I_{O\ nom}$	mA	300	300	300	300	500	500	300	300	500	150
Input offset voltage	$V_{IO\ max}$	mV	50	50	50	50	50	50	50	50	50	50
Input bias current	$I_{B\ typ}$	$\mu A$	0.1	0.1	0.1	0.1	15	15	15	15	15	0.1
Short-circuit current	$I_{SC}$	mA	500*	500*	500*	500*	900*	900*	500*	500*	800	250*
High level saturation voltage	$(V_{CC}-V_O)_{max}$	V	1.8	1.4	Low 1.5	1.4	1.2	1.2	1.2	1.2	1.25	1.8
Input voltage range	$V_{CM}$	V	2 to $V_{CC}-2$	2 to $V_{CC}-2$	2 to $V_{CC}-2$	2 to $V_{CC}-2$	1 to 45	1 to 60	1 to 45	1 to 60	1 to 45	2 to $V_{CC}-2$

	TDE 1807	TDE 1847	TDE 1737	TDE 1747	TDE 1767	TDE 1787 A	TDE 1787	TDE 1787 A	TDE 1797	TDE 3207
	●	●	●							Plastic SO 14
	●	●	●	●	●	●	●	●	●	Plastic DIL 8
	●	●	●	●						6 pin metal can

\* External limitation by one resistor