



NTE85 Silicon NPN Transistor General Purpose Amplifier

Applications:

- Medium Power Amplifiers
- Class B Audio Outputs
- Hi-Fi Drivers

Absolute Maximum Ratings: ($T_A = +25^\circ\text{C}$ unless otherwise specified)

Collector–Emitter Voltage, V_{CEO}	30V
Collector–Base Voltage, V_{CBO}	50V
Emitter–Base Voltage, V_{EBO}	5V
Continuous Collector Current, I_C	500mA
Total Device Dissipation ($T_A = +25^\circ\text{C}$), P_D	625mW
Derate Above 25°C	5.0mW/ $^\circ\text{C}$
Operating Junction Temperature Range, T_J	-55° to $+150^\circ\text{C}$
Storage Temperature Range, T_{stg}	-55° to $+150^\circ\text{C}$
Thermal Resistance, Junction–to–Case, R_{thJC}	83.3 $^\circ\text{C}/\text{W}$
Thermal Resistance, Junction–to–Ambient, R_{thJA}	200 $^\circ\text{C}/\text{W}$

Note 1. These ratings are limiting values above which the serviceability of any semiconductor may be impaired.

Note 2. These ratings are based on a maximum junction temperature of 150°C .

Electrical Characteristics: ($T_A = +25^\circ\text{C}$ unless otherwise specified)

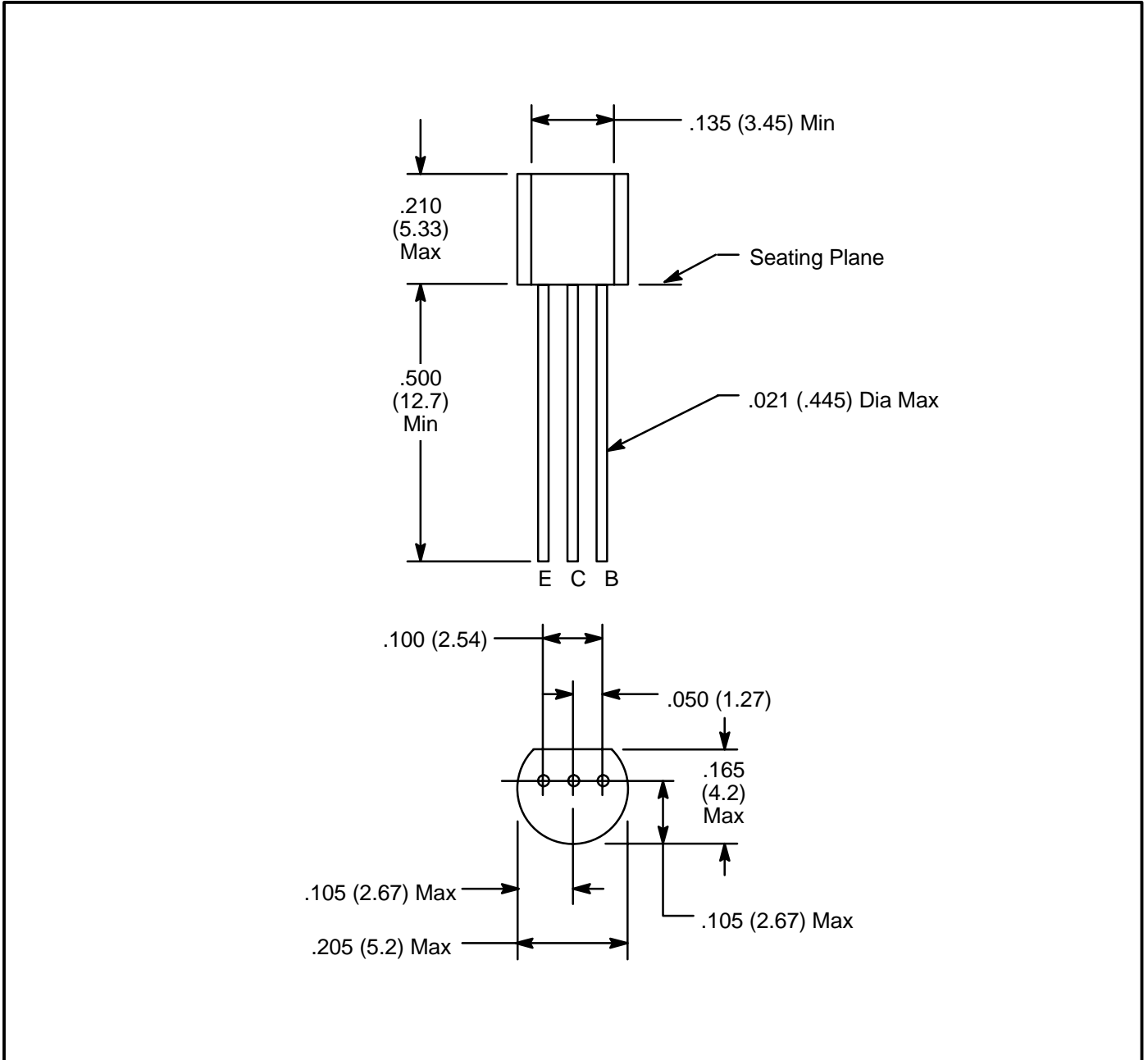
Parameter	Symbol	Test Conditions	Min	Typ	Max	Unit
Collector–Emitter Breakdown Voltage	$V_{(BR)CEO}$	$I_C = 10\text{mA}$, $I_B = 0$, Note 3	30	–	–	V
Collector–Base Breakdown Voltage	$V_{(BR)CBO}$	$I_C = 100\mu\text{A}$, $I_E = 0$	50	–	–	V
Emitter–Base Breakdown Voltage	$V_{(BR)EBO}$	$I_E = 100\mu\text{A}$, $I_C = 0$	5.0	–	–	V
Collector Cutoff Voltage	I_{CBO}	$V_{CB} = 20\text{V}$, $I_E = 0$	–	–	100	nA
Emitter Cutoff Current	I_{EBO}	$V_{BE} = 3\text{V}$, $I_C = 0$	–	–	100	nA

Note 3. Pulse Test: Pulse Width $\leq 300\mu\text{s}$, Duty Cycle $\leq 2\%$

Electrical Characteristics (Cont'd): ($T_A = +25^\circ\text{C}$ unless otherwise specified)

Parameter	Symbol	Test Conditions	Min	Typ	Max	Unit
DC Current Gain	h_{FE}	$V_{CE} = 2\text{V}$, $I_C = 50\text{mA}$, Note 3	100	–	300	
Base–Emitter ON Voltage	$V_{BE(on)}$	$I_C = 100\text{mA}$, $V_{CE} = 2\text{V}$, Note 3	0.5	–	1.0	V
Collector–Emitter Saturation Voltage	$V_{CE(sat)}$	$I_C = 100\text{mA}$, $I_B = 5\text{mA}$, Note 3	–	–	0.6	V
Current Gain–Bandwidth Product	f_T	$I_C = 50\text{mA}$, $V_{CE} = 2\text{V}$	100	–	–	MHz
Collector–Base Capacitance	C_{cb}	$V_{CB} = 10\text{V}$, $I_E = 0$, $f = 1\text{MHz}$	–	–	12	pF

Note 3. Pulse Test: Pulse Width $\leq 300\mu\text{s}$, Duty Cycle $\leq 2\%$



Copyright © Each Manufacturing Company.

All Datasheets cannot be modified without permission.

This datasheet has been download from :

www.AllDataSheet.com

100% Free DataSheet Search Site.

Free Download.

No Register.

Fast Search System.

www.AllDataSheet.com