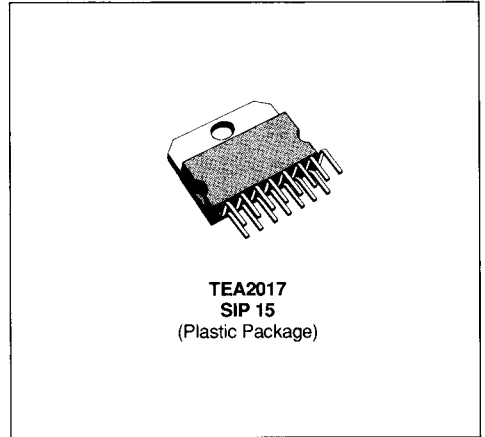


HORIZONTAL AND VERTICAL DEFLECTION MONITOR

- DIRECT FRAME YOKE DRIVE $\pm 1.5A$ DRIVING CURRENT
- LINE DARLINGTON DRIVING CAPABILITY
- BUILT-IN FRAME SEPARATOR WITHOUT EXTERNAL COMPONENTS
- MUTING OUTPUT
- INTEGRATED FLYBACK GENERATOR
- FRAME OUTPUT PROTECTION AGAINST SHORT CIRCUITS
- VERY FEW EXTERNAL COMPONENTS
- HIGH DISSIPATION POWER PACKAGE

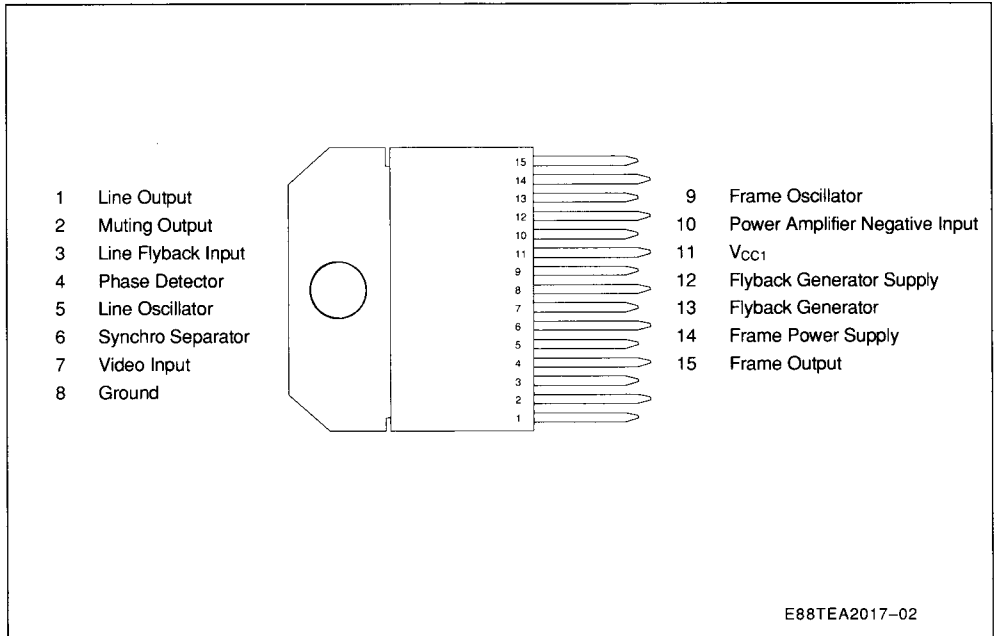
DESCRIPTION

The TEA2017 is an horizontal and vertical deflection circuit. It is particularly intended for black and white TV and display video units but it can also be used in low cost color TV applications. The TEA2017 provides a low cost deflection system.



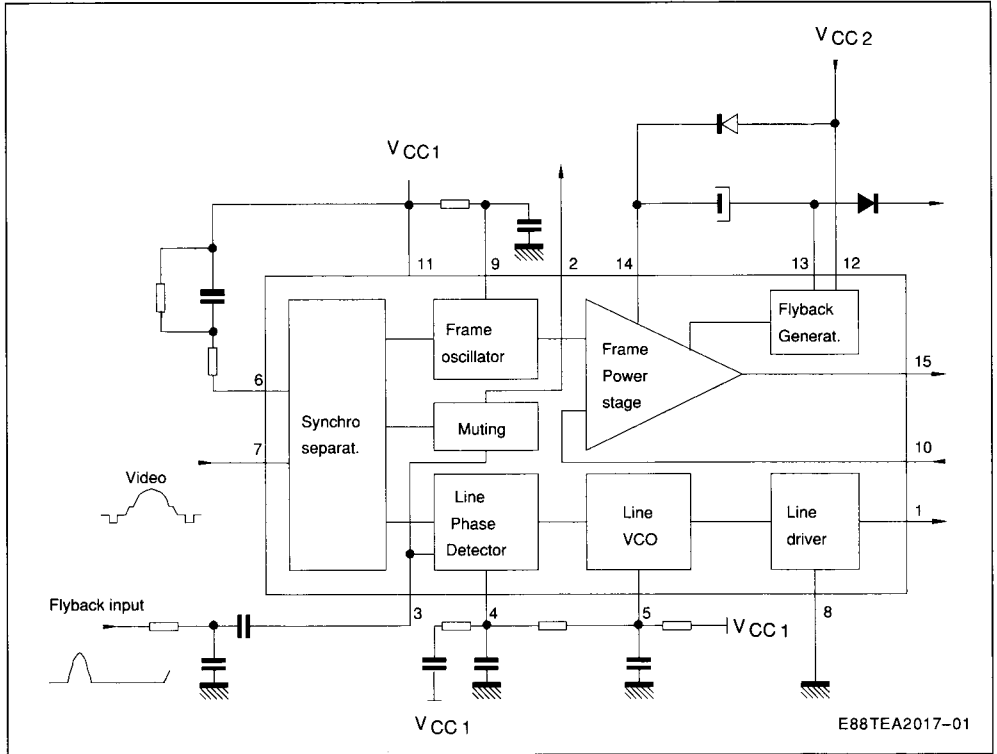
TEA2017
SIP 15
(Plastic Package)

PIN CONNECTIONS



E88TEA2017-02

BLOCK DIAGRAM



ABSOLUTE MAXIMUM RATINGS

| Symbol | Parameter | Value | Unit |
|------------------|------------------------------------|-------------|------|
| VCC1 | Supply Voltage | 20 | V |
| V12 | Flyback Generator Supply Voltage | 30 | V |
| V14 | Frame Power Supply Voltage | 60 | V |
| I15 | Frame Output Current | ± 1.5 | A |
| V1 | Line Output Voltage (external) | 60 | V |
| I _{p1} | Line Output Peak Current | 0.8 | A |
| I _{c1} | Line Output Continuous Current | 0.4 | A |
| T _{stg} | Storage Temperature | - 40 to 150 | °C |
| T _j | Max Operating Junction Temperature | 150 | °C |

THERMAL DATA

| | | | |
|-----------------------|---|-----|------|
| R _{th (j-c)} | Max Junction-case Thermal Resistance | 3 | °C/W |
| R _{th (j-a)} | Typical Junction-ambient Thermal Resis. | 40 | °C/W |
| T _J | Max Recommended Junction Temperature | 120 | °C |

ELECTRICAL CHARACTERISTICS

(Tamb = 25°C ; VCC1 = 10V)

| Symbol | Parameter | Min. | Typ. | Max. | Unit |
|-----------------------------|--|------|-------|------|----------|
| | Supply Pin 11 | | | | |
| ICC1 | Supply Current | | 15 | | mA |
| VCC1 | Supply Voltage | 8 | | 20 | V |
| | Video Input Pin 7 | | | | |
| V7 | Input Threshold Voltage (I7 = - 1μA) Video Input Signal (see figure application n°1) | 0.4 | 4 | 4 | V Vpp |
| | Line Flyback Input Pin 3 | | | | |
| V3 | Bias Voltage | | 2.7 | | V |
| Z3 | Input Impedance | 4.5 | 6 | 8 | KΩ |
| | Phase Comparator Pin 4 | | | | |
| I4 | Output Current During Synchro Pulse | | ± 600 | | μA |
| I4R | Current Ratio (positive/negative) | 0.9 | 1.0 | 1.1 | |
| LI4 | Leakage Current | - 1 | | + 1 | μA |
| | Control Range Voltage | 2.5 | | 7 | V |
| | Control Sensibility (see figure application n°1) | | 750 | | Hz/μs |
| | Pull in Range (see figure application n°1) | | ± 800 | | Hz |
| | Line Oscillator Pin 5 | | | | |
| LT5 | Low Threshold Voltage | | 3.2 | | V |
| HT5 | High Threshold Voltage | | 6.6 | | V |
| BI5 | Bias Current | | 50 | | nA |
| DR5 | Discharge Impedance | | 800 | | Ω |
| FLP1 | Free Running Line Period R = 12KΩ Tied to VCC1 | 61.5 | 64 | 66.5 | μs |
| | C = 6.8nF Tied to Ground | | | | |
| FLP2 | Free Running Line Period R = 12.3KΩ | | 27 | | μs |
| | C = 2.2nF | | | | |
| OT5 | Oscillator Threshold for Line Output Pulse Triggering | | 5 | | V |
| $\frac{\Delta T}{\Delta V}$ | Supply Voltage Influence on Free-running Period | | 0.051 | | μs/V |

ELECTRICAL CHARACTERISTICS

(Tamb = 25°C ; VCC1 = 10V ; V14 = 30V)

| Symbol | Parameter | Min. | Typ. | Max. | Unit |
|------------------------------|--|------|----------------------|-----------|------------------|
| | Line Output Pin 1 | | | | |
| LV1 CPW | Saturation Voltage to Ground (I1 = 200mA) Output Pulse Width (line period = 64µs) | 20 | 1.1 22 | 1.5 24 | V µs |
| | Muting Pin 2 | | | | |
| | (see figure application n°1) Output Voltage : Without Video Signal With Video Signal | | 8 0.7 | 1.2 | V V |
| | Frame Oscillator Pin 9 | | | | |
| LT9 | Low Threshold Voltage | 1.8 | 2 | 2.3 | V |
| HT9 | High Threshold Voltage | 2.6 | 3.1 | 3.6 | V |
| BI9 | Bias Current | | 100 | | nA |
| DR9 | Discharge Impedance | | 500 | | Ω |
| FFP1 | Free Running Frame Period R = 845KΩ Tied to VCC1 C = 180nF Tied to Ground | 21.4 | 22.5 | 25 | ms |
| FFP2 | Free Running Frame Period R = 425KΩ C = 220nF | | 14.3 | | ms |
| MFP | Minimum Frame Period (I7 = - 100µA) with the Same RC | 14.6 | 17 | 19 | ms |
| FG | Frame Sawtooth Gain between Pin 9 and non-inverting Input of the Frame Amplifier (internal) | | - 0.4 | | |
| | Frame Power Supply Pin 14 | | | | |
| V14 I14 | Operating Voltage (with flyback generator) Supply Current (V14 = 30V) | 10 | 16 | 58 25 | V mA |
| | Flyback Generator Supply Pin 12 | | | | |
| V12 | Operating Voltage | 10 | | 30 | V |
| | Frame Output | | | | |
| LV15A LV15B | Saturation Voltage to Ground I15 = 0.1A I15 = 1A | | 60 0.4 | 0.8 | mV V |
| HV15A HV15B | Saturation Voltage to VCC2 I15 = - 0.1A I15 = - 1A | | 1.3 1.7 | 2.4 | V V |
| FV15A FV15B | Saturation Voltage to VCC2 in Flyback Mode (V15 > V14) I15 = 0.1A I15 = 1A | | 1.7 2.6 | 4 | V V |
| | Flyback Generator Pin 12 And 13 | | | | |
| F2DA F2DB FSVA FSVB | * Flyback Transistor on (output = high state) V3/2 With I3 → 2 = 0.1A I3 → 2 = 1A V2/3 With I2 → 3 = 0.1A I2 → 3 = 1A | | 1.6 3 0.9 2 | 4 4 | V V V V |
| FCI | * Flyback Transistor off (output = V14 - 8V) V12 = V14 = 30V Leakage Current Pin 12 | | | 100 | µA |

GENERAL DESCRIPTION

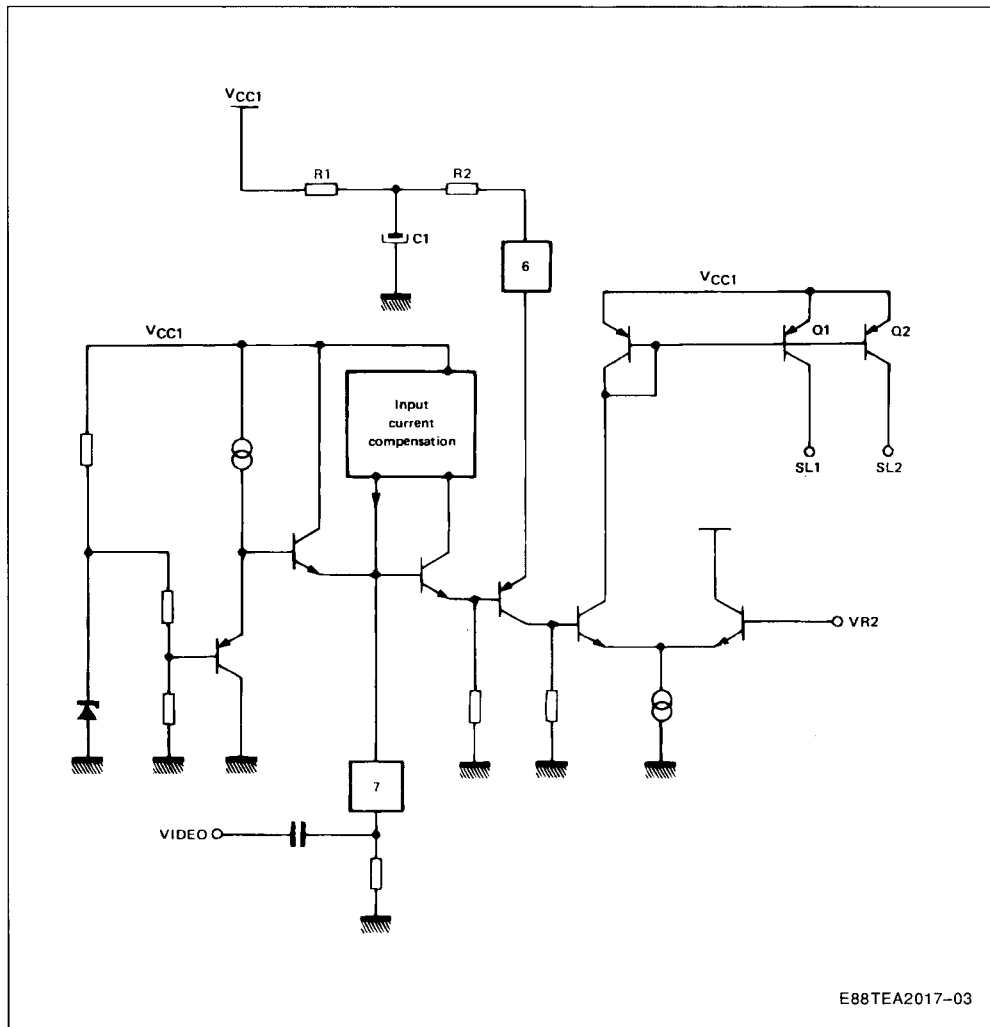
The TEA2017 performs all of the video and power functions required to provide signals for the direct drive of a line darlington and the frame yoke.

It contains :

- A synchronizing separator with the slice level of synchro separation determined by the external components.
- An integrated frame synchronizing separator without external components.

- A saw tooth generator for the frame with synchronization allowed during the last fourth of the free run period.
- A power amplifier for direct drive of the frame yoke with overload, short circuit and thermal protections.
- A line phase detector and a voltage control oscillator.
- An open collector output for the direct drive of a line darlington.
- A muting output.

SYNCHRONIZATION SEPARATOR CIRCUIT

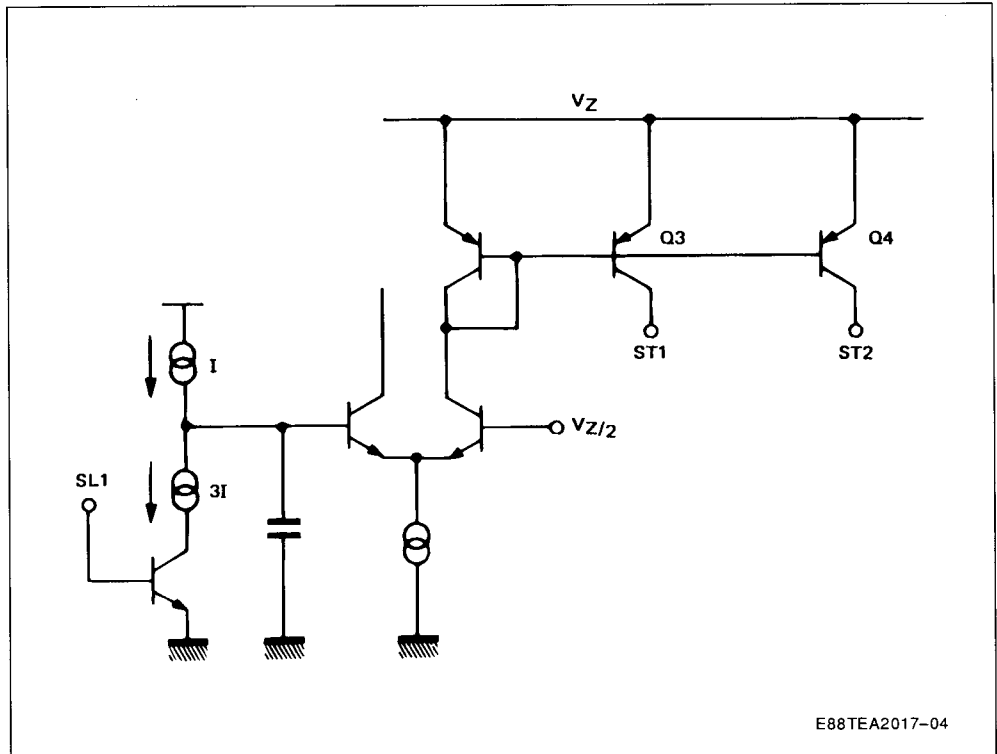


E88TEA2017-03

The sync-tip DC level on pin 7 is clamped to 3.8V. The slice level of sync-separation present on capacitor C1 depends on the value of resistor R1 and R2.

When the video signal on pin 7 decreases under the capacitor voltage the transistors Q1 and Q2 provide current for the other parts of the circuit.

FRAME SEPARATOR

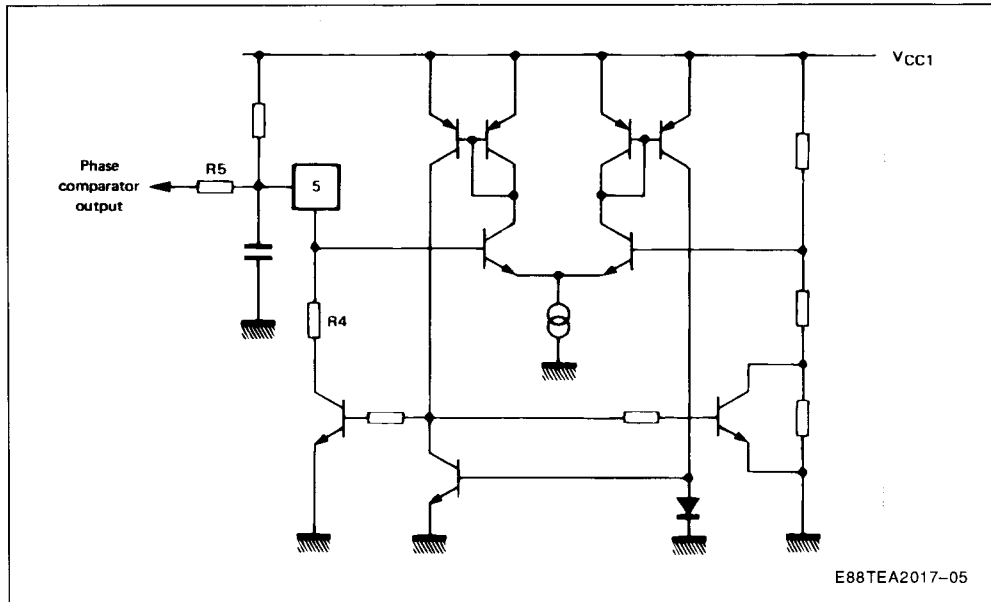


E88TEA2017-04

The sync-pulse allows the discharge of the capacitor by a $2 \times I$ current. A line sync-pulse is not able to discharge the capacitor under $Vz/2$. A frame sync

pulse permits the complete discharge of the capacitor, so during the frame sync-pulse Q3 and Q4 provide current for the other parts of the circuit.

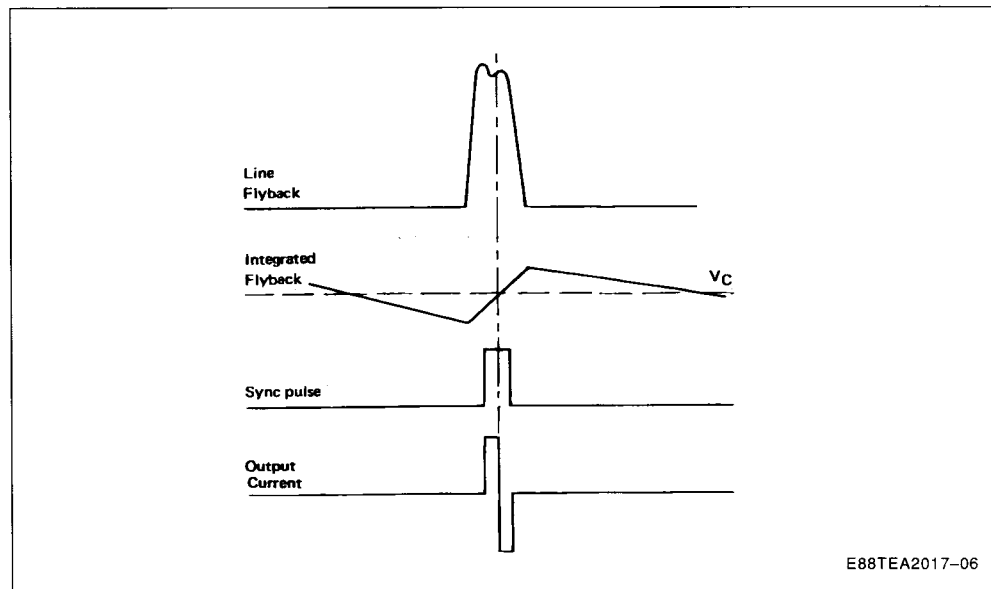
LINE OSCILLATOR



The oscillator thresholds are internally fixed by resistors. The discharge of the capacitor depends on

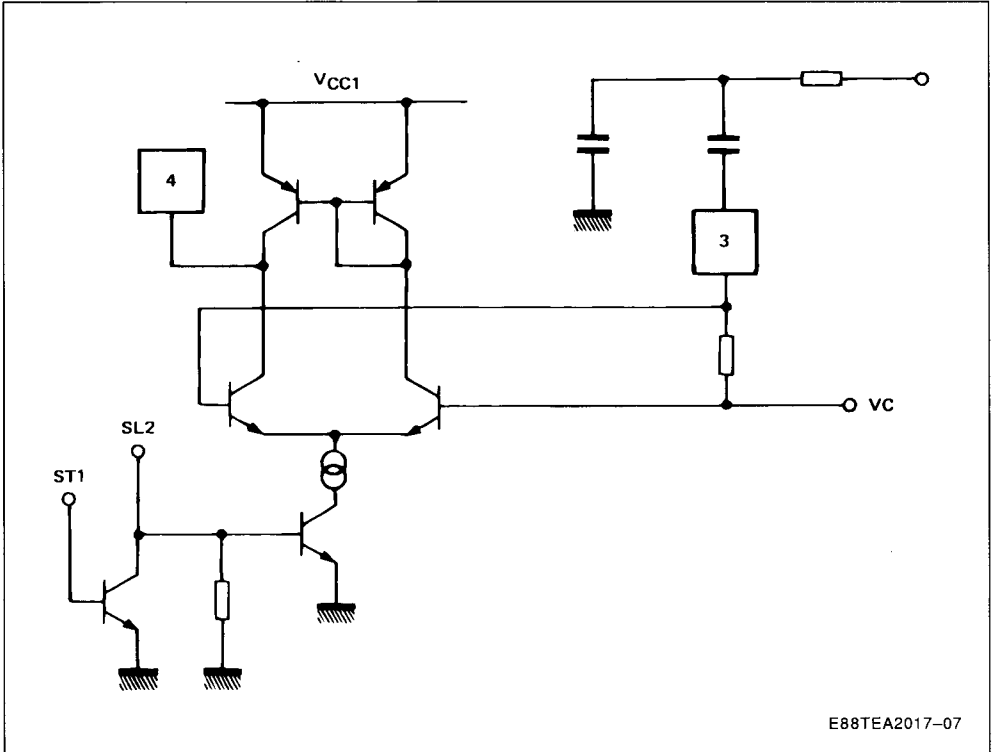
the internal resistor R4. The voltage control is applied on resistor R5.

PHASE COMPARATOR



The sync-pulse drives the current in the comparator. The line flyback integrated by the external network gives on pin 3 a saw tooth, the DC offset of this saw tooth is fixed by VC. The comparator output provides a positive current for the part of the signal on pin 3 superior to VC and a negative current for the

other part. When the line flyback and the video signal are synchronized, the output of the comparator is an alternately negative and positive current. The frame sync-pulse inhibits the comparator to prevent frequency drift of the line oscillator on the frame beginning.



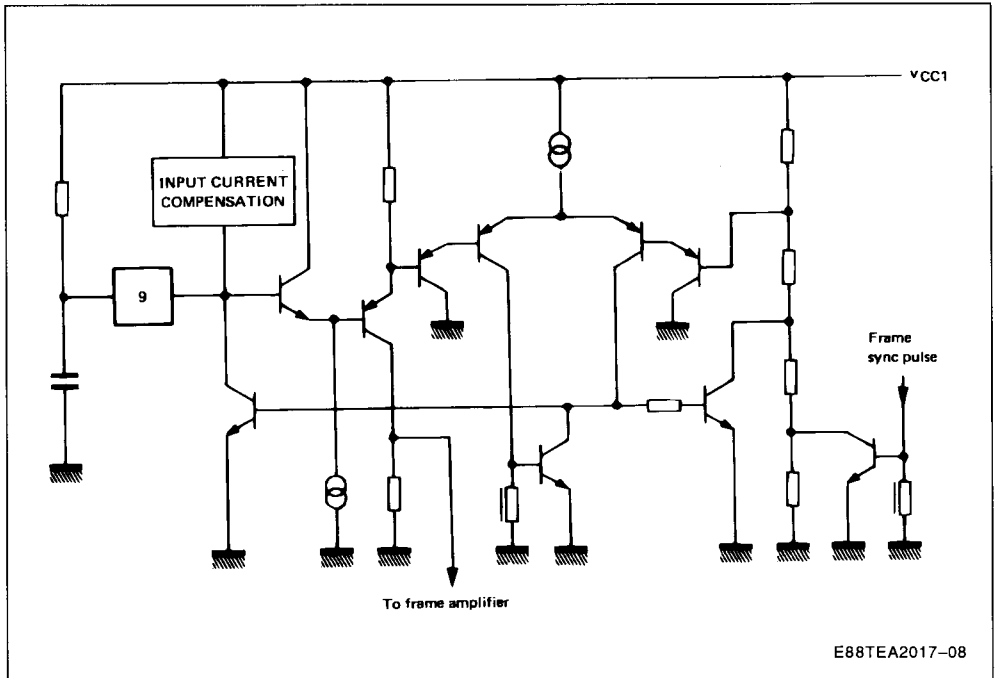
E88TEA2017-07

LINE OUTPUT (PIN 1)

It is an open collector output which is able to drive pulse current of 500mA for a rapid discharging of

the darlington base. The output pulse time is $22\mu\text{s}$ for a $64\mu\text{s}$ period.

FRAME OSCILLATOR



E88TEA2017-08

The oscillator thresholds are internally fixed by resistors. The oscillator is synchronized during the last fourth of the free run period. The input current during the charge of the capacitor is less than 100nA.

FRAME OUTPUT AMPLIFIER

This amplifier is able to drive directly the frame yoke. Its output is short circuit and overload protected ; it contains also a thermal protection.

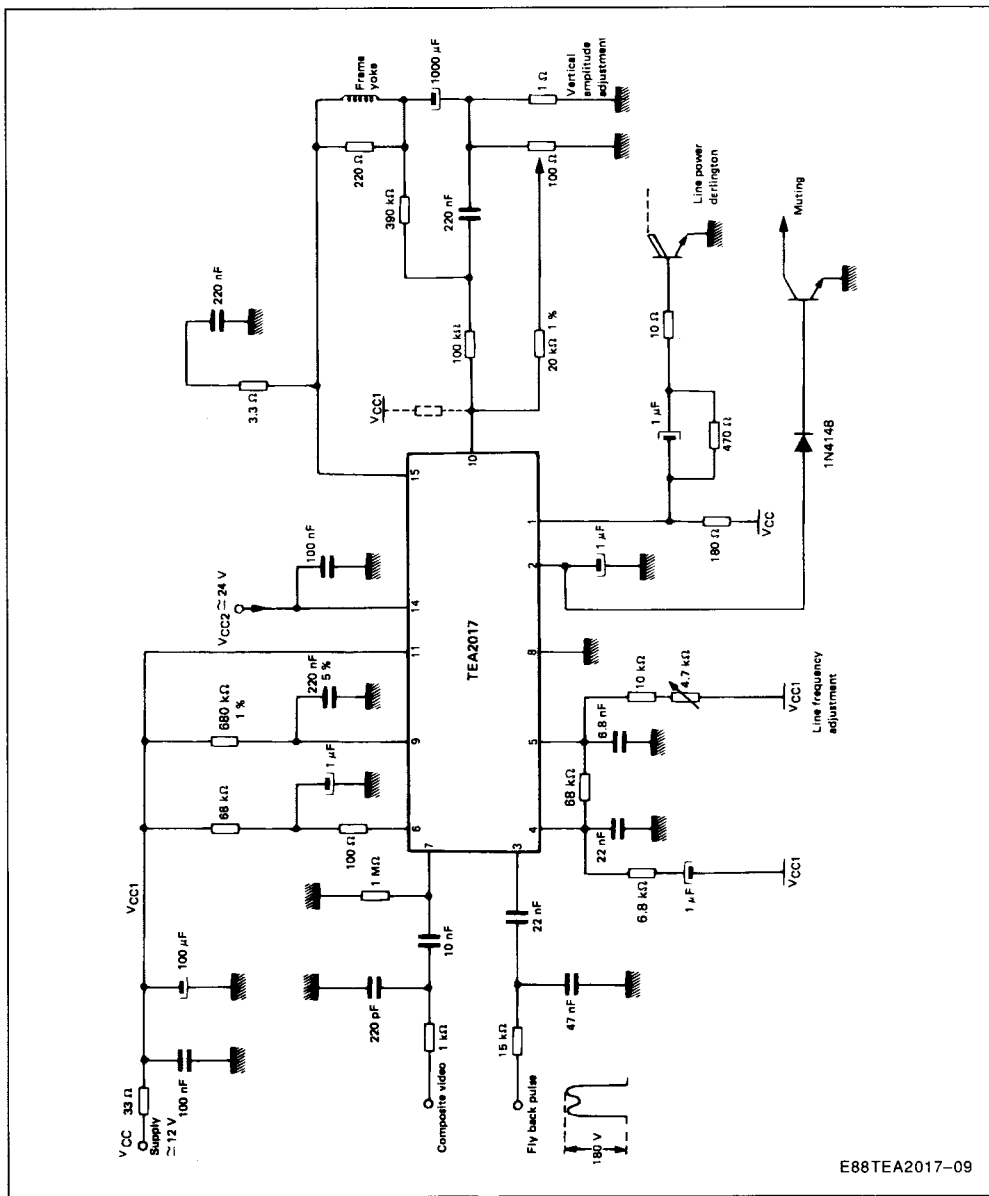
Its positive input is directly connected to the invert of the frame saw tooth.

MUTING OUTPUT

It delivers voltage pulse during the line fly-back if there is no video signal on the input. The output impedance is 1k Ω .

APPLICATION N°1 (without internal flyback generator)

TYPICAL BLACK-WHITE TV APPLICATION FOR 14" - 110" SCREEN (with yoke L = 27 mH, R = 15Ω, I_{pp} = 0.5A)

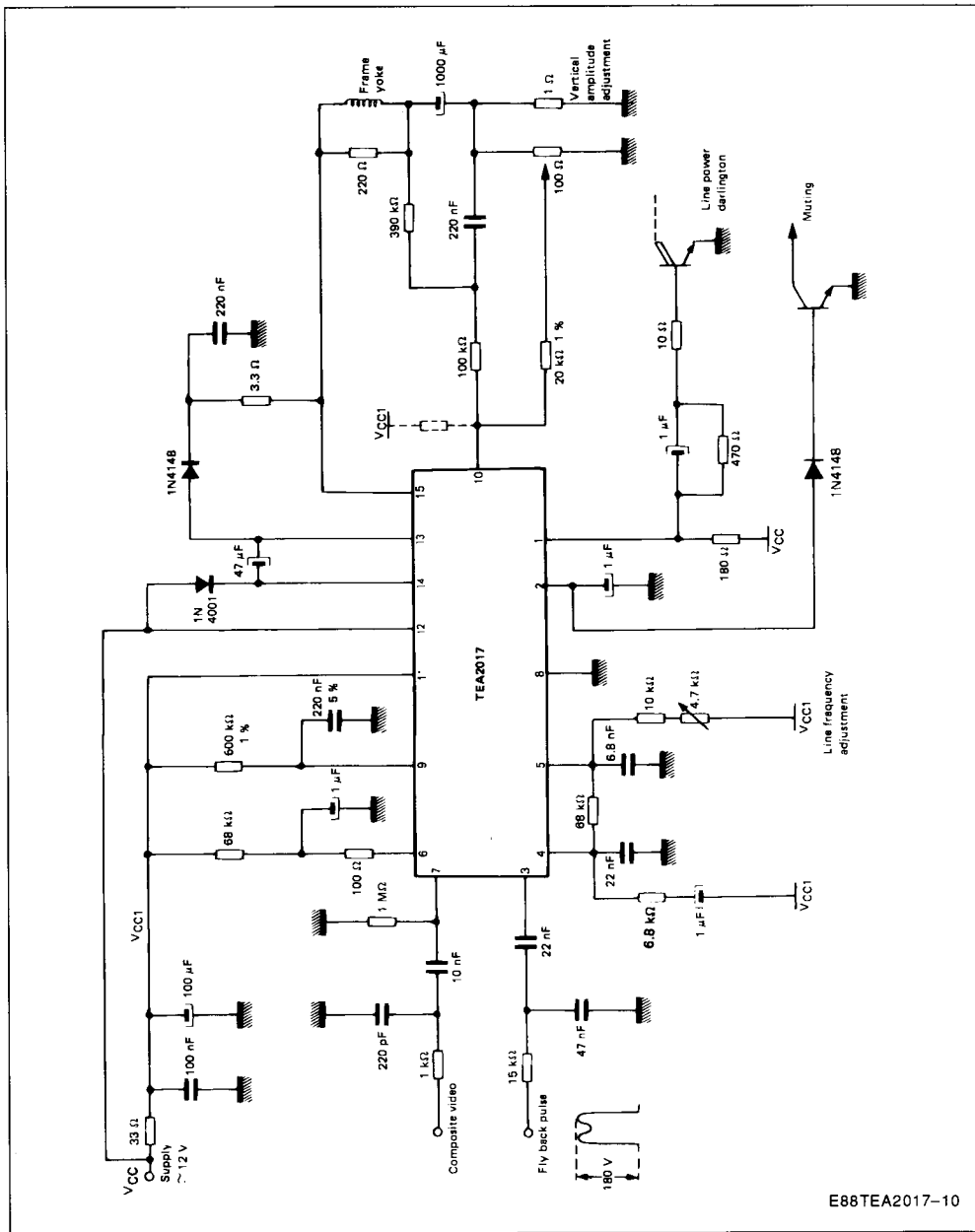


E88TEA2017-09

V_{CC2} : Power stage supply from high voltage transformer.
 V_{CC1} must be perfectly filtered.

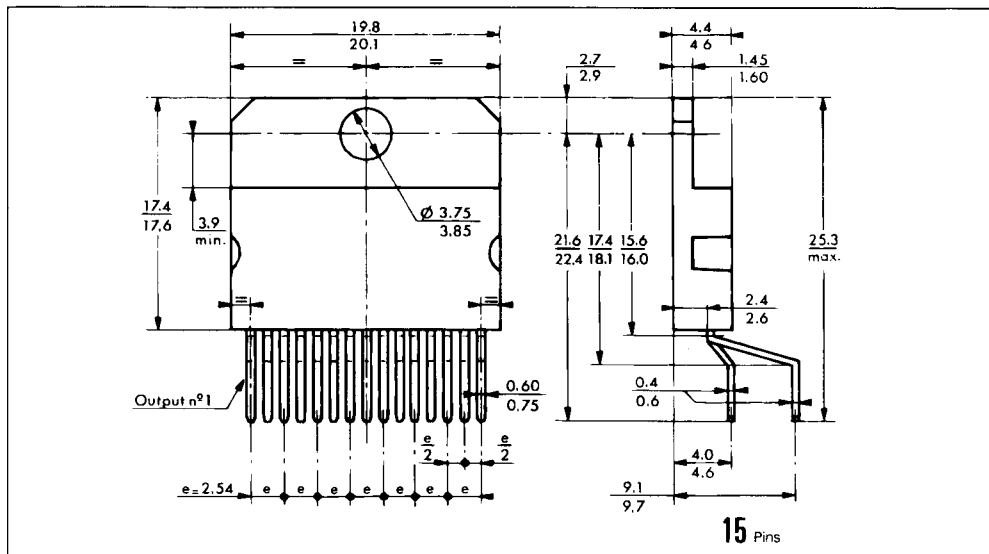
APPLICATION N°2 (with internal flyback generator)

TYPICAL BLACK-WHITE TV APPLICATION FOR 14" – 110° SCREEN (with yoke L = 27 mH, R = 15Ω, I_{pp} = 0.5A)



PACKAGE MECHANICAL DATA

15 PINS – PLASTIC SIP



Copyright © Each Manufacturing Company.

All Datasheets cannot be modified without permission.

This datasheet has been download from :

www.AllDataSheet.com

100% Free DataSheet Search Site.

Free Download.

No Register.

Fast Search System.

www.AllDataSheet.com