

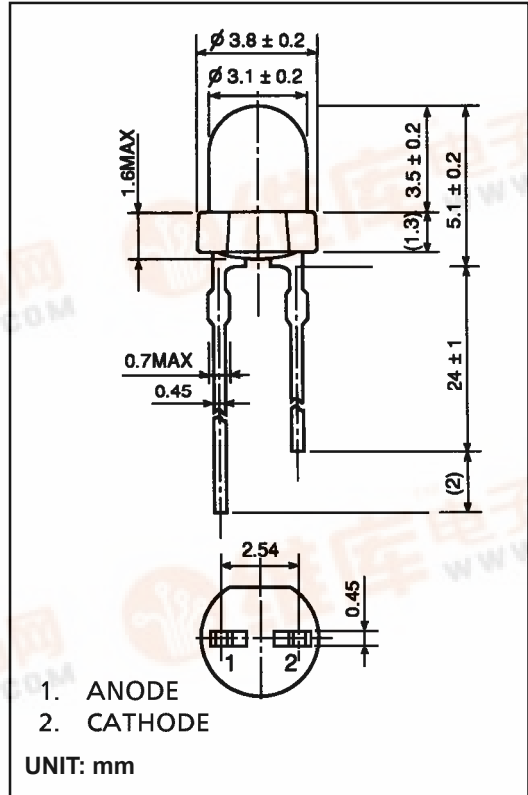
# TLGE262

## Product Features -

- InGaAlP Technology
- 3mm Diameter T-1 Package
- High Luminous Intensity
- Water Clear Lens
- Fast Response Time, Capable of Pulse Operation

### MAXIMUM RATINGS (Ta = 25°C)

CHARACTERISTIC	SYMBOL	RATING	UNIT
Forward Current	$I_F$	50	mA
Reverse Voltage	$V_R$	4	V
Power Dissipation	$P_D$	140	mW
Operating Temperature	$T_{opr}$	-30 ~ 85	°C
Storage Temperature	$T_{stg}$	-40 ~ 120	°C



### OPTO-ELECTRICAL CHARACTERISTICS (Ta = 25°C)

CHARACTERISTIC	SYMBOL	TEST CONDITION	MIN.	TYP.	MAX.	UNIT
Forward Voltage	$V_F$	$I_F = 20\text{mA}$	—	2.27	2.8	V
Reverse Current	$I_R$	$V_R = 4\text{V}$	—	—	50	$\mu\text{A}$
Luminous Intensity	$I_v$	$I_F = 20\text{mA}$	45	150	—	mcd
Viewing Angle	$2\theta_{1/2}$	—	—	62	—	°
Peak Wavelength	$\lambda_p$	$I_F = 20\text{mA}$	—	574	—	nm
Dominant Wavelength	$\lambda_d$	$I_F = 20\text{mA}$	—	571	—	nm
Spectral Line Half Width	$\Delta\lambda$	$I_F = 20\text{mA}$	—	11	—	nm

Luminous Ranks: (M : 56-112mcd), (N : 100-200mcd), (P : 180-360mcd) Upper and lower limit tolerance  $\pm 15\%$

Available in One Bin Combination: (MN)



## TLGE262 Graphs -

