

TOSHIBA Photocoupler GaAlAs IRed & Photo IC

TLP558

- Isolated Bus Driver
- High Speed Line Receiver
- Microprocessor System Interfaces
- MOS FET Gate Driver
- Transistor Inverter

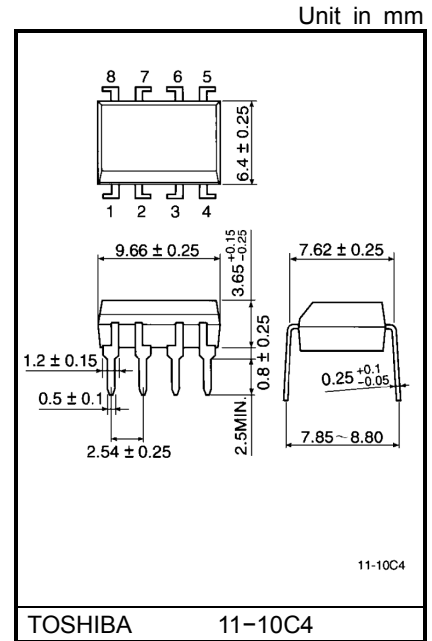
The TOSHIBA TLP558 consists of a GaAlAs light emitting diode and integrated high gain, high speed photodetector. This unit is 8-lead DIP package. The detector has a three state output stage that provides source drive and sink drive, and built-in schmitt trigger. The detector IC has an internal shield that provides a guaranteed common mode transient immunity of 1000V / μ s. TLP558 is inverter logic type. For buffer logic type, TLP555 is in line-up.

- Input current: $I_F=1.6\text{mA}(\text{max.})$
- Power supply voltage: $V_{CC}=4.5\sim 20\text{V}$
- Switching speed: $t_{pHL}, t_{pLH}=400\text{ns}(\text{max.})$
- Common mode transient immunity: $\pm 1000\text{V} / \mu\text{s}(\text{min.})$
- Guaranteed performance over temperature: $-25\sim 85^\circ\text{C}$
- Isolation voltage: $2500V_{\text{rms}}(\text{min.})$
- UL recognized: UL1577, file No. E67349

Truth Table(positive logic)

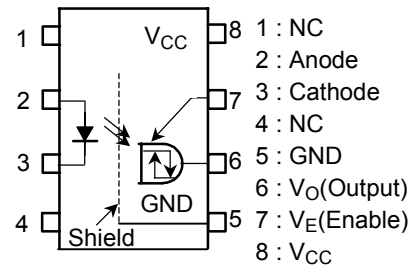
Input	Enable	Output
H	H	L
L	H	H
H	L	Z
L	L	Z

A 0.1 μ F bypass capacitor must be connected between pins 8 and 5 (see Note 9).

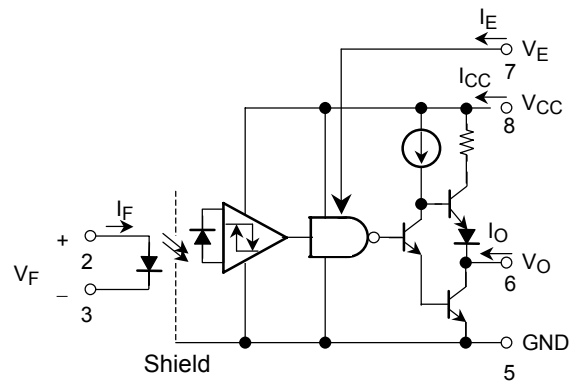


Weight: 0.54 g

Pin Configuration(top view)



Schematic



Maximum Ratings (no derating required up to 85°C unless otherwise noted)

Characteristic		Symbol	Rating	Unit
LED	Forward current	I_F	10	mA
	Peak transient forward current (Note 1)	I_{FPT}	1	A
	Reverse voltage	V_R	5	V
Detector	Output current	I_O	40 / -25	mA
	Peak output current (Note 2)	I_{OP}	80 / -50	mA
	Output voltage	V_O	-0.5~20	V
	Supply voltage	V_{CC}	-0.5~20	V
	Three state enable voltage	V_E	-0.5~20	V
	Output power dissipation (Note 3)	P_O	100	mW
	Total package power dissipation (Note 4)	P_T	200	mW
	Operating temperature range	T_{opr}	-40~85	°C
Storage temperature range	T_{stg}	-55~125	°C	
Lead solder temperature(10s)**	T_{sol}	260	°C	
Isolation voltage(AC, 1min., R.H.≤ 60%, Ta=25°C) (Note 5)	BV_S	2500	Vrms	

(Note 1) Pulse width ≤ 1μs, 300pps.

(Note 2) Pulse width ≤ 5μs, duty ratio ≤ 0.025.

(Note 3) Derate 1.8mW / °C above 70°C ambient temperature.

(Note 4) Derate 3.6mW / °C above 70°C ambient temperature.

(Note 5) Device considered a two terminal device: Pins 1, 2, 3 and 4 shorted together, and pins 5, 6, 7 and 8 shorted together.

**1.6mm below seating plane.

Recommended Operating Conditions

Characteristic	Symbol	Min.	Typ.	Max.	Unit
Input current, on	$I_{F(ON)}$	2*	—	5	mA
Input voltage, off	$V_{F(OFF)}$	0	—	0.8	V
Supply voltage	V_{CC}	4.5	—	20	V
Enable voltage high	V_{EH}	2.0	—	20	V
Enable voltage low	V_{EL}	0	—	0.8	V
Fan out(TTL load)	N	—	—	4	—
Operating temperature	T_{opr}	-25	—	85	°C

*2mA condition permits at least 20% CTR degradation guardband.

Initial switching threshold is 1.6mA or less.

Electrical Characteristics(unless otherwise specified, Ta = -25~85°C, VCC = 4.5~20V)

Characteristic	Symbol	Test Condition	Min.	Typ.*	Max.	Unit	
Input forward voltage	V _F	I _F =5mA, Ta=25°C	—	1.55	1.7	V	
Temperature coefficient of forward voltage	ΔV _F / ΔTa	I _F =5mA	—	-2.0	—	mV / °C	
Input reverse current	I _R	V _R =5V, Ta=25°C	—	—	10	μA	
Input capacitance	C _T	V _F =0, f=1MHz, Ta=25°C	—	45	—	pF	
Output leakage current (V _O > V _{CC})	I _{OHH}	V _F =0, V _{CC} =4.5V	V _O =V _E =5.5V	—	—	100	μA
			V _O =V _E =20V	—	0.01	500	
Logic low output voltage	V _{OL}	I _{OL} =6.4mA, I _F =1.6mA V _E =2V	—	0.4	0.5	V	
Logic high output voltage	V _{OH}	I _{OH} =-2.6mA, V _F =0.8V V _E =2V	2.4	3.3	—	V	
Logic low enable current	I _{EL}	V _E =0.4V	—	-0.13	-0.32	mA	
Logic high enable current	I _{EH}	V _E =2.7V	—	—	20	μA	
		V _E =5.5V	—	—	100		
		V _E =20V	—	0.01	250		
Logic low enable voltage	V _{EL}	—	—	—	0.8	V	
Logic high enable voltage	V _{EH}	—	2.0	—	—	V	
Logic low supply current	I _{CCL}	I _F =5mA	V _{CC} =V _E =5.5V	—	4.0	6.0	mA
			V _{CC} =V _E =20V	—	4.6	7.5	
Logic high supply current	I _{CCH}	V _F =0V	V _{CC} =V _E =5.5V	—	4.2	6.0	mA
			V _{CC} =V _E =20V	—	4.7	7.5	
High impedance state output current	I _{OZL}	V _F =0V V _E =0.8V	V _O =0.4V	—	—	-20	μA
			V _O =2.4V	—	—	20	
	I _{OZH}	I _F =5mA V _E =0.8V	V _O =5.5V	—	—	100	
			V _O =20V	—	1	500	
Logic low short circuit output current (Note 6)	I _{OSL}	I _F =5mA V _E =2V	V _O =V _{CC} =5.5V	25	55	—	mA
			V _O =V _{CC} =20V	40	80	—	
Logic high short circuit output current (Note 6)	I _{OSH}	V _F =0V, V _O =GND V _E =2V	V _{CC} =5.5V	-10	-25	—	mA
			V _{CC} =20V	-25	-60	—	
Input current logic low output	I _{FL}	V _E =2V, I _O =6.4mA V _O < 0.4V	—	0.4	1.6	mA	
Input voltage logic high output	V _{FH}	V _E =2V, I _O =-2.6mA V _O > 2.4V	0.8	—	—	V	

Electrical Characteristics(unless otherwise specified, Ta = -25~85°C, VCC = 4.5~20V)

Characteristic	Symbol	Test Condition	Min.	Typ.*	Max.	Unit
Input current hysteresis	I _{HYS}	V _{CC} =V _E =5V	—	0.05	—	mA
Resistance (input-output)	R _S	V _S =500V, R.H. ≤60% Ta=25°C (Note 5)	5×10 ¹⁰	10 ¹⁴	—	Ω
Capacitance(input-output)	C _S	V _S =0, f=1MHz, Ta=25°C (Note 5)	—	1.0	—	pF

*All typical values are at Ta=25°C, V_{CC}=5V, I_{F(ON)}=3mA unless otherwise specified.

Switching Characteristics(unless otherwise specified, VCC = 4.5~20V, Ta = 25°C)

Characteristic	Symbol	Test Circuit	Test Condition	Min.	Typ.*	Max.	Unit
Propagation delay time to logic high output (Note 7)	t _{pLH}	1	I _F =3→0mA	—	250	400	ns
Propagation delay time to logic low output (Note 7)	t _{pHL}		I _F =0→3mA	—	270	400	ns
Output rise time (10~90%)	t _r		I _F =3→0mA, V _{CC} =5V	—	35	75	ns
Output fall time (90~10%)	t _f		I _F =0→3mA, V _{CC} =5V	—	20	75	ns
Output enable time to logic high	t _{pZH}	2	V _E =0→3V	—	—	—	ns
Output enable time to logic low	t _{pZL}		V _E =0→3V	—	—	—	ns
Output disable time from logic high	t _{pHZ}		V _E =3→0V	—	—	—	ns
Output disable time from logic low	t _{pLZ}		V _E =3→0V	—	—	—	ns
Common mode transient immunity at logic high output (Note 8)	C _{MH}	3	I _F =0mA, V _{CM} =50V V _{O(Min.)} =2V	1000	—	—	V / μs
Common mode transient immunity at logic low output (Note 8)	C _{M L}		I _F =1.6mA, V _{CM} =50V V _{O(Max.)} =0.8V	-1000	—	—	V / μs

* All typical values are at Ta=25°C, V_{CC}=5V

(Note 6) Duration of output short circuit time should not exceed 10ms.

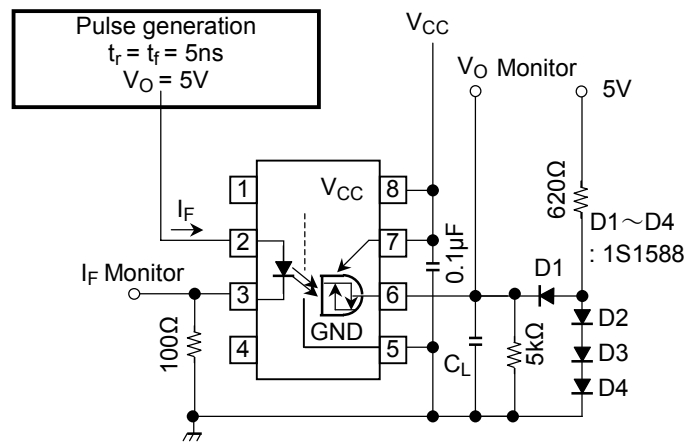
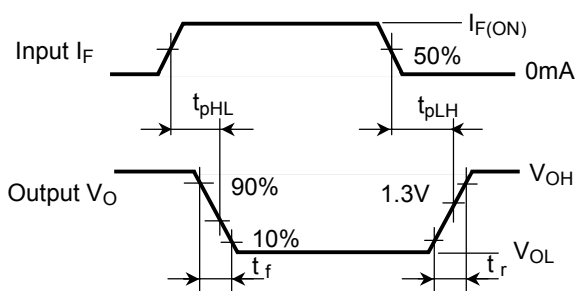
(Note 7) The t_{pLH} propagation delay is measured from the 50% point on the trailing edge of the input pulse to the 1.3V point on the leading edge of the output pulse. The t_{pHL} propagation delay is measured from the 50% point on the leading edge of the input pulse to the 1.3V point on the trailing edge of the output pulse.

(Note 8) C_{ML} is the maximum rate of fall of the common mode voltage that can be sustained with the output voltage in the logic low state ($V_O > 0.8V$).

C_{MH} is the maximum rate of rise of the common mode voltage that can be sustained with the output voltage in the logic state ($V_O > 2.0$).

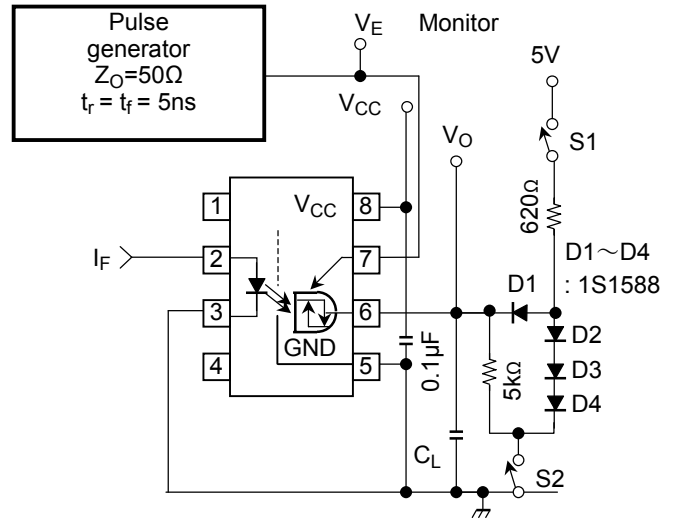
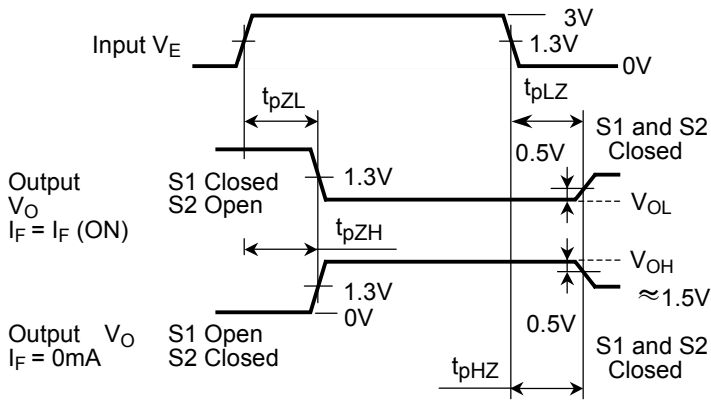
(Note 9) A ceramic capacitor (0.1 μ F) should be connected from pin 8 to pin 5 to stabilize the operation of the high gain linear amplifier. Failure to provide the bypassing may impair the switching property. The total lead length between capacitor and coupler should not exceed 1cm.

Test Circuit 1: t_{pLH} , t_{pHL} , t_r And t_f



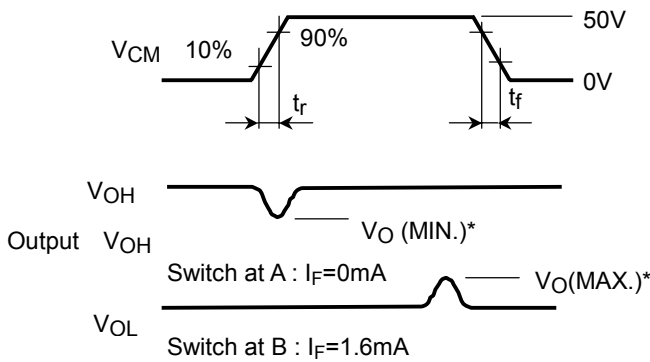
C_L is approximately 15pF which includes probe and stray wiring capacitance.

Test Circuit 2: t_{pHZ} , t_{pZH} , t_{pLZ} And t_{pZL}



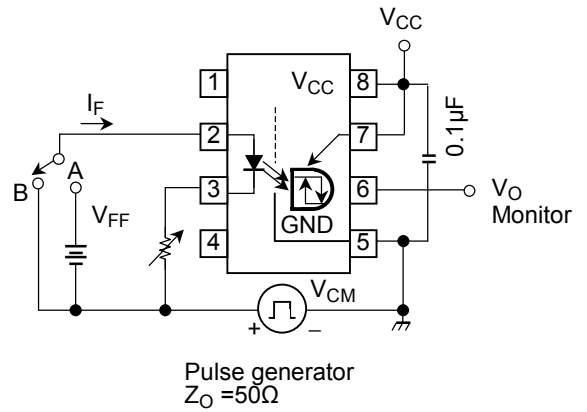
C_L is approximately 15pF which includes probe and stray wiring capacitance.

Test Circuit 3: Common Mode Transient Immunity



* Note 8

$$CM_H = \frac{45(V)}{t_f(\mu s)}, CM_L = \frac{45(V)}{t_f(\mu s)}$$



RESTRICTIONS ON PRODUCT USE

000707EBC

- TOSHIBA is continually working to improve the quality and reliability of its products. Nevertheless, semiconductor devices in general can malfunction or fail due to their inherent electrical sensitivity and vulnerability to physical stress. It is the responsibility of the buyer, when utilizing TOSHIBA products, to comply with the standards of safety in making a safe design for the entire system, and to avoid situations in which a malfunction or failure of such TOSHIBA products could cause loss of human life, bodily injury or damage to property.
In developing your designs, please ensure that TOSHIBA products are used within specified operating ranges as set forth in the most recent TOSHIBA products specifications. Also, please keep in mind the precautions and conditions set forth in the "Handling Guide for Semiconductor Devices," or "TOSHIBA Semiconductor Reliability Handbook" etc..
- The TOSHIBA products listed in this document are intended for usage in general electronics applications (computer, personal equipment, office equipment, measuring equipment, industrial robotics, domestic appliances, etc.). These TOSHIBA products are neither intended nor warranted for usage in equipment that requires extraordinarily high quality and/or reliability or a malfunction or failure of which may cause loss of human life or bodily injury ("Unintended Usage"). Unintended Usage include atomic energy control instruments, airplane or spaceship instruments, transportation instruments, traffic signal instruments, combustion control instruments, medical instruments, all types of safety devices, etc.. Unintended Usage of TOSHIBA products listed in this document shall be made at the customer's own risk.
- Gallium arsenide (GaAs) is a substance used in the products described in this document. GaAs dust and fumes are toxic. Do not break, cut or pulverize the product, or use chemicals to dissolve them. When disposing of the products, follow the appropriate regulations. Do not dispose of the products with other industrial waste or with domestic garbage.
- The products described in this document are subject to the foreign exchange and foreign trade laws.
- The information contained herein is presented only as a guide for the applications of our products. No responsibility is assumed by TOSHIBA CORPORATION for any infringements of intellectual property or other rights of the third parties which may result from its use. No license is granted by implication or otherwise under any intellectual property or other rights of TOSHIBA CORPORATION or others.
- The information contained herein is subject to change without notice.

Copyright Each Manufacturing Company.

All Datasheets cannot be modified without permission.

This datasheet has been download from :

www.AllDataSheet.com

100% Free DataSheet Search Site.

Free Download.

No Register.

Fast Search System.

www.AllDataSheet.com