

(12PIN DIP 3CH)

SOLID STATE RELAY

I/O MODULE

DATA INTERFACE

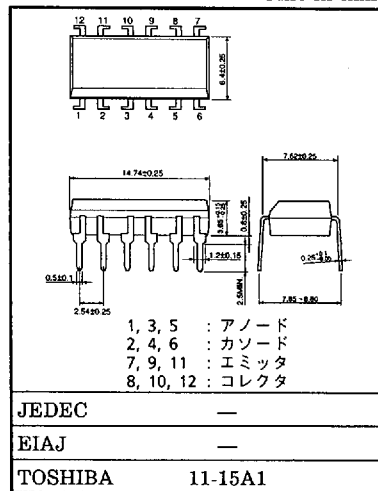
THREE-PHASE MOTOR CONTROL

The TOSHIBA 3 channels type series consist of 3 channels of 4 pin DIP photocouplers in a twelve plastic DIP package.

- All electrical parameters are same as 2 channel of each types.
 (Example) TLP521-3→TLP521-2
- UL Recognized UL File No. E67349
 (Use Type name for safety standard certificate application)

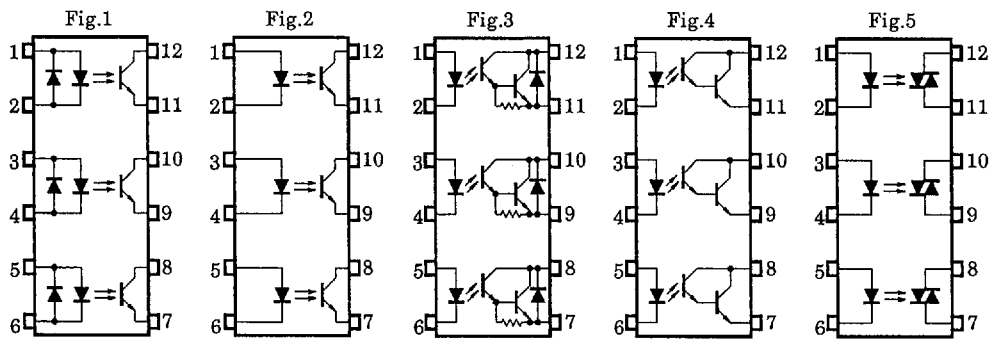
- PIN configuration

Unit in mm



1, 3, 5 : アノード
 2, 4, 6 : カソード
 7, 9, 11 : エミッタ
 8, 10, 12 : コレクタ

Weight : 0.77g



TLP320-3,321-3,521-3
TLP523-3,525G-3,620-3
TLP621-3,624-3,626-3
TLP627-3,628-3,629-3

(12PIN DIP 3CH)

| Type Name | Isolation Voltage | Feature | Pin Configuration |
|-----------|-------------------|------------------------------|-------------------|
| TLP320-3 | 5000V AC / 1 min | AC Input | Fig.1 |
| TLP321-3 | 5000V AC / 1 min | Transistor Output | Fig.2 |
| TLP521-3 | 2500V AC / 1 min | Transistor Output | Fig.2 |
| TLP523-3 | 2500V AC / 1 min | Darlington Output | Fig.3 |
| TLP525G-3 | 2500V AC / 1 min | Triac Output | Fig.5 |
| TLP620-3 | 5000V AC / 1 min | AC Input | Fig.1 |
| TLP621-3 | 5000V AC / 1 min | Transistor Output | Fig.2 |
| TLP622-3 | 5000V AC / 1 min | Darlington Output | Fig.4 |
| TLP624-3 | 5000V AC / 1 min | Low Input Current | Fig.2 |
| TLP626-3 | 5000V AC / 1 min | AC Input & Low Input Current | Fig.1 |
| TLP627-3 | 5000V AC / 1 min | 300V Darlington Output | Fig.3 |
| TLP628-3 | 5000V AC / 1 min | Transistor Output | Fig.2 |
| TLP629-3 | 5000V AC / 1 min | Transistor Output | Fig.2 |

This datasheet has been download from :

www.AllDataSheet.com

100% Free DataSheet Search Site.

Free Download.

No Register.

Fast Search System.

www.AllDataSheet.com