

**RED**

**TOSHIBA T-1 1/4 InGaAlP Ultra Bright LED**

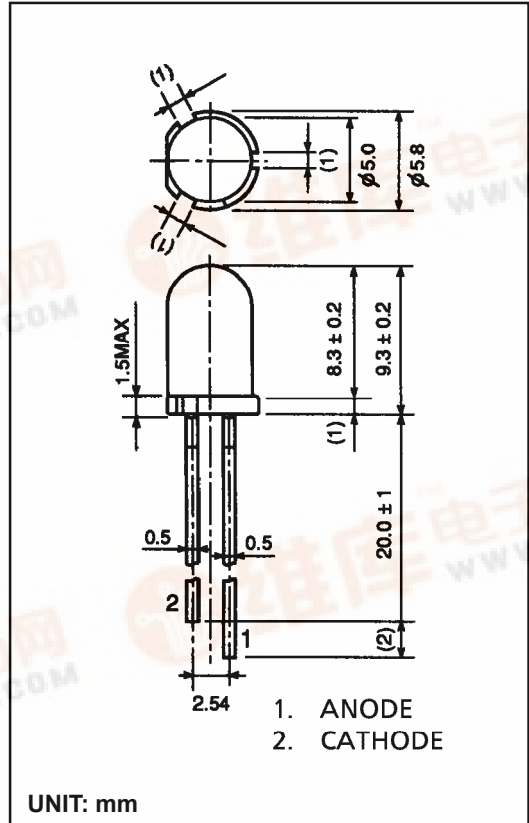
# TLSE157P

## Product Features -

- InGaAlP Technology
- T-1 1/4 (5 mm) Package
- High Intensity Red Light ( $\lambda_p = 623 \text{ nm}$ ) Emission
- Water Clear Lens

### MAXIMUM RATINGS (Ta = 25°C)

CHARACTERISTIC	SYMBOL	RATING	UNIT
Forward Current	$I_F$	50	mA
Reverse Voltage	$V_R$	4	V
Power Dissipation	$P_D$	120	mW
Operating Temperature	$T_{opr}$	-30 ~ 85	°C
Storage Temperature	$T_{stg}$	-40 ~ 120	°C

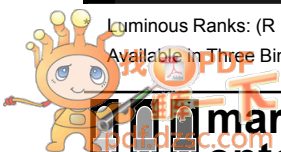


### OPTO-ELECTRICAL CHARACTERISTICS (Ta = 25°C)

CHARACTERISTIC	SYMBOL	TEST CONDITION	MIN.	TYP.	MAX.	UNIT
Forward Voltage	$V_F$	$I_F = 20\text{mA}$	—	1.95	2.4	V
Reverse Current	$I_R$	$V_R = 4\text{V}$	—	—	50	$\mu\text{A}$
Luminous Intensity	$I_v$	$I_F = 20\text{mA}$	475	1400	—	mcd
Viewing Angle	$2\theta_{1/2}$	—	—	22	—	°
Peak Wavelength	$\lambda_p$	$I_F = 20\text{mA}$	—	623	—	nm
Dominant Wavelength	$\lambda_d$	$I_F = 20\text{mA}$	—	613	—	nm
Spectral Line Half Width	$\Delta\lambda$	$I_F = 20\text{mA}$	—	15	—	nm

Luminous Ranks: (R : 560-1120mcd), (S : 1000-2000mcd), (T : 1800-3600mcd) Upper and lower limit tolerance  $\pm 15\%$

Available in Three Bin Combinations: (RS), (ST)



# TOSHIBA T-1 $\frac{3}{4}$ InGaAlP Ultra Bright LED

# RED

## TLSE157P Graphs -

