

YELLOW TOSHIBA T-1 $\frac{3}{4}$ InGaAlP Ultra Bright LED

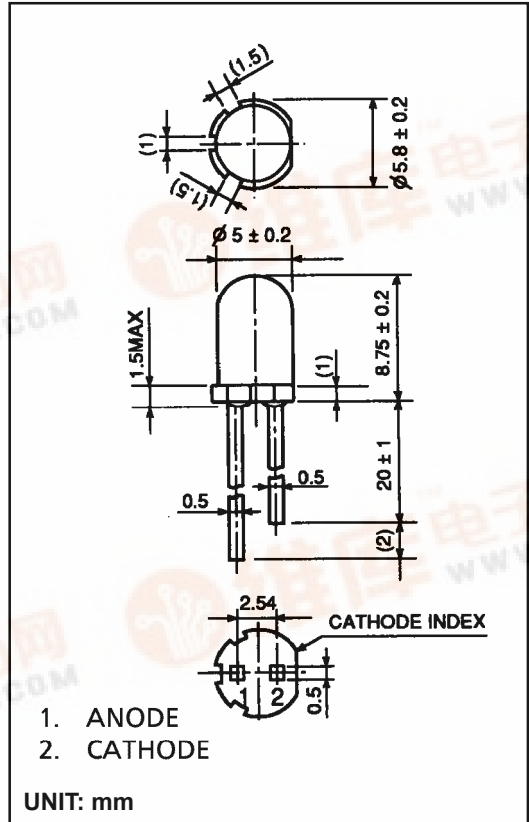
TLYE156AP

Product Features -

- InGaAlP Technology
- T-1 $\frac{3}{4}$ (5 mm) Package
- Yellow Light ($\lambda_p = 590$ nm) Emission
- Water Clear Lens

MAXIMUM RATINGS (Ta = 25°C)

| CHARACTERISTIC | SYMBOL | RATING | UNIT |
|-----------------------|-----------|-----------|------|
| Forward Current | I_F | 50 | mA |
| Reverse Voltage | V_R | 4 | V |
| Power Dissipation | P_D | 125 | mW |
| Operating Temperature | T_{opr} | -30 ~ 85 | °C |
| Storage Temperature | T_{stg} | -40 ~ 120 | °C |



OPTO-ELECTRICAL CHARACTERISTICS (Ta = 25°C)

| CHARACTERISTIC | SYMBOL | TEST CONDITION | MIN. | TYP. | MAX. | UNIT |
|--------------------------|-----------------|----------------|------|------|------|---------|
| Forward Voltage | V_F | $I_F = 20$ mA | — | 2.1 | 2.5 | V |
| Reverse Current | I_R | $V_R = 4$ V | — | — | 50 | μ A |
| Luminous Intensity* | I_v | $I_F = 20$ mA | 270 | 700 | — | mcd |
| Viewing Angle | $2\theta_{1/2}$ | — | — | 28 | — | ° |
| Peak Wavelength | λ_p | $I_F = 20$ mA | — | 590 | — | nm |
| Dominant Wavelength | λ_d | $I_F = 20$ mA | — | 587 | — | nm |
| Spectral Line Half Width | $\Delta\lambda$ | $I_F = 20$ mA | — | 13 | — | nm |

Luminous Ranks: (Q : 320-640mcd) (R : 560-1120mcd), (S : 1000-2000mcd) Upper and lower limit tolerance $\pm 15\%$

Available in One Bin Combination: (QR)



TLYE156AP Graphs -

