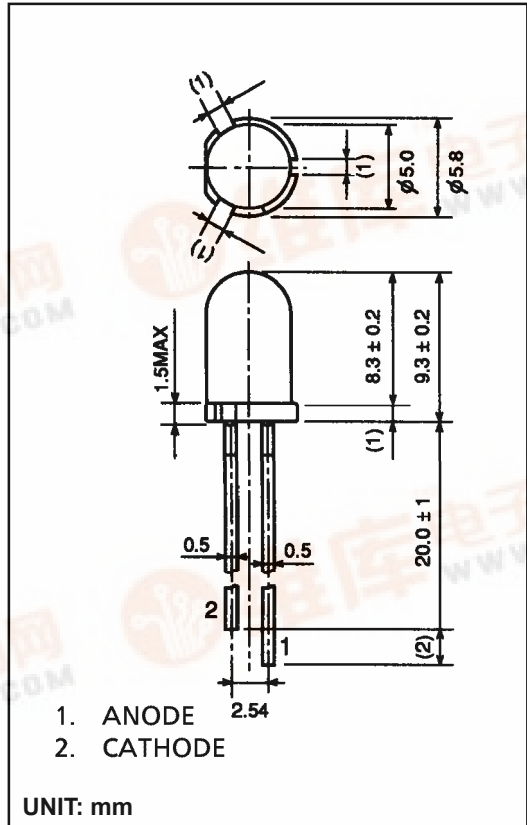


YELLOW TOSHIBA T-1 1/4 InGaAlP Ultra Bright LED

TLYE157AP

Product Features -

- InGaAlP Technology
- T-1 1/4 (5 mm) Package
- High Intensity Yellow Light ($\lambda_p = 590 \text{ nm}$) Emission
- Water Clear Lens
- Narrow Radiation Pattern



MAXIMUM RATINGS (Ta = 25°C)

CHARACTERISTIC	SYMBOL	RATING	UNIT
Forward Current	I_F	50	mA
Reverse Voltage	V_R	4	V
Power Dissipation	P_D	125	mW
Operating Temperature	T_{opr}	-30 ~ 85	°C
Storage Temperature	T_{stg}	-40 ~ 120	°C

OPTO-ELECTRICAL CHARACTERISTICS (Ta = 25°C)

CHARACTERISTIC	SYMBOL	TEST CONDITION	MIN.	TYP.	MAX.	UNIT
Forward Voltage	V_F	IF = 20mA	—	2.1	2.5	V
Reverse Current	I_R	VR = 4V	—	—	50	μA
Luminous Intensity*	I_v	IF = 20mA	475	1400	—	mcd
Viewing Angle	$2\theta_{1/2}$	—	—	22	—	°
Peak Wavelength	λ_p	IF = 20mA	—	590	—	nm
Dominant Wavelength	λ_d	IF = 20mA	—	587	—	nm
Spectral Line Half Width	$\Delta\lambda$	IF = 20mA	—	13	—	nm

Luminous Ranks: (R : 560-1120mcd), (S : 1000-2000mcd), (T : 1800-3600mcd) Upper and lower limit tolerance $\pm 15\%$

Available in Two Bin Combinations: (RS), (ST)



TLYE157AP Graphs -

