

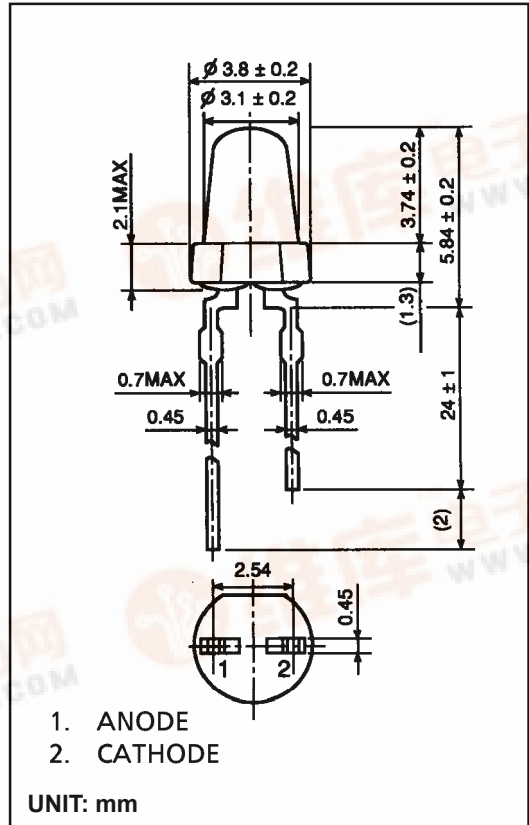
# TLYE160A

## Product Features -

- InGaAlP Technology
- T-1 (3 mm) Package
- Yellow Light ( $\lambda_p = 590$  nm) Emission
- Water Clear Lens
- Narrow Radiation Pattern

### MAXIMUM RATINGS (Ta = 25°C)

| CHARACTERISTIC        | SYMBOL    | RATING    | UNIT |
|-----------------------|-----------|-----------|------|
| Forward Current       | $I_F$     | 50        | mA   |
| Reverse Voltage       | $V_R$     | 4         | V    |
| Power Dissipation     | $P_D$     | 125       | mW   |
| Operating Temperature | $T_{opr}$ | -30 ~ 85  | °C   |
| Storage Temperature   | $T_{stg}$ | -40 ~ 120 | °C   |



### OPTO-ELECTRICAL CHARACTERISTICS (Ta = 25°C)

| CHARACTERISTIC           | SYMBOL          | TEST CONDITION        | MIN. | TYP. | MAX. | UNIT          |
|--------------------------|-----------------|-----------------------|------|------|------|---------------|
| Forward Voltage          | $V_F$           | $I_F = 20 \text{ mA}$ | —    | 2.1  | 2.5  | V             |
| Reverse Current          | $I_R$           | $V_R = 4 \text{ V}$   | —    | —    | 50   | $\mu\text{A}$ |
| Luminous Intensity*      | $I_v$           | $I_F = 20 \text{ mA}$ | 475  | 2000 | —    | mcd           |
| Viewing Angle            | $2\theta_{1/2}$ | —                     | —    | 8    | —    | °             |
| Peak Wavelength          | $\lambda_p$     | $I_F = 20 \text{ mA}$ | —    | 590  | —    | nm            |
| Dominant Wavelength      | $\lambda_d$     | $I_F = 20 \text{ mA}$ | —    | 587  | —    | nm            |
| Spectral Line Half Width | $\Delta\lambda$ | $I_F = 20 \text{ mA}$ | —    | 13   | —    | nm            |

Luminous Ranks: (R : 560-1120mcd), (S : 1000-2000mcd), (T : 1800-3600mcd) Upper and lower limit tolerance  $\pm 15\%$

Available in One Bin Combination: (RS)



## TLYE160A Graphs -

