

# TOP221-227

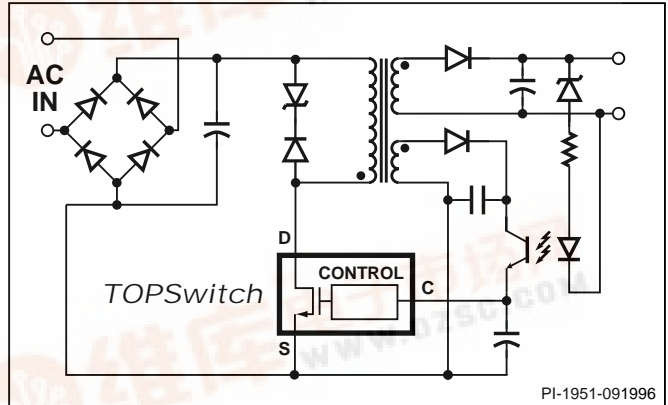
## TOPSwitch-II Family

### Three-terminal Off-line PWM Switch



### Product Highlights

- Lowest cost, lowest component count switcher solution
- Cost competitive with linears above 5W
- Very low AC/DC losses – up to 90% efficiency
- Built-in Auto-restart and Current limiting
- Latching Thermal shutdown for system level protection
- Implements Flyback, Forward, Boost or Buck topology
- Works with primary or opto feedback
- Stable in discontinuous or continuous conduction mode
- Source connected tab for low EMI
- Circuit simplicity and Design Tools reduce time to market



PI-1951-091996

Figure 1. Typical Flyback Application.

### Description

The second generation TOPSwitch-II family is more cost effective and provides several enhancements over the first generation TOPSwitch family. The TOPSwitch-II family extends the power range from 100W to 150W for 100/115/230 VAC input and from 50W to 90W for 85-265 VAC universal input. This brings TOPSwitch technology advantages to many new applications, i.e. TV, Monitor, Audio amplifiers, etc. Many significant circuit enhancements that reduce the sensitivity to board layout and line transients now make the design even

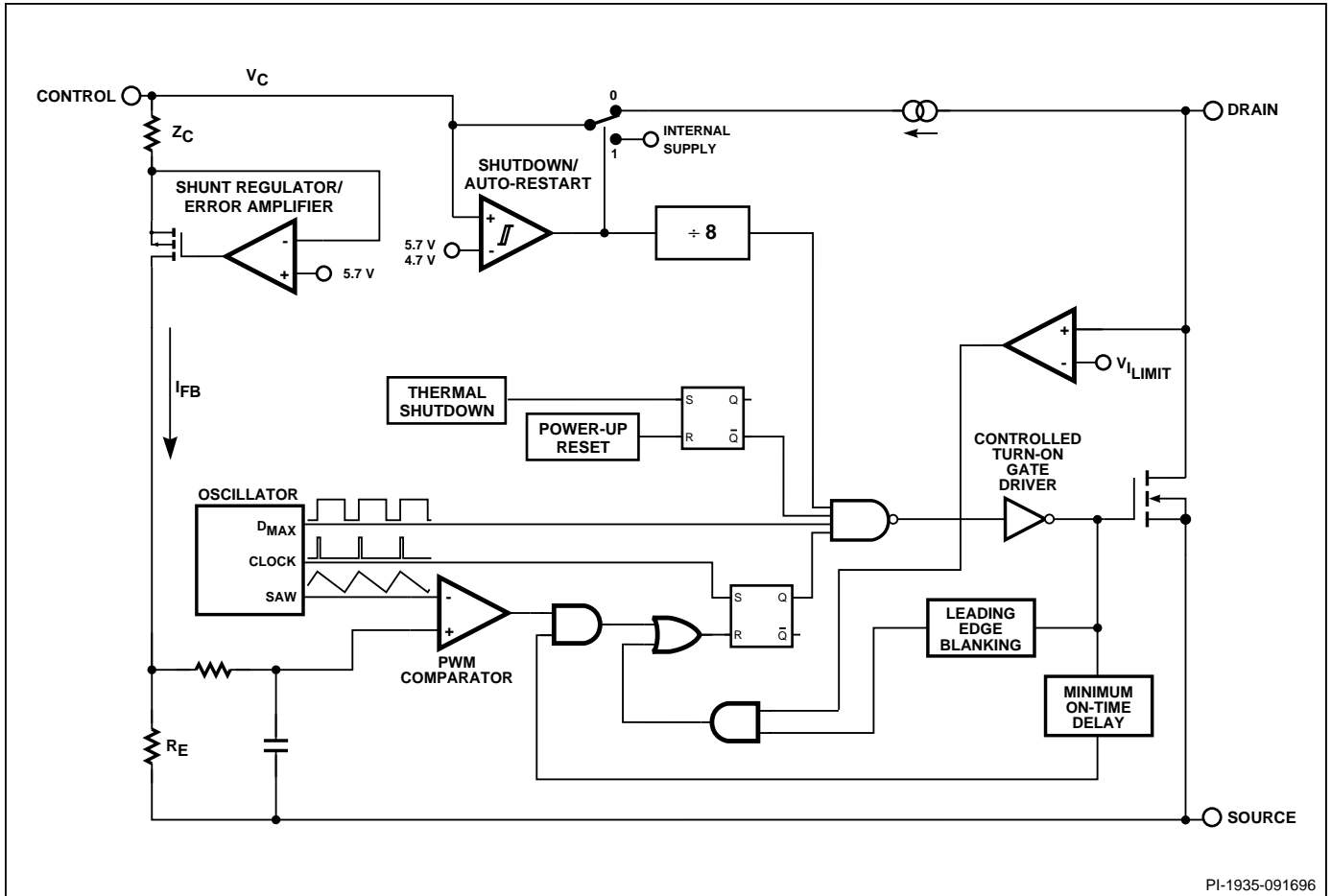
easier. The standard 8L PDIP package option reduces cost in lower power, high efficiency applications. The internal lead frame of this package uses six of its pins to transfer heat from the chip directly to the board, eliminating the cost of a heat sink. TOPSwitch incorporates all functions necessary for a switched mode control system into a three terminal monolithic IC: power MOSFET, PWM controller, high voltage start up circuit, loop compensation and fault protection circuitry.

### OUTPUT POWER TABLE

| TO-220 (Y) Package <sup>1</sup> |   |                                   | 8L PDIP (P) or 8L SMD (G) Package <sup>2</sup> |   |                                   |
|---------------------------------|---|-----------------------------------|--|---|-----------------------------------|
| PART ORDER NUMBER               | Single Voltage Input <sup>3</sup><br>100/115/230 VAC ±15% | Wide Range Input<br>85 to 265 VAC | PART ORDER NUMBER                              | Single Voltage Input <sup>3</sup><br>100/115/230 VAC ±15% | Wide Range Input<br>85 to 265 VAC |
|                                 | P <sub>MAX</sub> <sup>4,6</sup>                           | P <sub>MAX</sub> <sup>4,6</sup>   |  | P <sub>MAX</sub> <sup>5,6</sup>                           | P <sub>MAX</sub> <sup>5,6</sup>   |
| TOP221Y                         | 12 W  | 7 W                               | TOP221P or TOP221G                             | 9 W   | 6 W                               |
| TOP222Y                         | 25 W  | 15 W                              | TOP222P or TOP222G                             | 15 W  | 10 W                              |
| TOP223Y                         | 50 W  | 30 W                              | TOP223P or TOP223G                             | 25 W  | 15 W                              |
| TOP224Y                         | 75 W  | 45 W                              | TOP224P or TOP224G                             | 30 W  | 20 W                              |
| TOP225Y                         | 100 W   | 60 W                              |  |   |                                   |
| TOP226Y                         | 125 W   | 75 W                              |  |   |                                   |
| TOP227Y                         | 150 W   | 90 W                              |  |   |                                   |

Notes: 1. Package outline: Y03A 2. Package Outline: P08A or G08A 3. 100/115 VAC with doubler input 4. Assumes appropriate heat sinking to keep the maximum TOPSwitch junction temperature below 100° C. 5. Soldered to 1 sq. in. (6.45 cm<sup>2</sup>), 2 oz. copper clad (610 gm/m<sup>2</sup>) 6. P<sub>MAX</sub> is the maximum practical continuous power output level for conditions shown. The continuous power capability in a given application depends on thermal environment, transformer design, efficiency required, minimum specified input voltage, input storage capacitance, etc. 7. Refer to key application considerations section when using TOPSwitch-II in an existing TOPSwitch design.





PI-1935-091696

Figure 2. Functional Block Diagram.

## Pin Functional Description

### DRAIN Pin:

Output MOSFET drain connection. Provides internal bias current during start-up operation via an internal switched high-voltage current source. Internal current sense point.

### CONTROL Pin:

Error amplifier and feedback current input pin for duty cycle control. Internal shunt regulator connection to provide internal bias current during normal operation. It is also used as the connection point for the supply bypass and auto-restart/compensation capacitor.

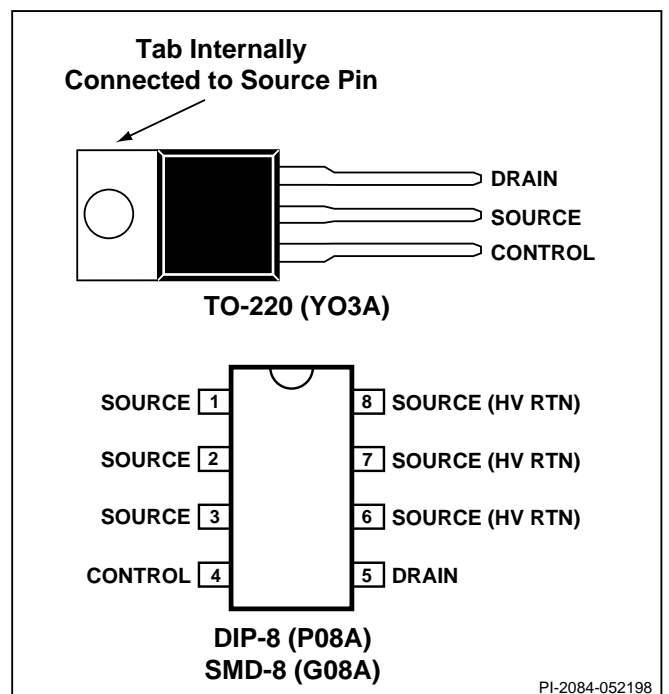
### SOURCE Pin:

Y package – Output MOSFET source connection for high voltage power return. Primary side circuit common and reference point.

P and G package – Primary side control circuit common and reference point.

### SOURCE (HV RTN) Pin: (P and G package only)

Output MOSFET source connection for high voltage power return.



PI-2084-052198

Figure 3. Pin Configuration.

## TOPSwitch Family Functional Description

TOPSwitch is a self biased and protected linear control current-to-duty cycle converter with an open drain output. High efficiency is achieved through the use of CMOS and integration of the maximum number of functions possible. CMOS process significantly reduces bias currents as compared to bipolar or discrete solutions. Integration eliminates external power resistors used for current sensing and/or supplying initial start-up bias current.

During normal operation, the duty cycle of the internal output MOSFET decreases linearly with increasing CONTROL pin current as shown in Figure 4. To implement all the required control, bias, and protection functions, the DRAIN and CONTROL pins each perform several functions as described below. Refer to Figure 2 for a block diagram and to Figure 6 for timing and voltage waveforms of the TOPSwitch integrated circuit.

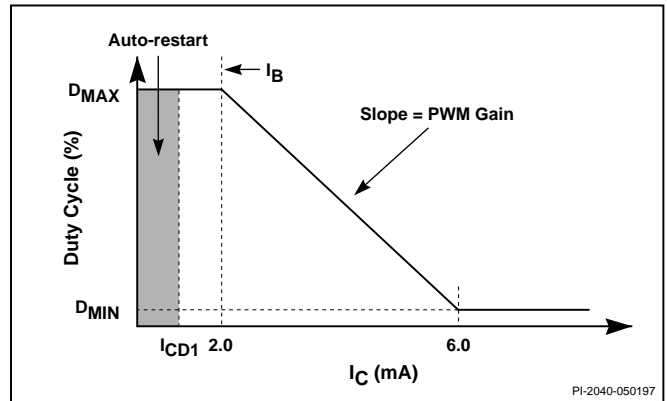


Figure 4. Relationship of Duty Cycle to CONTROL Pin Current.

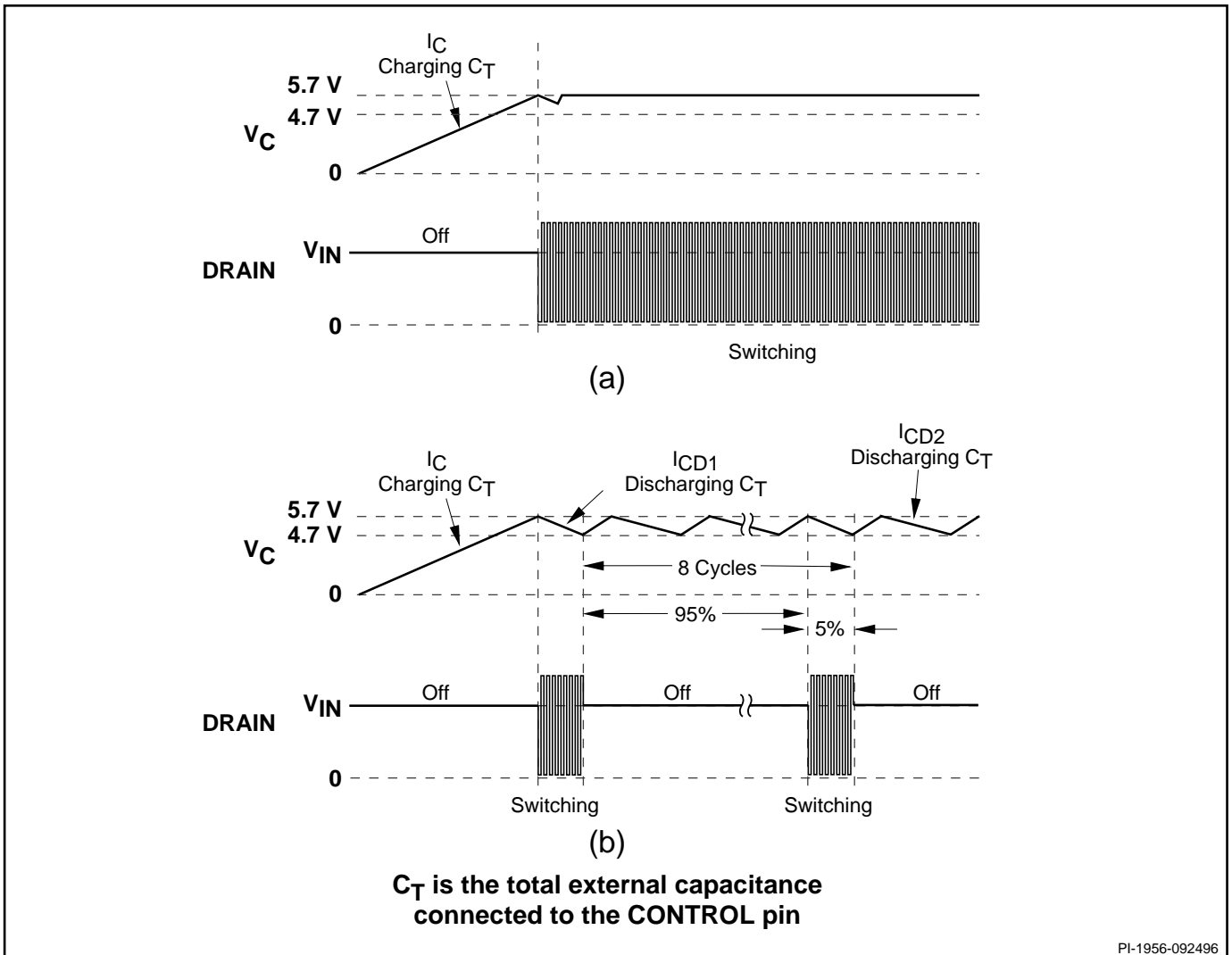


Figure 5. Start-up Waveforms for (a) Normal Operation and (b) Auto-restart.

## TOPSwitch Family Functional Description (cont.)

### Control Voltage Supply

CONTROL pin voltage  $V_C$  is the supply or bias voltage for the controller and driver circuitry. An external bypass capacitor closely connected between the CONTROL and SOURCE pins is required to supply the gate drive current. The total amount of capacitance connected to this pin ( $C_T$ ) also sets the auto-restart timing as well as control loop compensation.  $V_C$  is regulated in either of two modes of operation. Hysteretic regulation is used for initial start-up and overload operation. Shunt regulation is used to separate the duty cycle error signal from the control circuit supply current. During start-up, CONTROL pin current is supplied from a high-voltage switched current source connected internally between the DRAIN and CONTROL pins. The current source provides sufficient current to supply the control circuitry as well as charge the total external capacitance ( $C_T$ ).

The first time  $V_C$  reaches the upper threshold, the high-voltage current source is turned off and the PWM modulator and output transistor are activated, as shown in Figure 5(a). During normal operation (when the output voltage is regulated) feedback control current supplies the  $V_C$  supply current. The shunt regulator keeps  $V_C$  at typically 5.7 V by shunting CONTROL pin feedback current exceeding the required DC supply current through the PWM error signal sense resistor  $R_E$ . The low dynamic impedance of this pin ( $Z_C$ ) sets the gain of the error amplifier when used in a primary feedback configuration. The dynamic impedance of the CONTROL pin together with the external resistance and capacitance determines the control loop compensation of the power system.

If the CONTROL pin external capacitance ( $C_T$ ) should discharge to the lower threshold, then the output MOSFET is turned off and the control circuit is placed in a low-current standby mode. The high-voltage current source turns on and charges the external capacitance again. Charging current is shown with a negative polarity and discharging current is shown with a positive polarity in Figure 6. The hysteretic auto-restart comparator keeps  $V_C$  within a window of typically 4.7 to 5.7 V by turning the high-voltage current source on and off as shown in Figure 5(b). The auto-restart circuit has a divide-by-8 counter which prevents the output MOSFET from turning on again until eight discharge-charge cycles have elapsed. The counter effectively limits TOPSwitch power dissipation by reducing the auto-restart duty cycle to typically 5%. Auto-restart continues to cycle until output voltage regulation is again achieved.

### Bandgap Reference

All critical TOPSwitch internal voltages are derived from a temperature-compensated bandgap reference. This reference is also used to generate a temperature-compensated current source which is trimmed to accurately set the oscillator frequency

and MOSFET gate drive current.

### Oscillator

The internal oscillator linearly charges and discharges the internal capacitance between two voltage levels to create a sawtooth waveform for the pulse width modulator. The oscillator sets the pulse width modulator/current limit latch at the beginning of each cycle. The nominal frequency of 100 kHz was chosen to minimize EMI and maximize efficiency in power supply applications. Trimming of the current reference improves oscillator frequency accuracy.

### Pulse Width Modulator

The pulse width modulator implements a voltage-mode control loop by driving the output MOSFET with a duty cycle inversely proportional to the current into the CONTROL pin which generates a voltage error signal across  $R_E$ . The error signal across  $R_E$  is filtered by an RC network with a typical corner frequency of 7 kHz to reduce the effect of switching noise. The filtered error signal is compared with the internal oscillator sawtooth waveform to generate the duty cycle waveform. As the control current increases, the duty cycle decreases. A clock signal from the oscillator sets a latch which turns on the output MOSFET. The pulse width modulator resets the latch, turning off the output MOSFET. The maximum duty cycle is set by the symmetry of the internal oscillator. The modulator has a minimum ON-time to keep the current consumption of the TOPSwitch independent of the error signal. Note that a minimum current must be driven into the CONTROL pin before the duty cycle begins to change.

### Gate Driver

The gate driver is designed to turn the output MOSFET on at a controlled rate to minimize common-mode EMI. The gate drive current is trimmed for improved accuracy.

### Error Amplifier

The shunt regulator can also perform the function of an error amplifier in primary feedback applications. The shunt regulator voltage is accurately derived from the temperature compensated bandgap reference. The gain of the error amplifier is set by the CONTROL pin dynamic impedance. The CONTROL pin clamps external circuit signals to the  $V_C$  voltage level. The CONTROL pin current in excess of the supply current is separated by the shunt regulator and flows through  $R_E$  as a voltage error signal.

### Cycle-By-Cycle Current Limit

The cycle by cycle peak drain current limit circuit uses the output MOSFET ON-resistance as a sense resistor. A current limit comparator compares the output MOSFET ON-state drain-source voltage,  $V_{DS(ON)}$  with a threshold voltage. High drain current causes  $V_{DS(ON)}$  to exceed the threshold voltage and turns

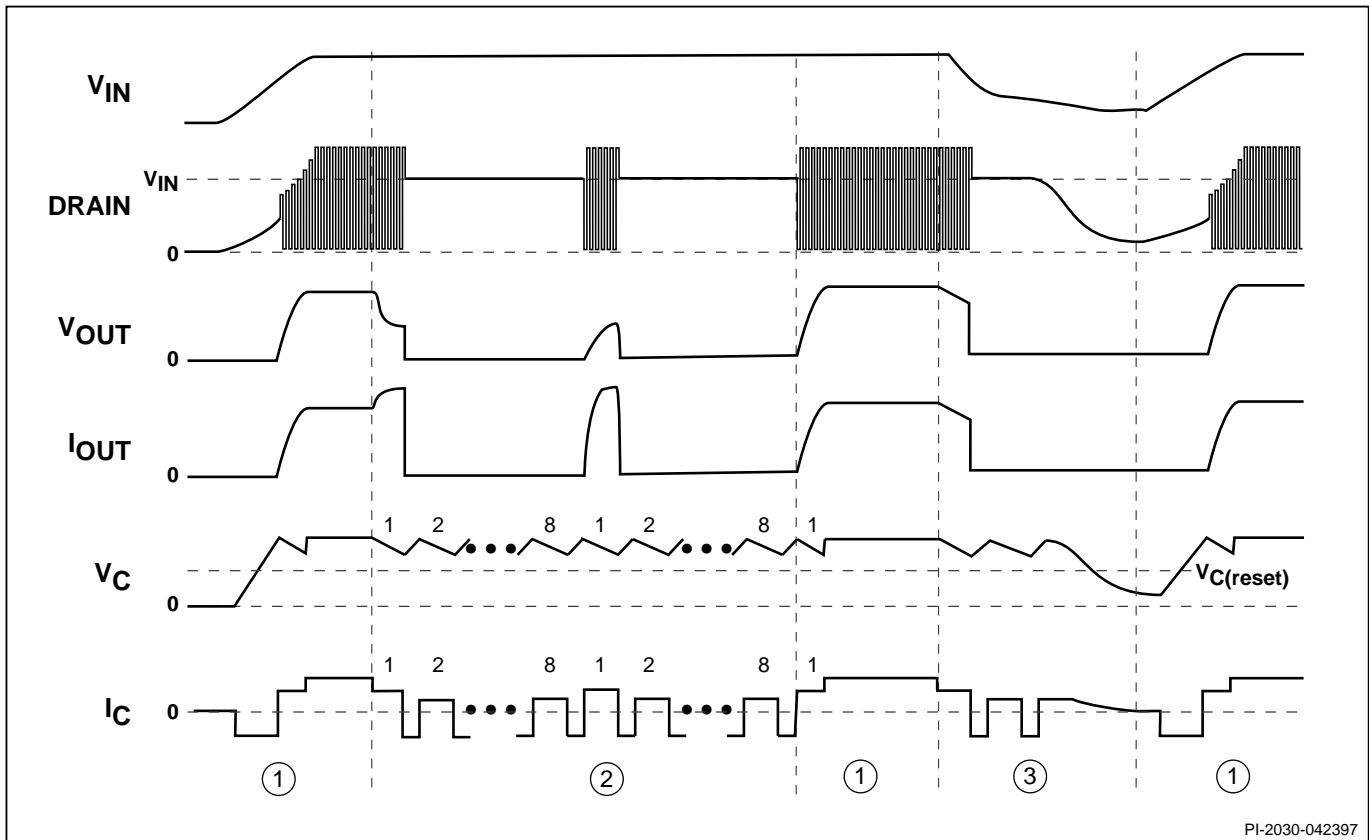


Figure 6. Typical Waveforms for (1) Normal Operation, (2) Auto-restart, and (3) Power Down Reset.

the output MOSFET off until the start of the next clock cycle. The current limit comparator threshold voltage is temperature compensated to minimize variation of the effective peak current limit due to temperature related changes in output MOSFET  $R_{DS(ON)}$ .

The leading edge blanking circuit inhibits the current limit comparator for a short time after the output MOSFET is turned on. The leading edge blanking time has been set so that current spikes caused by primary-side capacitances and secondary-side rectifier reverse recovery time will not cause premature termination of the switching pulse.

The current limit can be lower for a short period after the leading edge blanking time as shown in Figure 12. This is due to dynamic characteristics of the MOSFET. To avoid triggering the current limit in normal operation, the drain current waveform should stay within the envelope shown.

#### Shutdown/Auto-restart

To minimize *TOPSwitch* power dissipation, the shutdown/auto-restart circuit turns the power supply on and off at an auto-restart duty cycle of typically 5% if an out of regulation condition persists. Loss of regulation interrupts the external current into the CONTROL pin.  $V_C$  regulation changes from shunt mode to the hysteretic auto-restart mode described above.

When the fault condition is removed, the power supply output becomes regulated,  $V_C$  regulation returns to shunt mode, and normal operation of the power supply resumes.

#### Overtemperature Protection

Temperature protection is provided by a precision analog protection circuit that turns the output MOSFET off when the junction temperature exceeds the thermal shutdown temperature (typically 135 °C). Activating the power-up reset circuit by removing and restoring input power or momentarily pulling the CONTROL pin below the power-up reset threshold resets the latch and allows *TOPSwitch* to resume normal power supply operation.  $V_C$  is regulated in hysteretic mode and a 4.7 V to 5.7 V (typical) sawtooth waveform is present on the CONTROL pin when the power supply is latched off.

#### High-voltage Bias Current Source

This current source biases *TOPSwitch* from the DRAIN pin and charges the CONTROL pin external capacitance ( $C_T$ ) during start-up or hysteretic operation. Hysteretic operation occurs during auto-restart and overtemperature latched shutdown. The current source is switched on and off with an effective duty cycle of approximately 35%. This duty cycle is determined by the ratio of CONTROL pin charge ( $I_C$ ) and discharge currents ( $I_{CD1}$  and  $I_{CD2}$ ). This current source is turned off during normal operation when the output MOSFET is switching.

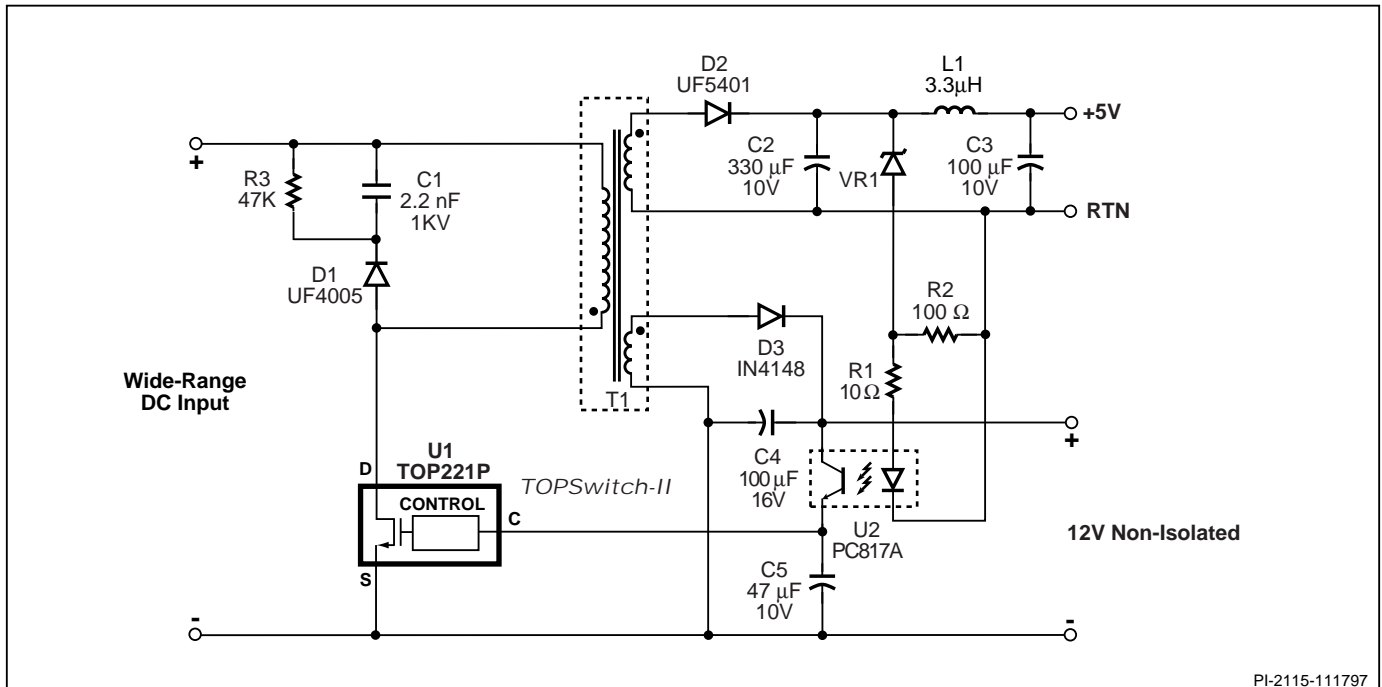


Figure 7. Schematic Diagram of a 4W TOPSwitch-II Stand-by Power Supply using an 8 lead PDIP.

## Application Examples

Following are just two of the many possible TOPSwitch implementations. Refer to the Data Book and Design Guide for additional examples.

### 4W Stand-by Supply using 8 Lead PDIP

Figure 7 shows a 4W stand-by supply. This supply is used in appliances where certain stand-by functions (e.g. real time clock, remote control port) must be kept active even while the main power supply is turned off.

The 5V secondary is used to supply the stand-by function and the 12V non-isolated output is used to supply power for the PWM controller of the main power supply and other primary side functions.

For this application the input rectifiers and input filter are sized for the main supply and are not shown. The input DC rail may

vary from 100V to 380V DC which corresponds to the full universal AC input range. The TOP221 is packaged in a 8 pin power dip package.

The output voltage (5V) is directly sensed by the zener diode (VR1) and the optocoupler (U2). The output voltage is determined by the sum of the zener voltage and the voltage drop across the LED of the optocoupler (the voltage drop across R1 is negligible). The output transistor of the optocoupler drives the CONTROL pin of the TOP221. C5 bypasses the CONTROL pin and provides control loop compensation and sets the auto-restart frequency.

The transformer's leakage inductance voltage spikes are snubbed by R3 and C1 through diode D1. The bias winding is rectified and filtered by D3 and C4 providing a non-isolated 12V output which is also used to bias the collector of the optocoupler's output transistor. The isolated 5V output winding is rectified by D2 and filtered by C2, L1 and C3.

PI-2115-111797



## Key Application Considerations

### General Guidelines

- Keep the SOURCE pin length very short. Use a Kelvin connection to the SOURCE pin for the CONTROL pin bypass capacitor. Use single point grounding techniques at the SOURCE pin as shown in Figure 9.
- Minimize peak voltage and ringing on the DRAIN voltage at turn-off. Use a Zener or TVS Zener diode to clamp the DRAIN voltage below the breakdown voltage rating of *TOPSwitch* under all conditions, including start-up and overload. The maximum recommended clamp Zener voltage for the TOP2XX series is 200V and the corresponding maximum reflected output voltage on the primary is 135V. Please see Step 4: AN-16 in the Data Book and Design Guide.
- The transformer should be designed such that the rate of change of drain current due to transformer saturation is within the absolute maximum specification ( $\Delta I_D$  in 100ns before turn off as shown in Figure 13). As a guideline, for most common transformer cores, this can be achieved by maintaining the Peak Flux Density (at maximum  $I_{limit}$  current) below 4200 Gauss (420mT). The transformer spreadsheets Rev. 2.1 (or later) for continuous and Rev. 1.0 (or later) for discontinuous conduction mode provide the necessary information.
- Do not plug *TOPSwitch* into a “hot” IC socket during test. External CONTROL pin capacitance may be charged to excessive voltage and cause *TOPSwitch* damage.
- While performing *TOPSwitch* device tests, do not exceed maximum CONTROL pin voltage of 9 V or maximum CONTROL pin current of 100 mA.
- Under some conditions, externally provided bias or supply current driven into the CONTROL pin can hold the *TOPSwitch* in one of the 8 auto-restart cycles indefinitely and prevent starting. To avoid this problem when doing bench evaluations, it is recommended that the  $V_C$  power supply be turned on before the DRAIN voltage is applied. *TOPSwitch* can also be reset by shorting the CONTROL pin to the SOURCE pin momentarily.
- CONTROL pin currents during auto-restart operation are much lower at low input voltages ( $< 36$  V) which increases the auto-restart cycle time (see the  $I_C$  vs. DRAIN Voltage Characteristic curve).
- Short interruptions of AC power may cause *TOPSwitch* to enter the 8-count auto-restart cycle before starting again. This is because the input energy storage capacitors are not completely discharged and the CONTROL pin capacitance has not discharged below the internal power-up reset voltage.
- In some cases, minimum loading may be necessary to keep a lightly loaded or unloaded output voltage within the desired range due to the minimum ON-time.

### Replacing *TOPSwitch* with *TOPSwitch-II*

There is no external latching shutdown function in *TOPSwitch-II*. Otherwise, the functionality of the *TOPSwitch-II* devices is same as that of the *TOPSwitch* family. However, **before considering *TOPSwitch-II* as a 'drop in' replacement in an existing *TOPSwitch* design, the design should be verified as described below.**

The new *TOPSwitch-II* family offers more power capability than the original *TOPSwitch* family for the same MOSFET  $R_{DS(ON)}$ . Therefore, the original *TOPSwitch* design must be reviewed to make sure that the selected *TOPSwitch-II* replacement device and other primary components are not overstressed under abnormal conditions.

The following verification steps are recommended:

- Check the transformer design to make sure that it meets the  $\Delta I_D$  specification as outlined in the General Guidelines section above.
- Thermal: Higher power capability of the *TOPSwitch-II* would in many instances allow use of a smaller MOSFET device (higher  $R_{DS(ON)}$ ) for reduced cost. This may affect *TOPSwitch* power dissipation and power supply efficiency. Therefore thermal performance of the power supply must be verified with the selected *TOPSwitch-II* device.
- Clamp Voltage: Reflected and Clamp voltages should be verified not to exceed recommended maximums for the TOP2XX Series: 135V Reflected/200V Clamp. Please see Step 4: AN-16 in the Data Book and Design Guide and readme.txt file attached to the transformer design spreadsheets.
- Agency Approval: Migrating to *TOPSwitch-II* may require agency re-approval.



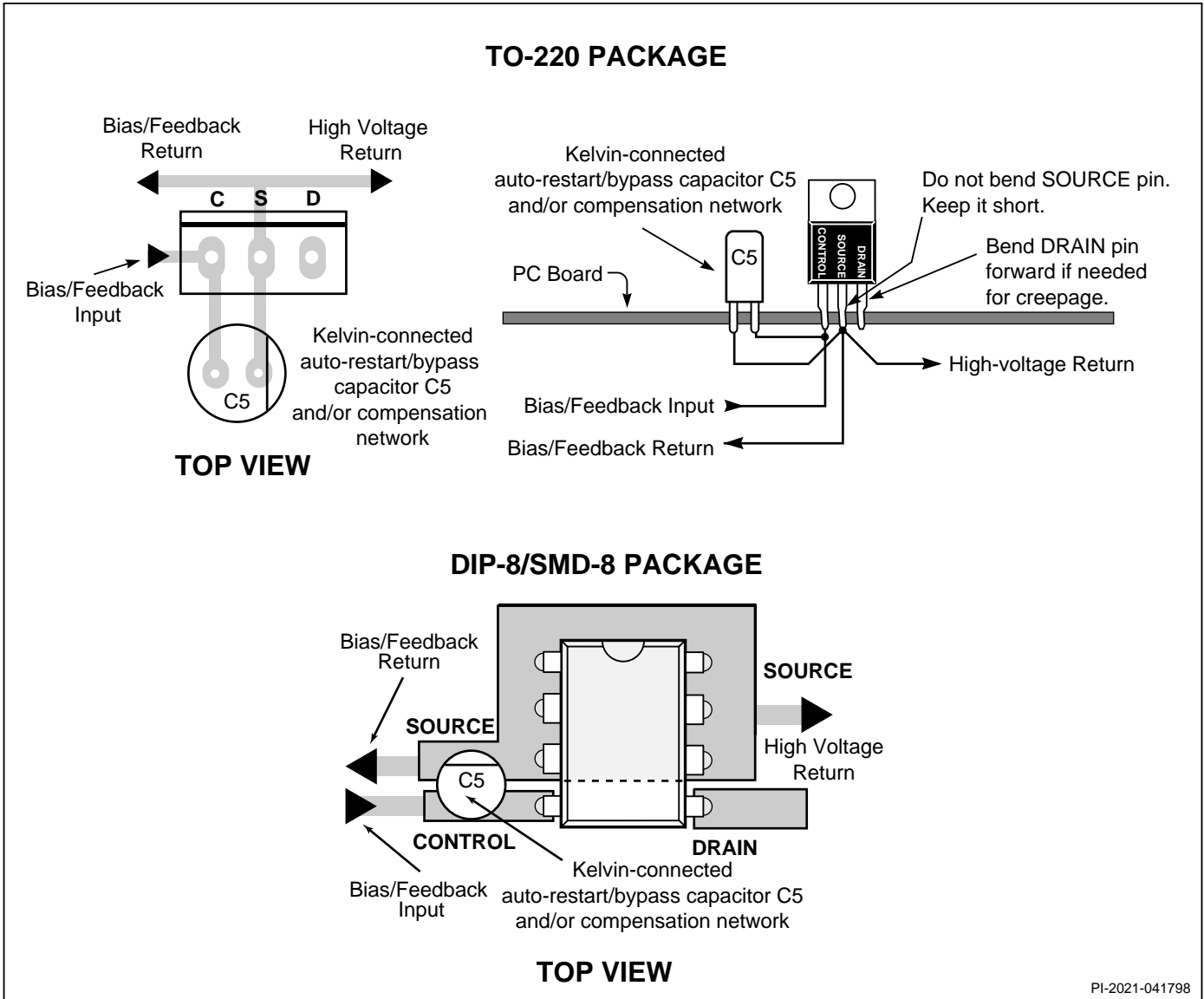


Figure 9. Recommended TOPSwitch Layout.

## Design Tools

The following tools available from Power Integrations greatly simplify TOPSwitch based power supply design.

- Data Book and Design Guide includes extensive application information
- Excel Spreadsheets for Transformer Design - **Use of this tool is strongly recommended for all TOPSwitch designs.**
- Reference design boards – Production viable designs that are assembled and tested.

All data sheets, application literature and up-to-date versions of the Transformer Design Spreadsheets can be down loaded from our web site at [www.powerint.com](http://www.powerint.com). A diskette of the Transformer Design Spreadsheets may also be obtained by sending in the completed form provided at the end of this data sheet.

**ABSOLUTE MAXIMUM RATINGS<sup>1</sup>**

|   |                                   |   |   |
|---|-----------------------------------|---|---|
| DRAIN Voltage .....   | -0.3 to 700 V                     | Operating Junction Temperature <sup>(3)</sup> .....                 | -40 to 150 °C                                   |
| DRAIN Current Increase ( $\Delta I_D$ ) in 100 ns except during blanking time ..... | $0.1 \times I_{LIMIT(MAX)}^{(2)}$ | Lead Temperature <sup>(4)</sup> .....                               | 260 °C  |
| CONTROL Voltage .....   | -0.3 V to 9 V                     | Thermal Impedance: Y Package ( $\theta_{JA}$ ) <sup>(5)</sup> ..... | 70 °C/W   |
| CONTROL Current .....   | 100 mA                            | ( $\theta_{JC}$ ) <sup>(6)</sup> .....                              | 2 °C/W  |
| Storage Temperature .....   | -65 to 125 °C                     | P/G Package:  |   |
|   |                                   | ( $\theta_{JA}$ ) .....   | 45 °C/W <sup>(7)</sup> ; 35 °C/W <sup>(8)</sup> |
|   |                                   | ( $\theta_{JC}$ ) <sup>(6)</sup> .....                              | 5 °C/W  |

**Notes:**

1. All voltages referenced to SOURCE,  $T_A = 25\text{ °C}$ .
2. Related to transformer saturation – see Figure 13.
3. Normally limited by internal circuitry.
4. 1/16" from case for 5 seconds.
5. Free standing with no heatsink.
6. Measured at tab closest to plastic interface or source pin.
7. Soldered to 0.36 sq. inch (232 mm<sup>2</sup>), 2 oz. (610 gm/m<sup>2</sup>) copper clad.
8. Soldered to 1 sq. inch (645 mm<sup>2</sup>), 2 oz. (610 gm/m<sup>2</sup>) copper clad.

| Parameter                           | Symbol    | Conditions<br>(Unless Otherwise Specified)<br>See Figure 14<br>SOURCE = 0 V; $T_j = -40$ to 125 °C | Min                | Typ   | Max  | Units    |    |
|-------------------------------------|-----------|--|--------------------|-------|------|----------|----|
| <b>CONTROL FUNCTIONS</b>            |           |  |                    |       |      |          |    |
| Output Frequency                    | $f_{OSC}$ | $I_C = 4\text{ mA}$ , $T_j = 25\text{ °C}$   | 90                 | 100   | 110  | kHz      |    |
| Maximum Duty Cycle                  | $D_{MAX}$ | $I_C = I_{CD1} + 0.4\text{ mA}$ , See Figure 10  | 64                 | 67    | 70   | %        |    |
| Minimum Duty Cycle                  | $D_{MIN}$ | $I_C = 10\text{ mA}$ , See Figure 10   | 0.7                | 1.7   | 2.7  | %        |    |
| PWM Gain                            |           | $I_C = 4\text{ mA}$ , $T_j = 25\text{ °C}$<br>See Figure 4   | -21                | -16   | -11  | %/mA     |    |
| PWM Gain Temperature Drift          |           | See Note A   |                    | -0.05 |      | %/mA/°C  |    |
| External Bias Current               | $I_B$     | See Figure 4   | 0.8                | 2.0   | 3.3  | mA       |    |
| Dynamic Impedance                   | $Z_C$     | $I_C = 4\text{ mA}$ , $T_j = 25\text{ °C}$<br>See Figure 11  | 10                 | 15    | 22   | $\Omega$ |    |
| Dynamic Impedance Temperature Drift |           |  |                    | 0.18  |      | %/°C     |    |
| <b>SHUTDOWN/AUTO-RESTART</b>        |           |  |                    |       |      |          |    |
| CONTROL Pin Charging Current        | $I_C$     | $T_j = 25\text{ °C}$   | $V_C = 0\text{ V}$ | -2.4  | -1.9 | -1.2     | mA |
|                                     |           |  | $V_C = 5\text{ V}$ | -2    | -1.5 | -0.8     |    |
| Charging Current Temperature Drift  |           | See Note A   |                    | 0.4   |      | %/°C     |    |



| Parameter                                   | Symbol             | Conditions<br>(Unless Otherwise Specified)<br>See Figure 14<br>SOURCE = 0 V; T <sub>j</sub> = -40 to 125°C |                                    | Min    | Typ  | Max  | Units |
|---|--------------------|--|------------------------------------|--------|------|------|-------|
| <b>SHUTDOWN/AUTO-RESTART (cont.)</b>        |                    |  |                                    |        |      |      |       |
| Auto-restart Threshold Voltage              | V <sub>C(AR)</sub> | S1 open  |                                    |        | 5.7  |      | V     |
| UV Lockout Threshold Voltage                |                    | S1 open  |                                    | 4.4    | 4.7  | 5.0  | V     |
| Auto-restart Hysteresis Voltage             |                    | S1 open  |                                    | 0.6    | 1.0  |      | V     |
| Auto-restart Duty Cycle                     |                    | S1 open  | TOP221-222                         | 2      | 5    | 9    | %     |
|   |                    |  | TOP223-227                         | 2      | 5    | 8    |       |
| Auto-restart Frequency                      |                    | S1 open  |                                    |        | 1.2  |      | Hz    |
| <b>CIRCUIT PROTECTION</b>                   |                    |  |                                    |        |      |      |       |
| Self-protection Current Limit               | I <sub>LIMIT</sub> | di/dt = 40 mA/μs,<br>T <sub>j</sub> = 25°C   | TOP221Y                            | 0.23   | 0.25 | 0.28 | A     |
|   |                    |  | TOP221P                            |        |      |      |       |
|   |                    | di/dt = 80 mA/μs,<br>T <sub>j</sub> = 25°C   | TOP222Y                            | 0.45   | 0.50 | 0.55 |       |
|   |                    |  | TOP222P                            |        |      |      |       |
|   |                    | di/dt = 160 mA/μs,<br>T <sub>j</sub> = 25°C  | TOP223Y                            | 0.90   | 1.00 | 1.10 |       |
|   |                    |  | TOP223P                            |        |      |      |       |
|   |                    | di/dt = 240 mA/μs,<br>T <sub>j</sub> = 25°C  | TOP224Y                            | 1.35   | 1.50 | 1.65 |       |
|   |                    |  | TOP224P                            |        |      |      |       |
| di/dt = 320 mA/μs,<br>T <sub>j</sub> = 25°C | TOP225Y            | 1.80   | 2.00                               | 2.20   |      |      |       |
|   |                    |  |                                    |        |      |      |       |
| di/dt = 400 mA/μs,<br>T <sub>j</sub> = 25°C | TOP226Y            | 2.25   | 2.50                               | 2.75   |      |      |       |
|   |                    |  |                                    |        |      |      |       |
| di/dt = 480 mA/μs,<br>T <sub>j</sub> = 25°C | TOP227Y            | 2.70   | 3.00                               | 3.30   |      |      |       |
|   |                    |  |                                    |        |      |      |       |
| Initial Current Limit                       | I <sub>INIT</sub>  | See Figure 12<br>T <sub>j</sub> = 25°C   | ≤ 85 VAC<br>(Rectified Line Input) | 0.75 x |      |      | A     |
|   |                    |  | 265 VAC<br>(Rectified Line Input)  | 0.6 x  |      |      |       |
| Leading Edge Blanking Time                  | t <sub>LEB</sub>   | I <sub>c</sub> = 4 mA,<br>T <sub>j</sub> = 25°C  |                                    |        | 180  |      | ns    |

# TOP221-227

| Parameter                         | Symbol         | Conditions<br>(Unless Otherwise Specified)<br>See Figure 14<br>SOURCE = 0 V; $T_j = -40$ to $125$ °C | Min            | Typ | Max  | Units   |          |
|-----------------------------------|----------------|--|----------------|-----|------|---------|----------|
| <b>CIRCUIT PROTECTION (cont.)</b> |                |  |                |     |      |         |          |
| Current Limit Delay               | $t_{ILD}$      | $I_C = 4$ mA   |                | 100 |      | ns      |          |
| Thermal Shutdown Temperature      |                | $I_C = 4$ mA   | 125            | 135 |      | °C      |          |
| Power-up Reset Threshold Voltage  | $V_{C(RESET)}$ | S2 open  | 2.0            | 3.3 | 4.3  | V       |          |
| <b>OUTPUT</b>                     |                |  |                |     |      |         |          |
| ON-State Resistance               | $R_{DS(ON)}$   | TOP221<br>$I_D = 25$ mA  | $T_j = 25$ °C  |     | 31.2 | 36.0    | $\Omega$ |
|                                   |                |  | $T_j = 100$ °C |     | 51.4 | 60.0    |          |
|                                   |                | TOP222<br>$I_D = 50$ mA  | $T_j = 25$ °C  |     | 15.6 | 18.0    |          |
|                                   |                |  | $T_j = 100$ °C |     | 25.7 | 30.0    |          |
|                                   |                | TOP223<br>$I_D = 100$ mA   | $T_j = 25$ °C  |     | 7.8  | 9.0     |          |
|                                   |                |  | $T_j = 100$ °C |     | 12.9 | 15.0    |          |
|                                   |                | TOP224<br>$I_D = 150$ mA   | $T_j = 25$ °C  |     | 5.2  | 6.0     |          |
|                                   |                |  | $T_j = 100$ °C |     | 8.6  | 10.0    |          |
|                                   |                | TOP225<br>$I_D = 200$ mA   | $T_j = 25$ °C  |     | 3.9  | 4.5     |          |
|                                   |                |  | $T_j = 100$ °C |     | 6.4  | 7.5     |          |
|                                   |                | TOP226<br>$I_D = 250$ mA   | $T_j = 25$ °C  |     | 3.1  | 3.6     |          |
|                                   |                |  | $T_j = 100$ °C |     | 5.2  | 6.0     |          |
|                                   |                | TOP227<br>$I_D = 300$ mA   | $T_j = 25$ °C  |     | 2.6  | 3.0     |          |
|                                   |                |  | $T_j = 100$ °C |     | 4.3  | 5.0     |          |
| OFF-State Current                 | $I_{DSS}$      | See Note B<br>$V_{DS} = 560$ V, $T_A = 125$ °C   |                |     | 250  | $\mu$ A |          |
| Breakdown Voltage                 | $BV_{DSS}$     | See Note B<br>$I_D = 100$ $\mu$ A, $T_A = 25$ °C   | 700            |     |      | V       |          |
| Rise Time                         | $t_r$          | Measured in a Typical Flyback Converter Application.   |                | 100 |      | ns      |          |
| Fall Time                         | $t_f$          |  |                | 50  |      | ns      |          |



| Parameter                         | Symbol                | Conditions  |            | Min | Typ | Max | Units  |
|-----------------------------------|-----------------------|---|------------|-----|-----|-----|--------|
|                                   |                       | (Unless Otherwise Specified)<br>See Figure 14<br>SOURCE = 0 V; T <sub>j</sub> = -40 to 125 °C |            |     |     |     |        |
| <b>OUTPUT (cont.)</b>             |                       |   |            |     |     |     |        |
| DRAIN Supply Voltage              |                       | See Note C  |            | 36  |     |     | V      |
| Shunt Regulator Voltage           | V <sub>C(SHUNT)</sub> | I <sub>c</sub> = 4 mA   |            | 5.5 | 5.7 | 6.0 | V      |
| Shunt Regulator Temperature Drift |                       |   |            |     | ±50 |     | ppm/°C |
| CONTROL Supply/Discharge Current  | I <sub>CD1</sub>      | Output  | TOP221-224 | 0.6 | 1.2 | 1.6 | mA     |
|                                   |                       | MOSFET Enabled  | TOP225-227 | 0.7 | 1.4 | 1.8 |        |
|                                   | I <sub>CD2</sub>      | Output MOSFET Disabled  |            | 0.5 | 0.8 | 1.1 |        |

**NOTES:**

- A. For specifications with negative values, a negative temperature coefficient corresponds to an increase in magnitude with increasing temperature, and a positive temperature coefficient corresponds to a decrease in magnitude with increasing temperature.
- B. The breakdown voltage and leakage current measurements can be accomplished as shown in Figure 15 by using the following sequence:
  - i. The curve tracer should initially be set at 0 V. The base output should be adjusted through a voltage sequence of 0 V, 6.5 V, 4.3 V, and 6.5 V, as shown. The base current from the curve tracer should not exceed 100 mA. This CONTROL pin sequence interrupts the Auto-restart sequence and locks the *TOPSwitch* internal MOSFET in the OFF State.
  - ii. The breakdown and the leakage measurements can now be taken with the curve tracer. The maximum voltage from the curve tracer must be limited to 700 V under all conditions.
- C. It is possible to start up and operate *TOPSwitch* at DRAIN voltages well below 36 V. However, the CONTROL pin charging current is reduced, which affects start-up time, auto-restart frequency, and auto-restart duty cycle. Refer to the characteristic graph on CONTROL pin charge current (I<sub>c</sub>) vs. DRAIN voltage for low voltage operation characteristics.

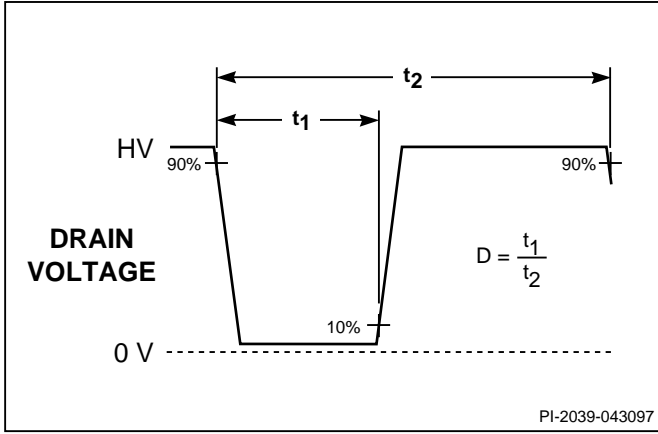


Figure 10. TOPSwitch Duty Cycle Measurement.

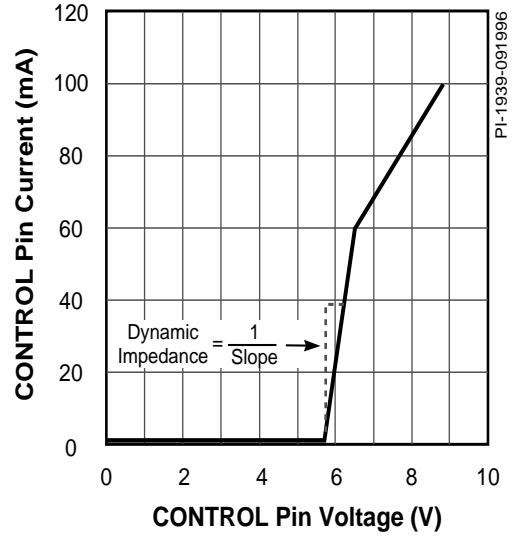


Figure 11. TOPSwitch CONTROL Pin I-V Characteristic.

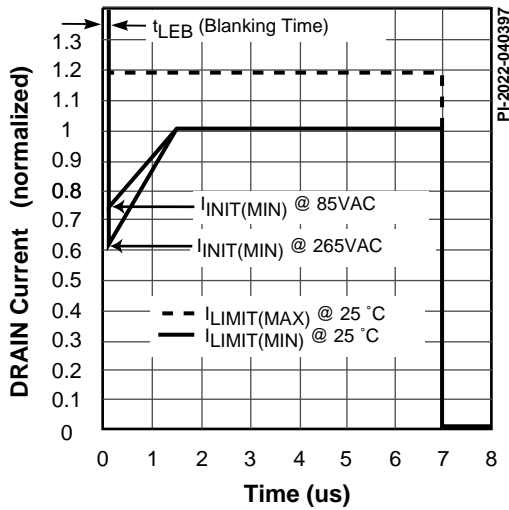


Figure 12. Self-protection Current Limit Envelope.

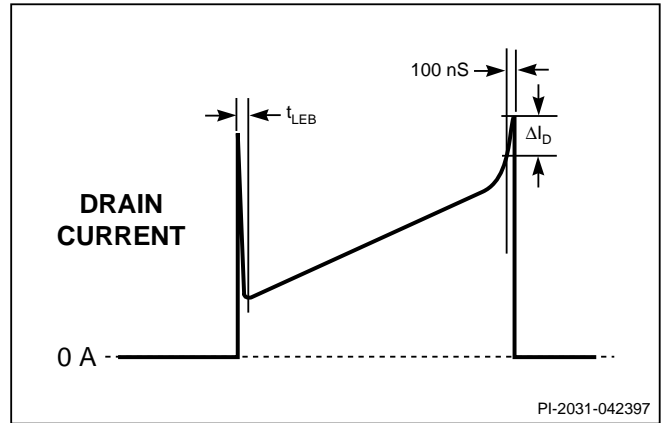


Figure 13. Example of  $\Delta I_D$  on Drain Current Waveform with Saturated Transformer.

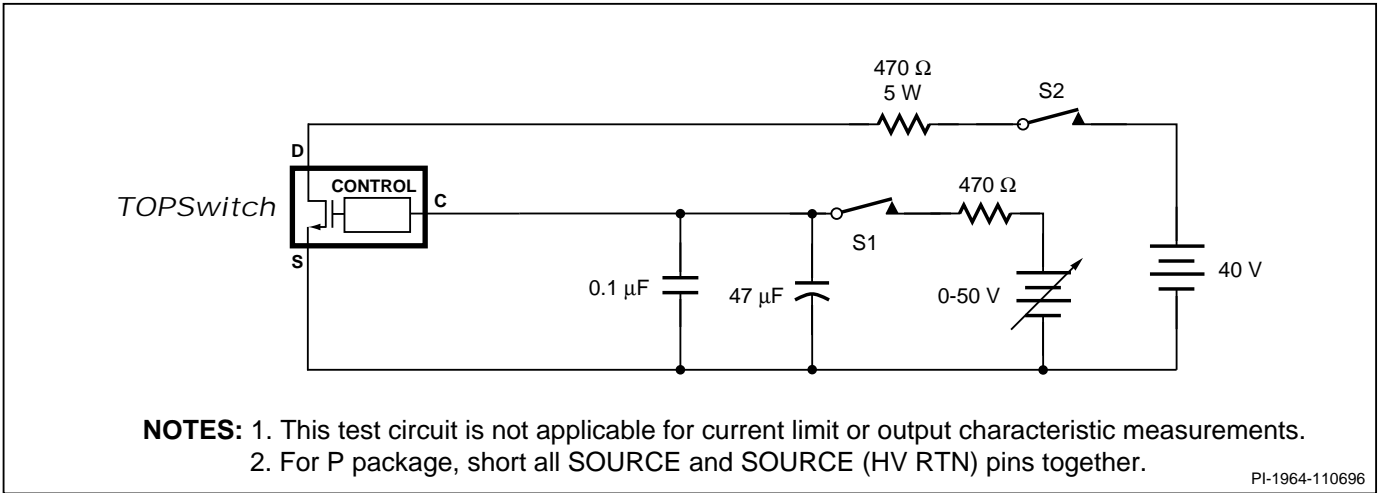


Figure 14. TOPSwitch General Test Circuit.

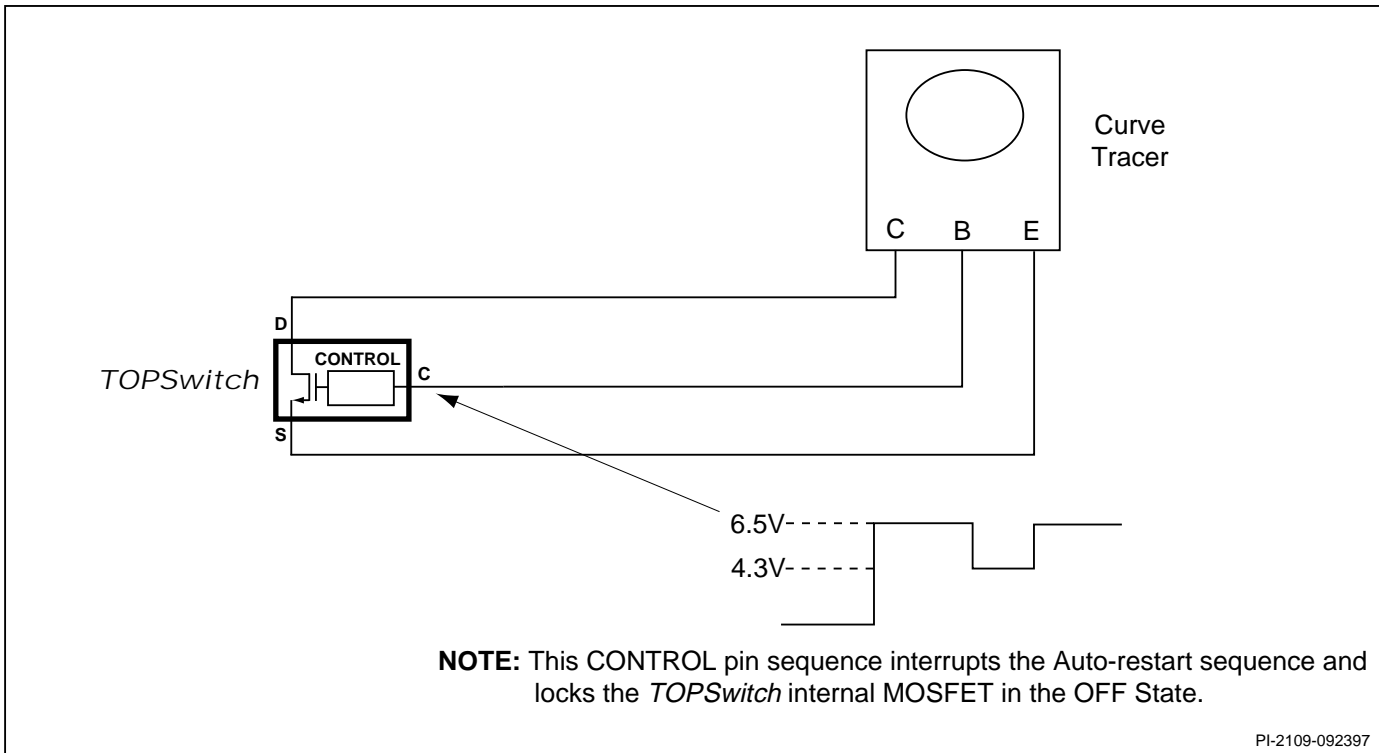


Figure 15. Breakdown Voltage and Leakage Current Measurement Test Circuit.

**BENCH TEST PRECAUTIONS FOR EVALUATION OF ELECTRICAL CHARACTERISTICS**

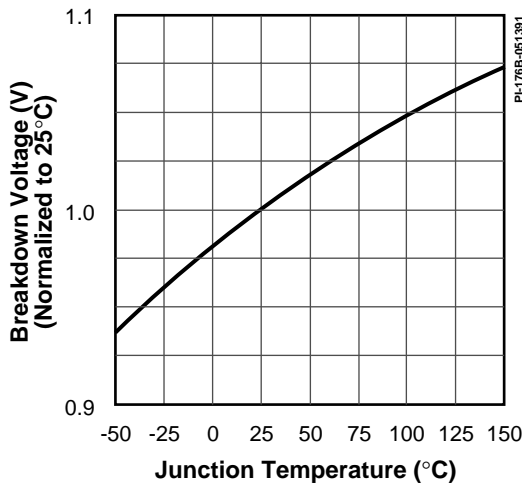
The following precautions should be followed when testing *TOPSwitch* by itself outside of a power supply. The schematic shown in Figure 14 is suggested for laboratory testing of *TOPSwitch*.

When the DRAIN supply is turned on, the part will be in the Auto-restart mode. The CONTROL pin voltage will be oscillating at a low frequency from 4.7 to 5.7 V and the DRAIN is turned on every eighth cycle of the CONTROL pin oscillation. If the CONTROL pin power supply is turned on while in this

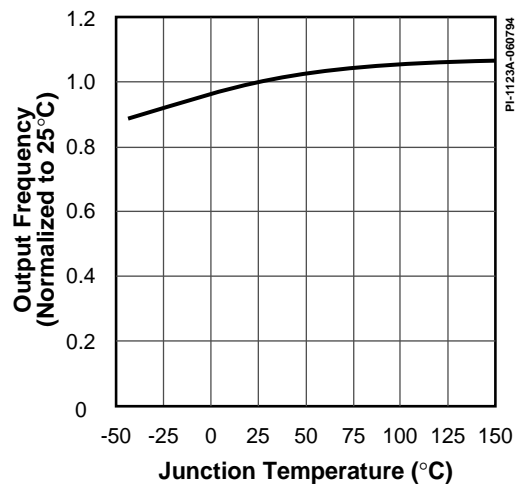
Auto-restart mode, there is only a 12.5% chance that the control pin oscillation will be in the correct state (DRAIN active state) so that the continuous DRAIN voltage waveform may be observed. It is recommended that the  $V_C$  power supply be turned on first and the DRAIN power supply second if continuous drain voltage waveforms are to be observed. The 12.5% chance of being in the correct state is due to the 8:1 counter. Temporarily shorting the CONTROL pin to the SOURCE pin will reset *TOPSwitch*, which then will come up in the correct state.

**Typical Performance Characteristics**

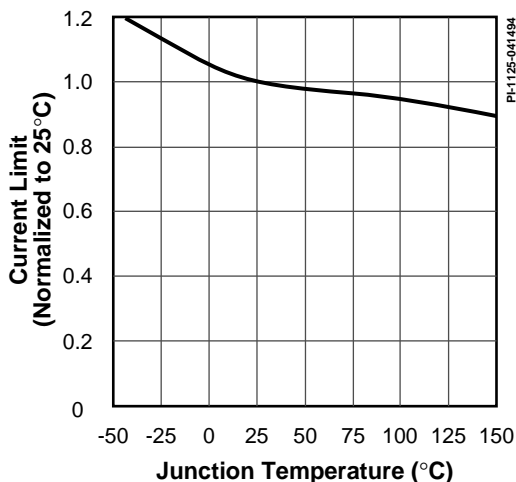
**BREAKDOWN vs. TEMPERATURE**



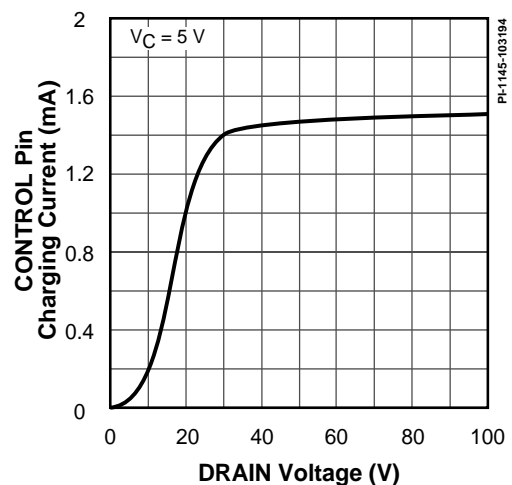
**FREQUENCY vs. TEMPERATURE**



**CURRENT LIMIT vs. TEMPERATURE**



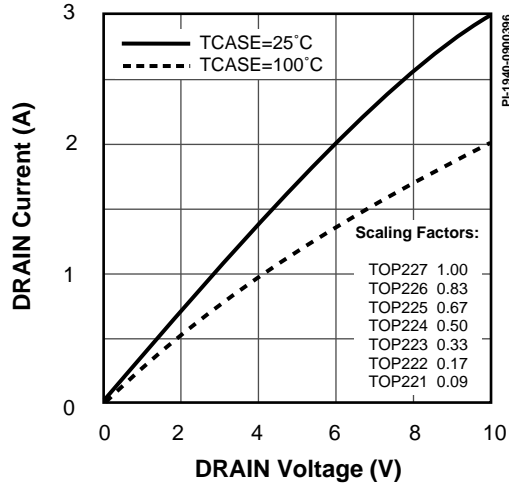
**$I_C$  vs. DRAIN VOLTAGE**



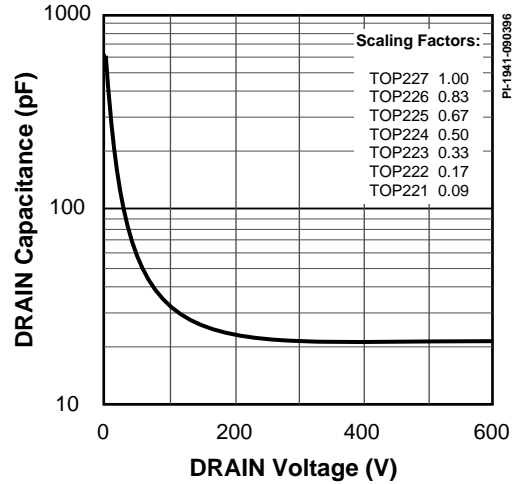


**Typical Performance Characteristics (cont.)**

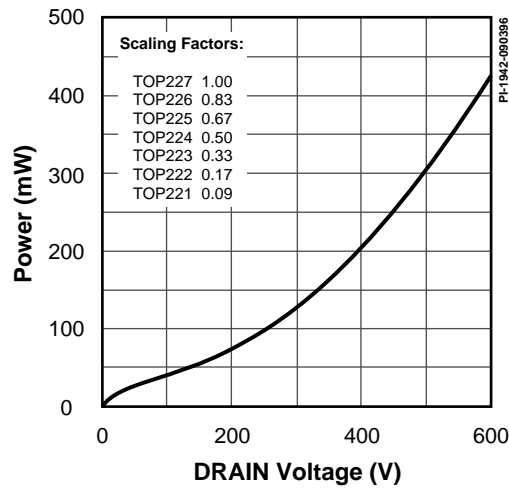
**OUTPUT CHARACTERISTICS**



**COSS vs. DRAIN VOLTAGE**



**DRAIN CAPACITANCE POWER**



**Free TOPSwitch Flyback Transformer Design Spreadsheets**

To receive your free copy of the latest version of the spreadsheets on a 3 1/2" IBM compatible floppy (Excel 4.0 format), please visit our Website at [www.powerint.com](http://www.powerint.com) or fill out this form completely and mail/fax it to us at the address/phone number noted below.

Name: \_\_\_\_\_

Position/Title: \_\_\_\_\_

Company: \_\_\_\_\_

Address: \_\_\_\_\_

City: \_\_\_\_\_ State: \_\_\_\_\_ Zip/Postal Code: \_\_\_\_\_

Country: \_\_\_\_\_

Phone: \_\_\_\_\_ Fax: \_\_\_\_\_

E-mail: \_\_\_\_\_

End Application: \_\_\_\_\_

Power Requirement: \_\_\_\_\_

Input Voltage: \_\_\_\_\_

Estimated Design Completion Date: \_\_\_\_\_

Power supply that I am designing is

- the end product of my company
- is incorporated as part of an end product. If so, please specify the end product \_\_\_\_\_

To qualify for this free offer, this form must be filled out completely.

Fax or mail this request to:

**Free Flyback Transformer Design Spreadsheet Program Offer**

Power Integrations, Inc.  
477 N. Mathilda Avenue  
Sunnyvale, CA 94086  
Attn: Customer Service

**Fax: 408-523-9365**

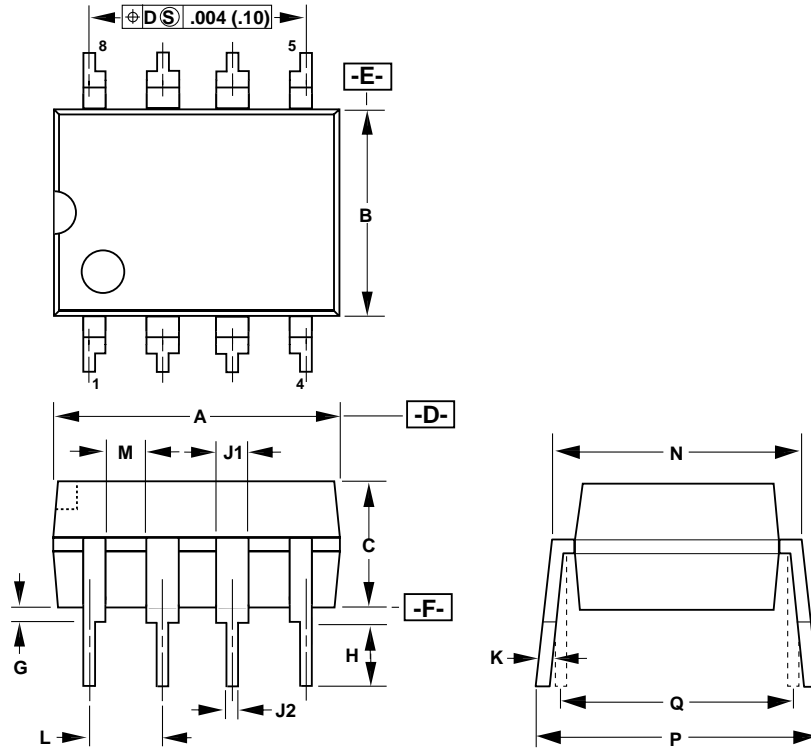


P08A

Plastic DIP-8

| DIM | inches      | mm         |
|-----|-------------|------------|
| A   | 0.370-0.385 | 9.40-9.78  |
| B   | 0.245-0.255 | 6.22-6.48  |
| C   | 0.125-0.135 | 3.18-3.43  |
| G   | 0.015-0.040 | 0.38-1.02  |
| H   | 0.120-0.135 | 3.05-3.43  |
| J1  | 0.060 (NOM) | 1.52 (NOM) |
| J2  | 0.014-0.022 | 0.36-0.56  |
| K   | 0.010-0.012 | 0.25-0.30  |
| L   | 0.090-0.110 | 2.29-2.79  |
| M   | 0.030 (MIN) | 0.76 (MIN) |
| N   | 0.300-0.320 | 7.62-8.13  |
| P   | 0.300-0.390 | 7.62-9.91  |
| Q   | 0.300 BSC   | 7.62 BSC   |

- Notes:
1. Package dimensions conform to JEDEC specification MS-001-AB for standard dual in-line (DIP) package .300 inch row spacing (PLASTIC) 8 leads (issue B, 7/85).
  2. Controlling dimensions are inches.
  3. Dimensions shown do not include mold flash or other protrusions. Mold flash or protrusions shall not exceed .006 (.15) on any side.
  4. D, E and F are reference datums on the molded body.



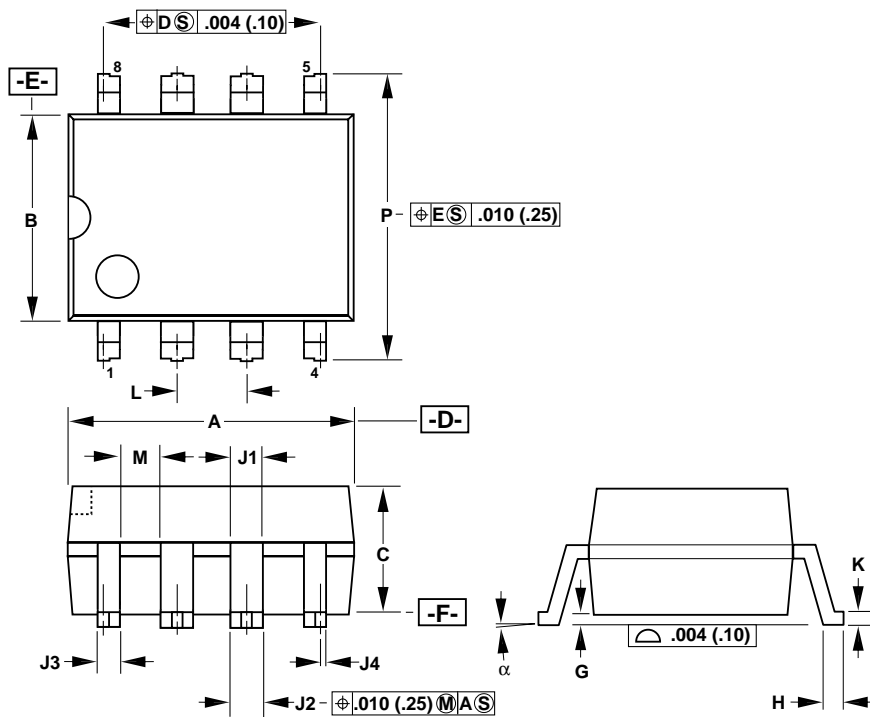
PI-2076-031197

G08A

Plastic SMD-8

| DIM      | inches      | mm         |
|----------|-------------|------------|
| A        | 0.370-0.385 | 9.40-9.78  |
| B        | 0.245-0.255 | 6.22-6.48  |
| C        | 0.125-0.135 | 3.18-3.43  |
| G        | 0.004-0.012 | 0.10-0.30  |
| H        | 0.036-0.044 | 0.91-1.12  |
| J1       | 0.060 (NOM) | 1.52 (NOM) |
| J2       | 0.048-0.053 | 1.22-1.35  |
| J3       | 0.032-0.037 | 0.81-0.94  |
| J4       | 0.007-0.011 | 0.18-0.28  |
| K        | 0.010-0.012 | 0.25-0.30  |
| L        | 0.100 BSC   | 2.54 BSC   |
| M        | 0.030 (MIN) | 0.76 (MIN) |
| P        | 0.372-0.388 | 9.45-9.86  |
| $\alpha$ | 0-8°        | 0-8°       |

- Notes:
1. Package dimensions conform to JEDEC specification MS-001-AB (issue B, 7/85) except for lead shape and size.
  2. Controlling dimensions are inches.
  3. Dimensions shown do not include mold flash or other protrusions. Mold flash or protrusions shall not exceed .006 (.15) on any side.
  4. D, E and F are reference datums on the molded body.



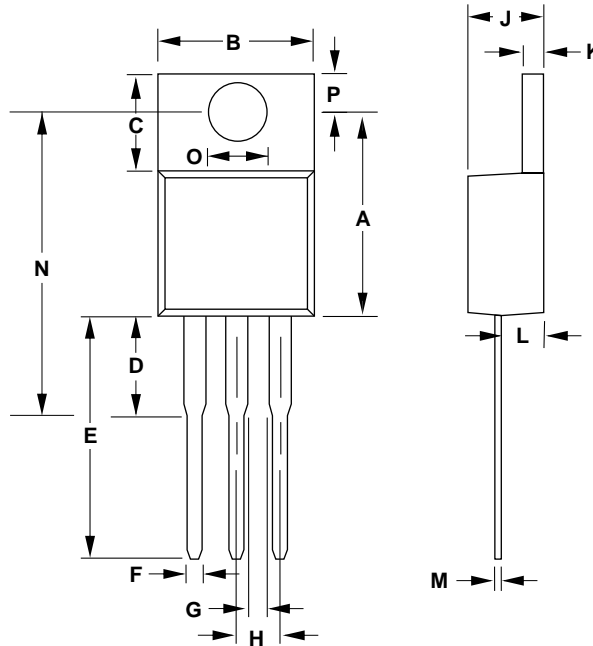
PI-2077-071597



**Y03A**

**Plastic TO-220/3**

| DIM | inches      | mm          |
|-----|-------------|-------------|
| A   | .460-.480   | 11.68-12.19 |
| B   | .400-.415   | 10.16-10.54 |
| C   | .236-.260   | 5.99-6.60   |
| D   | .240 - REF. | 6.10 - REF. |
| E   | .520-.560   | 13.21-14.22 |
| F   | .028-.038   | .71-.97     |
| G   | .045-.055   | 1.14-1.40   |
| H   | .090-.110   | 2.29-2.79   |
| J   | .165-.185   | 4.19-4.70   |
| K   | .045-.055   | 1.14-1.40   |
| L   | .095-.115   | 2.41-2.92   |
| M   | .015-.020   | .38-.51     |
| N   | .705-.715   | 17.91-18.16 |
| O   | .146-.156   | 3.71-3.96   |
| P   | .103-.113   | 2.62-2.87   |



- Notes:
1. Package dimensions conform to JEDEC specification TO-220 AB for standard flange mounted, peripheral lead package; .100 inch lead spacing (Plastic) 3 leads (issue J, March 1987)
  2. Controlling dimensions are inches.
  3. Pin numbers start with Pin 1, and continue from left to right when viewed from the top.
  4. Dimensions shown do not include mold flash or other protrusions. Mold flash or protrusions shall not exceed .006 (.15 mm) on any side.
  5. Position of terminals to be measured at a position .25 (6.35 mm) from the body.
  6. All terminals are solder plated.

PI-1848-050696

Power Integrations reserves the right to make changes to its products at any time to improve reliability or manufacturability. Power Integrations does not assume any liability arising from the use of any device or circuit described herein, nor does it convey any license under its patent rights or the rights of others.

PI Logo and *TOPSwitch* are registered trademarks of Power Integrations, Inc.

©Copyright 1998, Power Integrations, Inc. 477 N. Mathilda Avenue, Sunnyvale, CA 94086 <http://www.powerint.com>

**WORLD HEADQUARTERS**

**NORTH AMERICA - WEST**

Power Integrations, Inc.  
477 N. Mathilda Avenue  
Sunnyvale, CA 94086 USA  
Main: +1•408•523•9200  
Customer Service:  
Phone: +1•408•523•9265  
Fax: +1•408•523•9365

**NORTH AMERICA - EAST**

**& SOUTH AMERICA**

Power Integrations, Inc.  
Eastern Area Sales Office  
1343 Canton Road, Suite C1  
Marietta, GA 30066 USA  
Phone: +1•770•424•5152  
Fax: +1•770•424•6567

**EUROPE & AFRICA**

Power Integrations (Europe) Ltd.  
Mountbatten House  
Fair Acres Windsor  
Berkshire SL4 4LE,  
United Kingdom  
Phone: +44•(0)•1753•622•208  
Fax: +44•(0)•1753•622•209

**TAIWAN**

Power Integrations International  
Holdings, Inc.  
2F, #508, Chung Hsiao E. Rd., Sec. 5,  
Taipei 105, Taiwan  
Phone: +886•2•2727•1221  
Fax: +886•2•2727•1223

**KOREA**

Power Integrations International  
Holdings, Inc.  
Rm# 402, Handuk Building,  
649-4 Yeoksam-Dong, Kangnam-Gu,  
Seoul, Korea  
Phone: +82•2•568•7520  
Fax: +82•2•568•7474

**JAPAN**

Power Integrations, K.K.  
Keihin-Tatemono 1st Bldg.  
12-20 Shin-Yokohama 2-Chome,  
Kohoku-ku, Yokohama-shi,  
Kanagawa 222, Japan  
Phone: +81•(0)•45•471•1021  
Fax: +81•(0)•45•471•3717

**INDIA (Technical Support)**

Innovatech  
#1, 8th Main Road  
Vasanthnagar  
Bangalore 560052, India  
Phone: +91•80•226•6023  
Fax: +91•80•228•2191

**APPLICATIONS HOTLINE**

World Wide +1•408•523•9260

**APPLICATIONS FAX**

World Wide +1•408•523•9361