

**features**

- **Dual-Channel Knock Sensor Interface**
- **Programmable Input Frequency Prescaler (OSC<sub>IN</sub>)**
- **Serial Interface With Microprocessor (SPI)**
- **Programmable Gain**
- **Programmable Band-Pass Filter Center Frequency**
- **External Clock Frequencies up to 24 MHz – 4, 5, 6, 8, 10, 12, 16, 20, and 24 MHz**
- **Programmable Integrator Time Constants**
- **Operating Temperature Range –40°C to 125°C**

**applications**

- **Engine Knock Detector Signal Processing**
- **Analog Signal Processing With Filter Characteristics**

**description**

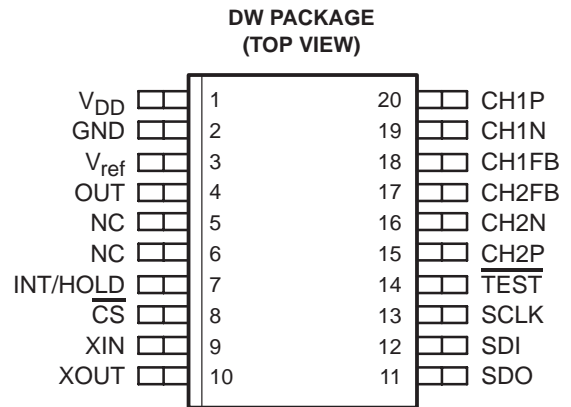
The TPIC8101 is a dual-channel signal processing IC for detection of premature detonation in combustion engine. The two sensor channels are selectable through the SPI bus. The knock sensor typically provides an electrical signal to the amplifier inputs. The sensed signal is processed through a programmable band-pass filter to extract the frequency of interest (engine knock or ping signals). The band-pass filter eliminates any engine background noise associated with combustion. The engine background noise is typically low in amplitude compared to the predetonation noise.

The detected signal is full-wave rectified and integrated by use of the INT/HOLD signal. The digital output from the integration stage is either converted to an analog signal, passed through an output buffer, or be read directly by the SPI.

This analog buffered output may be interfaced to an A/D converter and read by the microprocessor. The digital output may be directly interfaced to the microprocessor.

The data from the A/D enables the system to analyze the amount of retard timing for the next spark ignition timing cycle.

With the microprocessor closed-loop system, advancing and retarding the spark timing optimize the load/RPM conditions for a particular engine (data stored in RAM).



Please be aware that an important notice concerning availability, standard warranty, and use in critical applications of Texas Instruments semiconductor products and disclaimers thereto appears at the end of this data sheet.

PRODUCTION DATA information is current as of publication date. Products conform to specifications per the terms of Texas Instruments standard warranty. Production processing does not necessarily include testing of all parameters.



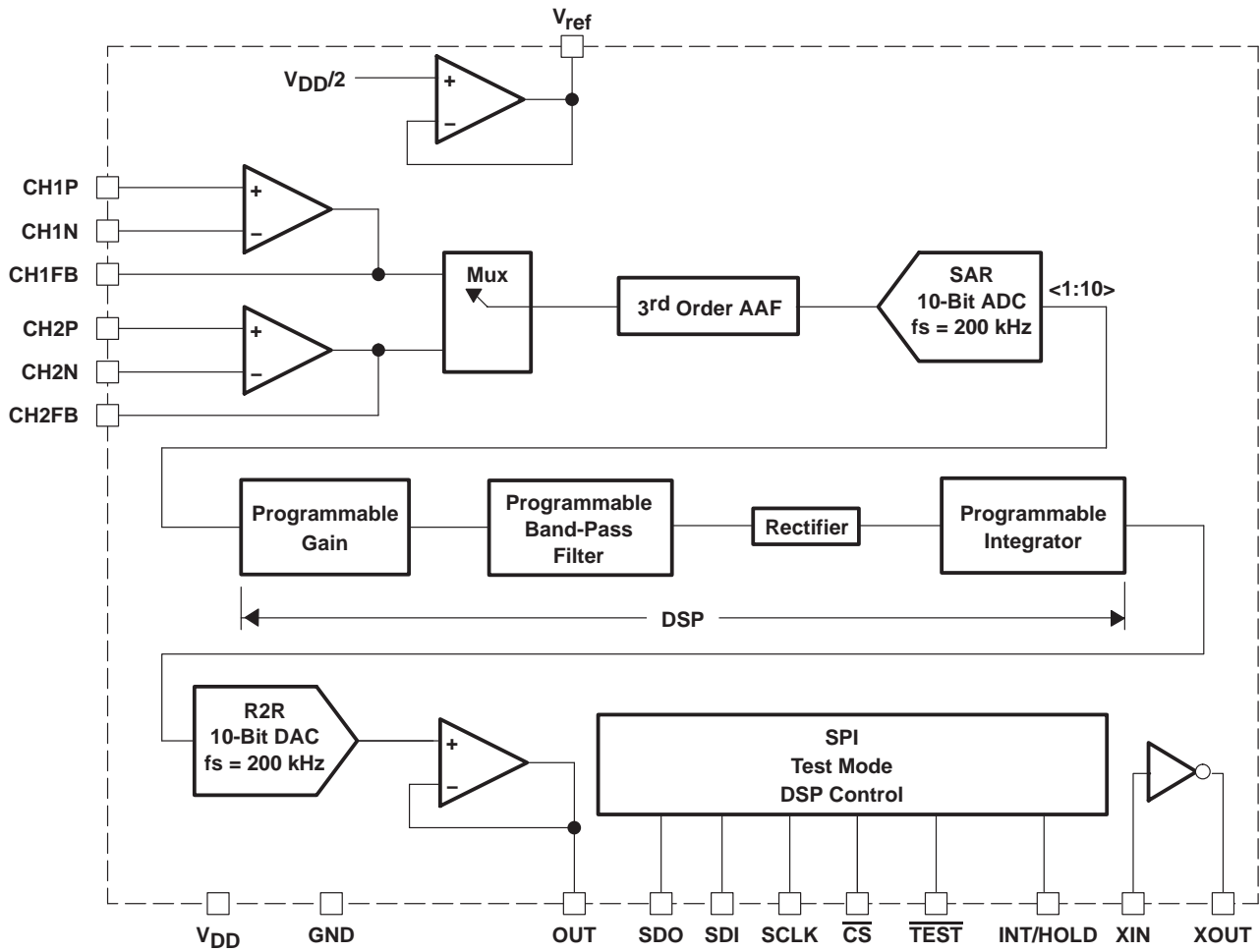
POST OFFICE BOX 655303 • DALLAS, TEXAS 75265

Copyright © 2003 – 2005, Texas Instruments Incorporated

# TPIC8101 KNOCK SENSOR INTERFACE

SLIS110A – APRIL 2003 – REVISED MAY 2005

## functional block diagram



### Terminal Functions

TERMINAL			DESCRIPTION
NAME	NO.	TERMINAL TYPE (PULLUP/PULLDOWN)	
V <sub>DD</sub>	1	I	5-V input supply
GND	2	I	Ground connection
V <sub>ref</sub>	3	O	Supply reference generator with external bypass capacitor
OUT	4	O	Buffered integrator output
NCT <sup>†</sup>	5, 6		No connection
INT/HOLD	7	I / Pulldown	Selectable for integrate (high) or hold (low) mode (with internal pulldown)
$\overline{\text{CS}}$	8	I / Pullup	Chip select for SPI communications (active low with internal pullup)
XIN	9	I	Inverter input for oscillator
XOUT	10	O	Inverter output for oscillator
SDO	11	O	Serial data output for SPI bus
SDI	12	I / Pullup	Serial data input line
SCLK	13	I / Pullup	SPI clock
$\overline{\text{TEST}}$	14	I / Pullup	Test mode (active low), open for normal operation
CH2P	15	I	Positive input for amplifier #2
CH2N	16	I	Negative input for amplifier #2
CH2FB	17	O	Output of amplifier #2, for feedback connection
CH1FB	18	O	Output of amplifier #1, for feedback connection
CH1N	19	I	Negative input for amplifier #1
CH1P	20	I	Positive input for amplifier #1

<sup>†</sup> These terminals are to be used for test purposes only and are not connected in the system application. No signal traces should be connected to the NC terminals.

# TPIC8101

## KNOCK SENSOR INTERFACE

SLIS110A – APRIL 2003 – REVISED MAY 2005

### absolute maximum ratings over operating free-air temperature (unless otherwise noted)†

Regulated input voltage (see Notes 1 and 2), $V_{DD}$	–0.3 V to 7 V
Output voltage (see Notes 1 and 2), $V_O$	–0.3 V to 7 V
Input voltage (see Notes 1 and 2), $V_{IN}$	–0.3 V to 7 V
DC input current on terminals CH1P, CH1N, CH2P, and CH2N (see Notes 1 and 2), $I_{IN}$	2 mA
DC input voltage on terminals CH1P, CH1N, CH2P and CH2N (see Notes 1 and 2), $V_{DCIN}$	14 V
Thermal impedance junction to ambient, $\theta_{JA}$	120°C/W
Continuous power dissipation, $P_D$	200 mW
Electrostatic discharge susceptibility (see Note 3), $V_{(HBMESD)}$	2 kV
Operating ambient temperature range, $T_A$	–40°C to 125°C
Storage temperature range, $T_{stg}$	–65°C to 150°C
Lead temperature (soldering, 10 sec), $T_{LEAD}$	265°C

† Stresses beyond those listed under “absolute maximum ratings” may cause permanent damage to the device. These are stress ratings only, and functional operation of the device at these or any other conditions beyond those indicated under “recommended operating conditions” is not implied. Exposure to absolute-maximum-rated conditions for extended periods may affect device reliability.

NOTES: 1. All voltage values are with respect to GND.

2. Absolute negative voltage on these terminals is not to go below –0.5 V.

3. The human body model is a 100-pF capacitor discharged through a 1.5-kΩ resistor into each terminal.

### recommended operating conditions

	MIN	MAX	UNITS
Regulated input voltage, $V_{DD}$	–0.3	5.5	V
Output voltage, $V_O$	–0.3	5.5	V
Input voltage, $V_{IN}$	0.05	$V_{DD} - 0.05$	V
DC input current on terminals CH1P, CH1N, CH2P, and CH2N, $I_{IN}$	–1	1	μA
DC input voltage on terminals CH1P, CH1N, CH2P, and CH2N, $V_{DCIN}$		$V_{ref}, (V_{DD}/2)$	V
Continuous power dissipation, $P_D$		100	mW



**dc electrical characteristics,  $V_{DD} = 5\text{ V} \pm 5\%$ , input frequency before prescaler = 4 MHz to 20 MHz ( $\pm 0.5\%$ ),  $T_A = -40^\circ\text{C}$  to  $125^\circ\text{C}$  (unless otherwise specified)**

PARAMETER		TEST CONDITIONS	MIN	TYP	MAX	UNITS
$I_{DD(Q)}$	Quiescent current	$V_{DD} = 5\text{ V}$		7.5		mA
$I_{DD(OP)}$	Operating current	$V_{DD} = 5\text{ V}$ , $XIN = 8\text{ MHz}$			20	mA
$V_{mid0}$	Midpoint voltage	$V_{DD} = 5\text{ V}$ , $I_{Source} = 2\text{ mA}$	2.3	2.5	2.55	V
$V_{mid1}$	Midpoint voltage	$V_{DD} = 5\text{ V}$ , $I_{Sink} = 2\text{ mA}$	2.4	2.5	2.7	V
$V_{mid2}$	Midpoint voltage	$V_{DD} = 5\text{ V}$ , $I_L = 0\text{ mA}$	2.4	2.5	2.6	V
$R_{pull0}$	Internal pullup resistor $\overline{CS}$ , $SDI$ , $SCLK$ , $\overline{TEST}$	$V_{IN} = GND$	30			k $\Omega$
$R_{pull1}$	Internal pulldown resistor INT/HOLD	$V_{IN} = V_{DD}$	20			k $\Omega$
$I_{lkg}$	Input leakage current $\overline{CS}$ , $SDI$ , $SCLK$ , INT/HOLD, $\overline{TEST}$	Measured at GND and $V_{DD}$ , $V_{DD} = 5.5\text{ V} = V_{IN}$			$\pm 3$	$\mu\text{A}$
$V_{IL}$	Low-level input voltage INT/HOLD, $\overline{CS}$ , $\overline{TEST}$ , $SDI$ , $SCLK$				30% of $V_{DD}$	
$V_{IH}$	High-level input voltage INT/HOLD, $\overline{CS}$ , $\overline{TEST}$ , $SDI$ , $SCLK$		70% of $V_{DD}$			
$V_{OL}$	Low-level output voltage SDO	$I_{Sink} = 4\text{ mA}$ , $V_{DD} = 5\text{ V}$			0.7	V
$V_{OH}$	High-level output voltage SDO	$I_{Source} = 100\text{ }\mu\text{A}$ , $V_{DD} = 5\text{ V}$	4.4			V
$I_{lkg(OL)}$	Low-level leakage current SDO	Measured at GND and $V_{DD} = 5\text{ V}$ , SDO in high impedance	-10		10	$\mu\text{A}$
$V_{OL(XOUT)}$	Low-level output voltage	$I_{Sink} = 500\text{ }\mu\text{A}$ , $V_{DD} = 4.5\text{ V}$			1.5	V
$V_{OH(XOUT)}$	High-level output voltage	$I_{Source} = 500\text{ }\mu\text{A}$ , $V_{DD} = 5\text{ V}$	4.4			V
$V_{hyst}$	Hysteresis voltage INT/HOLD, $\overline{CS}$ , $XIN$ , $SDI$ , $SCLK$ , $\overline{TEST}$		0.4			V
<b>Input Amplifiers</b>						
$V_{OH(1)}$	CH1FB and CH2FB high-level output voltage	$V_{DD} = 5\text{ V}$ , $I_{Source} = 100\text{ }\mu\text{A}$	$V_{DD} - 0.05$	$V_{DD} - 0.02$		V
		$V_{DD} = 5\text{ V}$ , $I_{Source} = 2\text{ mA}$	$V_{DD} - 0.5$			
$V_{OL(1)}$	CH1FB and CH2FB low-level output voltage	$I_{Sink} = 100\text{ }\mu\text{A}$		15	50	mV
		$I_{Sink} = 2\text{ mA}$			500	
$C_{ATTEN}$	Cross-coupling attenuation CH1FB and CH2FB	$f_{in\ max(ch1)} = 20\text{ kHz}$ , measured on channel 2	40			dB
$A_v$	Open-loop gain		60	100		dB
$GBW$	Gain bandwidth product	Input range 0.5 V to 4.5 V	1	2.6		MHz
$V_{IN}$	Input voltage range		0.05		$V_{DD} - 0.05$	V
$V_{(offset)}$	Offset voltage at input		-10		10	mV
CMRR	Common-mode rejection ratio	Inputs at $V_{mid}$ $f_{in} = 0$ to 20 kHz	60	80		dB
PM	Phase margin	Gain = 1, $C_L = 200\text{ pF}$ , $R_L = 100\text{ k}\Omega$	45			deg
<b>Prescaler, XIN</b>						
$V_{OSC}$	Minimum input peak amplitude(1)	$V_{DD} = V_{min}$ , oscillator inverter biased feedback resistor 1 M $\Omega$ , $f_{osc} = 24\text{ MHz}$	150			mV
$C_{IN}$	Input capacitance	Assured by design			7	pF
$I_{lkg(XIN)}$	Leakage current		-1		1	$\mu\text{A}$

NOTE 1: 150-mV input amplitude on the 4-MHz clock input only applies if the feedback network is completed. Without the feedback network, the 4-MHz signal should be at 0–5V levels.

# TPIC8101

## KNOCK SENSOR INTERFACE

SLIS110A – APRIL 2003 – REVISED MAY 2005

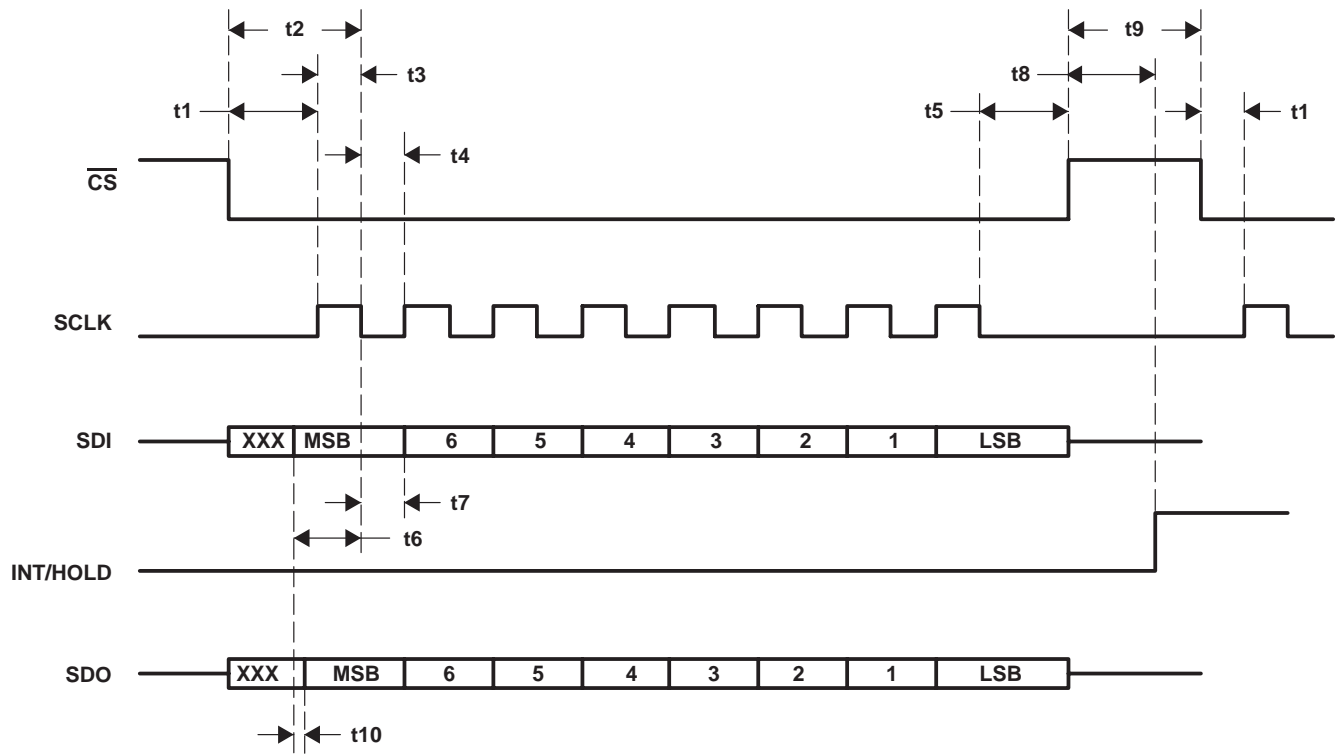
dc electrical characteristics,  $V_{DD} = 5\text{ V} \pm 5\%$ , input frequency before prescaler = 4 MHz to 20 MHz ( $\pm 0.5\%$ ),  $T_A = -40^\circ\text{C}$  to  $125^\circ\text{C}$  (unless otherwise specified) (continued)

PARAMETER		TEST CONDITIONS	MIN	TYP	MAX	UNITS
<b>Multiplexer</b>						
$C_{ATTEN}$	Cross-coupling attenuation (assured by design)	$f_{in\ max(ch1)} = 20\text{ kHz}$ , measured on channel 2	40			dB
<b>Anti-Aliasing Filter</b>						
$f_c^\ddagger$	Cut-off frequency at $-3\text{ dB}$		35	45	55	kHz
BW	Response 1 kHz to 20 kHz referenced to 1 kHz	70-mV RMS, input: CH1FB or CH2FB, output: OUT	-1	-0.5	1	dB
ATTEN	Attenuation at 100 kHz referenced to 1 kHz	70-mV RMS, input: CH1FB or CH2FB, output: OUT	-10	-15		dB
<b>Analog-to-Digital Converter</b>						
$f_s$	Sampling frequency	For all frequencies stated	198	200	202	kHz
AR	Analog resolution		10			Bit
ADNL	Differential linearity error (DNL)			1		Bit
AINL	Linearity error (INL)			1		Bit
<b>Digital-to-Analog Converter</b>						
$f_s(DA)$	Sampling frequency		198	200	202	kHz
DR	Resolution at 200 kHz		10			Bit
DDNL	Differential linearity error (DNL)	( $V_{reset} < DAC_{out} < 0.98 V_{DD}$ )	-1		1	LSB
DINL	Linearity error (INL)	( $V_{reset} < DAC_{out} < 0.98 V_{DD}$ )	-2.5		2.5	LSB
DRNIL	Repeatability (for characterization purposes only)		-1		1	LSB
<b>Output Buffer</b>						
$V_{OH}$	High-level output voltage	$V_{DD} = 5\text{ V}$ , $I_{Source} = 2\text{ mA}$	$V_{DD} - 0.2$	$V_{DD} - 0.15$		V
$V_{OL}$	Low-level output voltage	$V_{DD} = 5\text{ V}$ , $I_{Sink} = 2\text{ mA}$		120	175	mV
$A_v$	Open-loop gain	$I_O = \pm 2\text{ mA}$	60	100		dB
G	Output gain	$I_O = \pm 2\text{ mA}$		1		
$V_{ripple}$	Ripple voltage	$C_L = 0$ to $22\text{ nF}$ , max slew rate, $12\text{ mV}/\mu\text{s}$ from $V_{reset}$ to $4\text{ V}$			10	mV
$t_s$	Settling time	$C_L = 0$ to $22\text{ nF}$ , max slew rate, $12\text{ mV}/\mu\text{s}$ from $V_{reset}$ to $4\text{ V}$ , output: $\pm 0.5\text{ LSB}$			20	$\mu\text{s}$

$^\ddagger f_c$  is programmable (see Table 1).

**ac electrical characteristics,  $V_{DD} = 5\text{ V} \pm 5\%$ ,  $T_A = -40^\circ\text{C}$  to  $125^\circ\text{C}$  (unless otherwise specified)**

DESCRIPTION		MIN	TYP	MAX	UNITS
$f_{SPI}$	SPI frequency			5	MHz
t1	Time from $\overline{CS}$ falling edge to SCLK rising edge	10			ns
t2	Time from $\overline{CS}$ falling edge to SCLK falling edge	80			ns
t3	Time for SCLK to go high	60			ns
t4	Time for SCLK to go low	60			ns
t5	Time from last SCLK falling edge to $\overline{CS}$ rising edge	80			ns
t6	Time from SDI valid to falling edge of SCLK	60			ns
t7	Time for SDI valid after falling edge of SCLK	10			ns
t8	Time after $\overline{CS}$ rises until INT/HOLD to go high	8			ns
t9	Time between two words for transmitting	170			ns
t10	Time for SDO valid after SDI on bus, at $V_{DD} = 5\text{ V}$ and load = 20 pF			40	ns



**Figure 1. Serial Peripheral Interface (SPI)**

This is an 8-bit SPI protocol used to communicate with the microcontroller in the system for setting various operating parameters.

When  $\overline{CS}$  is held high, the signals on the SCLK and SDI lines are ignored and SDO is forced into a high-impedance state. SCLK must be low when  $\overline{CS}$  is asserted low.

On each falling edge of the SCLK pulse after  $\overline{CS}$  is asserted low, the new byte is serially shifted into the register. The most significant bit (MSB) is shifted first. Only eight bits in a frame are acceptable. When a number of bits shifted is different than the value eight, the information is ignored and the register retains the old setting.

The shift register transfers the data into a latch register after the eighth SCLK clock pulse and when  $\overline{CS}$  transitions from low to high (see Figure 1).

The function of the integration mode is to ignore any SPI frame transmission when the INT/HOLD bit = 1. In the hold mode with INT/HOLD = 0, all necessary bytes may be transmitted.

# TPIC8101

## KNOCK SENSOR INTERFACE

SLIS110A – APRIL 2003 – REVISED MAY 2005

---

### function principle

The TPIC8101 is designed for knock sensor signal conditioning in automotive applications. The device is an analog interface between the engine acoustical sensors or accelerometers and the fuel management systems of a gasoline engine. The two wide-band amplifiers process signals from the piezoelectric sensors. Outputs of the amplifiers feed a channel select mux switch and then a 3<sup>rd</sup> order antialiasing filter. This signal is converted using an analog-to-digital conversion (10 bits with a sampling frequency of 200 kHz) prior to the gain stage.

The gain stage is adjustable via the SPI to compensate for the knock energies. The gain setting is selectable up to 64 values ranging from 0.111 to 2.0.

The output of the gain stage feeds a band-pass filter circuit to process the particular frequency component associated with the engine and transducer.

The band-pass filter has a gain of two and a center frequency range between 1.22 kHz and 19.98 kHz (64-bit selection). The output from this stage is internally clamped.

The output from the band-pass filter is full-wave rectified with its output clamped below  $V_{DD}$ .

The full-wave rectified signals are integrated using an integrator time constant set by the SPI and integration time window set by the pulse width of INT/HOLD. At the start of each knock window, the integrator output is reset. The output of the integrator is internally clamped and the digital output may be directly interfaced to the microprocessor.

The integrated signal is converted to an analog format by a 10-bit DAC. The microprocessor may interface to this signal, reads this data, and adjusts the spark ignition timing to optimize fuel efficiency related to load versus engine RPM.

### description of the functional terminals

#### supply voltage ( $V_{DD}$ )

The  $V_{DD}$  terminal is the input supply for the IC, typically 5 V  $\pm$ 5% tolerant. A noise filter capacitor of 4.7  $\mu$ F (typ) is required on this terminal to ensure stability of the internal circuits.

#### ground (GND)

The GND terminal is connected to the system ground rail.

#### reference supply ( $V_{ref}$ )

The  $V_{ref}$  is an internally generated supply reference voltage for biasing the amplifier inputs. The terminal is used to decouple any noise in the system by placing an external capacitor of 22 nF (typ).

#### buffered integrator output (OUT)

The OUT terminal is the output of the integrated signal. This is an analog signal interfaced to the microprocessor A/D channel for data acquisition. A capacitor of 2.2 nF is used to stabilize the signal output.

#### integration/hold mode selection (INT/HOLD)

The INT/HOLD is an input control signal from the microprocessor to select either to integrate the sensed signal or to hold the data for acquisition. There is an internal pulldown on this terminal (default HOLD mode).

#### chip select for SPI ( $\overline{CS}$ )

The  $\overline{CS}$  terminal allows serial communication to the IC through the SPI from a master controller. The chip select is active low with an internal pullup (default inactive).



POST OFFICE BOX 655303 • DALLAS, TEXAS 75265



## description of the functional terminals (continued)

### oscillator input (XIN)

The XIN terminal is the input to the inverter used for the oscillator circuit. An external clock signal from the MCU, crystal, or ceramic resonator is configured with resistors and capacitors. To bias the inverter, a resistor (1 M $\Omega$  typ) is placed across XIN and XOUT.

This clock signal is prescaled to set the internal sampling frequency of the A/D converter.

### oscillator output (XOUT)

The XOUT terminal is the output of the inverter used for the oscillator circuit.

### data output (SDO)

The SDO output is the SPI data bus reporting information back to the microprocessor. This is a 3-state output with the output set to high-impedance mode when  $\overline{CS}$  is pulled to  $V_{DD}$ . The high-impedance state can also be programmed by setting a bit in the prescale word which takes precedence over the  $\overline{CS}$  setting. The output is disabled when the  $\overline{CS}$  terminal is pulled high ( $V_{DD}$ ).

### data input (SDI)

The SDI terminal is the communication interface for data transfer between the master and slave components. The SDI has an internal pullup to  $V_{DD}$ ; the data stream is in 8-bit word format.

### serial clock (SCLK)

The SCLK output signal is used for synchronous communication of data. Typically, the output from the master clock is low with the IC having an internal pullup resistor to  $V_{DD}$ . The data is clocked to the internal shift register on the falling clock edge.

### test ( $\overline{TEST}$ )

The  $\overline{TEST}$  terminal, when pulled low, allows the IC to enter the test mode. During normal operation, this terminal is left open or tied high ( $V_{DD}$ ). There is an internal pullup to  $V_{DD}$  (default).

### feedback output for amplifiers (CH1FB and CH2FB)

The CHXFB are amplifier outputs for the sensor signals. The gain of the respective amplifiers is set using the CHXFB and CHX input terminals (see Figure 1).

### input amplifiers (CH1P, CH1N, CH2P, and CH2N)

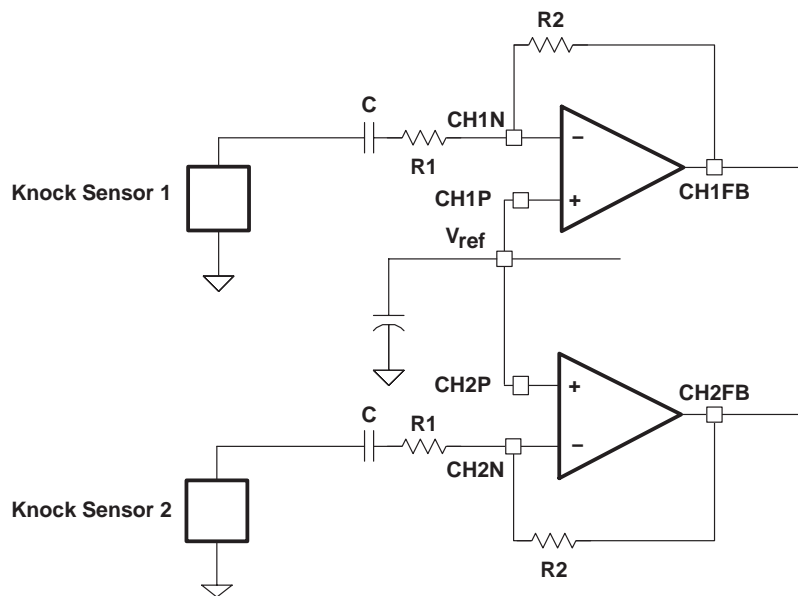
CH1P, CH1N, CH2P, and CH2N are the inputs for the two amplifiers which interface to the external knock sensors.

The gain is set by external resistors R1 and R2. The inputs and outputs of the amplifier are rail-to-rail compatible to the supply  $V_{DD}$ .

An internal multiplexer selects the desired sensor signal to process programmable through the SPI.

# TPIC8101 KNOCK SENSOR INTERFACE

SLIS110A – APRIL 2003 – REVISED MAY 2005



NOTE: The series capacitor C is not mandatory and may be removed in some application circuits.

**Figure 2. Input Signal Configuration**

**Table 1. Integrator Programming**

DECIMAL VALUE (D4...D0)	INTEGRATOR TIME CONSTANT (μSEC)	BAND-PASS FREQUENCY (kHz)	GAIN	DECIMAL VALUE (D5...D0)	BAND-PASS FREQUENCY (kHz)	GAIN
0	40	1.22	2	32	4.95	0.421
1	45	1.26	1.882	33	5.12	0.4
2	50	1.31	1.778	34	5.29	0.381
3	55	1.35	1.684	35	5.48	0.364
4	60	1.4	1.6	36	5.68	0.348
5	65	1.45	1.523	37	5.9	0.333
6	70	1.51	1.455	38	6.12	0.32
7	75	1.57	1.391	39	6.37	0.308
8	80	1.63	1.333	40	6.64	0.296
9	90	1.71	1.28	41	6.94	0.286
10	100	1.78	1.231	42	7.27	0.276
11	110	1.87	1.185	43	7.63	0.267
12	120	1.96	1.143	44	8.02	0.258
13	130	2.07	1.063	45	8.46	0.25
14	140	2.18	1	46	8.95	0.236
15	150	2.31	0.944	47	9.5	0.222
16	160	2.46	0.895	48	10.12	0.211
17	180	2.54	0.85	49	10.46	0.2
18	200	2.62	0.81	50	10.83	0.19
19	220	2.71	0.773	51	11.22	0.182
20	240	2.81	0.739	52	11.65	0.174
21	260	2.92	0.708	53	12.1	0.167
22	280	3.03	0.68	54	12.6	0.16
23	300	3.15	0.654	55	13.14	0.154



POST OFFICE BOX 655303 • DALLAS, TEXAS 75265

**Table 1. Integrator Programming (Continued)**

DECIMAL VALUE (D4...D0)	INTEGRATOR TIME CONSTANT ( $\mu$ SEC)	BAND-PASS FREQUENCY (kHz)	GAIN	DECIMAL VALUE (D5...D0)	BAND-PASS FREQUENCY (kHz)	GAIN
24	320	3.28	0.63	56	13.72	0.148
25	360	3.43	0.607	57	14.36	0.143
26	400	3.59	0.586	58	15.07	0.138
27	440	3.76	0.567	59	15.84	0.133
28	480	3.95	0.548	60	16.71	0.129
29	520	4.16	0.5	61	17.67	0.125
30	560	4.39	0.471	62	18.76	0.118
31	600	4.66	0.444	63	19.98	0.111

## PRINCIPLES OF OPERATION

### system transfer equation

The output voltage may be derived from:

$$V_O = V_{IN} \times A_{IN} \times A_P \times A_{BP} \times A_{INT} \times \frac{t_{INT}}{\tau_C} \times A_O + V_{RESET}$$

where:

$V_{IN}$  = Input voltage peak (amplitude)

$V_O$  = Output voltage

$A_{IN}$  = Input amplifier gain setting

$A_P$  = Programmable gain setting

$A_{BP}$  = Gain of band-pass filter

$A_{INT}$  = Gain of integrator

$t_{INT}$  = Integration time from 0.5 ms to 10 ms

$A_O$  = Output buffer gain

$\tau_C$  = Programmable integrator time constant

$V_{RESET}$  = Reset voltage from which the integration operation starts

If  $A_{BP} = A_{INT} = 2$  and  $A_{IN} = A_O = 1$ ,

then

$$V_O = V_{IN} \times A_P \times \frac{8}{\Pi} \times \frac{t_{INT}}{\tau_C} + V_{RESET}$$

### programming in normal mode ( $\overline{TEST} = 1$ )

To enable programming in the normal mode, the  $\overline{TEST}$  terminal must be high. Communication is through the SPI and the  $\overline{CS}$  terminal is used to enable the IC. The information on the SDI line consists of two parts: address and data.

After power up, the SPI is in default mode (see Table 2).

### default SPI mode

The SPI is in the default mode on the power up sequence. In this case, the SDO directly equals the SDI (echo function). In this mode, five commands can be transmitted by the master controller to configure the IC (see Table 2).

## PRINCIPLES OF OPERATION

**Table 2. Default SPI Mode**

NO.	CODE	COMMAND (t)	DATA	RESPONSE (t)
1	010 D[4:0]	Set the prescaler and SDO status	OSC <sub>IIN</sub> frequency D[4:1]=0000=> 4 MHz D[4:1]=0001=> 5 MHz D[4:1]=0010=> 6 MHz D[4:1]=0011=> 8 MHz D[4:1]=0100=> 10 MHz D[4:1]=0101=> 12 MHz D[4:1]=0110=> 16 MHz D[4:1]=0111=> 20 MHz D[4:1]=1000=> 24 MHz  D[0]=0 => SDO active D[1]=1=> SDO high impedance	SDI (010 D[4:0])
2	1110 000 D[0]	Select the channel	D[0]=0 => Channel 1 selected D[1]=1=> Channel 2 selected	SDI (1110 000 D[0])
3	00 D[5:0]	Set the band-pass center frequency	D[5:0] (see Table 1)	SDI (00 D[5:0])
4	10 D[5:0]	Set the gain	D[5:0] (see Table 1)	SDI (10 D[5:0])
5	110 D[4:0]	Set the integration time constant	D[4:0] (see Table 1)	SDI (100 D[4:0])
6	0111 0001	Set SPI configuration to the advanced mode	None	SDI (0111 0001)

NOTE: Command #6 is to enter into the advanced mode.

### advanced SPI mode

The advanced SPI mode has additional features to the default SPI mode. A control byte is written to the SDI and shifted with the MSB first. The response byte on the SDO is shifted out with the MSB first. The response byte corresponds to the previous command. Therefore, the SDI shifts in a control byte *n* and shifts out a response command byte *n*-1. Each control/response pair of commands requires two full 8-bit shift cycles to complete a transmission. The control bytes with the expected response are shown in Table 3.

In the advanced SPI mode, only a power-down condition may reset the SPI mode to the default state on the subsequent power-up cycle.

**PRINCIPLES OF OPERATION**

**Table 3. Advanced SPI Mode**

NO.	CODE	COMMAND (t)	DATA	RESPONSE (t)
1	010 D[4:0]	Set the prescaler and SDO status	OSC <sub>IN</sub> frequency D[4:1]=0000=> 4 MHz D[4:1]=0001=> 5 MHz D[4:1]=0010=> 6 MHz D[4:1]=0011=> 8 MHz D[4:1]=0100=> 10 MHz D[4:1]=0101=> 12 MHz D[4:1]=0110=> 16 MHz D[4:1]=0111=> 20 MHz D[4:1]=1000=> 24 MHz  D[0]=0 => SDO active D[1]=1=> SDO high impedance	Byte 1 (D7 to D0) of the digital integrator output
2	1110 000 D[0]	Select the channel	D[0]=0 => Channel 1 selected D[1]=1=> Channel 2 selected	D9 to D8 of digital integrator output followed by six zeros
3	00 D[5:0]	Set the band-pass center frequency	D[5:0] (see Table 1)	Byte 1 (MSB) of the 00000001
4	10 D[5:0]	Set the gain	D[5:0] (see Table 1)	Byte 2 (LSB) 11100000
5	110 D[4:0]	Set the integration time constant	D[4:0] (see Table 1)	SPI configuration (MSB)01110001(LSB)
6	0111 0001	Set SPI configuration to the advanced mode	None	Inverted SPI configuration (MSB)10001110(LSB)

**digital data output from the TPIC8101**

**digital output**

- Digital integrator output (10 bits, D[9:0])
- First response byte (MSB): 8 bits for D7 to D0 of the integrator output
- Second response byte (LSB): 2 bits for D9 to D8 of the integrator output followed by six zeros

**programming examples**

**prescaler/SDO status**

- 01000101 programs an input frequency of 6 MHz with SDO terminal in high impedance.

**channel selection**

- 1110001 selects channel 2.

**band-pass frequency**

- 00100111 programs a band-pass filter with center frequency of 6.37 kHz.

**gain control**

- 10010100 programs the gain with attenuation of 0.739.

**integrator time constant**

- 11000011 programs integrator time constant of 55  $\mu$ s. The binary values are in Table 1 through Table 3.

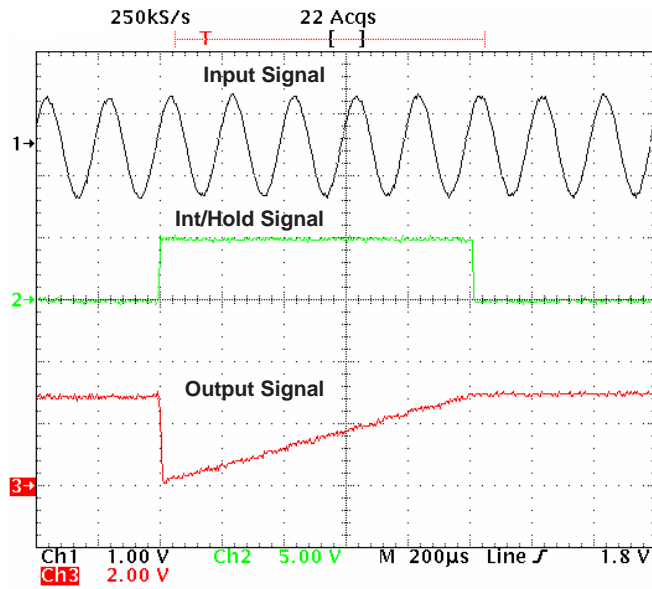
**programming in TEST mode ( $\overline{\text{TEST}} = 0$ )**

To enter test mode, the  $\overline{\text{TEST}}$  terminal must be low. See Table 4 for the signal that may be accessed in this mode.

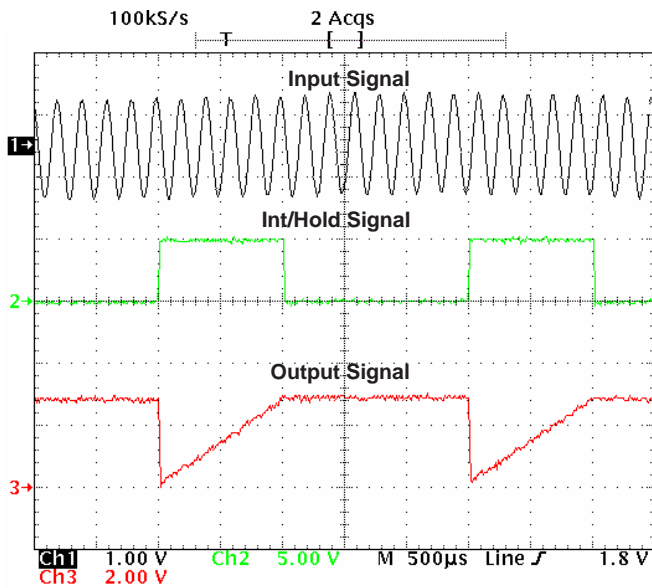
**Table 4. Programming in TEST Mode**

NO.	TEST DESCRIPTION	SDI COMMAND MSB.....LSB	RESPONSE	NOTE
T1	AAF individual test	1111 0000	ADC clock	Deactivates the input and output op amps AAF input connected to CH1FB terminal AAF output connected to OUT terminal
T2	In-line test to AAF output	1111 0000	None	Deactivates the output op amp AAF output connected to OUT terminal
T3	Output buffer individual test	1111 0010	None	Opens the feedback loop of the output buffer and deactivates the input op amp and AAF CH1FB connected to positive input terminal of op amp CH2FB connected to negative input terminal of op amp
T4	ADC/DAC individual test (with the output buffer)	1111 0011	ADC data	Deactivates the input op amps and AAF INT/HOLD = ADC_Sync OSC <sub>IN</sub> = ADC_SCLK DAC shifted in from SDI terminal
T5	ADC/DAC individual test (without the output buffer)	1111 0100	ADC data	Deactivates the input op amps, AAF, and output buffer INT/HOLD = ADC_Sync OSC <sub>IN</sub> = ADC_SCLK DAC is shifted in from SDI terminal
T6	In-line test to ADC output	1111 0011	ADC data	INT/HOLD = ADC_Sync OSC <sub>IN</sub> = ADC_SCLK DAC shifted in from SDI terminal
T7	Reading of digital clamp flag	1111 1000	Clamp flag D[2:0]	Implies command 6 (advanced SPI mode) D[0]: Gain stage clamp status D[1]: BPF stage clamp status D[2]: INT stage clamp status D=0 => No clamp activated D=1 => Clamp activated

**TYPICAL CHARACTERISTICS**



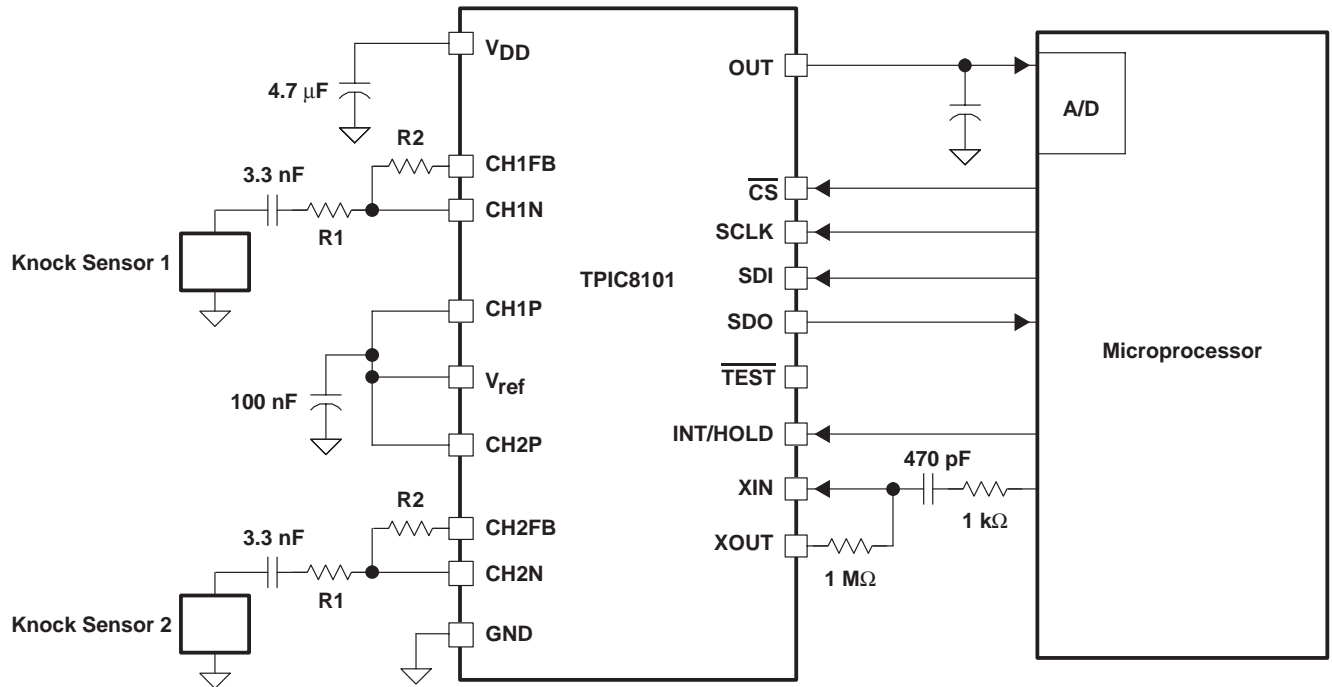
**Figure 3. Amplified Input Signal Process**



**Figure 4. Input Signal Processing**



**application schematic**



NOTE: R1 is greater than 25 kΩ.

**PACKAGING INFORMATION**

Orderable Device	Status <sup>(1)</sup>	Package Type	Package Drawing	Pins	Package Qty	Eco Plan <sup>(2)</sup>	Lead/Ball Finish	MSL Peak Temp <sup>(3)</sup>
TPIC8101DW	ACTIVE	SOIC	DW	20	25	TBD	CU NIPDAU	Level-1-220C-UNLIM
TPIC8101DWG4	ACTIVE	SOIC	DW	20	25	Green (RoHS & no Sb/Br)	NIPDAU	Level-3-260C-168 HR/ Level-1-235C-UNLIM
TPIC8101DWR	ACTIVE	SOIC	DW	20	2000	TBD	CU NIPDAU	Level-1-220C-UNLIM
TPIC8101DWRG4	ACTIVE	SOIC	DW	20	2000	Green (RoHS & no Sb/Br)	CU NIPDAU	Level-3-260C-168 HR/ Level-1-235C-UNLIM

<sup>(1)</sup> The marketing status values are defined as follows:

**ACTIVE:** Product device recommended for new designs.

**LIFEBUY:** TI has announced that the device will be discontinued, and a lifetime-buy period is in effect.

**NRND:** Not recommended for new designs. Device is in production to support existing customers, but TI does not recommend using this part in a new design.

**PREVIEW:** Device has been announced but is not in production. Samples may or may not be available.

**OBSOLETE:** TI has discontinued the production of the device.

<sup>(2)</sup> Eco Plan - The planned eco-friendly classification: Pb-Free (RoHS), Pb-Free (RoHS Exempt), or Green (RoHS & no Sb/Br) - please check <http://www.ti.com/productcontent> for the latest availability information and additional product content details.

**TBD:** The Pb-Free/Green conversion plan has not been defined.

**Pb-Free (RoHS):** TI's terms "Lead-Free" or "Pb-Free" mean semiconductor products that are compatible with the current RoHS requirements for all 6 substances, including the requirement that lead not exceed 0.1% by weight in homogeneous materials. Where designed to be soldered at high temperatures, TI Pb-Free products are suitable for use in specified lead-free processes.

**Pb-Free (RoHS Exempt):** This component has a RoHS exemption for either 1) lead-based flip-chip solder bumps used between the die and package, or 2) lead-based die adhesive used between the die and leadframe. The component is otherwise considered Pb-Free (RoHS compatible) as defined above.

**Green (RoHS & no Sb/Br):** TI defines "Green" to mean Pb-Free (RoHS compatible), and free of Bromine (Br) and Antimony (Sb) based flame retardants (Br or Sb do not exceed 0.1% by weight in homogeneous material)

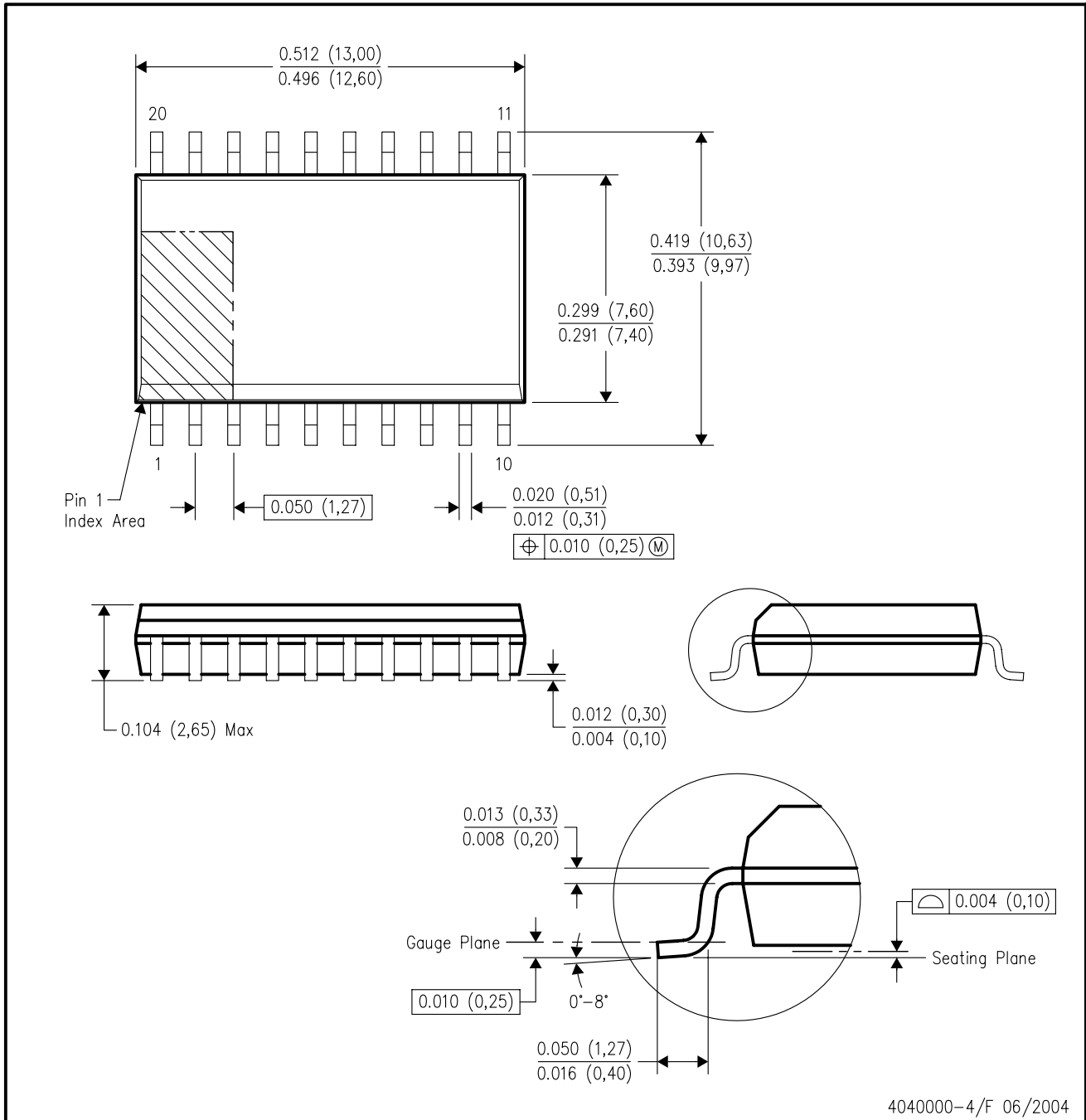
<sup>(3)</sup> MSL, Peak Temp. -- The Moisture Sensitivity Level rating according to the JEDEC industry standard classifications, and peak solder temperature.

**Important Information and Disclaimer:**The information provided on this page represents TI's knowledge and belief as of the date that it is provided. TI bases its knowledge and belief on information provided by third parties, and makes no representation or warranty as to the accuracy of such information. Efforts are underway to better integrate information from third parties. TI has taken and continues to take reasonable steps to provide representative and accurate information but may not have conducted destructive testing or chemical analysis on incoming materials and chemicals. TI and TI suppliers consider certain information to be proprietary, and thus CAS numbers and other limited information may not be available for release.

In no event shall TI's liability arising out of such information exceed the total purchase price of the TI part(s) at issue in this document sold by TI to Customer on an annual basis.

DW (R-PDSO-G20)

PLASTIC SMALL-OUTLINE PACKAGE



- NOTES:
- A. All linear dimensions are in inches (millimeters).
  - B. This drawing is subject to change without notice.
  - C. Body dimensions do not include mold flash or protrusion not to exceed 0.006 (0,15).
  - D. Falls within JEDEC MS-013 variation AC.

## IMPORTANT NOTICE

Texas Instruments Incorporated and its subsidiaries (TI) reserve the right to make corrections, modifications, enhancements, improvements, and other changes to its products and services at any time and to discontinue any product or service without notice. Customers should obtain the latest relevant information before placing orders and should verify that such information is current and complete. All products are sold subject to TI's terms and conditions of sale supplied at the time of order acknowledgment.

TI warrants performance of its hardware products to the specifications applicable at the time of sale in accordance with TI's standard warranty. Testing and other quality control techniques are used to the extent TI deems necessary to support this warranty. Except where mandated by government requirements, testing of all parameters of each product is not necessarily performed.

TI assumes no liability for applications assistance or customer product design. Customers are responsible for their products and applications using TI components. To minimize the risks associated with customer products and applications, customers should provide adequate design and operating safeguards.

TI does not warrant or represent that any license, either express or implied, is granted under any TI patent right, copyright, mask work right, or other TI intellectual property right relating to any combination, machine, or process in which TI products or services are used. Information published by TI regarding third-party products or services does not constitute a license from TI to use such products or services or a warranty or endorsement thereof. Use of such information may require a license from a third party under the patents or other intellectual property of the third party, or a license from TI under the patents or other intellectual property of TI.

Reproduction of TI information in TI data books or data sheets is permissible only if reproduction is without alteration and is accompanied by all associated warranties, conditions, limitations, and notices. Reproduction of this information with alteration is an unfair and deceptive business practice. TI is not responsible or liable for such altered documentation. Information of third parties may be subject to additional restrictions.

Resale of TI products or services with statements different from or beyond the parameters stated by TI for that product or service voids all express and any implied warranties for the associated TI product or service and is an unfair and deceptive business practice. TI is not responsible or liable for any such statements.

TI products are not authorized for use in safety-critical applications (such as life support) where a failure of the TI product would reasonably be expected to cause severe personal injury or death, unless officers of the parties have executed an agreement specifically governing such use. Buyers represent that they have all necessary expertise in the safety and regulatory ramifications of their applications, and acknowledge and agree that they are solely responsible for all legal, regulatory and safety-related requirements concerning their products and any use of TI products in such safety-critical applications, notwithstanding any applications-related information or support that may be provided by TI. Further, Buyers must fully indemnify TI and its representatives against any damages arising out of the use of TI products in such safety-critical applications.

TI products are neither designed nor intended for use in military/aerospace applications or environments unless the TI products are specifically designated by TI as military-grade or "enhanced plastic." Only products designated by TI as military-grade meet military specifications. Buyers acknowledge and agree that any such use of TI products which TI has not designated as military-grade is solely at the Buyer's risk, and that they are solely responsible for compliance with all legal and regulatory requirements in connection with such use.

TI products are neither designed nor intended for use in automotive applications or environments unless the specific TI products are designated by TI as compliant with ISO/TS 16949 requirements. Buyers acknowledge and agree that, if they use any non-designated products in automotive applications, TI will not be responsible for any failure to meet such requirements.

Following are URLs where you can obtain information on other Texas Instruments products and application solutions:

### Products

Amplifiers	<a href="http://amplifier.ti.com">amplifier.ti.com</a>
Data Converters	<a href="http://dataconverter.ti.com">dataconverter.ti.com</a>
DSP	<a href="http://dsp.ti.com">dsp.ti.com</a>
Clocks and Timers	<a href="http://www.ti.com/clocks">www.ti.com/clocks</a>
Interface	<a href="http://interface.ti.com">interface.ti.com</a>
Logic	<a href="http://logic.ti.com">logic.ti.com</a>
Power Mgmt	<a href="http://power.ti.com">power.ti.com</a>
Microcontrollers	<a href="http://microcontroller.ti.com">microcontroller.ti.com</a>
RFID	<a href="http://www.ti-rfid.com">www.ti-rfid.com</a>
RF/IF and ZigBee® Solutions	<a href="http://www.ti.com/lprf">www.ti.com/lprf</a>

### Applications

Audio	<a href="http://www.ti.com/audio">www.ti.com/audio</a>
Automotive	<a href="http://www.ti.com/automotive">www.ti.com/automotive</a>
Broadband	<a href="http://www.ti.com/broadband">www.ti.com/broadband</a>
Digital Control	<a href="http://www.ti.com/digitalcontrol">www.ti.com/digitalcontrol</a>
Medical	<a href="http://www.ti.com/medical">www.ti.com/medical</a>
Military	<a href="http://www.ti.com/military">www.ti.com/military</a>
Optical Networking	<a href="http://www.ti.com/opticalnetwork">www.ti.com/opticalnetwork</a>
Security	<a href="http://www.ti.com/security">www.ti.com/security</a>
Telephony	<a href="http://www.ti.com/telephony">www.ti.com/telephony</a>
Video & Imaging	<a href="http://www.ti.com/video">www.ti.com/video</a>
Wireless	<a href="http://www.ti.com/wireless">www.ti.com/wireless</a>

Mailing Address: Texas Instruments, Post Office Box 655303, Dallas, Texas 75265  
Copyright © 2008, Texas Instruments Incorporated