

Tyco / Electronics
Raychem Circuit Protection
 308 Constitution Drive
 Menlo Park, CA 94025-1164
 Phone: 800-227-4856
 Fax: 800-227-4866

PolySwitch®
PTC Devices
Overcurrent Protection Device

PRODUCT: TR600-150-RB

DOCUMENT: SCD 24064
 PCN: 688511
 REV LETTER: D
 REV DATE: OCTOBER 23, 2002
 PAGE NO.: 1 OF 1

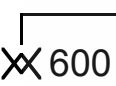

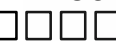
Specification Status: Released

Max Electrical Rating at 20°C

Operating Voltage: 60V_{DC}
Fault Voltage: 600V_{RMS}
Interrupt Current: 3A_{RMS}

Lead Material :
 22 AWG Sn/Pb plated copper

Marking:

 Raychem Logo and Voltage
 150 — Part Identification
 — Lot Identification

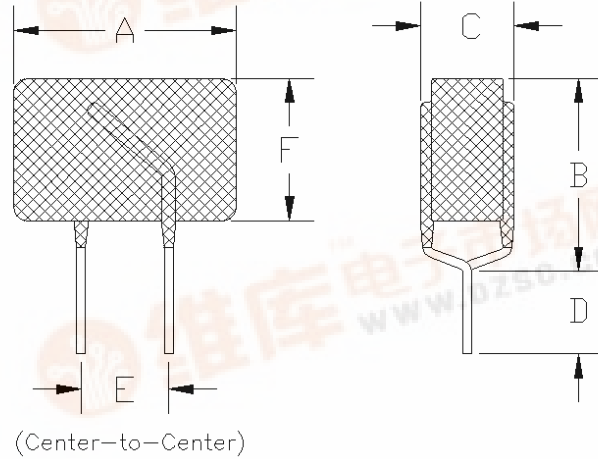


TABLE I. DIMENSIONS:

	A		B		C		D		E NOM	F	
	MIN	MAX	MIN	MAX	MIN	MAX	MIN	MAX		MIN	MAX
mm:	--	13.5	--	12.6	--	6.0	4.7	--	5.0	--	10.0
in:	--	(0.531)	--	(0.496)	--	(0.236)	(0.185)	--	(0.197)	--	(0.394)

TABLE II. PERFORMANCE RATINGS @ 20° C (unless otherwise noted):

I HOLD (A)		RESISTANCE (Ω)			TIME TO TRIP (S) @ 1A TYP	OPERATING TEMPERATURE (°C)	
20° C	60° C	R MIN	R MAX	R _{1 MAX} *		MIN	MAX
0.150	0.090	9.0	12.0	22.0	4.5	-40	85

* Maximum device resistance at 20°C measured 1 hour post-trip.

Storage Temperature: -40° to 85°C

Agency Recognition: UL, CSA

Reference Documents: PS300

Precedence: This specification takes precedence over documents referenced herein.

Effectivity: Reference documents shall be the issue in effect on the date of invitation for bid.

CAUTION: Operation beyond the rated voltage or current may result in rupture, electrical arcing or flame.

