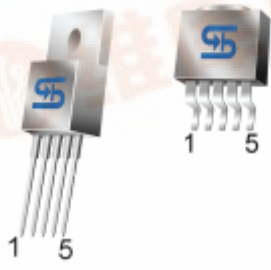
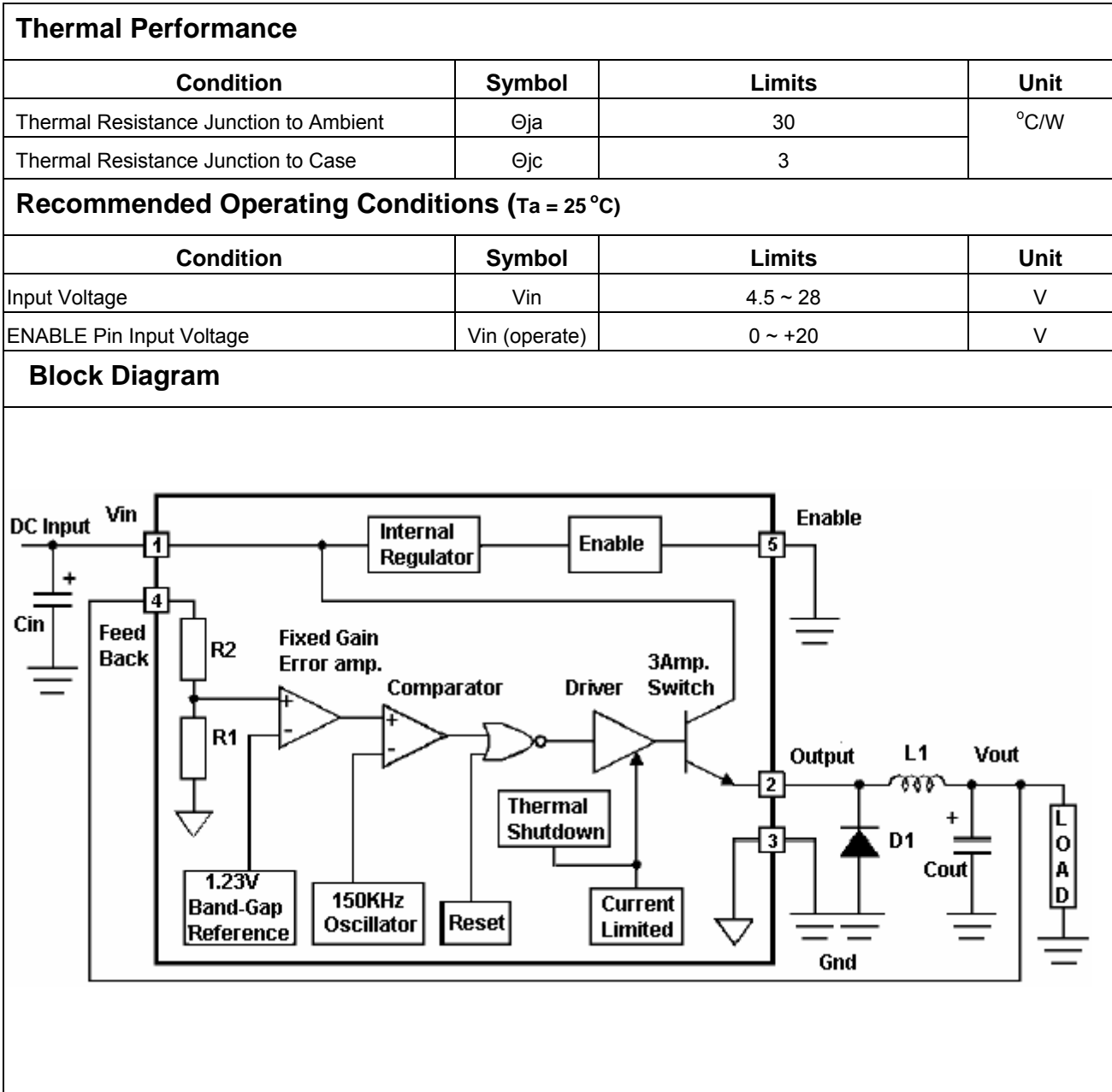
	<h1 style="margin: 0;">TS2596</h1> <h2 style="margin: 0;">3A Step Down Switching Voltage Regulator</h2>	<p style="font-size: 24px; color: gray;">Preliminary</p>									
<p>TO-220-5L TO-263-5L</p> 	<p>Pin assignment:</p> <ol style="list-style-type: none"> 1. Input 2. Output 3. Ground 4. Feedback 5. Enable 	<p>150KHz Oscillating Frequency Output Current up to 3A Enable Input Control</p>									
<h3>General Description</h3> <p>The TS2596 Series are step-down switching regulators with all required active functions. It is capable of driving 3A load with excellent line and load regulations. These devices are available in fixed output voltages of 3.3V, 5V, and an adjustable output version.</p> <p>The TS2596 series operates at a switching frequency of 150kHz thus allowing smaller sized filter components than what would be needed with lower frequency switching regulators. It substantially not only reduces the area of board size but also the size of heat sink, and in some cases no heat sink is required. The $\pm 4\%$ tolerance on output voltage within specified input voltages and output load conditions is guaranteed. Also, the oscillator frequency accuracy is within $\pm 10\%$. External shutdown is included. Featuring 70μA (typical) standby current. The output switch includes cycle-by-cycle current limiting, as well as thermal shutdown for full protection under fault conditions.</p> <p>This series are offered in 5-pin TO-263, TO-220 package.</p>											
<h3>Features</h3> <ul style="list-style-type: none"> ◇ Guaranteed 3A output current ◇ 3.3V, 5V, and adjustable versions ◇ Wide input voltage range, up to 40V ◇ Internal oscillator of 150KHz fixed frequency ◇ Wide adjust version output voltage range, from 1.23V to 25V $\pm 4\%$ max. at over line and load conditions. ◇ Low standby current, typ. 70μA, at shutdown mode ◇ Requires only 4 external components ◇ Thermal shutdown and current limit protection ◇ P+ product enhancement tested 	<h3>Ordering Information</h3> <table border="1" style="width: 100%; border-collapse: collapse; text-align: center;"> <thead> <tr> <th style="width: 25%;">Part No.</th> <th style="width: 40%;">Operating Temp. (Ambient)</th> <th style="width: 35%;">Package</th> </tr> </thead> <tbody> <tr> <td>TS2596CZ5xx</td> <td rowspan="4">-20 ~ +85 °C</td> <td rowspan="2">TO-220-5L</td> </tr> <tr> <td>TS2596CZ5</td> </tr> <tr> <td>TS2596CM5xx</td> <td rowspan="2">TO-263-5L</td> </tr> <tr> <td>TS2596CM5</td> </tr> </tbody> </table> <p>Note: Where xx denotes voltage option, available are 5V and 3.3V. Leave blank for adjustable version. Contact factory for additional voltage options.</p> <h3>Applications</h3> <ul style="list-style-type: none"> ◇ LCD Monitors ◇ ADD-ON Cards Switching Regulators ◇ High Efficiency Step-Down Regulators ◇ Efficient Pre-regulator for Linear Regulator 	Part No.	Operating Temp. (Ambient)	Package	TS2596CZ5 xx	-20 ~ +85 °C	TO-220-5L	TS2596CZ5	TS2596CM5 xx	TO-263-5L	TS2596CM5
Part No.	Operating Temp. (Ambient)	Package									
TS2596CZ5 xx	-20 ~ +85 °C	TO-220-5L									
TS2596CZ5											
TS2596CM5 xx		TO-263-5L									
TS2596CM5											

Absolute Maximum Rating			
Input Voltage	Vin	+40	V
ENABLE Pin Input Voltage	Vin (operate)	$-0.3V \leq V \leq V_{in}$	V
Power Dissipation	P _D	Internal Limited	W
Operating Junction Temperature Range	T _J	-40 ~ +125	°C
Storage Temperature Range	T _{STG}	-65 ~ +150	°C
Lead Soldering Temperature (260 °C)		5	S





Electrical Characteristics

Vin = 12V, IL = 500mA, Ta = 25 °C unless otherwise specified.

Parameter	Conditions	Min	Typ	Max	Unit
TS2596-3.3V					
Output Voltage (Note 1)	0.2A ≤ IL ≤ 3A, 5.07V ≤ Vin ≤ 40V (Figure 1)	0.96 Vo	3.3	1.04 Vo	V
Efficiency	Vin=12V, IL=3A	--	75	--	%
TS2596-5V					
Output Voltage (Note 1)	0.2A ≤ IL ≤ 3A, 8V ≤ Vin ≤ 40V (Figure 1)	0.96 Vo	5.0	1.04 Vo	V
Efficiency	Vin=12V, IL=3A	--	80	--	%



Electrical Characteristics (Continued)					
Vin = 12V, IL = 500mA, Ta = 25°C unless otherwise specified.					
TS2596 Adjustable					
Feedback Voltage (Note 1)	0.2A ≤ IL ≤ 3A, 8V ≤ Vin ≤ 40V, Vout=5V (Figure 2)	0.96 Vo	1.23	1.04 Vo	V
Efficiency	Vin=12V, Vout=5V, IL=3A	--	75	--	%
All Output Voltage Version (Vin= 12V, IL = 500mA)					
Oscillator Frequency (Note 2)		127	150	173	kHz
Quiescent Current (Note 3)		--	5	10	mA
Standby Current	ENABLE =5V	--	70	200	uA
Saturation Voltage (Note 4)	ILOAD=3A	--	1.2	1.5	V
Feedback Bias Current	VOUT=5V (Adj. Version only)	--	50	100	nA
Duty Cycle (Note 5)	Operating (ON)	93	98	--	%
Current Limit (Note 2)(Note 4)		--	4.5	--	A
Output Leakage Current (Note 3)	VOUT=0V	--	0.3	2	mA
	VOUT=-1V	--	7.5	30	
ENABLE Threshold Voltage	VIH (VOUT=0V)	2.0	--	--	V
	VIL(VOUT=Normal Output Voltage)	--	--	0.6	
ENABLE Input Current	IIH (ENABLE =5V)	--	12	30	uA
	IIH (ENABLE =0V)	--	0	10	

Note 1: External components such as the catch diode, inductor, input and output capacitors can affect switching regulator system performance. Refer to Application information for details.

Note 2: The oscillator frequency reduces when the second stage current limit is activated. The amount of reduction is determined by the severity of current over load.

Note 3: For these parameters, FB is removed from VOUT and connected to +12V to force the output transistor OFF.

Note 4: VOUT pin sourcing current. No diode, inductor or capacitor connected to VOUT.

Note 5: FB is removed from VOUT and connected to 0V.

Typical Application Circuit

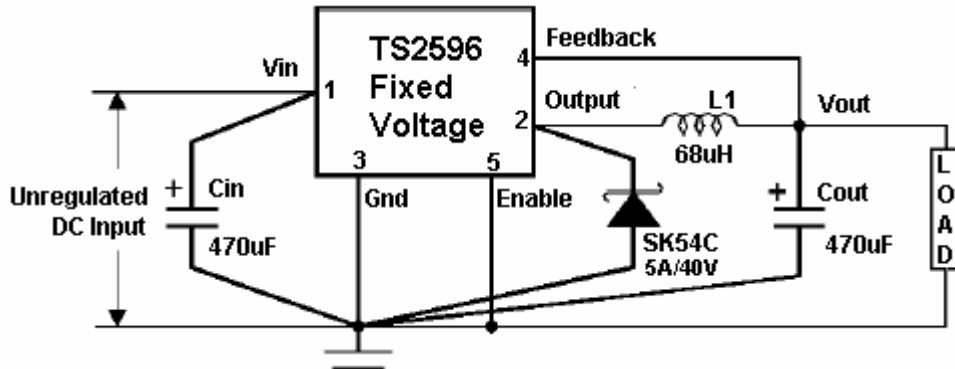


Figure 1 Fixed Voltage Version

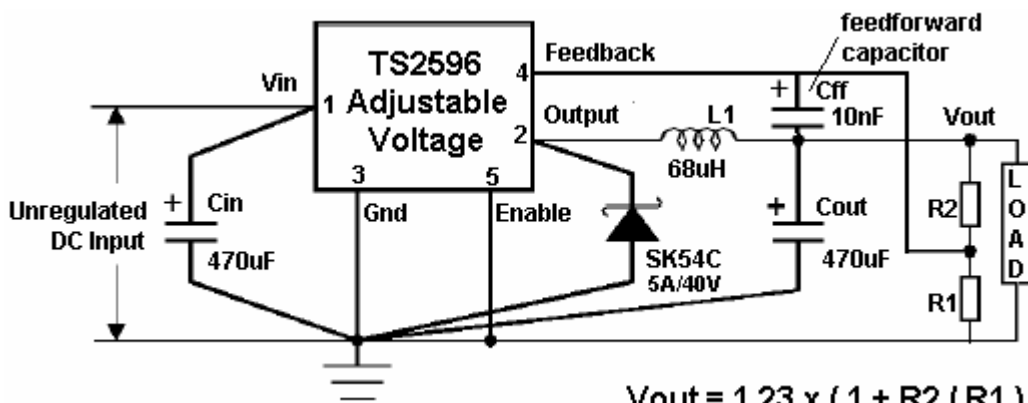


Figure 2: Adjustable Voltage Version

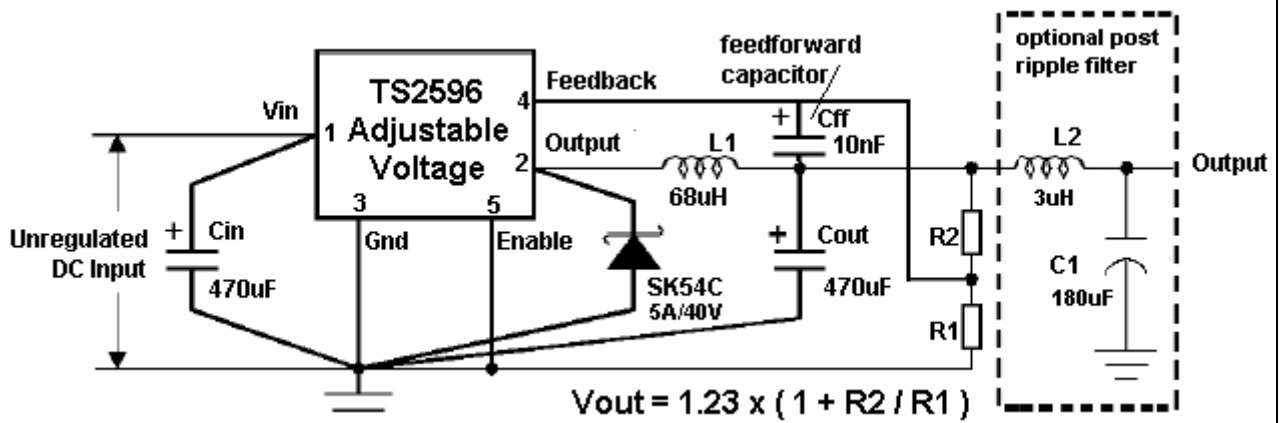


Figure 3: LC filter for Low Output Ripple



Application Data

Quick Design Component Selection Table for Fixed Output

Input / Output Condition			Inductor		Output Capacitor			
Output (V)	Load current (A)	Max. Input voltage (V)	Inductance (uH)	Current (A)	Nichicon PL series		Sprague 595D series	
					uF	V	uF	V
5	3	8	22	3.5	560	25	330	10
		15	33	3.5	330	35	330	10
		25	47	3.5	270	35	330	10
	2	9	22	3.1	470	25	330	10
		15	68	3.1	180	35	270	10
		25	68	3.1	180	35	270	10
3.3	3	5	22	3.5	470	25	390	6.3
		12	22	3.5	560	35	390	6.3
		25	33	3.5	680	35	390	6.3
	2	6	22	3.1	470	25	390	6.3
		12	33	3.1	330	35	390	6.3
		25	47	3.1	330	35	330	10

Quick Design Component Selection Table for Adjustable Output

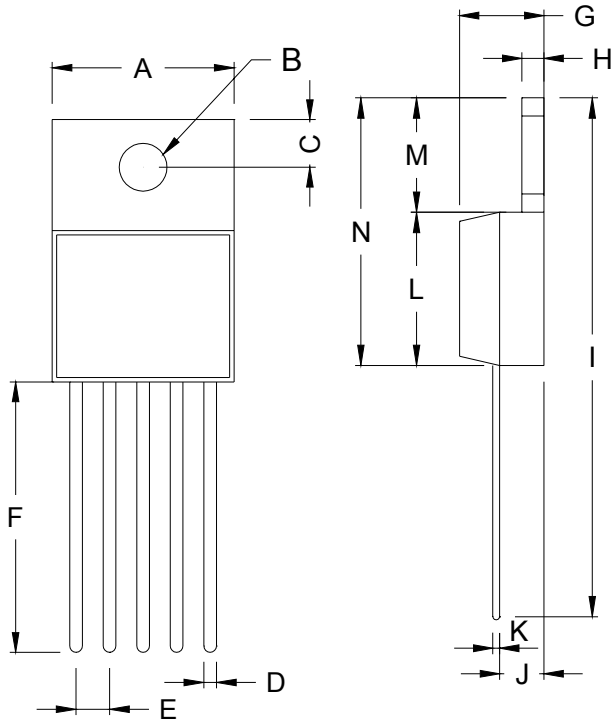
Input / Output Condition Output (V)	Output Capacitor				Feedforward Capacitor	
	Nichicon PL series		Sprague 595D series		Value	Unit
	uF	V	uF	V		
2	820	35	330	10	33	nF
4	470	35	330	10	10	nF
6	470	25	330	10	3.3	nF
9	330	25	330	10	1.5	nF
12	330	25	270	10	1	nF
15	220	35	270	10	680	pF
24	150	35	390	6.3	560	pF

Schottky Diode Selection Table

Reverse Voltage (V)	Forward Rectified Current (4~6A)	
	Surface Mount	Through Hole
20	--	SR502
30	SK53C	SR503
40	SK54C	SR504

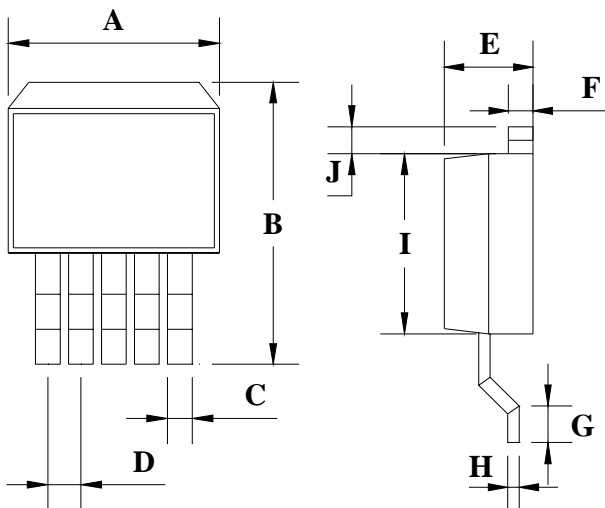
(Taiwan Semiconductor Part Number)

TO-220-5L Mechanical Drawing



TO-220 DIMENSION				
DIM	MILLIMETERS		INCHES	
	MIN	MAX	MIN	MAX
A	10.00	10.50	0.394	0.413
B	3.240	4.440	0.128	0.175
C	2.440	2.940	0.096	0.116
D	0.260	1.020	0.010	0.040
E	1.570	1.830	0.062	0.072
F	13.31	14.13	0.524	0.556
G	4.475	5.225	0.176	0.206
H	1.170	1.370	0.046	0.054
I	27.60	29.44	1.087	1.159
J	2.175	2.925	0.086	0.115
K	0.297	0.477	0.012	0.019
L	8.280	8.800	0.326	0.346
M	6.010	6.510	0.237	0.256
N	14.29	15.31	0.563	0.603

TO-263-5L Mechanical Drawing



TO-263 DIMENSION				
DIM	MILLIMETERS		INCHES	
	MIN	MAX	MIN	MAX
A	10.220	10.260	0.402	0.404
B	14.600	15.870	0.575	0.625
C	0.750	0.770	0.030	0.030
D	1.573	1.827	0.062	0.072
E	4.560	4.570	0.179	0.180
F	1.240	1.270	0.049	0.050
G	2.280	2.790	0.090	0.110
H	0.280	0.320	0.011	0.013
I	8.240	8.280	0.324	0.326
J	1.540	1.800	0.060	0.071