

## Description

The TS5A2053 is a single-pole double-throw (SPDT) analog switch that is designed to operate from 1.65 V to 5.5 V. This device can handle both digital and analog signals, and signals up to  $V_+$  can be transmitted in either direction.

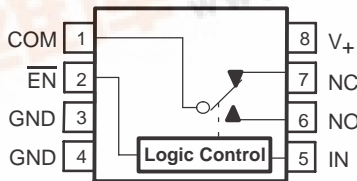
## Applications

- Cell Phones
- Portable Audio Video Equipment
- Battery-Powered Equipment
- Low-Voltage Data Acquisition Systems
- Test Equipment
- Communication Circuits

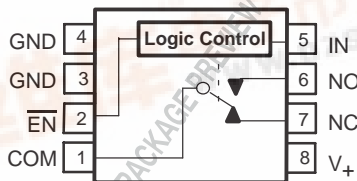
## Features

- Low ON-State Resistance (10 Ω)
- Control Inputs Are 5-V Tolerant
- Low Charge Injection
- Excellent ON-Resistance Matching
- Low Total Harmonic Distortion (THD)
- 1.65-V to 5.5-V Single-Supply Operation
- Latch-Up Performance Exceeds 100 mA Per JESD 78, Class II
- ESD Performance Tested Per JESD 22
  - 2000-V Human-Body Model (A114-B, Class II)
  - 1000-V Charged-Device Model (C101)

SSOP OR VSSOP PACKAGE  
(TOP VIEW)



YEP OR YZP PACKAGE  
(BOTTOM VIEW)



FUNCTION TABLE

$\overline{EN}$	IN	NC TO COM, COM TO NC	NO TO COM, COM TO NO
L	L	ON	OFF
L	H	OFF	ON
H	X	OFF	OFF

## Summary of Characteristics

$V_+ = 5\text{ V}$  and  $T_A = 25\text{ }^\circ\text{C}$

Configuration	Single Pole Double Throw (SPDT)
Number of channels	1
ON-state resistance ( $r_{ON}$ )	7.5 Ω
ON-state resistance match ( $\Delta r_{ON}$ )	0.8 Ω
ON-state resistance flatness ( $r_{ON}(\text{flat})$ )	1.7 Ω
Turn-on/turn-off time ( $t_{ON}/t_{OFF}$ )	6.8 ns/4.1 ns
Charge injection ( $Q_C$ )	3 pC
Bandwidth (BW)	330 MHz
OFF isolation ( $O_{ISO}$ )	-64 dB at 10 MHz
Crosstalk ( $X_{TALK}$ )	-68 dB at 10 MHz
Total harmonic distortion (THD)	0.01%
Leakage current ( $I_{COM}(\text{OFF})$ )	±10 nA
Power-supply current ( $I_+$ )	0.1 μA
Package option	8-pin DSBGA, SSOP, or VSSOP



# TS5A2053 SINGLE-CHANNEL 10-Ω SPDT ANALOG SWITCH WITH ENABLE



SCDS183 – JANUARY 2005

## ORDERING INFORMATION

TA	PACKAGE(1)	ORDERABLE PART NUMBER	TOP-SIDE MARKING(2)	
-40°C to 85°C	NanoStar™ – WCSP (DSBGA) 0.23-mm Large Bump – YEP	Tape and reel		
	NanoFree™ – WCSP (DSBGA) 0.23-mm Large Bump – YZP (Pb-free)			
	TS5A2053YEPR			
	TS5A2053YZPR			
	SSOP – DCT	Tape and reel	TS5A2053DCTR	JAF_ _ _ _
	VSSOP – DCU	Tape and reel	TS5A2053DCUR	JAF_

(1) Package drawings, standard packing quantities, thermal data, symbolization, and PCB design guidelines are available at [www.ti.com/sc/package](http://www.ti.com/sc/package).

(2) DCT: The actual top-side marking has three additional characters that designate the year, month, and assembly/test site.

DCU: The actual top-side marking has one additional character that designates the assembly/test site.

YEP/YZP: The actual top-side marking has three preceding characters to denote year, month, and sequence code, and one following character to designate the assembly/test site. Pin 1 identifier indicates solder-bump composition (1 = SnPb, ● = Pb-free).

## Absolute Minimum and Maximum Ratings(1)(2)

over operating free-air temperature range (unless otherwise noted)

		MIN	MAX	UNIT
V <sub>+</sub>	Supply voltage range(3)	-0.5	6.5	V
V <sub>NO</sub> V <sub>NC</sub> V <sub>COM</sub>	Analog voltage range(3)(4)(5)	-0.5	V <sub>+</sub> + 0.5	V
I <sub>K</sub>	Analog port diode current	V <sub>NC</sub> , V <sub>NO</sub> , V <sub>COM</sub> < 0 or V <sub>NO</sub> , V <sub>NC</sub> , V <sub>COM</sub> > V <sub>+</sub>		mA
I <sub>NO</sub> I <sub>NC</sub> I <sub>COM</sub>	On-state switch current	V <sub>NC</sub> , V <sub>NO</sub> , V <sub>COM</sub> = 0 to V <sub>+</sub>		mA
V <sub>I</sub>	Digital input voltage range(3)(4)	-0.5	6.5	V
I <sub>I<sub>K</sub></sub>	Digital input clamp current	V <sub>I</sub> < 0		mA
I <sub>+</sub>	Continuous current through V <sub>+</sub>		100	mA
I <sub>GND</sub>	Continuous current through GND	-100		mA
θ <sub>JA</sub>	Package thermal impedance(6)	DCT package		220
		DCU package		227
		YEP/YZP package		102
T <sub>stg</sub>	Storage temperature range	-65	150	°C

(1) Stresses above these ratings may cause permanent damage. Exposure to absolute maximum conditions for extended periods may degrade device reliability. These are stress ratings only, and functional operation of the device at these or any other conditions beyond those specified is not implied.

(2) The algebraic convention, whereby the most negative value is a minimum and the most positive value is a maximum

(3) All voltages are with respect to ground, unless otherwise specified.

(4) The input and output voltage ratings may be exceeded if the input and output clamp-current ratings are observed.

(5) This value is limited to 5.5 V maximum.

(6) The package thermal impedance is calculated in accordance with JESD 51-7.

### Electrical Characteristics for 5-V Supply<sup>(1)</sup>

$V_+ = 4.5\text{ V to }5.5\text{ V}$ ,  $T_A = -40^\circ\text{C to }85^\circ\text{C}$  (unless otherwise noted)

PARAMETER	SYMBOL	TEST CONDITIONS	$T_A$	$V_+$	MIN	TYP	MAX	UNIT
<b>Analog Switch</b>								
Analog signal range	$V_{COM}, V_{NO}, V_{NC}$				0		$V_+$	V
ON-state resistance	$r_{on}$	$0 \leq (V_{NO} \text{ or } V_{NC}) \leq V_+$ , $I_{COM} = -32\text{ mA}$ , Switch ON, See Figure 13	25°C Full	4.5 V		7.5	13.8 16	$\Omega$
ON-state resistance match between channels	$\Delta r_{on}$	$V_{NO} \text{ or } V_{NC} = 3.15\text{ V}$ , $I_{COM} = -32\text{ mA}$ , Switch ON, See Figure 13	25°C Full	4.5 V		0.8	3 4.5	$\Omega$
ON-state resistance flatness	$r_{on(flat)}$	$0 \leq (V_{NO} \text{ or } V_{NC}) \leq V_+$ , $I_{COM} = -32\text{ mA}$ , Switch ON, See Figure 13	25°C Full	4.5 V		1.7	2 4.5	$\Omega$
NO, NC OFF leakage current	$I_{NO(OFF)}, I_{NC(OFF)}$	$V_{NO} \text{ or } V_{NC} = 1\text{ V}$ , $V_{COM} = 4.5\text{ V}$ , or $V_{NO} \text{ or } V_{NC} = 4.5\text{ V}$ , $V_{COM} = 1\text{ V}$ , Switch OFF, See Figure 14	25°C Full	5.5 V	-20	5	20 20	nA
COM OFF leakage current	$I_{COM(OFF)}$	$V_{COM} = 1\text{ V}$ , $V_{NO} \text{ or } V_{NC} = 4.5\text{ V}$ , or $V_{COM} = 4.5\text{ V}$ , $V_{NO} \text{ or } V_{NC} = 1\text{ V}$ , Switch OFF, See Figure 14	25°C Full	5.5 V	-10	-1	10 10	nA
NO, NC ON leakage current	$I_{NO(ON)}, I_{NC(ON)}$	$V_{NO} = 1\text{ V}, V_{COM} = \text{Open}$ , or $V_{NO} = 4.5\text{ V}, V_{COM} = \text{Open}$ , Switch ON, See Figure 15	25°C Full	5.5 V	-10	5.5	10 20	nA
COM ON leakage current	$I_{COM(ON)}$	$V_{COM} = 1\text{ V}$ , $V_{NO} \text{ or } V_{NC} = \text{Open}$ , or $V_{COM} = 4.5\text{ V}$ , $V_{NO} \text{ or } V_{NC} = \text{Open}$ , Switch ON, See Figure 15	25°C Full	5.5 V	-5	-1	5 10	nA
<b>Digital Control Inputs (<math>I_N, \overline{EN}</math>)</b>								
Input logic high	$V_{IH}$		Full		$V_+ \times 0.7$		5.5	V
Input logic low	$V_{IL}$		Full		0		$V_+ \times 0.3$	V
Input leakage current	$I_{IH}, I_{IL}$	$V_I = 5.5\text{ V or }0$	25°C Full	5.5 V	-0.1	0.05	0.1 1	$\mu\text{A}$

(1) The algebraic convention, whereby the most negative value is a minimum and the most positive value is a maximum

# TS5A2053 SINGLE-CHANNEL 10-Ω SPDT ANALOG SWITCH WITH ENABLE



SCDS183 – JANUARY 2005

## Electrical Characteristics for 5-V Supply<sup>(1)</sup> (continued)

$V_+ = 4.5\text{ V to }5.5\text{ V}$ ,  $T_A = -40^\circ\text{C to }85^\circ\text{C}$  (unless otherwise noted)

PARAMETER	SYMBOL	TEST CONDITIONS	$T_A$	$V_+$	MIN	TYP	MAX	UNIT	
<b>Dynamic</b>									
Turn-on time	$t_{ON}$	$V_{COM} = 3\text{ V}$ , $R_L = 300\ \Omega$ ,	$C_L = 35\text{ pF}$ , See Figure 17	25°C	5 V	3.8	5.3	6.8	ns
				Full	4.5 V to 5.5 V	3		7.1	
Turn-off time	$t_{OFF}$	$V_{COM} = 3\text{ V}$ , $R_L = 300\ \Omega$ ,	$C_L = 35\text{ pF}$ , See Figure 17	25°C	5 V	0.8	1.9	4.1	ns
				Full	4.5 V to 5.5 V	0.4		4.5	
Charge injection	$Q_C$	$V_{GEN} = 0$ , $R_{GEN} = 0$ ,	$C_L = 0.1\text{ nF}$ , See Figure 21	25°C	5 V		3	pC	
NO, NC OFF capacitance	$C_{NO(OFF)}$ , $C_{NC(OFF)}$	$V_{NO}$ or $V_{NC} = V_+$ or GND, Switch OFF,	See Figure 16	25°C	5 V		6	pF	
COM OFF capacitance	$C_{COM(OFF)}$	$V_{COM} = V_+$ or GND, Switch OFF,	See Figure 16	25°C	5 V		9.5	pF	
NO, NC ON capacitance	$C_{NO(ON)}$ , $C_{NC(ON)}$	$V_{NO}$ or $V_{NC} = V_+$ or GND, Switch ON,	See Figure 16	25°C	5 V		18	pF	
COM ON capacitance	$C_{COM(ON)}$	$V_{COM} = V_+$ or GND, Switch ON,	See Figure 16	25°C	5 V		18	pF	
Digital input capacitance	$C_I$	$V_I = V_+$ or GND,	See Figure 16	25°C	5 V		2.5	pF	
Bandwidth	BW	$R_L = 50\ \Omega$ , Switch ON,	See Figure 18	25°C	5 V		330	MHz	
OFF isolation	$O_{ISO}$	$R_L = 50\ \Omega$ , $f = 10\text{ MHz}$ ,	Switch OFF, See Figure 19	25°C	5 V		-64	dB	
Crosstalk	X-TALK	$R_L = 50\ \Omega$ , $f = 10\text{ MHz}$ ,	Switch ON, See Figure 20	25°C	5 V		-68	dB	
Total harmonic distortion	THD	$R_L = 600\ \Omega$ , $C_L = 50\text{ pF}$ ,	$f = 20\text{ Hz to }20\text{ kHz}$ , See Figure 22	25°C	5 V		0.01	%	
<b>Supply</b>									
Positive supply current	$I_+$	$V_I = V_+$ or GND,	Switch ON or OFF	25°C	5.5 V	0.1	1	$\mu\text{A}$	
				Full			5		

(1) The algebraic convention, whereby the most negative value is a minimum and the most positive value is a maximum

### Electrical Characteristics for 3.3-V Supply<sup>(1)</sup>

$V_+ = 3\text{ V to }3.6\text{ V}$ ,  $T_A = -40^\circ\text{C to }85^\circ\text{C}$  (unless otherwise noted)

PARAMETER	SYMBOL	TEST CONDITIONS	$T_A$	$V_+$	MIN	TYP	MAX	UNIT
<b>Analog Switch</b>								
Analog signal range	$V_{COM}$ , $V_{NO}$ , $V_{NC}$				0		$V_+$	V
ON-state resistance	$r_{on}$	$0 \leq (V_{NO} \text{ or } V_{NC}) \leq V_+$ , $I_{COM} = -24\text{ mA}$ ,	Switch ON, See Figure 13	25°C Full	3 V	13.2	13.8 16	Ω
ON-state resistance match between channels	$\Delta r_{on}$	$V_{NO} \text{ or } V_{NC} = 2.1\text{ V}$ , $I_{COM} = -24\text{ mA}$ ,	Switch ON, See Figure 13	25°C Full	3 V	1	3 5.5	Ω
ON-state resistance flatness	$r_{on(flat)}$	$0 \leq (V_{NO} \text{ or } V_{NC}) \leq V_+$ , $I_{COM} = -24\text{ mA}$ ,	Switch ON, See Figure 13	25°C Full	3 V	5.3	7 11	Ω
NO, NC OFF leakage current	$I_{NO(OFF)}$ , $I_{NC(OFF)}$	$V_{NO} \text{ or } V_{NC} = 1\text{ V}$ , $V_{COM} = 3\text{ V}$ , or $V_{NO} \text{ or } V_{NC} = 3\text{ V}$ , $V_{COM} = 1\text{ V}$ ,	Switch OFF, See Figure 14	25°C Full	3.6 V	-20	4 20	nA
COM OFF leakage current	$I_{COM(OFF)}$	$V_{COM} = 1\text{ V}$ , $V_{NO} \text{ or } V_{NC} = 3\text{ V}$ , or $V_{COM} = 3\text{ V}$ , $V_{NO} \text{ or } V_{NC} = 1\text{ V}$ ,	Switch OFF, See Figure 14	25°C Full	3.6 V	-10	-1 10	nA
NO, NC ON leakage current	$I_{NO(ON)}$ , $I_{NC(ON)}$	$V_{NO} \text{ or } V_{NC} = 1\text{ V}$ , $V_{COM} = \text{Open}$ , or $V_{NO} \text{ or } V_{NC} = 3\text{ V}$ , $V_{COM} = \text{Open}$ ,	Switch ON, See Figure 15	25°C Full	3.6 V	-10	4.5 20	nA
COM ON leakage current	$I_{COM(ON)}$	$V_{COM} = 1\text{ V}$ , $V_{NO} \text{ or } V_{NC} = \text{Open}$ , or $V_{COM} = 3\text{ V}$ , $V_{NO} \text{ or } V_{NC} = \text{Open}$ ,	Switch ON, See Figure 15	25°C Full	3.6 V	-5	-1 5 10	nA
<b>Digital Control Inputs (<math>I_N</math>, <math>\overline{EN}</math>)</b>								
Input logic high	$V_{IH}$			Full		$V_+ \times 0.7$	5.5	V
Input logic low	$V_{IL}$			Full		0	$V_+ \times 0.3$	V
Input leakage current	$I_{IH}$ , $I_{IL}$	$V_I = 5.5\text{ V or }0$		25°C Full	3.6 V	-0.1	0.05 0.1 1	μA

(1) The algebraic convention, whereby the most negative value is a minimum and the most positive value is a maximum

# TS5A2053 SINGLE-CHANNEL 10-Ω SPDT ANALOG SWITCH WITH ENABLE



SCDS183 – JANUARY 2005

## Electrical Characteristics for 3.3-V Supply<sup>(1)</sup> (continued)

$V_+ = 3\text{ V to }3.6\text{ V}$ ,  $T_A = -40^\circ\text{C to }85^\circ\text{C}$  (unless otherwise noted)

PARAMETER	SYMBOL	TEST CONDITIONS	$T_A$	$V_+$	MIN	TYP	MAX	UNIT	
<b>Dynamic</b>									
Turn-on time	$t_{ON}$	$V_{COM} = 2\text{ V}$ , $R_L = 300\ \Omega$ ,	$C_L = 35\text{ pF}$ , See Figure 17	25°C	3.3 V	5	6.4	7.9	ns
				Full	3 V to 3.6 V	4.5		8.2	
Turn-off time	$t_{OFF}$	$V_{COM} = 2\text{ V}$ , $R_L = 300\ \Omega$ ,	$C_L = 35\text{ pF}$ , See Figure 17	25°C	3.3 V	1.1	2.4	4.7	ns
				Full	3 V to 3.6 V	0.3		5	
Charge injection	$Q_C$	$V_{GEN} = 0$ , $R_{GEN} = 0$ ,	$C_L = 0.1\text{ nF}$ , See Figure 21	25°C	3.3 V		1	pC	
NO, NC OFF capacitance	$C_{NO(OFF)}$	$V_{NO}$ or $V_{NC} = V_+$ or GND, Switch OFF,	See Figure 16	25°C	3.3 V		6	pF	
COM OFF capacitance	$C_{COM(OFF)}$	$V_{COM} = V_+$ or GND, Switch OFF,	See Figure 16	25°C	3.3 V		9.5	pF	
NO, NC ON capacitance	$C_{NO(ON)}$	$V_{NO}$ or $V_{NC} = V_+$ or GND, Switch ON,	See Figure 16	25°C	3.3 V		18.5	pF	
COM ON capacitance	$C_{COM(ON)}$	$V_{COM} = V_+$ or GND, Switch ON,	See Figure 16	25°C	3.3 V		18.5	pF	
Digital input capacitance	$C_I$	$V_I = V_+$ or GND,	See Figure 16	25°C	3.3 V		3	pF	
Bandwidth	BW	$R_L = 50\ \Omega$ , Switch ON,	See Figure 18	25°C	3.3 V		320	MHz	
OFF isolation	$O_{ISO}$	$R_L = 50\ \Omega$ , $f = 10\text{ MHz}$ ,	Switch OFF, See Figure 19	25°C	3.3 V		-64	dB	
Crosstalk	$X_{TALK}$	$R_L = 50\ \Omega$ , $f = 10\text{ MHz}$ ,	Switch ON, See Figure 20	25 °C	3.3 V		-68	dB	
Total harmonic distortion	THD	$R_L = 600\ \Omega$ , $C_L = 50\text{ pF}$ ,	$f = 20\text{ Hz to }20\text{ kHz}$ , See Figure 22	25°C	3.3 V		0.035	%	
<b>Supply</b>									
Positive supply current	$I_+$	$V_I = V_+$ or GND,	Switch ON or OFF	25°C	3.6 V	0.1		1	$\mu\text{A}$
				Full				5	

(1) The algebraic convention, whereby the most negative value is a minimum and the most positive value is a maximum

### Electrical Characteristics for 2.5-V Supply<sup>(1)</sup>

$V_+ = 2.3 \text{ V to } 2.7 \text{ V}$ ,  $T_A = -40^\circ\text{C to } 85^\circ\text{C}$  (unless otherwise noted)

PARAMETER	SYMBOL	TEST CONDITIONS	$T_A$	$V_+$	MIN	TYP	MAX	UNIT
<b>Analog Switch</b>								
Analog signal range	$V_{COM}$ , $V_{NO}$ , $V_{NC}$				0		$V_+$	V
ON-state resistance	$r_{on}$	$0 \leq (V_{NO} \text{ or } V_{NC}) \leq V_+$ , $I_{COM} = -8 \text{ mA}$ , Switch ON, See Figure 13	25°C Full	2.3 V		20	28 30	Ω
ON-state resistance match between channels	$\Delta r_{on}$	$V_{NO} \text{ or } V_{NC} = 1.6 \text{ V}$ , $I_{COM} = -8 \text{ mA}$ , Switch ON, See Figure 13	25°C Full	2.3 V		1.1	3 6	Ω
ON-state resistance flatness	$r_{on(flat)}$	$0 \leq (V_{NO} \text{ or } V_{NC}) \leq V_+$ , $I_{COM} = -8 \text{ mA}$ , Switch ON, See Figure 13	25°C Full	2.3 V		15	16 20	Ω
NO, NC OFF leakage current	$I_{NO(OFF)}$ , $I_{NC(OFF)}$	$V_{NO} \text{ or } V_{NC} = 0.5 \text{ V}$ , $V_{COM} = 2.2 \text{ V}$ , or $V_{NO} \text{ or } V_{NC} = 2.2 \text{ V}$ , $V_{COM} = 0.5 \text{ V}$ , Switch OFF, See Figure 14	25°C Full	2.7 V	-20	3.5	20 20	nA
COM OFF leakage current	$I_{COM(OFF)}$	$V_{COM} = 0.5 \text{ V}$ , $V_{NO} \text{ or } V_{NC} = 2.2 \text{ V}$ , or $V_{COM} = 2.2 \text{ V}$ , $V_{NO} \text{ or } V_{NC} = 0.5 \text{ V}$ , Switch OFF, See Figure 14	25°C Full	2.7 V	-10	-2	10 10	nA
NO, NC ON leakage current	$I_{NO(ON)}$ , $I_{NC(ON)}$	$V_{NO} \text{ or } V_{NC} = 0.5 \text{ V}$ , $V_{COM} = \text{Open}$ , or $V_{NO} \text{ or } V_{NC} = 2.2 \text{ V}$ , $V_{COM} = \text{Open}$ , Switch ON, See Figure 15	25°C Full	2.7 V	-10	4	10 20	nA
COM ON leakage current	$I_{COM(ON)}$	$V_{COM} = 0.5 \text{ V}$ , $V_{NO} \text{ or } V_{NC} = \text{Open}$ , or $V_{COM} = 2.2 \text{ V}$ , $V_{NO} \text{ or } V_{NC} = \text{Open}$ , Switch ON, See Figure 15	25°C Full	2.7 V	-5	-2	5 10	nA
<b>Digital Control Inputs (<math>I_N</math>, <math>\overline{EN}</math>)</b>								
Input logic high	$V_{IH}$		Full		$V_+ \times 0.7$		5.5	V
Input logic low	$V_{IL}$		Full		0		$V_+ \times 0.3$	V
Input leakage current	$I_{IH}$ , $I_{IL}$	$V_I = 5.5 \text{ V or } 0$	25°C Full	2.7 V	-0.1	0.05	0.1 1	μA

(1) The algebraic convention, whereby the most negative value is a minimum and the most positive value is a maximum

# TS5A2053 SINGLE-CHANNEL 10-Ω SPDT ANALOG SWITCH WITH ENABLE



SCDS183 – JANUARY 2005

## Electrical Characteristics for 2.5-V Supply<sup>(1)</sup> (continued)

$V_+ = 2.3 \text{ V to } 2.7 \text{ V}$ ,  $T_A = -40^\circ\text{C to } 85^\circ\text{C}$  (unless otherwise noted)

PARAMETER	SYMBOL	TEST CONDITIONS	$T_A$	$V_+$	MIN	TYP	MAX	UNIT	
<b>Dynamic</b>									
Turn-on time	$t_{ON}$	$V_{COM} = 1.5 \text{ V}$ , $R_L = 300 \Omega$ ,	$C_L = 35 \text{ pF}$ , See Figure 17	25°C	2.5 V	5.9	7.1	9.3	ns
				Full	2.3 V to 2.7 V	5.1		10	
Turn-off time	$t_{OFF}$	$V_{COM} = 1.5 \text{ V}$ , $R_L = 300 \Omega$ ,	$C_L = 35 \text{ pF}$ , See Figure 17	25°C	2.5 V	2.1	3.2	5.1	ns
				Full	2.3 V to 2.7 V	1.2		5.2	
Charge injection	$Q_C$	$V_{GEN} = 0$ , $R_{GEN} = 0$	$C_L = 0.1 \text{ nF}$ , See Figure 21	25°C	2.5 V	0.5		pC	
NO, NC OFF capacitance	$C_{NO(OFF)}$ $C_{NC(OFF)}$	$V_{NO}$ or $V_{NC} = V_+$ or GND, Switch OFF,	See Figure 16	25°C	2.5 V	6.5		pF	
COM OFF capacitance	$C_{COM(OFF)}$	$V_{COM} = V_+$ or GND, Switch OFF,	See Figure 16	25°C	2.5 V	10		pF	
NO, NC ON capacitance	$C_{NO(ON)}$ $C_{NC(ON)}$	$V_{NO}$ or $V_{NC} = V_+$ or GND, Switch ON,	See Figure 16	25°C	2.5 V	18.5		pF	
COM ON capacitance	$C_{COM(ON)}$	$V_{COM} = V_+$ or GND, Switch ON,	See Figure 16	25°C	2.5 V	18.5		pF	
Digital input capacitance	$C_I$	$V_I = V_+$ or GND,	See Figure 16	25°C	2.5 V	3		pF	
Bandwidth	BW	$R_L = 50 \Omega$ , Switch ON,	See Figure 18	25°C	2.5 V	320		MHz	
OFF isolation	$O_{ISO}$	$R_L = 50 \Omega$ , $f = 10 \text{ MHz}$ ,	Switch OFF, See Figure 19	25°C	2.5 V	-64		dB	
Crosstalk	$X_{TALK}$	$R_L = 50 \Omega$ , $f = 10 \text{ MHz}$ ,	Switch ON, See Figure 20	25 °C	2.5 V	-68		dB	
Total harmonic distortion	THD	$R_L = 600 \Omega$ , $C_L = 50 \text{ pF}$ ,	$f = 20 \text{ Hz to } 20 \text{ kHz}$ , See Figure 22	25°C	2.5 V	0.26		%	
<b>Supply</b>									
Positive supply current	$I_+$	$V_I = V_+$ or GND,	Switch ON or OFF	25°C	2.7 V	0.1		1	$\mu\text{A}$
				Full		5			

(1) The algebraic convention, whereby the most negative value is a minimum and the most positive value is a maximum



### Electrical Characteristics for 1.8-V Supply<sup>(1)</sup>

$V_+ = 1.65\text{ V to }1.95\text{ V}$ ,  $T_A = -40^\circ\text{C to }85^\circ\text{C}$  (unless otherwise noted)

PARAMETER	SYMBOL	TEST CONDITIONS	$T_A$	$V_+$	MIN	TYP	MAX	UNIT
<b>Analog Switch</b>								
Analog signal range	$V_{COM}, V_{NO}, V_{NC}$				0		$V_+$	V
ON-state resistance	$r_{on}$	$0 \leq (V_{NO} \text{ or } V_{NC}) \leq V_+$ , $I_{COM} = -4\text{ mA}$ ,	Switch ON, See Figure 13	25°C Full	1.65 V	85	90 105	Ω
ON-state resistance match between channels	$\Delta r_{on}$	$V_{NO} \text{ or } V_{NC} = 1.15\text{ V}$ , $I_{COM} = -4\text{ mA}$ ,	Switch ON, See Figure 13	25°C Full	1.65 V	2	4 7.5	Ω
ON-state resistance flatness	$r_{on(Flat)}$	$0 \leq (V_{NO} \text{ or } V_{NC}) \leq V_+$ , $I_{COM} = -4\text{ mA}$ ,	Switch ON, See Figure 13	25°C Full	1.65 V	76	85 100	Ω
NO, NC OFF leakage current	$I_{NO(OFF)}, I_{NC(OFF)}$	$V_{NO} \text{ or } V_{NC} = 0.3\text{ V}$ , $V_{COM} = 1.65\text{ V}$ , or $V_{NO} \text{ or } V_{NC} = 1.65\text{ V}$ , $V_{COM} = 0.3\text{ V}$ ,	Switch OFF, See Figure 14	25°C Full	1.95 V	-20	3.5 20	μA
COM OFF leakage current	$I_{COM(OFF)}$	$V_{COM} = 0.3\text{ V}$ , $V_{NO} = 1.65\text{ V}$ , or $V_{COM} = 1.65\text{ V}$ , $V_{NO} = 0.3\text{ V}$ ,	Switch OFF, See Figure 14	25°C Full	1.95 V	-10	1 10	μA
NO, NC ON leakage current	$I_{NO(ON)}, I_{NC(ON)}$	$V_{NO} \text{ or } V_{NC} = 0.3\text{ V}$ , $V_{COM} = \text{Open}$ , or $V_{NO} \text{ or } V_{NC} = 1.65\text{ V}$ , $V_{COM} = \text{Open}$ ,	Switch ON, See Figure 15	25°C Full	1.95 V	-10	4 10	μA
COM ON leakage current	$I_{COM(ON)}$	$V_{COM} = 0.3\text{ V}$ , $V_{NO} \text{ or } V_{NC} = \text{Open}$ , or $V_{COM} = 1.65\text{ V}$ , $V_{NO} \text{ or } V_{NC} = \text{Open}$ ,	Switch ON, See Figure 15	25°C Full	1.95 V	-5	1 5	μA
<b>Digital Control Inputs (<math>I_N, \bar{E}_N</math>)</b>								
Input logic high	$V_{IH}$			Full		$V_+ \times 0.65$	5.5	V
Input logic low	$V_{IL}$			Full		0	$V_+ \times 0.35$	V
Input leakage current	$I_{IH}, I_{IL}$	$V_I = 5.5\text{ V or }0$		25°C Full	1.95 V	-0.1	0.05 0.1	μA

(1) The algebraic convention, whereby the most negative value is a minimum and the most positive value is a maximum

# TS5A2053 SINGLE-CHANNEL 10-Ω SPDT ANALOG SWITCH WITH ENABLE



SCDS183 – JANUARY 2005

## Electrical Characteristics for 1.8-V Supply<sup>(1)</sup> (continued)

$V_+ = 1.65\text{ V to }1.95\text{ V}$ ,  $T_A = -40^\circ\text{C to }85^\circ\text{C}$  (unless otherwise noted)

PARAMETER	SYMBOL	TEST CONDITIONS	$T_A$	$V_+$	MIN	TYP	MAX	UNIT
<b>Dynamic</b>								
Turn-on time	$t_{ON}$	$V_{COM} = 1.3\text{ V}$ , $R_L = 300\ \Omega$ , $C_L = 35\text{ pF}$ , See Figure 17	25°C	1.8 V	10.2	11.8	14.5	ns
			Full	1.65 V to 1.95 V	8.4		15.5	
Turn-off time	$t_{OFF}$	$V_{COM} = 1.3\text{ V}$ , $R_L = 300\ \Omega$ , $C_L = 35\text{ pF}$ , See Figure 17	25°C	1.8 V	2.9	4.3	6.5	ns
			Full	1.65 V to 1.95 V	2.2		7	
Charge injection	$Q_C$	$V_{GEN} = 0$ , $R_{GEN} = 0$ , $C_L = 0.1\text{ nF}$ , See Figure 21	25°C	1.8 V		0.5		pC
NO, NC OFF capacitance	$C_{NO(OFF)}$ , $C_{NC(OFF)}$	$V_{NO}$ or $V_{NC} = V_+$ or GND, Switch OFF, See Figure 16	25°C	1.8 V		6.5		pF
COM OFF capacitance	$C_{COM(OFF)}$	$V_{COM} = V_+$ or GND, Switch OFF, See Figure 16	25°C	1.8 V		10		pF
NO, NC ON capacitance	$C_{NO(ON)}$ , $C_{NC(ON)}$	$V_{NO}$ or $V_{NC} = V_+$ or GND, Switch ON, See Figure 16	25°C	1.8 V		19		pF
COM ON capacitance	$C_{COM(ON)}$	$V_{COM} = V_+$ or GND, Switch ON, See Figure 16	25°C	1.8 V		14		pF
Digital input capacitance	$C_I$	$V_I = V_+$ or GND, See Figure 16	25°C	1.8 V		3		pF
Bandwidth	BW	$R_L = 50\ \Omega$ , Switch ON, See Figure 18	25°C	1.8 V		320		MHz
OFF isolation	$O_{ISO}$	$R_L = 50\ \Omega$ , $f = 10\text{ MHz}$ , Switch OFF, See Figure 19	25°C	1.8 V		-64		dB
Crosstalk	X <sub>TALK</sub>	$R_L = 50\ \Omega$ , $f = 10\text{ MHz}$ , Switch ON, See Figure 20	25 °C	1.8 V		-68		dB
Total harmonic distortion	THD	$R_L = 10\text{ k}\Omega$ , $C_L = 50\text{ pF}$ , $f = 20\text{ Hz to }20\text{ kHz}$ , See Figure 22	25°C	1.8 V		2.6		%
<b>Supply</b>								
Positive supply current	$I_+$	$V_I = V_+$ or GND, Switch ON or OFF	25°C	1.95 V	0.1		1	$\mu\text{A}$
			Full				5	

(1) The algebraic convention, whereby the most negative value is a minimum and the most positive value is a maximum

**TYPICAL PERFORMANCE**

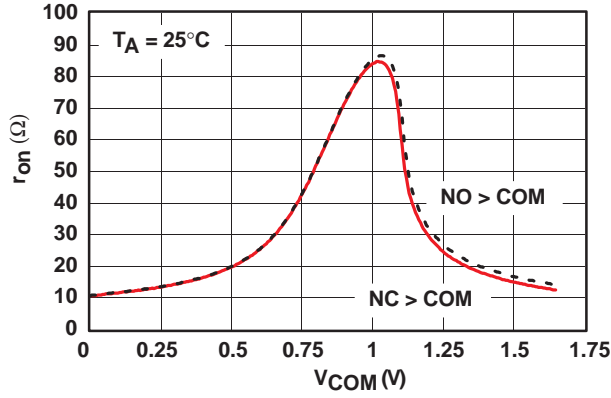


Figure 1A.  $r_{on}$  vs  $V_{COM}$  ( $V_+ = 1.65$  V)

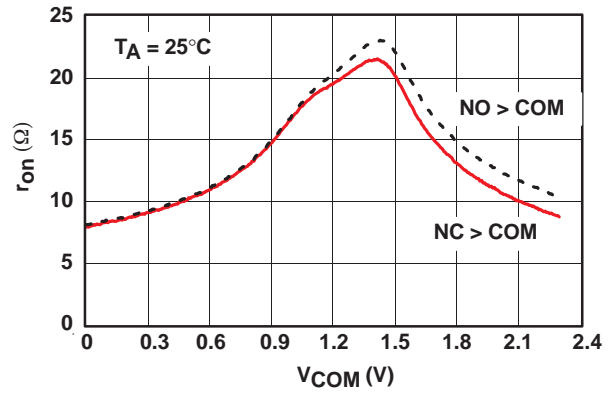


Figure 1B.  $r_{on}$  vs  $V_{COM}$  ( $V_+ = 2.3$  V)

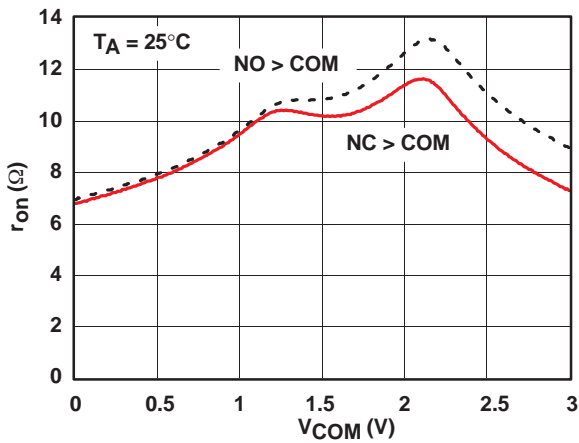


Figure 1C.  $r_{on}$  vs  $V_{COM}$  ( $V_+ = 3$  V)

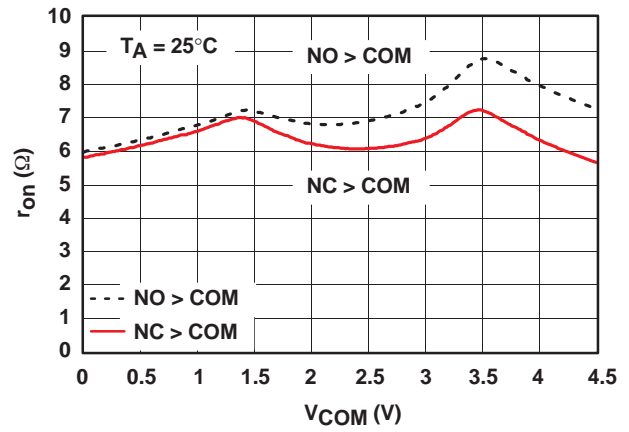


Figure 1D.  $r_{on}$  vs  $V_{COM}$  ( $V_+ = 4.5$  V)

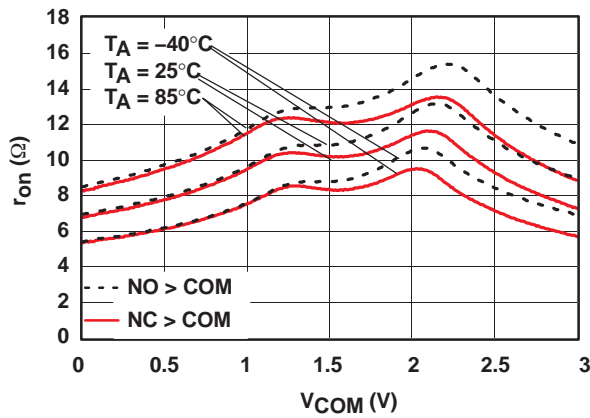


Figure 2.  $r_{on}$  vs  $V_{COM}$  ( $V_+ = 3$  V)

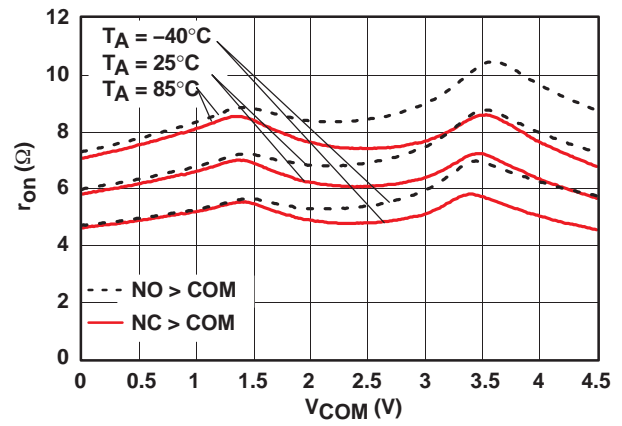


Figure 3.  $r_{on}$  vs  $V_{COM}$  ( $V_+ = 4.5$  V)

# TS5A2053 SINGLE-CHANNEL 10-Ω SPDT ANALOG SWITCH WITH ENABLE

SCDS183 – JANUARY 2005

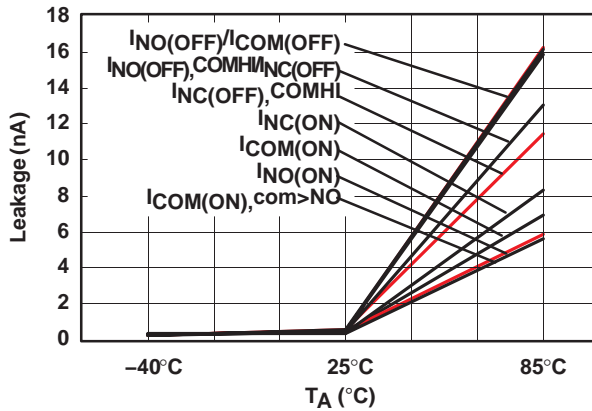


Figure 4. Leakage Current vs Temperature ( $V_+ = 5.5\text{ V}$ )

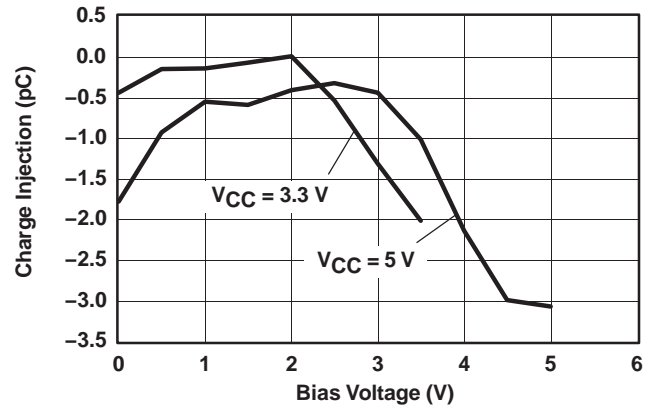


Figure 5. Charge Injection ( $Q_C$ ) vs  $V_{COM}$

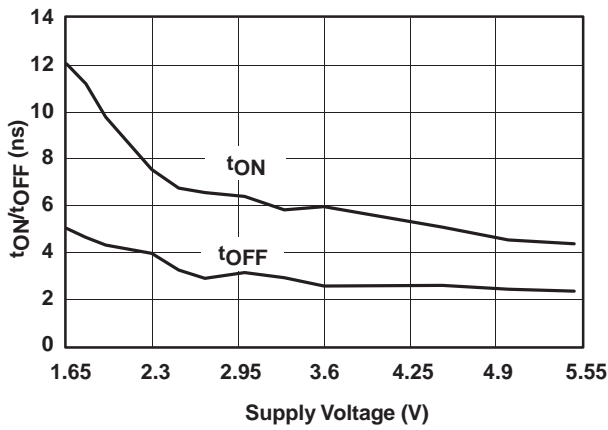


Figure 6.  $t_{ON}$  and  $t_{OFF}$  vs  $V_+$

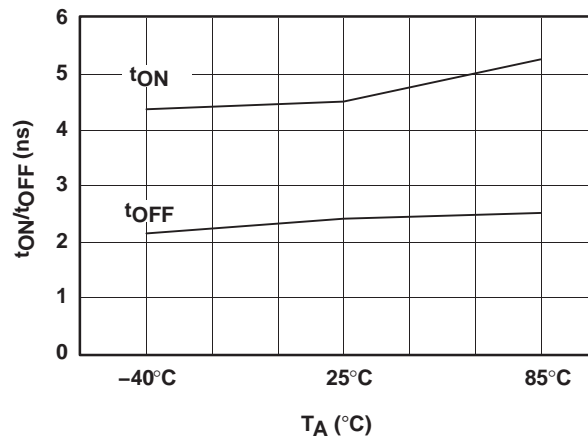


Figure 7.  $t_{ON}$  and  $t_{OFF}$  vs Temperature ( $V_+ = 5\text{ V}$ )

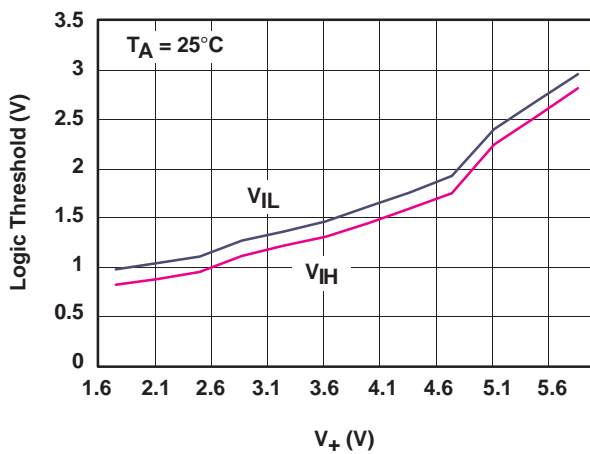


Figure 8. Logic Threshold vs  $V_+$

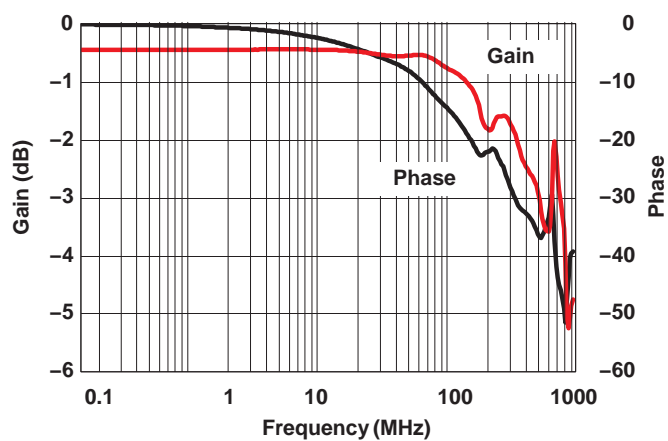


Figure 9. Bandwidth ( $V_+ = 5\text{ V}$ )

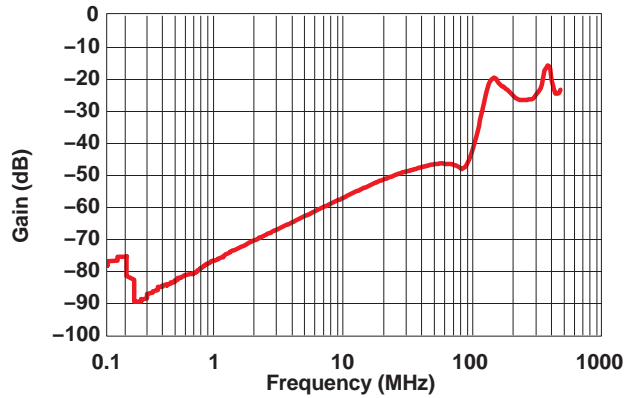


Figure 10. OFF Isolation ( $V_+ = 5\text{ V}$ )

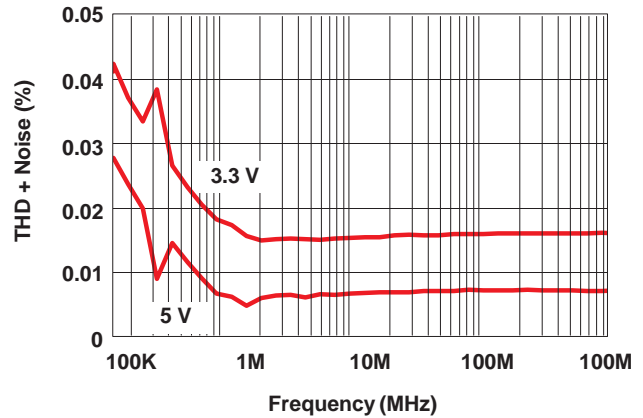


Figure 11. Total Harmonic Distortion vs Frequency

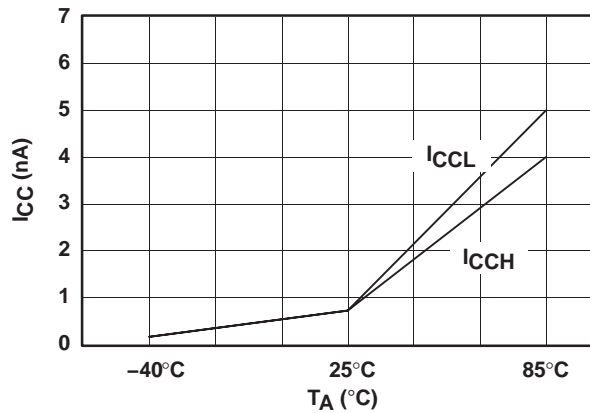


Figure 12. Power-Supply Current vs Temperature ( $V_+ = 5\text{ V}$ )

# TS5A2053 SINGLE-CHANNEL 10-Ω SPDT ANALOG SWITCH WITH ENABLE



SCDS183 – JANUARY 2005

## PIN DESCRIPTION

PIN NUMBER	NAME	DESCRIPTION
1	COM	Common
2	$\overline{\text{EN}}$	Chip enable (active low)
3	GND	Digital ground
4	GND	Digital ground
5	IN	Digital control to connect COM to NC or NO
6	NO	Normally open
7	NC	Normally close
8	V <sub>+</sub>	Power supply

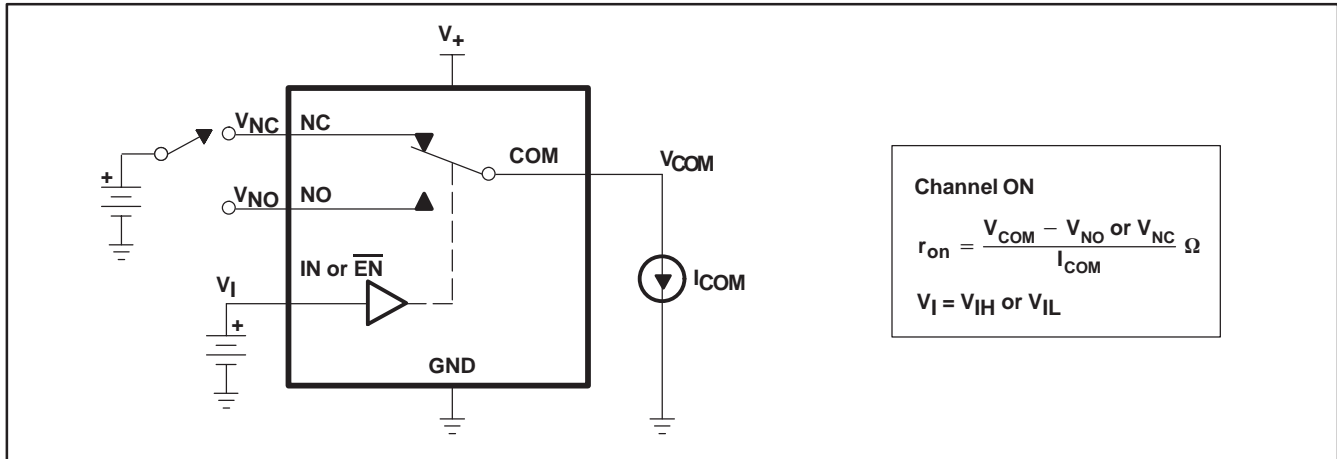
## PARAMETER DESCRIPTION

SYMBOL	DESCRIPTION
V <sub>COM</sub>	Voltage at COM
V <sub>NC</sub>	Voltage at NC
V <sub>NO</sub>	Voltage at NO
r <sub>on</sub>	Resistance between COM and NC or COM and NO ports when the channel is ON
Δr <sub>on</sub>	Difference of r <sub>on</sub> between channels in a specific device
r <sub>on(flat)</sub>	Difference between the maximum and minimum value of r <sub>on</sub> in a channel over the specified range of conditions
I <sub>NC(OFF)</sub>	Leakage current measured at the NC port, with the corresponding channel (NC to COM) in the OFF state
I <sub>NO(OFF)</sub>	Leakage current measured at the NO port, with the corresponding channel (NO to COM) in the OFF state
I <sub>NC(ON)</sub>	Leakage current measured at the NC port, with the corresponding channel (NC to COM) in the ON state and the output (COM) open
I <sub>NO(ON)</sub>	Leakage current measured at the NO port, with the corresponding channel (NO to COM) in the ON state and the output (COM) open
I <sub>COM(OFF)</sub>	Leakage current measured at the COM port, with the corresponding channel (COM to NO or COM to NC) in the OFF state and the output (NC or NO) open
I <sub>COM(ON)</sub>	Leakage current measured at the COM port, with the corresponding channel (COM to NO or COM to NC) in the ON state and the output (NC or NO) open
V <sub>IH</sub>	Minimum input voltage for logic high for the control input (IN, $\overline{\text{EN}}$ )
V <sub>IL</sub>	Maximum input voltage for logic low for the control input (IN, $\overline{\text{EN}}$ )
V <sub>I</sub>	Voltage at the control input (IN, $\overline{\text{EN}}$ )
I <sub>IH</sub> , I <sub>IL</sub>	Leakage current measured at the control input (IN, $\overline{\text{EN}}$ )
t <sub>ON</sub>	Turn-on time for the switch. This parameter is measured under the specified range of conditions and by the propagation delay between the digital control (IN) signal and analog output (COM, NC, or NO) signal when the switch is turning ON.
t <sub>OFF</sub>	Turn-off time for the switch. This parameter is measured under the specified range of conditions and by the propagation delay between the digital control (IN) signal and analog output (COM, NC, or NO) signal when the switch is turning OFF.
Q <sub>C</sub>	Charge injection is a measurement of unwanted signal coupling from the control (IN) input to the analog (NC, NO, or COM) output. This is measured in coulomb (C) and measured by the total charge induced due to switching of the control input. Charge injection, Q <sub>C</sub> = C <sub>L</sub> × ΔV <sub>COM</sub> . C <sub>L</sub> is the load capacitance and ΔV <sub>COM</sub> is the change in analog output voltage.

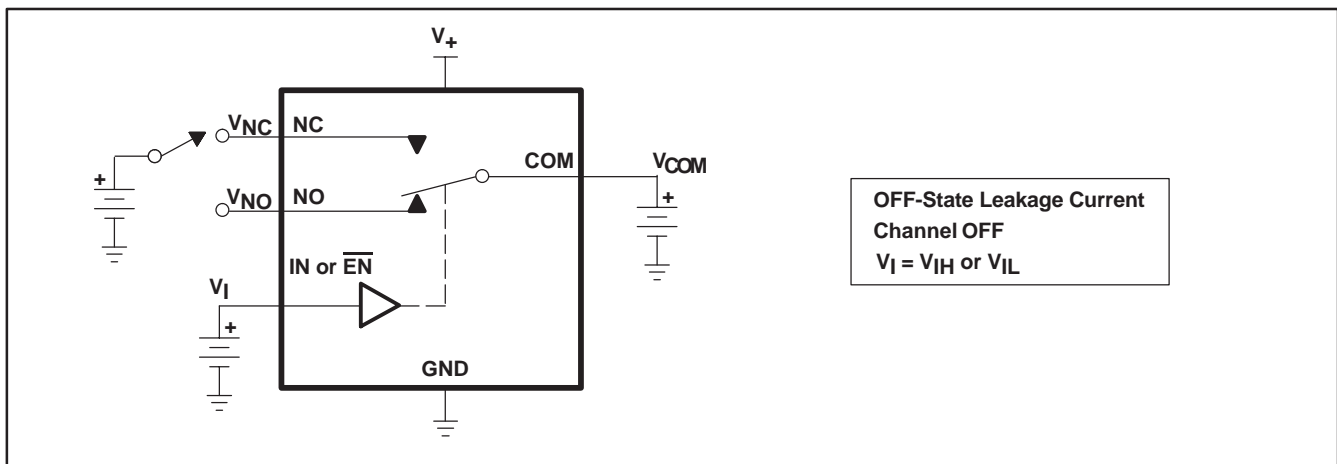
**PARAMETER DESCRIPTION (continued)**

SYMBOL	DESCRIPTION
C <sub>NC(OFF)</sub>	Capacitance at the NC port when the corresponding channel (NC to COM) is OFF
C <sub>NO(OFF)</sub>	Capacitance at the NO port when the corresponding channel (NO to COM) is OFF
C <sub>NC(ON)</sub>	Capacitance at the NC port when the corresponding channel (NC to COM) is ON
C <sub>NO(ON)</sub>	Capacitance at the NO port when the corresponding channel (NO to COM) is ON
C <sub>COM(OFF)</sub>	Capacitance at the COM port when the corresponding channel (COM to NC or COM to NO) is OFF
C <sub>COM(ON)</sub>	Capacitance at the COM port when the corresponding channel (COM to NC or COM to NO) is ON
C <sub>I</sub>	Capacitance of control input (IN, $\overline{\text{EN}}$ )
O <sub>ISO</sub>	OFF isolation of the switch is a measurement of OFF-state switch impedance. This is measured in dB in a specific frequency, with the corresponding channel (NC to COM or NO to COM) in the OFF state.
X <sub>TALK</sub>	Crosstalk is a measurement of unwanted signal coupling from an ON channel to an OFF channel (NC to NO or NO to NC). This is measured in a specific frequency and in dB.
BW	Bandwidth of the switch. This is the frequency where the gain of an ON channel is –3 dB below the DC gain.
THD	Total harmonic distortion describes the signal distortion caused by the analog switch. This is defined as the ratio of root mean square (RMS) value of the second, third, and higher harmonic to the absolute magnitude of fundamental harmonic.
I <sub>+</sub>	Static power-supply current with the control (IN, $\overline{\text{EN}}$ ) pin at V <sub>+</sub> or GND

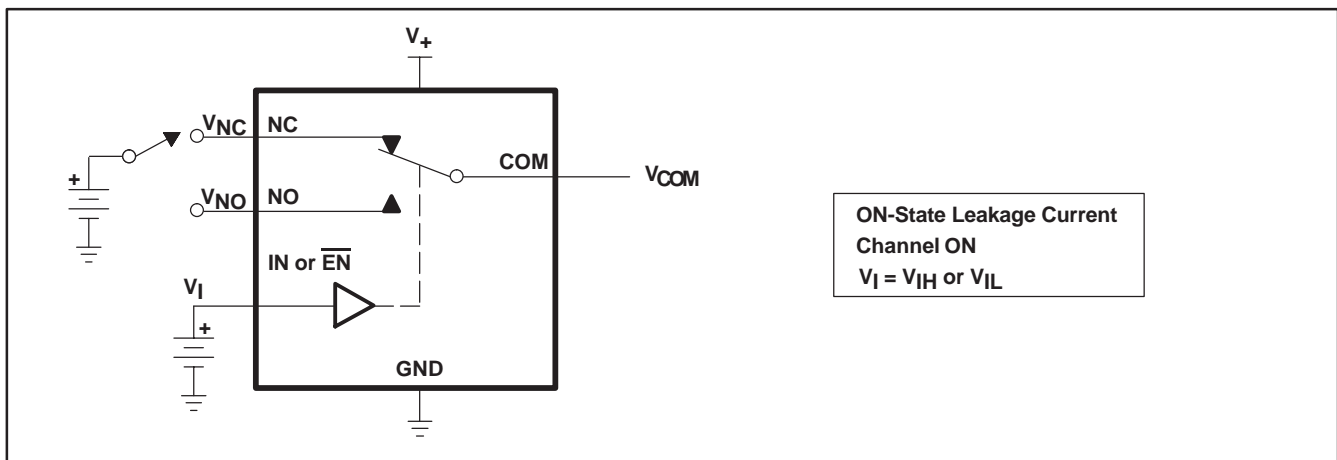
**PARAMETER MEASUREMENT INFORMATION**



**Figure 13. ON-State Resistance ( $r_{on}$ )**



**Figure 14. OFF-State Leakage Current ( $I_{NC(OFF)}$ ,  $I_{NO(OFF)}$ ,  $I_{COM(OFF)}$ )**



**Figure 15. ON-State Leakage Current ( $I_{COM(ON)}$ ,  $I_{NC(ON)}$ ,  $I_{NO(ON)}$ )**



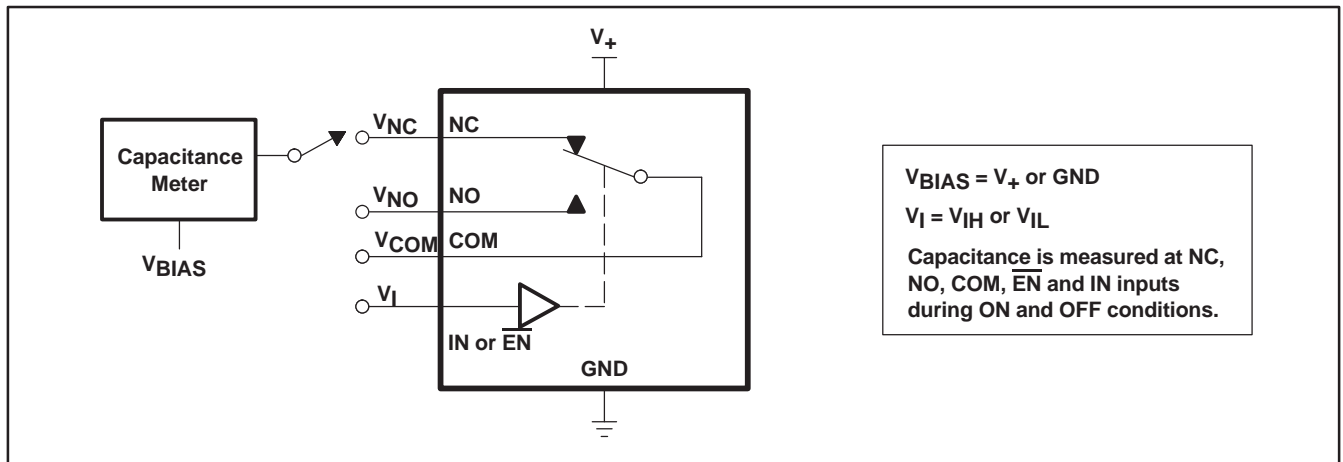
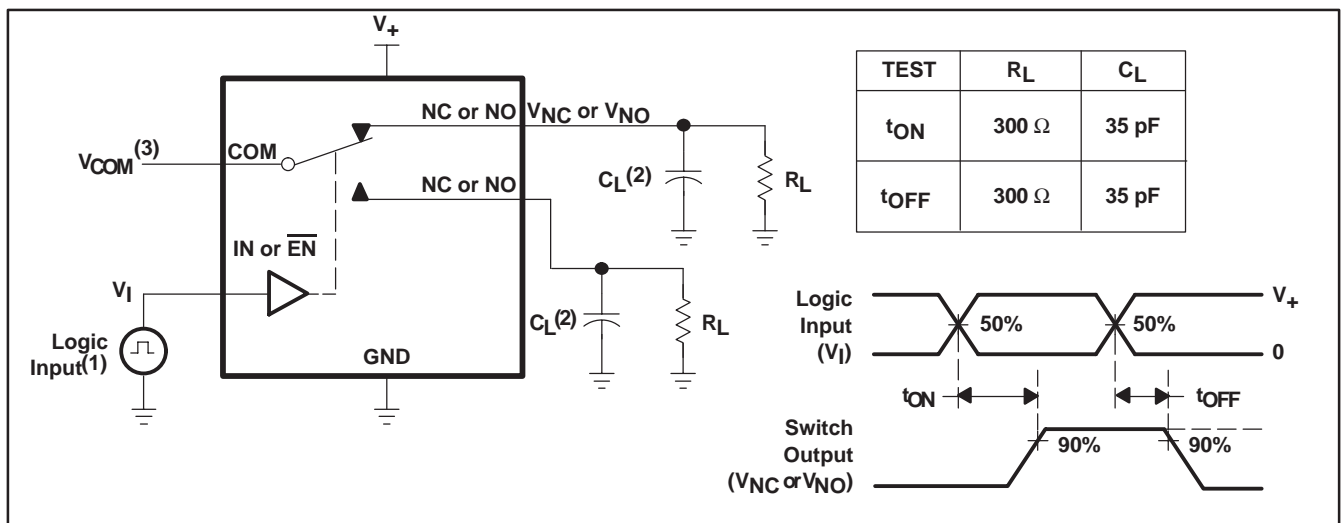


Figure 16. Capacitance ( $C_I$ ,  $C_{COM(OFF)}$ ,  $C_{COM(ON)}$ ,  $C_{NC(OFF)}$ ,  $C_{NO(OFF)}$ ,  $C_{NC(ON)}$ ,  $C_{NO(ON)}$ )



- (1) All input pulses are supplied by generators having the following characteristics: PRR ≤ 10 MHz,  $Z_O = 50 \Omega$ ,  $t_r < 5 \text{ ns}$ ,  $t_f < 5 \text{ ns}$ .  
 (2)  $C_L$  includes probe and jig capacitance.  
 (3) See Electrical Characteristics for  $V_{COM}$ .

Figure 17. Turn-On ( $t_{ON}$ ) and Turn-Off Time ( $t_{OFF}$ )

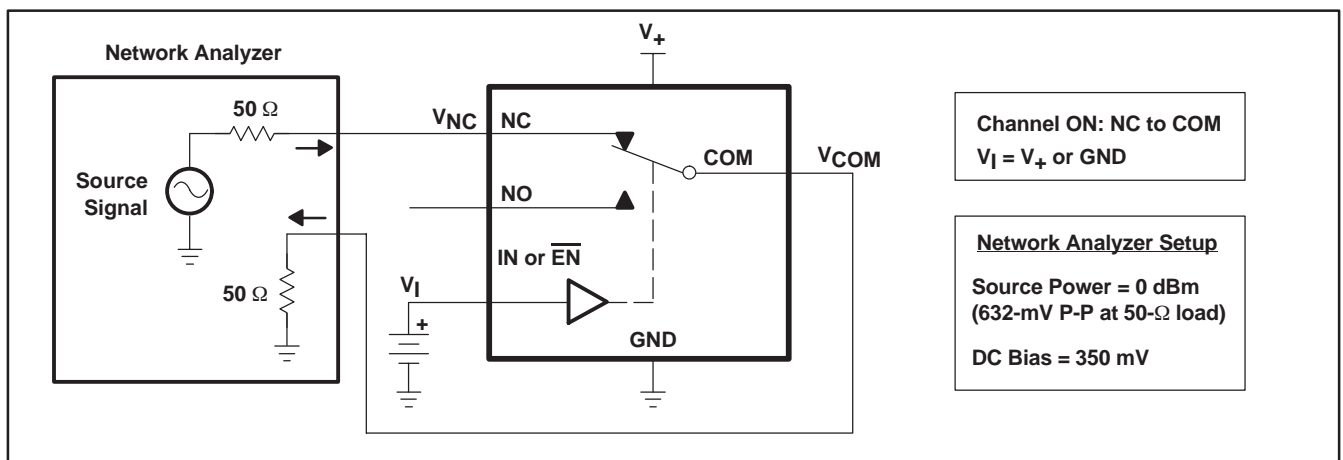


Figure 18. Bandwidth (BW)

# TS5A2053 SINGLE-CHANNEL 10-Ω SPDT ANALOG SWITCH WITH ENABLE

SCDS183 – JANUARY 2005

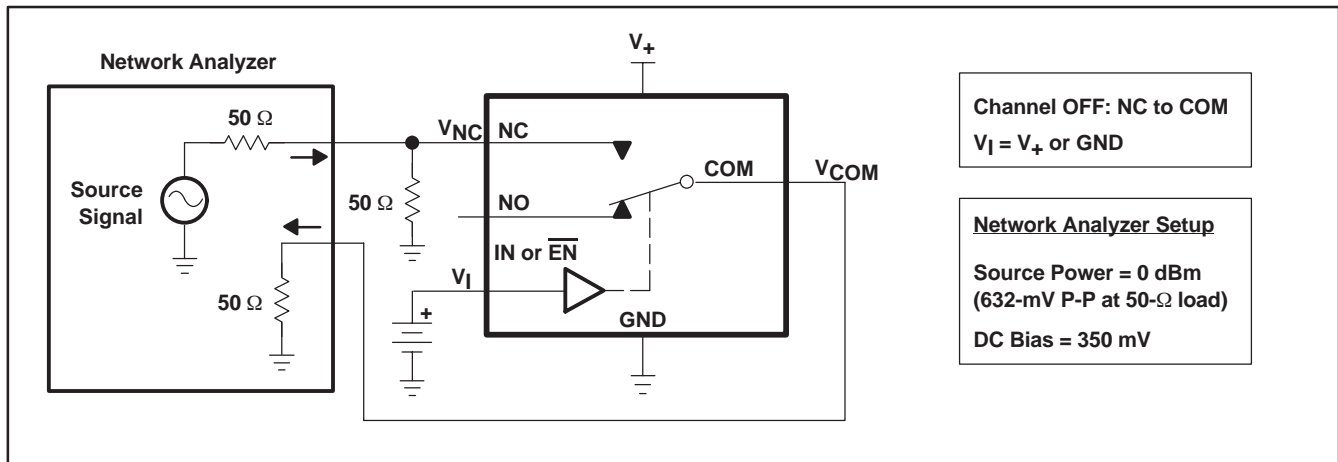


Figure 19. OFF Isolation ( $O_{ISO}$ )

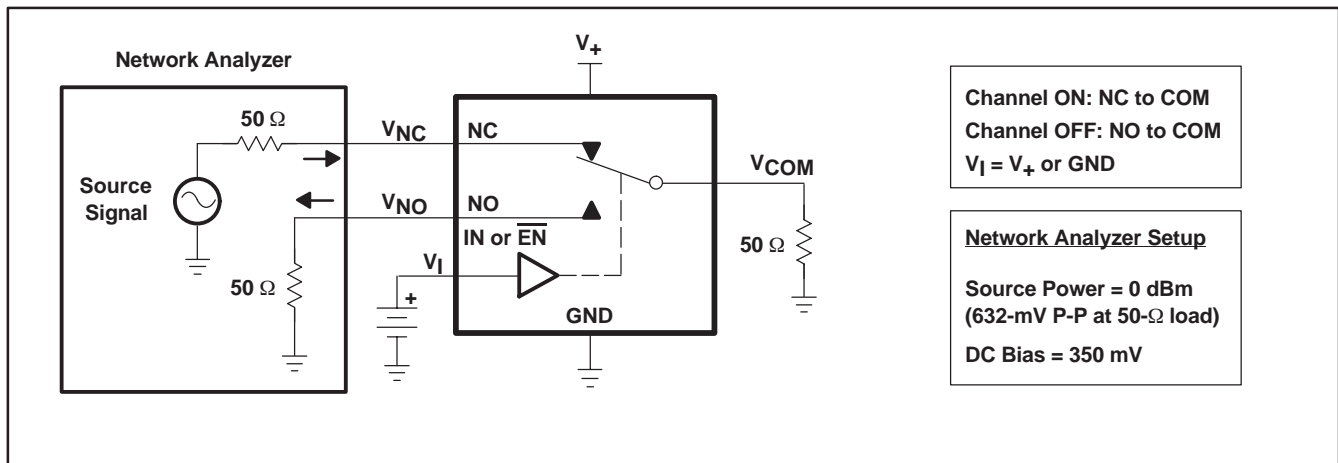
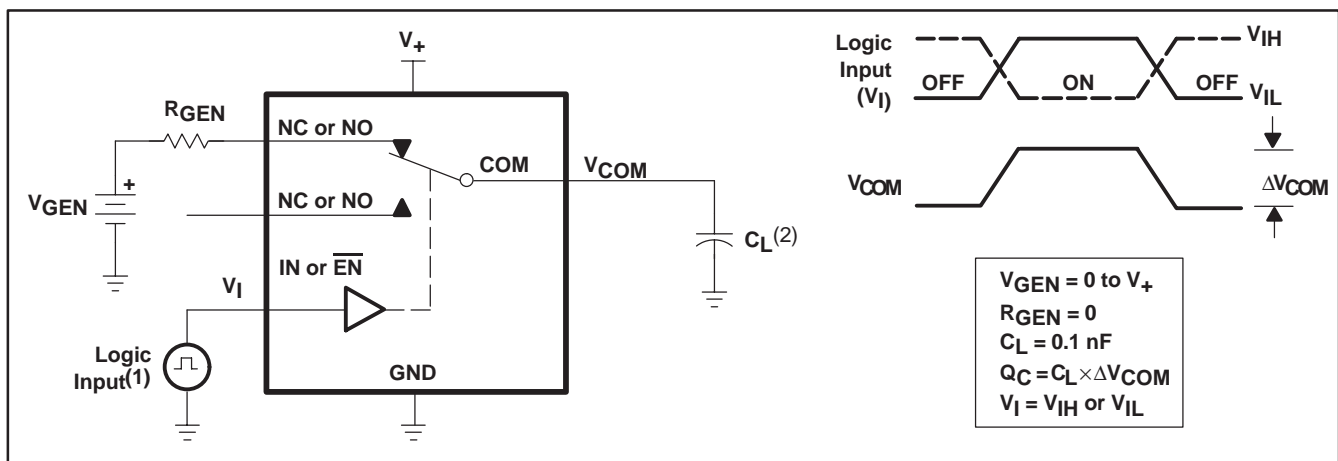


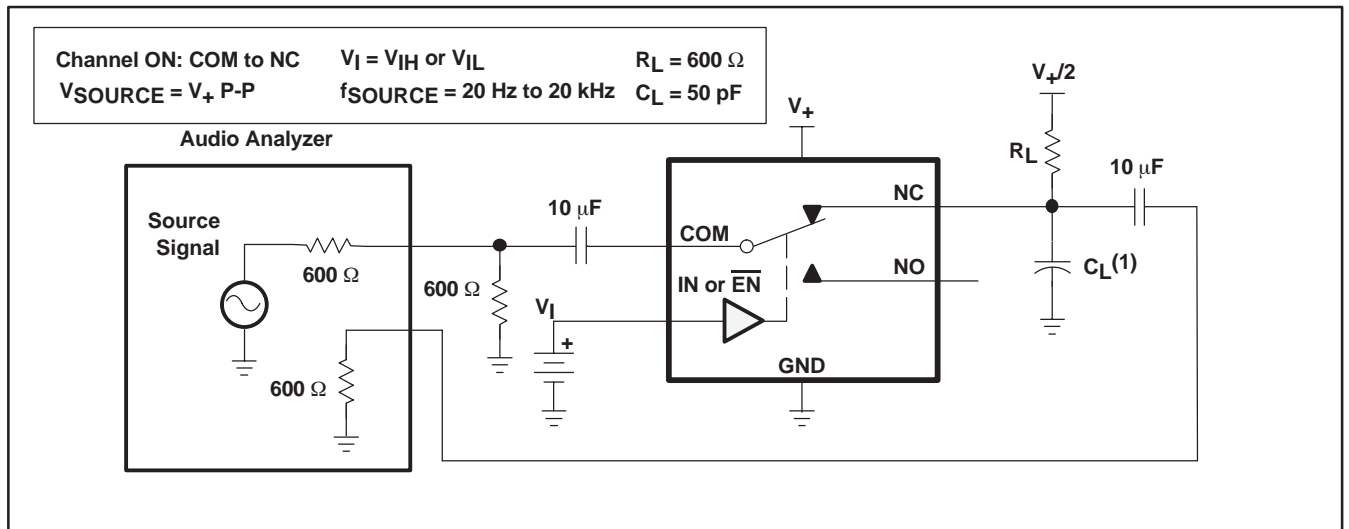
Figure 20. Crosstalk ( $X_{TALK}$ )



(1) All input pulses are supplied by generators having the following characteristics: PRR  $\leq$  10 MHz,  $Z_O = 50 \Omega$ ,  $t_r < 5 \text{ ns}$ ,  $t_f < 5 \text{ ns}$ .

(2)  $C_L$  includes probe and jig capacitance.

Figure 21. Charge Injection ( $Q_C$ )



(1)  $C_L$  includes probe and jig capacitance.

**Figure 22. Total Harmonic Distortion (THD)**

**PACKAGING INFORMATION**

Orderable Device	Status <sup>(1)</sup>	Package Type	Package Drawing	Pins	Package Qty	Eco Plan <sup>(2)</sup>	Lead/Ball Finish	MSL Peak Temp <sup>(3)</sup>
TS5A2053DCTR	ACTIVE	SM8	DCT	8	3000	Pb-Free (RoHS)	CU NIPDAU	Level-1-260C-UNLIM
TS5A2053DCUR	ACTIVE	US8	DCU	8	3000	Pb-Free (RoHS)	CU NIPDAU	Level-1-260C-UNLIM
TS5A2053DCURE4	ACTIVE	US8	DCU	8	3000	Pb-Free (RoHS)	CU NIPDAU	Level-1-260C-UNLIM

<sup>(1)</sup> The marketing status values are defined as follows:

**ACTIVE:** Product device recommended for new designs.

**LIFEBUY:** TI has announced that the device will be discontinued, and a lifetime-buy period is in effect.

**NRND:** Not recommended for new designs. Device is in production to support existing customers, but TI does not recommend using this part in a new design.

**PREVIEW:** Device has been announced but is not in production. Samples may or may not be available.

**OBSOLETE:** TI has discontinued the production of the device.

<sup>(2)</sup> Eco Plan - The planned eco-friendly classification: Pb-Free (RoHS) or Green (RoHS & no Sb/Br) - please check <http://www.ti.com/productcontent> for the latest availability information and additional product content details.

**TBD:** The Pb-Free/Green conversion plan has not been defined.

**Pb-Free (RoHS):** TI's terms "Lead-Free" or "Pb-Free" mean semiconductor products that are compatible with the current RoHS requirements for all 6 substances, including the requirement that lead not exceed 0.1% by weight in homogeneous materials. Where designed to be soldered at high temperatures, TI Pb-Free products are suitable for use in specified lead-free processes.

**Green (RoHS & no Sb/Br):** TI defines "Green" to mean Pb-Free (RoHS compatible), and free of Bromine (Br) and Antimony (Sb) based flame retardants (Br or Sb do not exceed 0.1% by weight in homogeneous material)

<sup>(3)</sup> MSL, Peak Temp. -- The Moisture Sensitivity Level rating according to the JEDEC industry standard classifications, and peak solder temperature.

**Important Information and Disclaimer:**The information provided on this page represents TI's knowledge and belief as of the date that it is provided. TI bases its knowledge and belief on information provided by third parties, and makes no representation or warranty as to the accuracy of such information. Efforts are underway to better integrate information from third parties. TI has taken and continues to take reasonable steps to provide representative and accurate information but may not have conducted destructive testing or chemical analysis on incoming materials and chemicals. TI and TI suppliers consider certain information to be proprietary, and thus CAS numbers and other limited information may not be available for release.

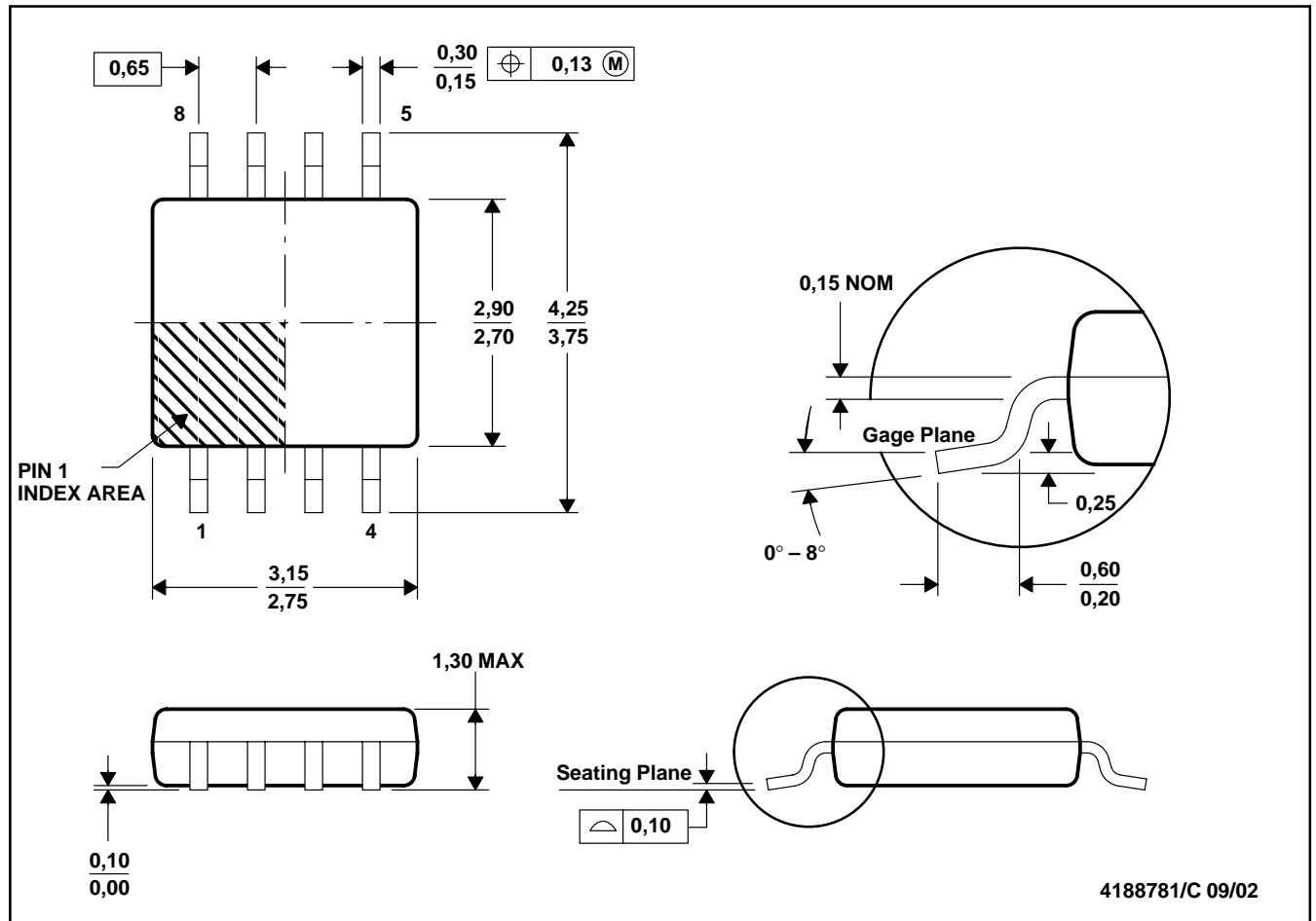
In no event shall TI's liability arising out of such information exceed the total purchase price of the TI part(s) at issue in this document sold by TI to Customer on an annual basis.

# MECHANICAL DATA

MPDS049B – MAY 1999 – REVISED OCTOBER 2002

DCT (R-PDSO-G8)

PLASTIC SMALL-OUTLINE PACKAGE

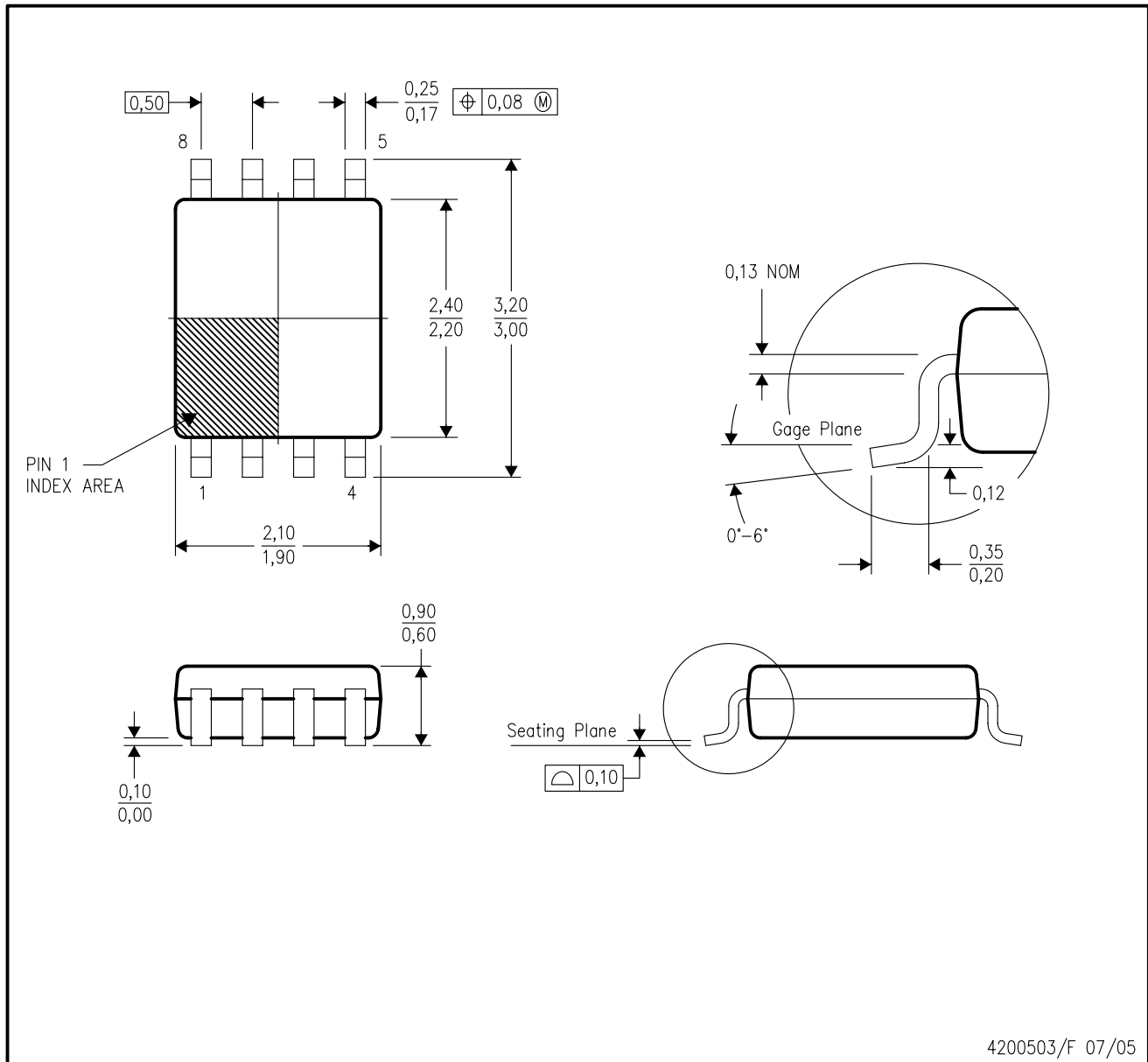


- NOTES: A. All linear dimensions are in millimeters.  
 B. This drawing is subject to change without notice.  
 C. Body dimensions do not include mold flash or protrusion  
 D. Falls within JEDEC MO-187 variation DA.

# MECHANICAL DATA

DCU (R-PDSO-G8)

PLASTIC SMALL-OUTLINE PACKAGE (DIE DOWN)



4200503/F 07/05

- NOTES:
- All linear dimensions are in millimeters.
  - This drawing is subject to change without notice.
  - Body dimensions do not include mold flash or protrusion. Mold flash and protrusion shall not exceed 0.15 per side.
  - Falls within JEDEC MO-187 variation CA.

## IMPORTANT NOTICE

Texas Instruments Incorporated and its subsidiaries (TI) reserve the right to make corrections, modifications, enhancements, improvements, and other changes to its products and services at any time and to discontinue any product or service without notice. Customers should obtain the latest relevant information before placing orders and should verify that such information is current and complete. All products are sold subject to TI's terms and conditions of sale supplied at the time of order acknowledgment.

TI warrants performance of its hardware products to the specifications applicable at the time of sale in accordance with TI's standard warranty. Testing and other quality control techniques are used to the extent TI deems necessary to support this warranty. Except where mandated by government requirements, testing of all parameters of each product is not necessarily performed.

TI assumes no liability for applications assistance or customer product design. Customers are responsible for their products and applications using TI components. To minimize the risks associated with customer products and applications, customers should provide adequate design and operating safeguards.

TI does not warrant or represent that any license, either express or implied, is granted under any TI patent right, copyright, mask work right, or other TI intellectual property right relating to any combination, machine, or process in which TI products or services are used. Information published by TI regarding third-party products or services does not constitute a license from TI to use such products or services or a warranty or endorsement thereof. Use of such information may require a license from a third party under the patents or other intellectual property of the third party, or a license from TI under the patents or other intellectual property of TI.

Reproduction of information in TI data books or data sheets is permissible only if reproduction is without alteration and is accompanied by all associated warranties, conditions, limitations, and notices. Reproduction of this information with alteration is an unfair and deceptive business practice. TI is not responsible or liable for such altered documentation.

Resale of TI products or services with statements different from or beyond the parameters stated by TI for that product or service voids all express and any implied warranties for the associated TI product or service and is an unfair and deceptive business practice. TI is not responsible or liable for any such statements.

Following are URLs where you can obtain information on other Texas Instruments products and application solutions:

<b>Products</b>		<b>Applications</b>	
Amplifiers	<a href="http://amplifier.ti.com">amplifier.ti.com</a>	Audio	<a href="http://www.ti.com/audio">www.ti.com/audio</a>
Data Converters	<a href="http://dataconverter.ti.com">dataconverter.ti.com</a>	Automotive	<a href="http://www.ti.com/automotive">www.ti.com/automotive</a>
DSP	<a href="http://dsp.ti.com">dsp.ti.com</a>	Broadband	<a href="http://www.ti.com/broadband">www.ti.com/broadband</a>
Interface	<a href="http://interface.ti.com">interface.ti.com</a>	Digital Control	<a href="http://www.ti.com/digitalcontrol">www.ti.com/digitalcontrol</a>
Logic	<a href="http://logic.ti.com">logic.ti.com</a>	Military	<a href="http://www.ti.com/military">www.ti.com/military</a>
Power Mgmt	<a href="http://power.ti.com">power.ti.com</a>	Optical Networking	<a href="http://www.ti.com/opticalnetwork">www.ti.com/opticalnetwork</a>
Microcontrollers	<a href="http://microcontroller.ti.com">microcontroller.ti.com</a>	Security	<a href="http://www.ti.com/security">www.ti.com/security</a>
		Telephony	<a href="http://www.ti.com/telephony">www.ti.com/telephony</a>
		Video & Imaging	<a href="http://www.ti.com/video">www.ti.com/video</a>
		Wireless	<a href="http://www.ti.com/wireless">www.ti.com/wireless</a>

Mailing Address: Texas Instruments  
Post Office Box 655303 Dallas, Texas 75265