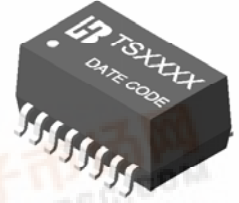


10/100 BASE PULSE TRANSFORMERS (SMD) SMALL SIZE

462 Boston St - Topsfield, MA 01983 - Phone: 978-887-8050 - Fax: 978-887-5434

- Low leakage inductance and winding capacitances for fast rise time
- High isolation voltages to comply with international safety requirements for LANs
- Half port and single port designs for maximum layout flexibility
- Compatible with Intel, TDK, QSI, and ICS transceivers
- 16 PIN SMD package to compliant with IEEE 802.3 standard
- Storage temperature range: -40°C to +125°C



Electrical Specifications @ 25°C Operating Temperature range: 0°C to +70°C

Part Number	Insertion Loss (dB Max)	Return Loss (dB Min)				Cross talk (dB Min)	CMRR (dB Min)	
		0.3-30MHz	40MHz	50MHz	60-80MHz		0.3-100MHz	0.3-100MHz
TS6121A	-1.1	-18	-15.5	-13	-12	-38	-40	
TS6121B	-1.15	-18	-15.5	-13.6	-12	-38	-40	
TS6121E	-1.15	-18	-15.5	-13	-12	-38	-40	
TS6121F	-1.1	-18	-15.5	-13	-12	-30	-40	
TS6121G	-1.15	-18	-15.5	-13	-12	-38	-40	
TS6121H	-1.15	-18	-15.5	-13.6	-12	-35	-40	
TS6121K	-1.15	-18	-15.5	-13	-12	-50	0.3-60MHz	60-100MHz
							-45	-35

Part Number	Insertion Loss (dB Max)	Return Loss (dB Min)			Cross talk (dB Min)			Differential to Common Mode Rejection (dB Min)		
		30MHz	60MHz	80MHz	30MHz	60MHz	100MHz	30MHz	60MHz	100MHz
TS6121C	-1.15	-20	-14	-12	-45	-40	-35	-42	-37	-33
TS6121CX	-1.15	-20	-14	-12	-45	-40	-35	-42	-37	-33
TS6121K	-	-	-	-	-	-	-	0.3-60MHz	60-100MHz	
								-45	-35	

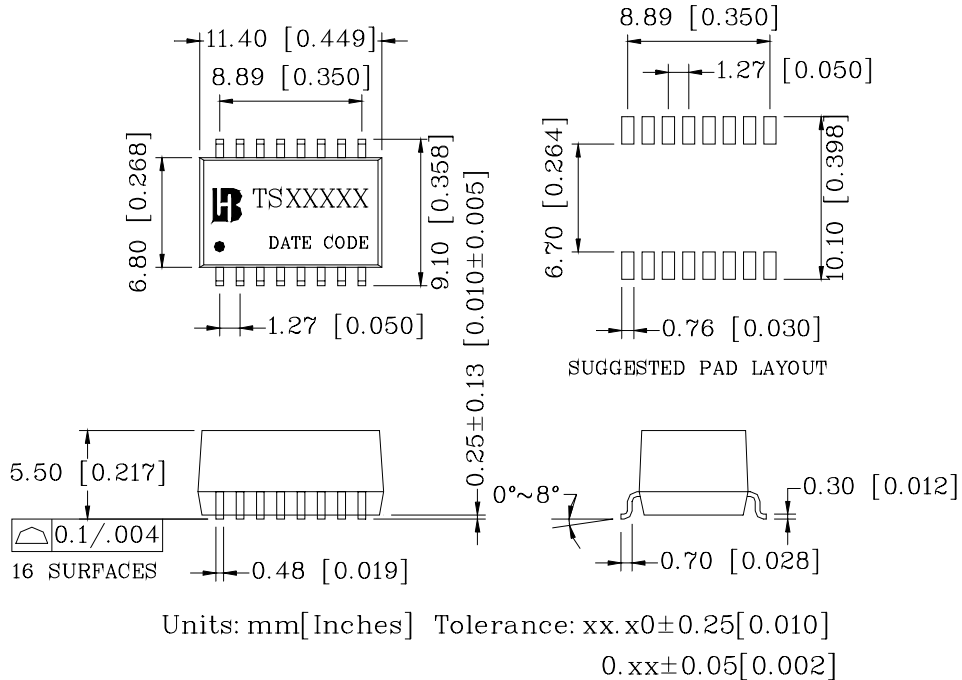
Part Number	Turns Ratio (±5%)	OCL (uH Min)	L.L (uH Max)	CW/W (pF Max)	HI-POT (Vrms)	DCR Primary (Ω Max)
TS6121A	1CT:1CT	350	0.5	28	1500	0.7 Pin 1-3/6-8 & 1.1 Pin 11-9
TS6121B	1.25CT:1CT/1CT:1CT	350	0.5	28	1500	0.9
TS6121C	1CT:1CT	350	0.5	28	1500	0.7 Pin 1-3/6-8 & 1.1 Pin 11-9
TS6121CX	1CT:1CT	350	0.5	56	1500	0.7 Pin 1-3/6-8 & 1.1 Pin 11-9
TS6121E	1CT:1CT	350	0.5	28	1500	0.7 Pin 1-3/6-8 & 1.1 Pin 11-9
TS6121F	1CT:1CT	350	0.5	28	1500	0.7 Pin 1-3/6-8 & 1.1 Pin 11-9
TS6121G	1CT:1CT	350	0.5	28	1500	0.7 Pin 1-3/6-8 & 1.1 Pin 11-9
TS6121H	1CT:1CT	350	0.4	28	1500	0.7 Pin 1-3/6-8 & 1.1 Pin 11-9
TS6121K	1CT:1CT	350	0.5	28	1500	0.7 Pin 1-3/6-8 & 1.1 Pin 11-9



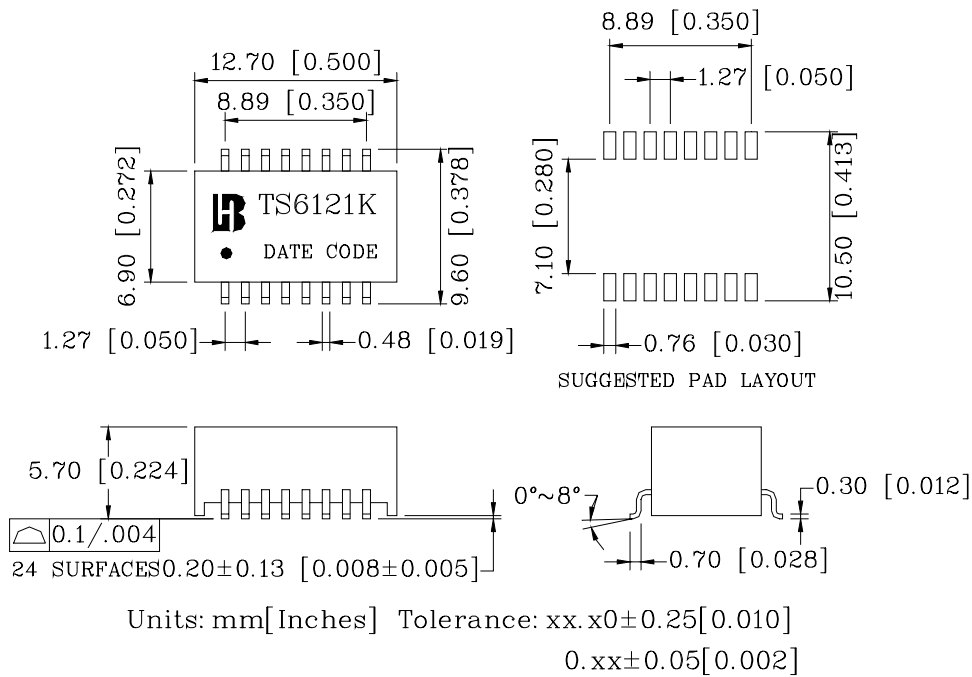
10/100 BASE PULSE TRANSFORMERS (SMD) SMALL SIZE

462 Boston St - Topsfield, MA 01983 - Phone: 978-887-8050 - Fax: 978-887-5434

Mechanicals



TS6121K

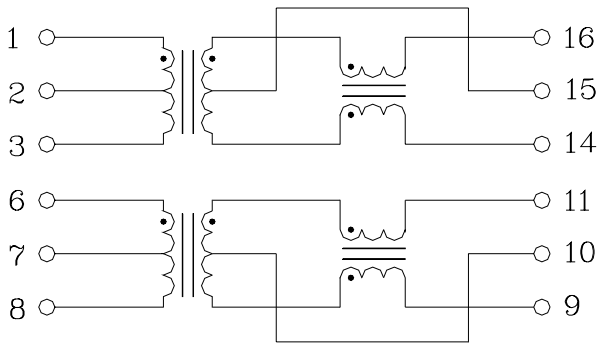


10/100 BASE PULSE TRANSFORMERS (SMD) SMALL SIZE

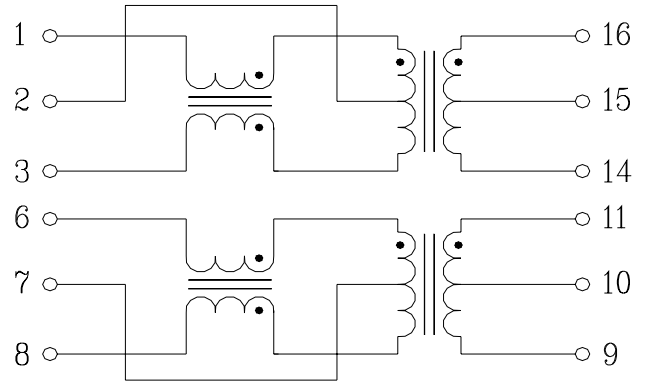
462 Boston St - Topsfield, MA 01983 - Phone: 978-887-8050 - Fax: 978-887-5434

Schematics

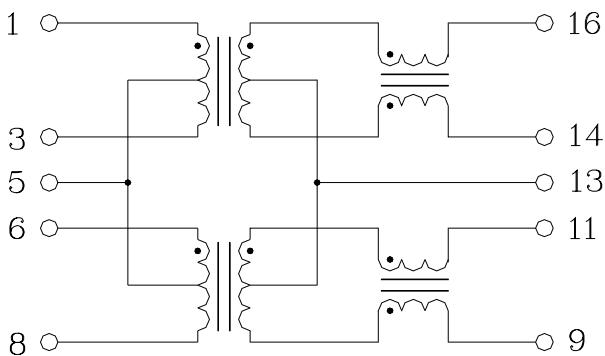
TS6121C,



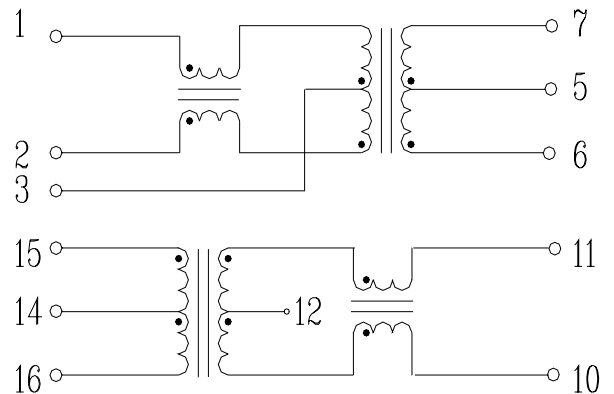
TS6121A, TS6121B



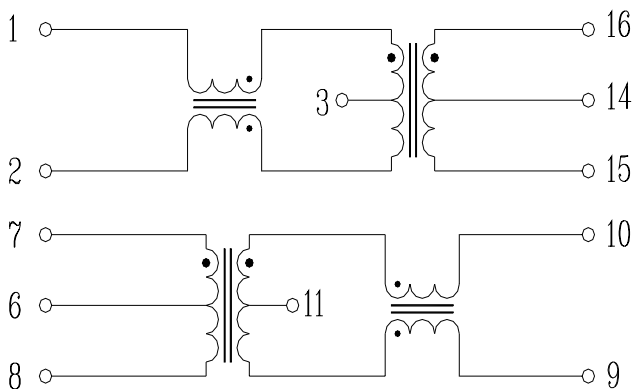
TS6121CX



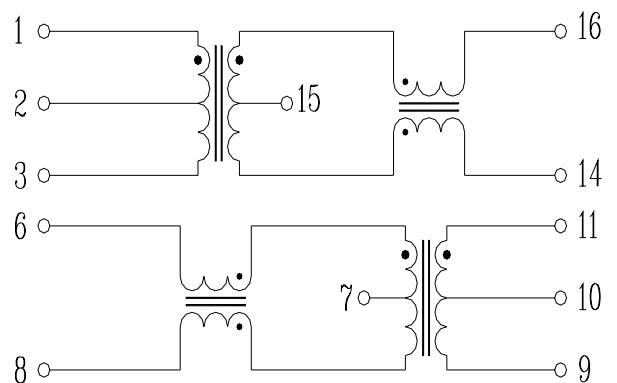
TS6121E



TS6121F



TS6121G



10/100 BASE PULSE TRANSFORMERS (SMD) SMALL SIZE

462 Boston St - Topsfield, MA 01983 - Phone: 978-887-8050 - Fax: 978-887-5434

