



# TSH310

## 400µA High-Speed Operational Amplifier

- OptimWatt™ device featuring ultra-low consumption, 2mW, and low quiescent current, 400µA
- Bandwidth: 120MHz (Gain=2)
- Slew rate: 115V/µs
- Specified on 1kΩ
- Input noise: 7.5nV/√Hz
- Tested on 5V power supply

### Description

The TSH310 is a very low-power, high-speed operational amplifier. A bandwidth of 120MHz is achieved while drawing only 400µA of quiescent current. This low-power characteristic is particularly suitable for high-speed, battery-powered equipment requiring dynamic performance.

The TSH310 is a single operator available in SO8 and the tiny SOT23-5 plastic package, saving board space as well as providing excellent thermal performances.

### Applications

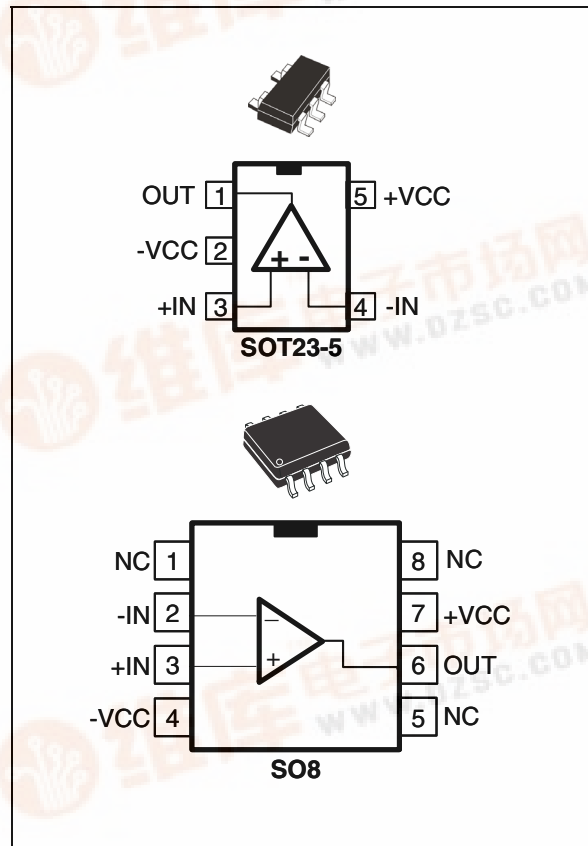
- Battery-powered and high-speed systems
- Communication & video test equipment
- Portable medical instrumentation
- ADC drivers

### Order Codes

Part Number	Temperature Range	Package	Conditioning	Marking
TSH310ILT	-40°C to +85°C	SOT23-5	Tape&Reel	K304
TSH310ID		SO-8	Tube	TSH310I
TSH310IDT		SO-8	Tape&Reel	TSH310I

Note: OptimWatt™ is an STMicroelectronics registered trademark that applies to products with specific features that optimize energy efficiency.

### Pin Connections (top view)



## 1 Absolute Maximum Ratings

**Table 1: Key parameters and their absolute maximum ratings**

Symbol	Parameter	Value	Unit
$V_{CC}$	Supply Voltage <sup>1</sup>	6	V
$V_{id}$	Differential Input Voltage <sup>2</sup>	+/-0.5	V
$V_{in}$	Input Voltage Range <sup>3</sup>	+/-2.5	V
$T_{oper}$	Operating Free Air Temperature Range	-40 to +85	°C
$T_{stg}$	Storage Temperature	-65 to +150	°C
$T_j$	Maximum Junction Temperature	150	°C
$R_{thja}$	Thermal Resistance Junction to Ambient SOT23-5 SO8	250	°C/W
		150	
$R_{thjc}$	Thermal Resistance Junction to Case SOT23-5 SO8	80	°C/W
		28	
$P_{max}$	Maximum Power Dissipation <sup>4</sup> (@ Ta=25°C) for Tj=150°C SOT23-5 SO8	500	mW
		830	
ESD	HBM: Human Body Model <sup>5</sup> (pins 1, 4, 5, 6, 7 and 8)	2	kV
	HBM: Human Body Model (pins 2 and 3)	0.5	kV
	MM: Machine Model <sup>6</sup> (pins 1, 4, 5, 6, 7 and 8)	200	V
	MM: Machine Model (pins 2 and 3)	60	V
	CDM: Charged Device Model (pins 1, 4, 5, 6, 7 and 8)	1.5	kV
	CDM: Charged Device Model (pins 2 and 3)	1.5	kV
	Latch-up Immunity	200	mA

1) All voltages values are measured with respect to the ground pin.

2) Differential voltage are non-inverting input terminal with respect to the inverting input terminal.

3) The magnitude of input and output voltage must never exceed  $V_{CC} + 0.3V$ .

4) Short-circuits can cause excessive heating. Destructive dissipation can result from short circuit on amplifiers.

5) Human body model, 100pF discharged through a 1.5kΩ resistor into pMin of device.

6) This is a minimum Value. Machine model ESD, a 200pF cap is charged to the specified voltage, then discharged directly into the IC with no external series resistor (internal resistor < 5Ω), into pin to pin of device.

**Table 2: Operating conditions**

Symbol	Parameter	Value	Unit
$V_{CC}$	Supply Voltage <sup>1</sup>	4.5 to 5.5	V
$V_{icm}$	Common Mode Input Voltage	-Vcc+1.5V, +Vcc-1.5V	V

1) Tested in full production at 5V (±2.5V) supply voltage.

## 2 Electrical Characteristics

Table 3: Electrical characteristics for  $V_{CC} = \pm 2.5\text{Volts}$ ,  $T_{amb} = 25^\circ\text{C}$  (unless otherwise specified)

Symbol	Parameter	Test Condition	Min.	Typ.	Max.	Unit
<b>DC performance</b>						
$V_{io}$	<b>Input Offset Voltage</b> Offset Voltage between both inputs	$T_{amb}$		1.7	6.5	mV
		$T_{min.} < T_{amb} < T_{max.}$		2.1		
$\Delta V_{io}$	<b><math>V_{io}</math> drift vs. Temperature</b>	$T_{min.} < T_{amb} < T_{max.}$		4		$\mu\text{V}/^\circ\text{C}$
$I_{ib+}$	<b>Non Inverting Input Bias Current</b> DC current necessary to bias the input +	$T_{amb}$		3.1	12	$\mu\text{A}$
		$T_{min.} < T_{amb} < T_{max.}$		3.5		
$I_{ib-}$	<b>Inverting Input Bias Current</b> DC current necessary to bias the input -	$T_{amb}$		0.1	5	$\mu\text{A}$
		$T_{min.} < T_{amb} < T_{max.}$		0.3		
CMR	<b>Common Mode Rejection Ratio</b> $20 \log (\Delta V_{ic}/\Delta V_{io})$	$\Delta V_{ic} = \pm 1\text{V}$	-57	-61		dB
		$T_{min.} < T_{amb} < T_{max.}$		-59		
SVR	<b>Supply Voltage Rejection Ratio</b> $20 \log (\Delta V_{cc}/\Delta V_{io})$	$\Delta V_{cc} = 3.5\text{V to } 5\text{V}$	-65	-82		dB
		$T_{min.} < T_{amb} < T_{max.}$		-79		
PSR	<b>Power Supply Rejection Ratio</b> $20 \log (\Delta V_{cc}/\Delta V_{out})$	$A_V = +1, \Delta V_{cc} = \pm 100\text{mV}$ at 1kHz		-50		dB
		$T_{min.} < T_{amb} < T_{max.}$		46		
ICC	<b>Positive Supply Current</b> DC consumption with no input signal	No load		400	530	$\mu\text{A}$
<b>Dynamic performance and output characteristics</b>						
$R_{OL}$	<b>Transimpedance</b> Output Voltage/Input Current Gain in open loop of a CFA. For a VFA, the analog of this feature is the Open Loop Gain ( $A_{VD}$ )	$R_L = 1\text{k}\Omega, V_{out} = \pm 1\text{V}$	0.6	1.45		$\text{M}\Omega$
		$T_{min.} < T_{amb} < T_{max.}$		1.36		$\text{M}\Omega$
Bw	<b>-3dB Bandwidth</b> Frequency where the gain is 3dB below the DC gain $A_V$ Note: Gain Bandwidth Product criterion is not applicable for Current-Feedback-Amplifiers	Small Signal $V_{out} = 20\text{mVp-p}$ $R_L = 1\text{k}\Omega$ $A_V = +1, R_{fb} = 3\text{k}\Omega$ $A_V = +2, R_{fb} = 3\text{k}\Omega$ $A_V = +10, R_{fb} = 510\Omega$	80	230 120 26		MHz
		<b>Gain Flatness @ 0.1dB</b> Band of frequency where the gain variation does not exceed 0.1dB	Small Signal $V_{out} = 20\text{mVp-p}$ $A_V = +2, R_L = 1\text{k}\Omega$		25	
SR	<b>Slew Rate</b> Maximum output speed of sweep in large signal	$V_{out} = 2\text{Vp-p}, A_V = +2,$ $R_L = 1\text{k}\Omega$	75	115		$\text{V}/\mu\text{s}$
$V_{OH}$	<b>High Level Output Voltage</b>	$R_L = 1\text{k}\Omega$	1.55	1.65		V
		$T_{min.} < T_{amb} < T_{max.}$		1.58		
$V_{OL}$	<b>Low Level Output Voltage</b>	$R_L = 1\text{k}\Omega$		-1.66	-1.55	V
		$T_{min.} < T_{amb} < T_{max.}$		-1.60		

Table 3: Electrical characteristics for  $V_{CC} = \pm 2.5\text{Volts}$ ,  $T_{amb} = 25^\circ\text{C}$  (unless otherwise specified)

Symbol	Parameter	Test Condition	Min.	Typ.	Max.	Unit
$I_{out}$	<b>Isink</b> Short-circuit Output current coming in the op-amp. See fig-8 for more details	Output to GND	70	110		mA
		$T_{min.} < T_{amb} < T_{max.}$		100		
	<b>Isource</b> Output current coming out from the op-amp. See fig-11 for more details	Output to GND	60	100		
		$T_{min.} < T_{amb} < T_{max.}$		85		
<b>Noise and distortion</b>						
eN	<b>Equivalent Input Noise Voltage</b> see application note on page 13	F = 100kHz		7.5		nV/ $\sqrt{\text{Hz}}$
iN	<b>Equivalent Input Noise Current (+)</b> see application note on page 13	F = 100kHz		13		pA/ $\sqrt{\text{Hz}}$
	<b>Equivalent Input Noise Current (-)</b> see application note on page 13	F = 100kHz		6		pA/ $\sqrt{\text{Hz}}$
SFDR	<b>Spurious Free Dynamic Range</b> The highest harmonic of the output spectrum when injecting a filtered sine wave	$V_{out} = 2\text{Vp-p}$ , $A_V = +2$ , $R_L = 1\text{k}\Omega$ F = 1MHz F = 10MHz		-87 -55		dBc dBc

Table 4: Closed-loop gain and feedback components

$V_{CC}$ (V)	Gain	$R_{fb}$ ( $\Omega$ )	-3dB Bw (MHz)	0.1dB Bw (MHz)
$\pm 2.5$	+10	510	26	4
	-10	510	23	4
	+2	3k	120	6
	-2	1.5k	80	10
	+1	3k	210	5
	-1	1.3k	120	60

Figure 1: Frequency Response, positive Gain

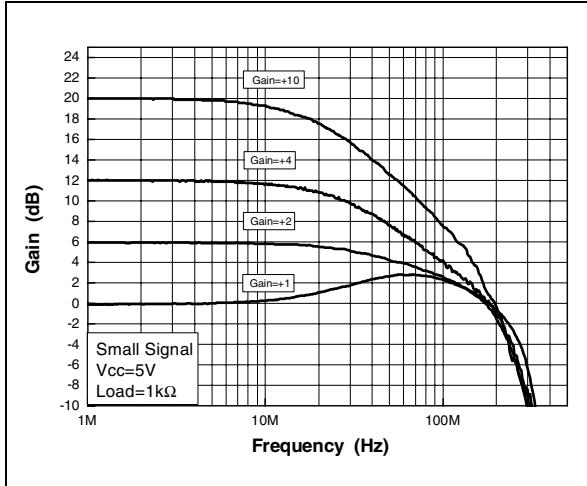


Figure 4: Frequency response, negative gain

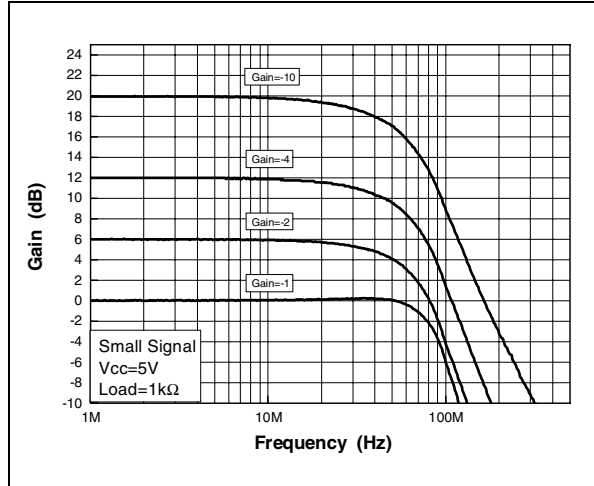


Figure 2: Gain Flatness, gain=+4

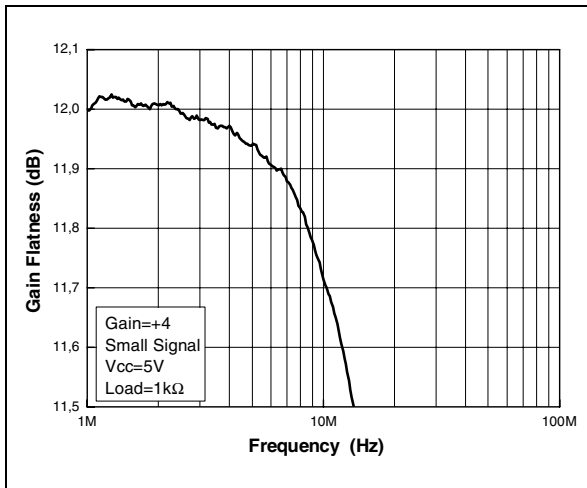


Figure 5: Gain flatness, gain=+2

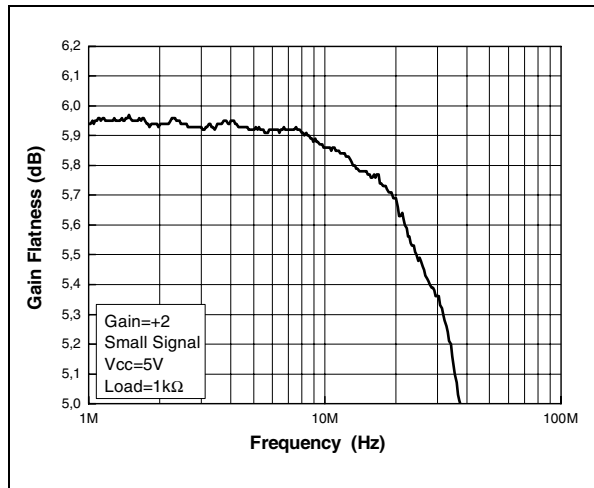


Figure 3: Frequency response vs. capa-load

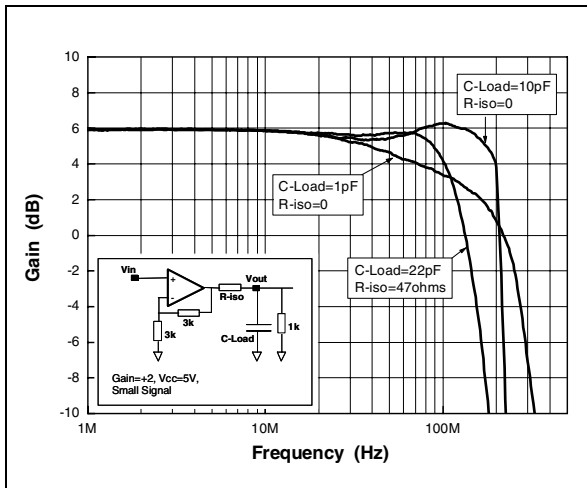


Figure 6: Step response vs. capa-load

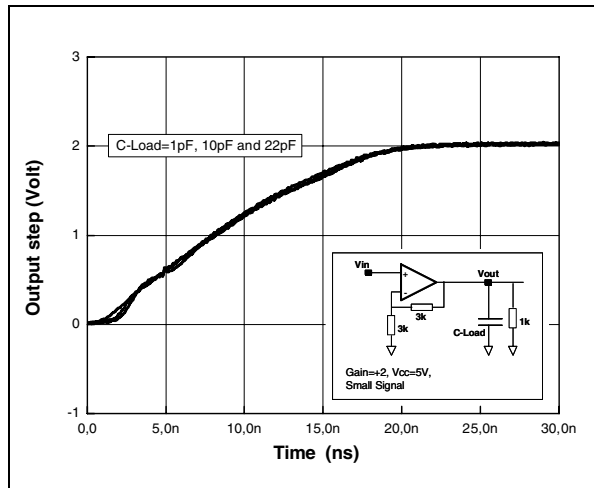


Figure 7: Slew rate

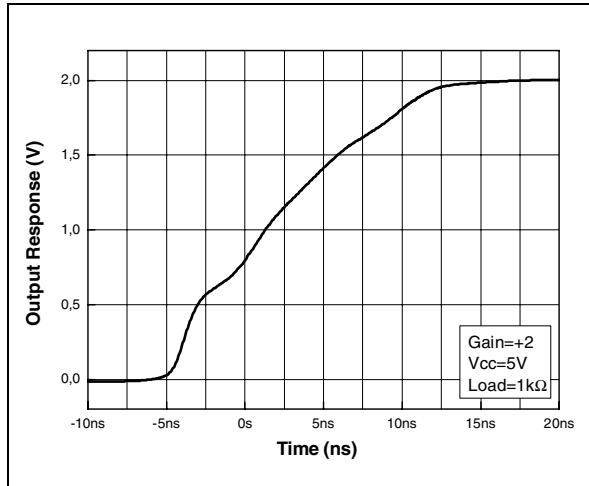


Figure 10: Quiescent current vs. Vcc

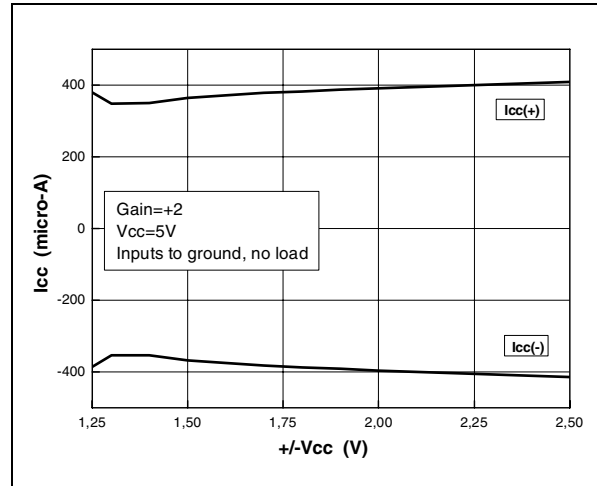


Figure 8: Isink

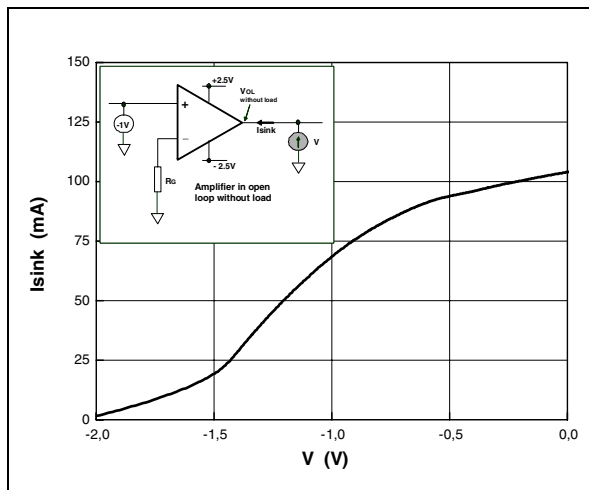


Figure 11: Isource

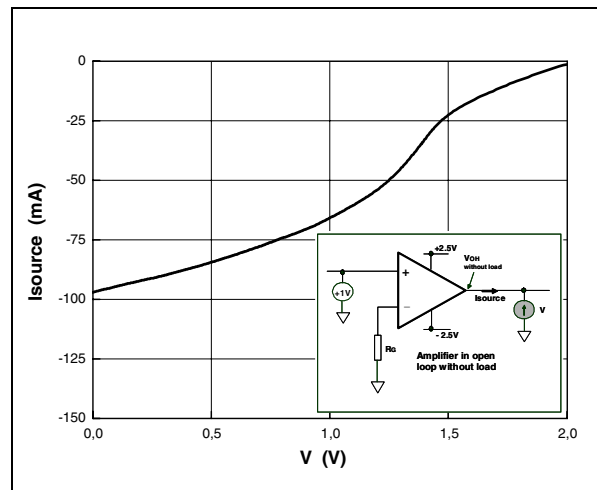


Figure 9: Output amplitude vs. load

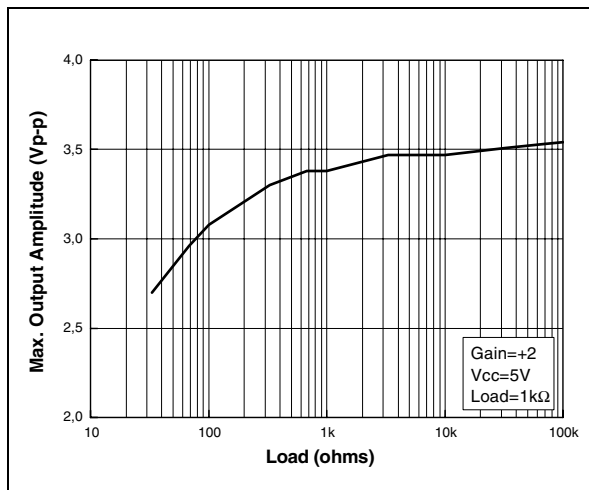


Figure 12: Input voltage noise vs. frequency

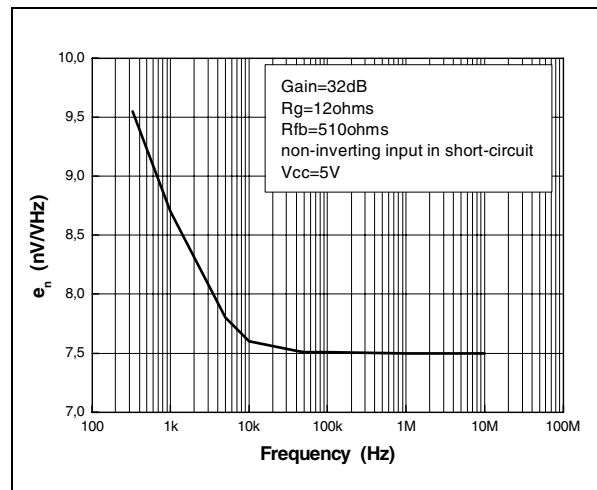


Figure 13: Distortion vs. output amplitude

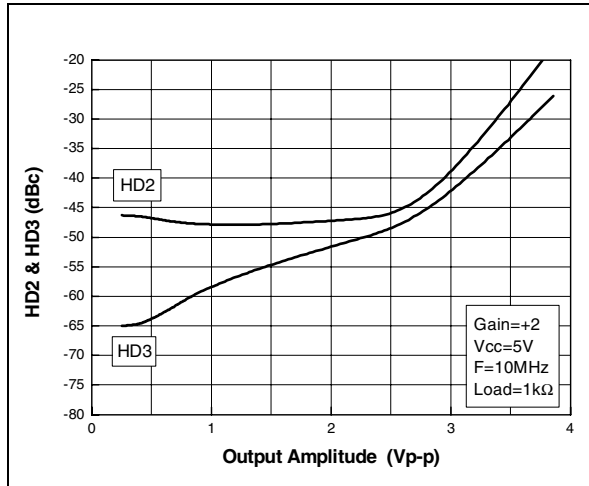


Figure 16: CMR vs. temperature

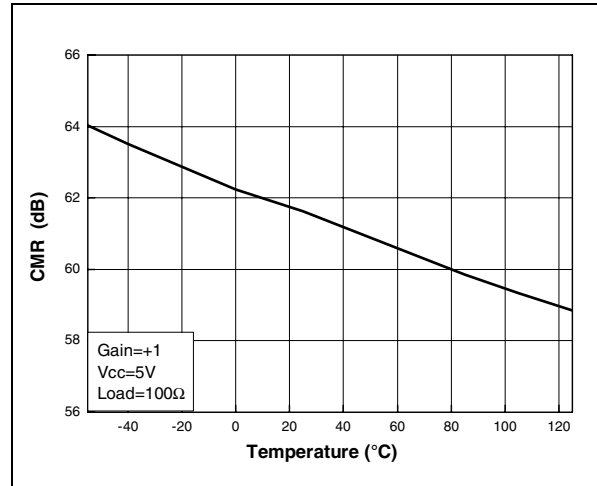


Figure 14: Output amplitude vs. frequency

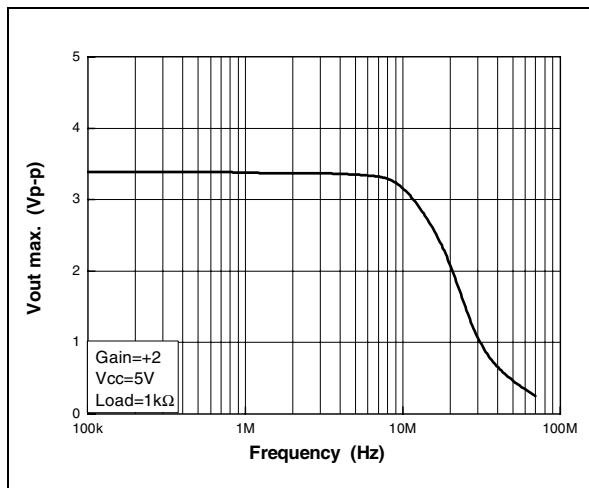


Figure 17: SVR vs. temperature

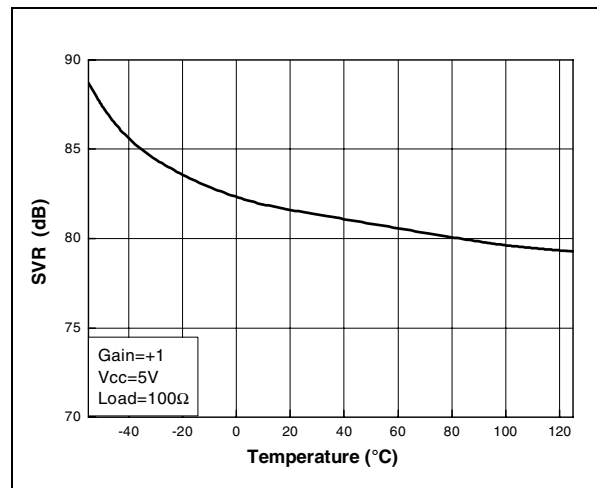


Figure 15: Bandwidth vs. temperature

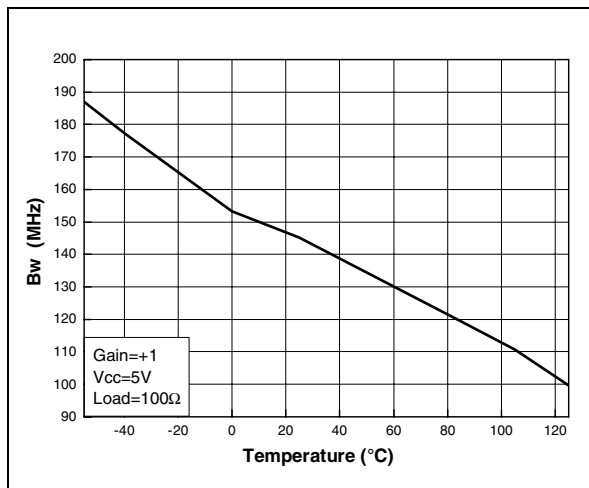


Figure 18: Slew-Rate vs. temperature

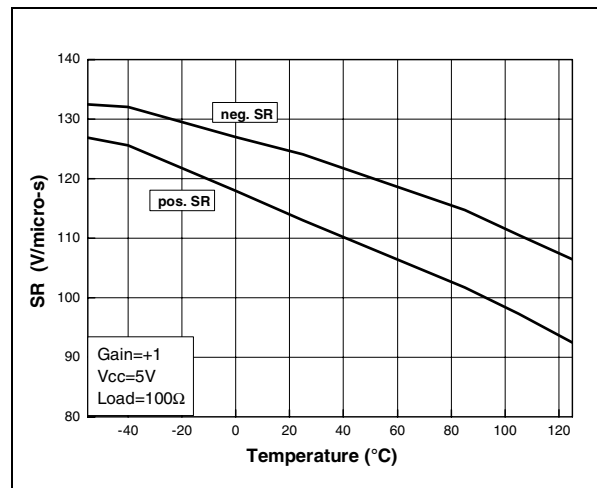


Figure 19: ROL vs. temperature

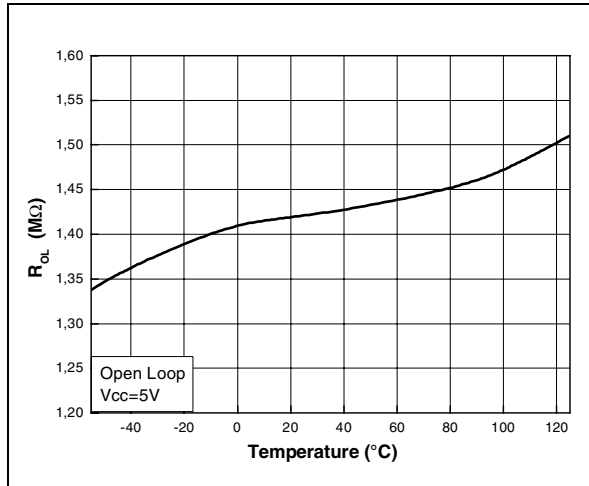


Figure 22: VOH & VOL vs. temperature

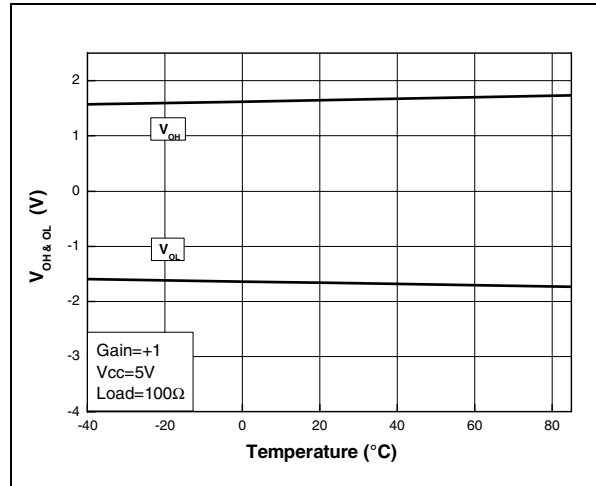


Figure 20: I-bias vs. temperature

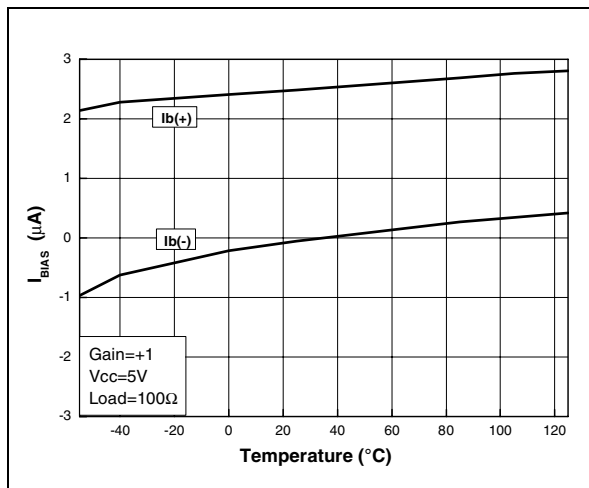


Figure 23: Icc vs. temperature

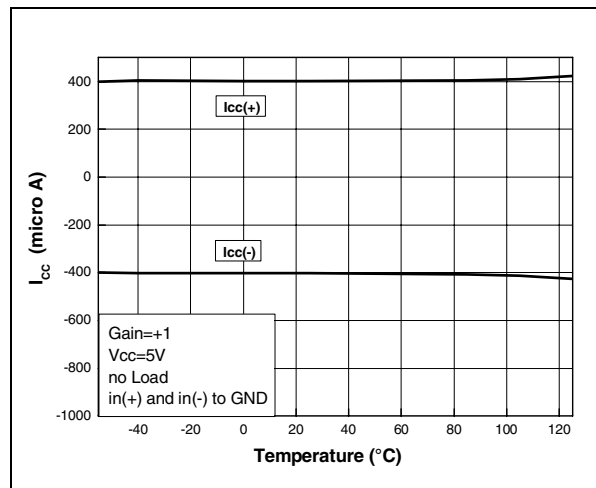


Figure 21: Vio vs. temperature

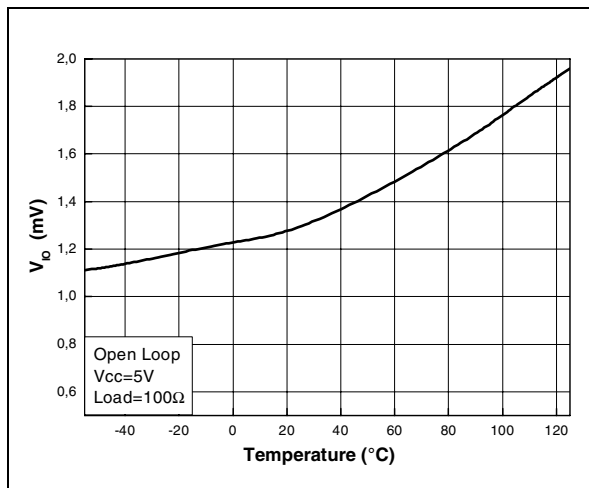
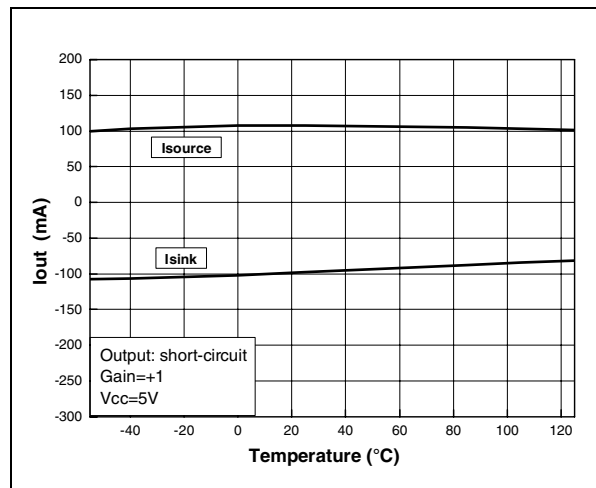


Figure 24: Iout vs. temperature





### 3 Evaluation Boards

An evaluation board kit optimized for high-speed operational amplifiers is available (order code: KITHSEVAL/STDL). The kit includes the following evaluation boards, as well as a CD-ROM containing datasheets, articles, application notes and a user manual:

- SOT23\_SINGLE\_HF BOARD: Board for the evaluation of a single high-speed op-amp in SOT23-5 package.
- SO8\_SINGLE\_HF: Board for the evaluation of a single high-speed op-amp in SO8 package.
- SO8\_DUAL\_HF: Board for the evaluation of a dual high-speed op-amp in SO8 package.
- SO8\_S\_MULTI: Board for the evaluation of a single high-speed op-amp in SO8 package in inverting and non-inverting configuration, dual and single supply.
- SO14\_TRIPLE: Board for the evaluation of a triple high-speed op-amp in SO14 package with video application considerations.

#### Board material:

- 2 layers
- FR4 ( $\epsilon_r=4.6$ )
- epoxy 1.6mm
- copper thickness: 35 $\mu\text{m}$

Figure 25: Evaluation kit for high-speed op-amps

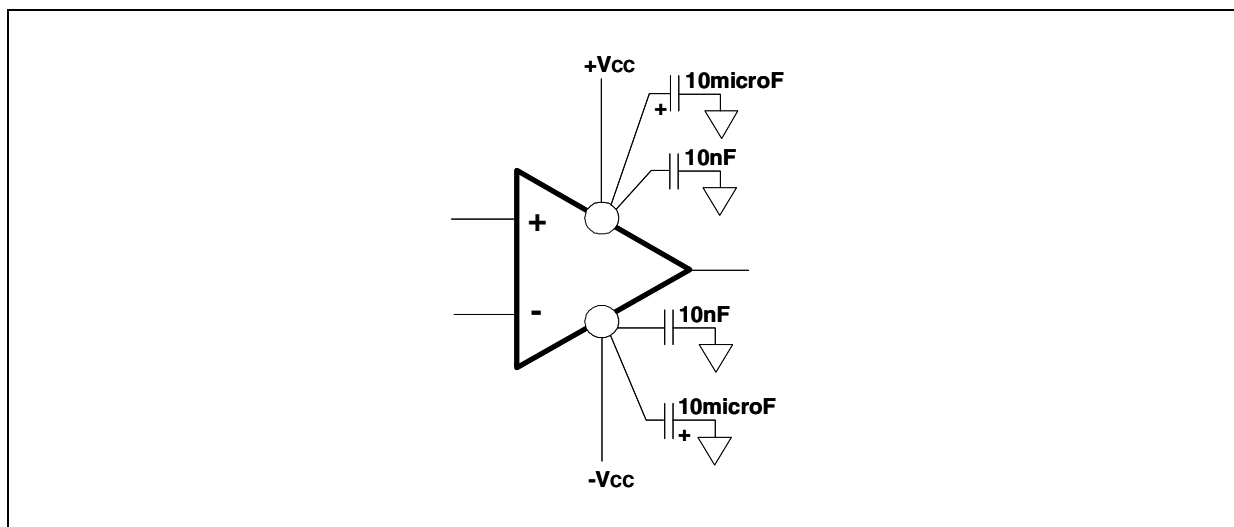


## 4 Power Supply Considerations

Correct power supply bypassing is very important for optimizing performance in high-frequency ranges. Bypass capacitors should be placed as close as possible to the IC pins to improve high-frequency bypassing. A capacitor greater than  $1\mu\text{F}$  is necessary to minimize the distortion. For better quality bypassing, a capacitor of  $10\text{nF}$  can be added using the same implementation conditions. Bypass capacitors must be incorporated for both the negative and the positive supply.

For example: on the SO8\_SINGLE\_HF board, these capacitors are C6, C7, C8, C9.

**Figure 26: Circuit for power supply bypassing**



### Single power supply

In the event that a single supply system is used, new biasing is necessary to assume a positive output dynamic range between  $0\text{V}$  and  $+V_{CC}$  supply rails. Considering the values of  $V_{OH}$  and  $V_{OL}$ , the amplifier will provide an output dynamic from  $+0.9\text{V}$  to  $+4.1\text{V}$  on  $1\text{k}\Omega$  load.

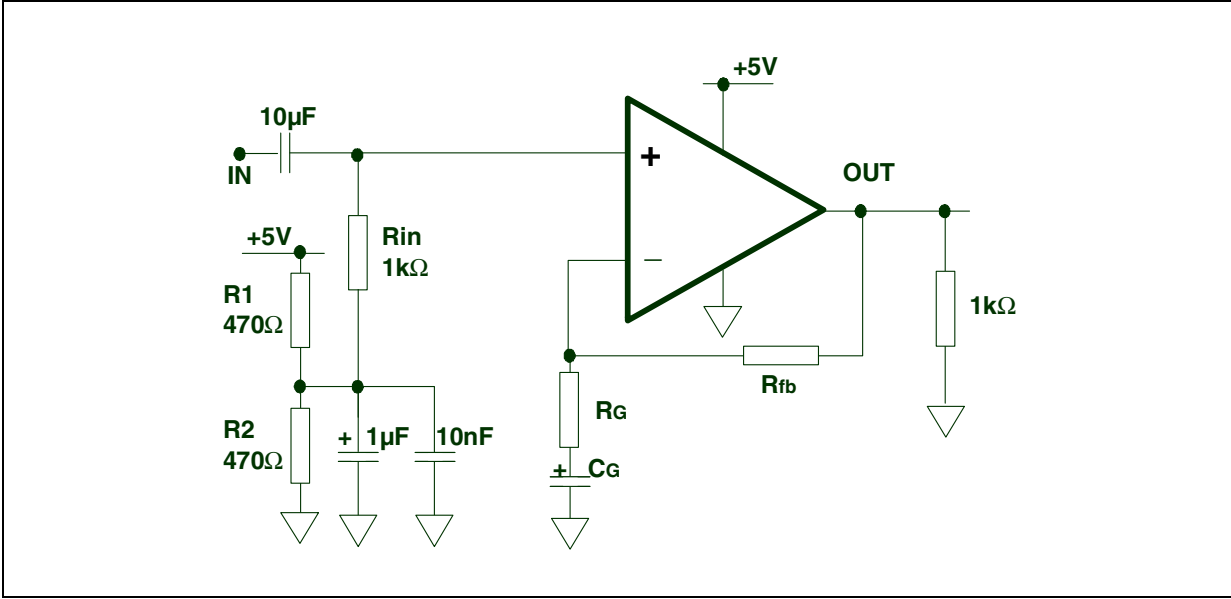
The amplifier must be biased with a mid-supply (nominally  $+V_{CC}/2$ ), in order to maintain the DC component of the signal at this value. Several options are possible to provide this bias supply, such as a virtual ground using an operational amplifier or a two-resistance divider (which is the cheapest solution). A high resistance value is required to limit the current consumption. On the other hand, the current must be high enough to bias the non-inverting input of the amplifier. If we consider this bias current ( $55\mu\text{A}$  max.) as the 1% of the current through the resistance divider to keep a stable mid-supply, two resistances of  $470\Omega$  can be used.

The input provides a high pass filter with a break frequency below  $10\text{Hz}$  which is necessary to remove the original  $0\text{V}$  DC component of the input signal, and to fix it at  $+V_{CC}/2$ .

[Figure 27](#) illustrates a  $5\text{V}$  single power supply configuration for the SO8\_SINGLE evaluation board (see [Evaluation Boards](#) on page 9).

A capacitor  $C_G$  is added in the gain network to ensure a unity gain in low frequency to keep the right DC component at the output.  $C_G$  contributes to a high-pass filter with  $R_{fb}/R_G$  and its value is calculated with a consideration of the cut-off frequency of this low-pass filter.

Figure 27: Circuit for +5V single supply

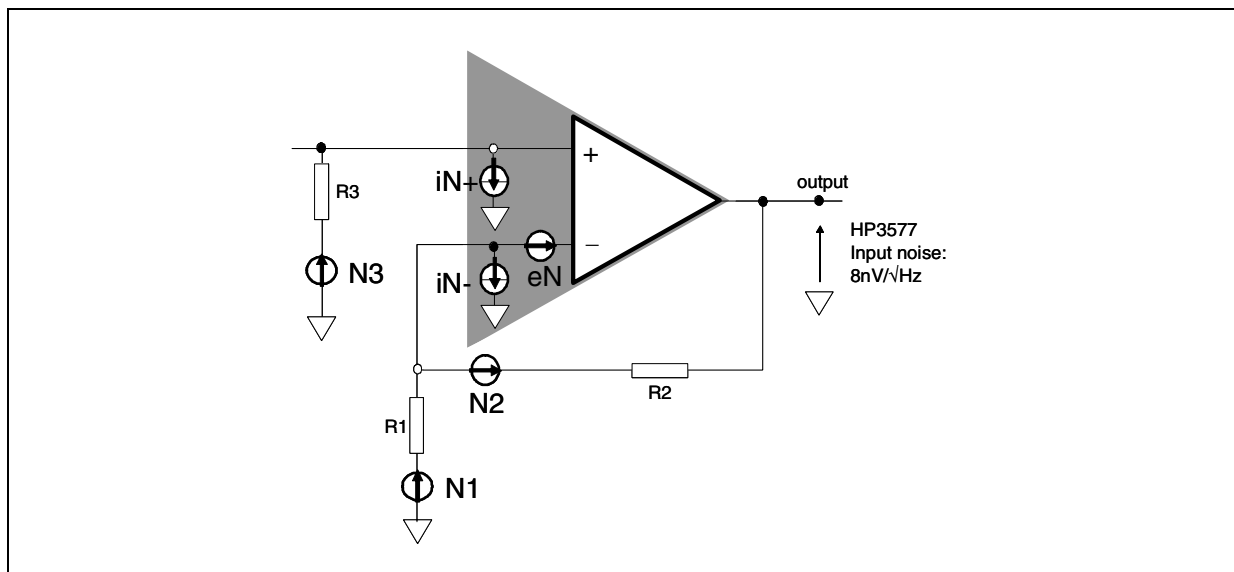


## 5 Noise Measurements

The noise model is shown in [Figure 28](#), where:

- eN: input voltage noise of the amplifier
- iNn: negative input current noise of the amplifier
- iNp: positive input current noise of the amplifier

**Figure 28: Noise model**



The thermal noise of a resistance R is:

$$\sqrt{4kTR\Delta F}$$

where  $\Delta F$  is the specified bandwidth.

On a 1Hz bandwidth the thermal noise is reduced to

$$\sqrt{4kTR}$$

where k is the Boltzmann's constant, equal to  $1,374.10 \cdot 10^{-23} \text{J}/^\circ\text{K}$ . T is the temperature ( $^\circ\text{K}$ ).

The output noise eNo is calculated using the Superposition Theorem. However eNo is not the simple sum of all noise sources, but rather the square root of the sum of the square of each noise source, as shown in [Equation 1](#):

$$eNo = \sqrt{V1^2 + V2^2 + V3^2 + V4^2 + V5^2 + V6^2} \quad \text{Equation 1}$$

$$eNo^2 = eN^2 \times g^2 + iNn^2 \times R2^2 + iNp^2 \times R3^2 \times g^2 + \frac{R2^2}{R1} \times 4kTR1 + 4kTR2 + 1 + \frac{R2^2}{R1} \times 4kTR3 \quad \text{Equation 2}$$

The input noise of the instrumentation must be extracted from the measured noise value. The real output noise value of the driver is:

$$eNo = \sqrt{(\text{Measured})^2 - (\text{instrumentation})^2} \quad \text{Equation 3}$$

The input noise is called the Equivalent Input Noise as it is not directly measured but is evaluated from the measurement of the output divided by the closed loop gain ( $eNo/g$ ).

After simplification of the fourth and the fifth term of [Equation 2](#) we obtain:

$$eNo^2 = eN^2 \times g^2 + iNn^2 \times R2^2 + iNp^2 \times R3^2 \times g^2 + g \times 4kTR2 + 1 + \frac{R2^2}{R1} \times 4kTR3 \quad \text{Equation 4}$$

### Measurement of the input voltage noise $eN$

If we assume a short-circuit on the non-inverting input ( $R3=0$ ), from [Equation 4](#) we can derive:

$$eNo = \sqrt{eN^2 \times g^2 + iNn^2 \times R2^2 + g \times 4kTR2} \quad \text{Equation 5}$$

In order to easily extract the value of  $eN$ , the resistance  $R2$  will be chosen to be as low as possible. In the other hand, the gain must be large enough:

$$R3=0, \text{ gain: } g=100$$

### Measurement of the negative input current noise $iNn$

To measure the negative input current noise  $iNn$ , we set  $R3=0$  and use [Equation 5](#). This time the gain must be lower in order to decrease the thermal noise contribution:

$$R3=0, \text{ gain: } g=10$$

### Measurement of the positive input current noise $iNp$

To extract  $iNp$  from [Equation 3](#), a resistance  $R3$  is connected to the non-inverting input. The value of  $R3$  must be chosen in order to keep its thermal noise contribution as low as possible against the  $iNp$  contribution:

$$R3=100\Omega, \text{ gain: } g=10$$

## 6 Intermodulation Distortion Product

The non-ideal output of the amplifier can be described by the following series:

$$V_{out} = C_0 + C_1 V_{in} + C_2 V_{in}^2 + \dots + C_n V_{in}^n$$

due to non-linearity in the input-output amplitude transfer, where the input is  $V_{in} = A \sin \omega t$ ,  $C_0$  is the DC component,  $C_1(V_{in})$  is the fundamental and  $C_n$  is the amplitude of the harmonics of the output signal  $V_{out}$ .

A one-frequency (one-tone) input signal contributes to harmonic distortion. A two-tone input signal contributes to harmonic distortion and to the intermodulation product.

The study of the intermodulation and distortion for a two-tone input signal is the first step in characterizing the driving capability of multi-tone input signals.

In this case:

$$V_{in} = A \sin \omega_1 t + A \sin \omega_2 t$$

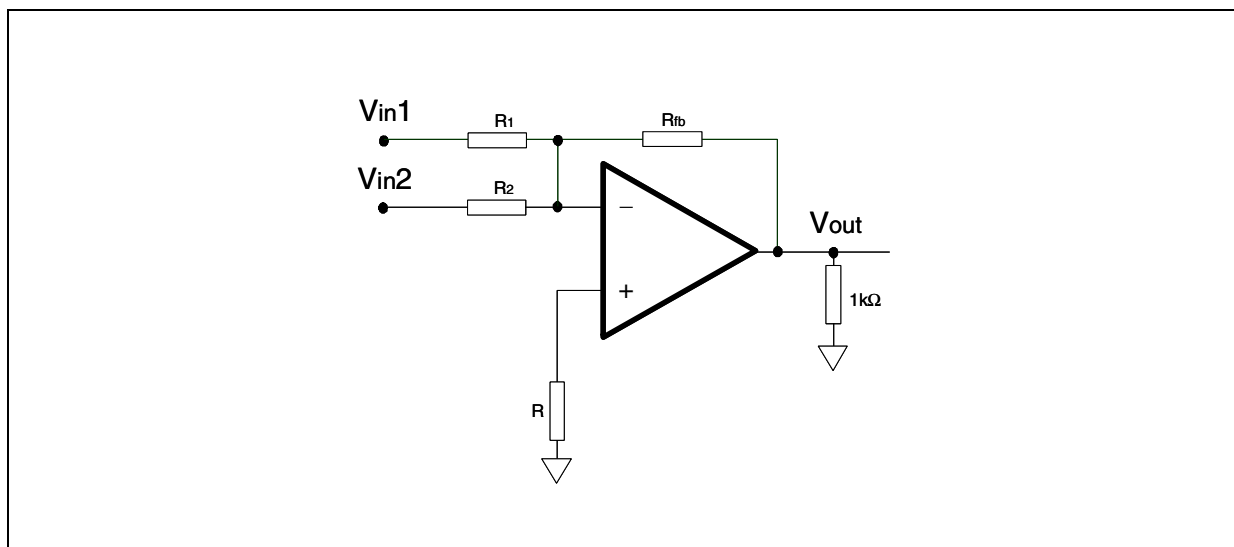
then:

$$V_{out} = C_0 + C_1(A \sin \omega_1 t + A \sin \omega_2 t) + C_2(A \sin \omega_1 t + A \sin \omega_2 t)^2 + \dots + C_n(A \sin \omega_1 t + A \sin \omega_2 t)^n$$

From this expression, we can extract the distortion terms, and the intermodulation terms form a single sine wave: second-order intermodulation terms IM2 by the frequencies  $(\omega_1 - \omega_2)$  and  $(\omega_1 + \omega_2)$  with an amplitude of  $C_2 A^2$  and third-order intermodulation terms IM3 by the frequencies  $(2\omega_1 - \omega_2)$ ,  $(2\omega_1 + \omega_2)$ ,  $(-\omega_1 + 2\omega_2)$  and  $(\omega_1 + 2\omega_2)$  with an amplitude of  $(3/4)C_3 A^3$ .

The measurement of the intermodulation product of the driver is achieved by using the driver as a mixer by a summing amplifier configuration (see [Figure 29](#)). In this way, the non-linearity problem of an external mixing device is avoided.

**Figure 29: Inverting summing amplifier (using evaluation board SO8\_S\_MULTI)**



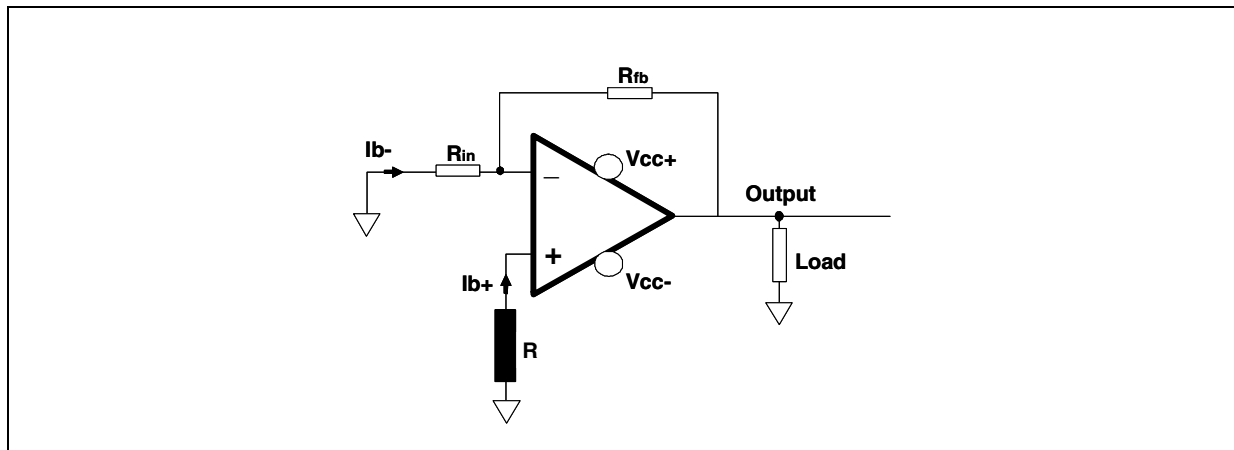
## 7 The Bias of an Inverting Amplifier

A resistance is necessary to achieve a good input biasing, such as resistance R shown in [Figure 30](#).

The magnitude of this resistance is calculated by assuming the negative and positive input bias current. The aim is to compensate for the offset bias current, which could affect the input offset voltage and the output DC component. Assuming  $I_{b-}$ ,  $I_{b+}$ ,  $R_{in}$ ,  $R_{fb}$  and a zero volt output, the resistance R will be:

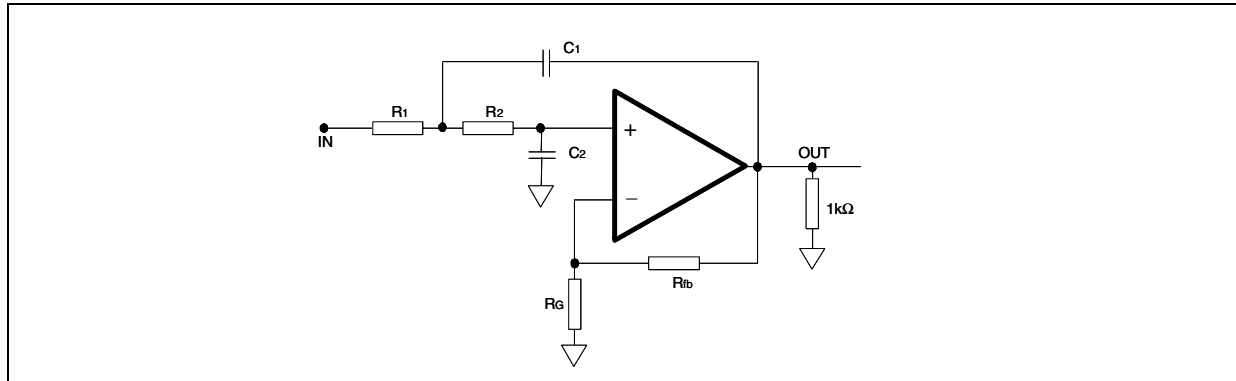
$$R = \frac{R_{in} \times R_{fb}}{R_{in} + R_{fb}}$$

Figure 30: Compensation of the input bias current



## 8 Active Filtering

Figure 31: Low-pass active filtering, Sallen-Key



From the resistors  $R_{fb}$  and  $R_G$  we can directly calculate the gain of the filter in a classical non-inverting amplification configuration:

$$A_V = g = 1 + \frac{R_{fb}}{R_G}$$

We assume the following expression as the response of the system:

$$T_{j\omega} = \frac{V_{out,j\omega}}{V_{in,j\omega}} = \frac{g}{1 + 2\zeta \frac{j\omega}{\omega_c} + \frac{(j\omega)^2}{\omega_c^2}}$$

The cut-off frequency is not gain-dependent and so becomes:

$$\omega_c = \frac{1}{\sqrt{R_1 R_2 C_1 C_2}}$$

The damping factor is calculated by the following expression:

$$\zeta = \frac{1}{2} \omega_c (C_1 R_1 + C_1 R_2 + C_2 R_1 - C_1 R_1 g)$$

The higher the gain, the more sensitive the damping factor is. When the gain is higher than 1, it is preferable to use some very stable resistor and capacitor values. In the case of  $R_1=R_2=R$ :

$$\zeta = \frac{2C_2 - C_1 \frac{R_{fb}}{Rg}}{2\sqrt{C_1 C_2}}$$

Due to a limited selection of values of capacitors in comparison with resistors, we can fix  $C_1=C_2=C$ , so that:

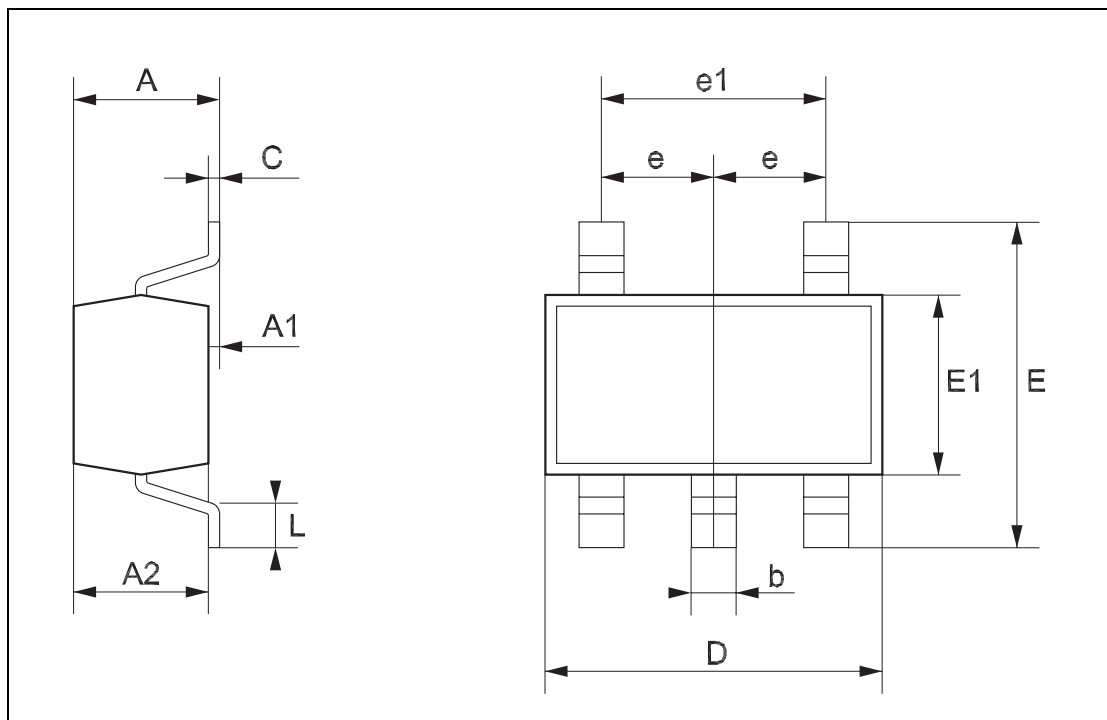
$$\zeta = \frac{2R_2 - R_1 \frac{R_{fb}}{Rg}}{2\sqrt{R_1 R_2}}$$



9 Package Mechanical Data

**SOT23-5L MECHANICAL DATA**

DIM.	mm.			mils		
	MIN.	TYP	MAX.	MIN.	TYP.	MAX.
A	0.90		1.45	35.4		57.1
A1	0.00		0.15	0.0		5.9
A2	0.90		1.30	35.4		51.2
b	0.35		0.50	13.7		19.7
C	0.09		0.20	3.5		7.8
D	2.80		3.00	110.2		118.1
E	2.60		3.00	102.3		118.1
E1	1.50		1.75	59.0		68.8
e		0.95			37.4	
e1		1.9			74.8	
L	0.35		0.55	13.7		21.6



SO-8 MECHANICAL DATA						
DIM.	mm.			inch		
	MIN.	TYP.	MAX.	MIN.	TYP.	MAX.
A	1.35		1.75	0.053		0.069
A1	0.10		0.25	0.04		0.010
A2	1.10		1.65	0.043		0.065
B	0.33		0.51	0.013		0.020
C	0.19		0.25	0.007		0.010
D	4.80		5.00	0.189		0.197
E	3.80		4.00	0.150		0.157
e		1.27			0.050	
H	5.80		6.20	0.228		0.244
h	0.25		0.50	0.010		0.020
L	0.40		1.27	0.016		0.050
k	$8^\circ$ (max.)					
ddd			0.1			0.04

The figure contains three mechanical drawings of the SO-8 package:

- Top View:** Shows the package with dimensions D (width), B (lead width), and e (pitch). A surface texture symbol is shown with 'ddd' and 'C'.
- Side View:** Shows dimensions A (total height), A1 (lead height), A2 (body height), and C (lead thickness). A chamfered lead is shown with a 45-degree angle (hx45°).
- Perspective View:** Shows the package with dimensions E (body length), H (total height), L (lead length), and k (lead angle). A 'SEATING PLANE' is indicated at dimension C, and a '0.25 mm GAGE PLANE' is shown on the lead.

0016023/C

## 10 Revision History

Date	Revision	Description of Changes
01 Oct 2004	1	First release corresponding to Preliminary Data version of datasheet.
December 2004	2	Release of mature product datasheet.

Information furnished is believed to be accurate and reliable. However, STMicroelectronics assumes no responsibility for the consequences of use of such information nor for any infringement of patents or other rights of third parties which may result from its use. No license is granted by implication or otherwise under any patent or patent rights of STMicroelectronics. Specifications mentioned in this publication are subject to change without notice. This publication supersedes and replaces all information previously supplied. STMicroelectronics products are not authorized for use as critical components in life support devices or systems without express written approval of STMicroelectronics.

The ST logo is a registered trademark of STMicroelectronics  
All other names are the property of their respective owners

© 2004 STMicroelectronics - All rights reserved

STMicroelectronics group of companies

Australia - Belgium - Brazil - Canada - China - Czech Republic - Finland - France - Germany - Hong Kong - India - Israel - Italy - Japan - Malaysia - Malta - Morocco - Singapore - Spain - Sweden - Switzerland - United Kingdom - United States of America

[www.st.com](http://www.st.com)