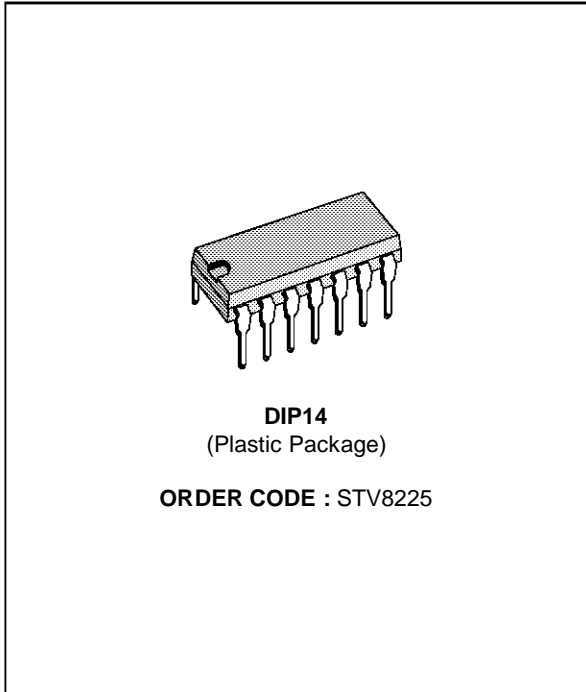


AM SIF CIRCUIT

- SOUND AM SYNCHRONOUS DEMODULATOR
- AM/FM AUDIO SWITCH
- AV/TV AUDIO SWITCH
- MUTE INPUT

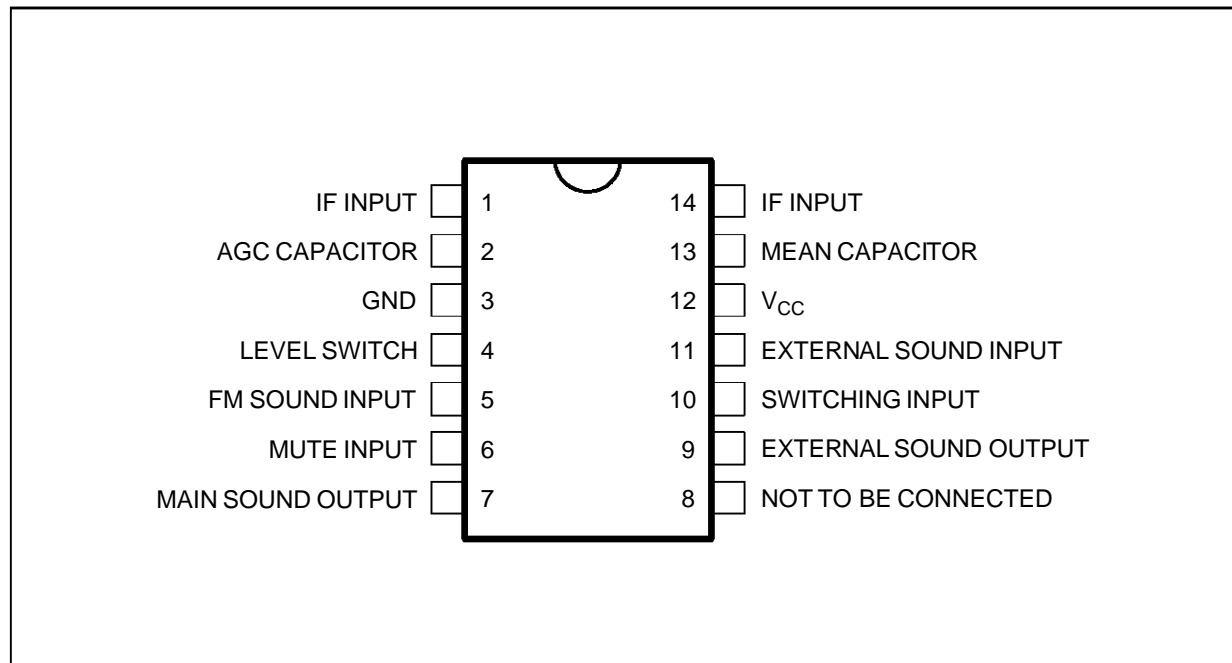


DESCRIPTION

The STV8225 is intended for the demodulation of the AM sound of the L standard.

Used as an add on to the STV8224 it permits to design a multistandard set with the needed switches for one SCART plug.

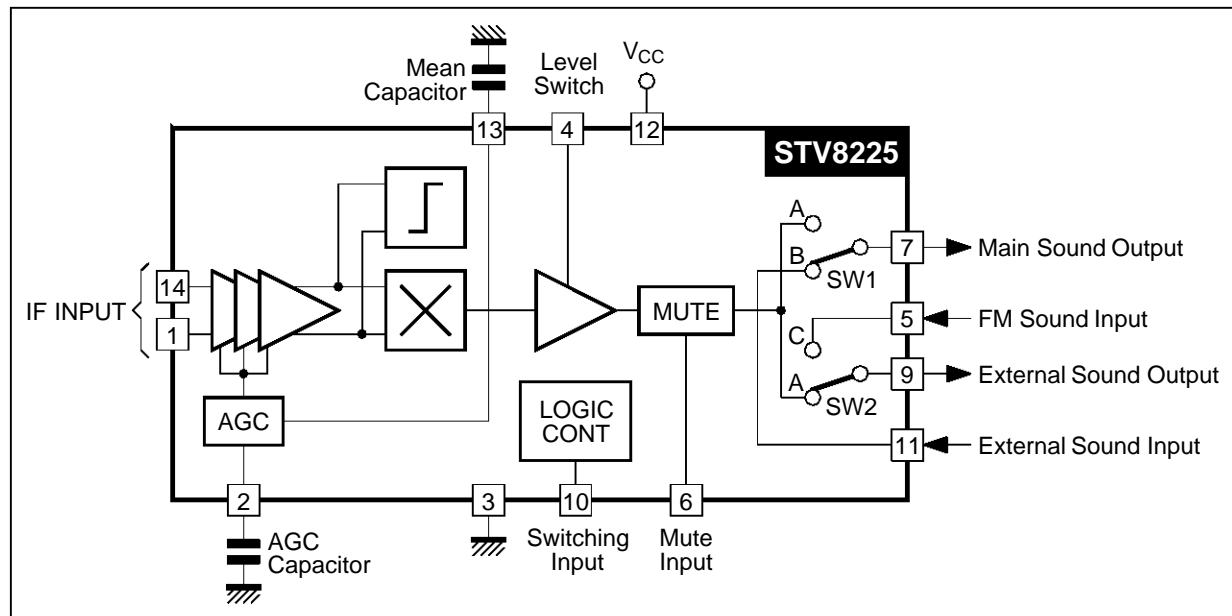
PIN CONNECTIONS



8225-01.EPS

STV8225

BLOCK DIAGRAM



ABSOLUTE MAXIMUM RATINGS

Symbol	Parameter	Value	Unit
V_{CC}	Supply Voltage	13	V
T_{stg}	Storage Temperature	-40, +150	$^{\circ}C$
T_{oper}	Operating Temperature	0, +70	$^{\circ}C$
P_{tot}	Power Dissipation	0.35	W

THERMAL DATA

Symbol	Parameter	Value	Unit
$R_{th(j-a)}$	Junction-ambient Thermal Resistance	Max. 90	$^{\circ}C/W$

ELECTRICAL CHARACTERISTICS ($V_{CC} = 9V$, $V_{IN} = 10mV_{RMS}$, $f_{SC} = 32.4MHz$, $f_m = 1kHz$, $m = 54\%$ modulation depth, Audio BW = 40Hz to 15kHz, $T_{amb} = 25^{\circ}C$, unless otherwise specified)

Symbol	Parameter	Test Conditions	Min.	Typ.	Max.	Unit
V_{CC}	Supply Voltage	Pin 12	8	9	10	V
I_{CC}	Supply Current	Pin 12		20	30	mA
	Supply Voltage Rejection	Pins 9, 7, 12 - $V_{Ripple} = 0.5V_{PP}$, $f = 100Hz$	45	53		dB

IF AMPLIFIER

R_i 1, 14	Input Resistance (Pins 1-14)	Resistance between Pin 1 and 14		2		$k\Omega$
C_i 1, 14	Input Capacitance (Pins 1-14)	Capacitance between Pin 1 and 14		2		pF
$V_{IF\ min}$	Minimum IF Input Signal	IF input signal for $V_{OUT} = V_{NOM} - 3dB$		70		μV_{RMS}
$V_{IF\ max}$	Maximum IF Input Signal	IF input signal for $V_{OUT} = V_{NOM} + 1dB$		75		mV_{RMS}
DAV	AGC Range	$DAV = V_{IF\ max} / V_{IF\ min}$		61		dB
I_{AGC}	Maximum AGC Output Current (Pin 2)	Charging and discharging	± 35	± 50	± 65	μA
	IF Bandwidth	-3dB		50		MHz

ELECTRICAL CHARACTERISTICS (continued) ($V_{CC} = 9V$, $V_{IN} = 10mV_{RMS}$, $f_{SC} = 32.4MHz$, $f_M = 1kHz$, $m = 54%$ modulation depth, Audio BW = 40Hz to 15kHz, $T_{amb} = 25^{\circ}C$, unless otherwise specified)

Symbol	Parameter	Test Conditions	Min.	Typ.	Max.	Unit
--------	-----------	-----------------	------	------	------	------

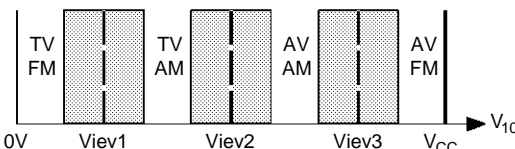
AM DEMODULATOR

	AF Output Voltage (Pins 7-9)	Level switch (Pin 4) open Level switch (Pin 4) connected to GND	200 400	250 500	300 600	mV_{RMS} mV_{RMS}
	AF Bandwidth (Pins 7-9) Lower Limit Upper Limit	-3dB versus nominal signal	50		40	Hz kHz
	Harmonic Distorsion (Pins 7-9)	THD + Noise		0.7	1.8	%
	S/N (Pins 7-9)	Weighted according to CCIR 468-4		55		dB

MUTE

	Threshold Level (Pin 6)	Mute mode if voltage below threshold	0.2	0.3	0.4	V
	Attenuation (Pins 7-9)	Level switch (Pin 4) connected to GND TV - AM mode	80	96		dB

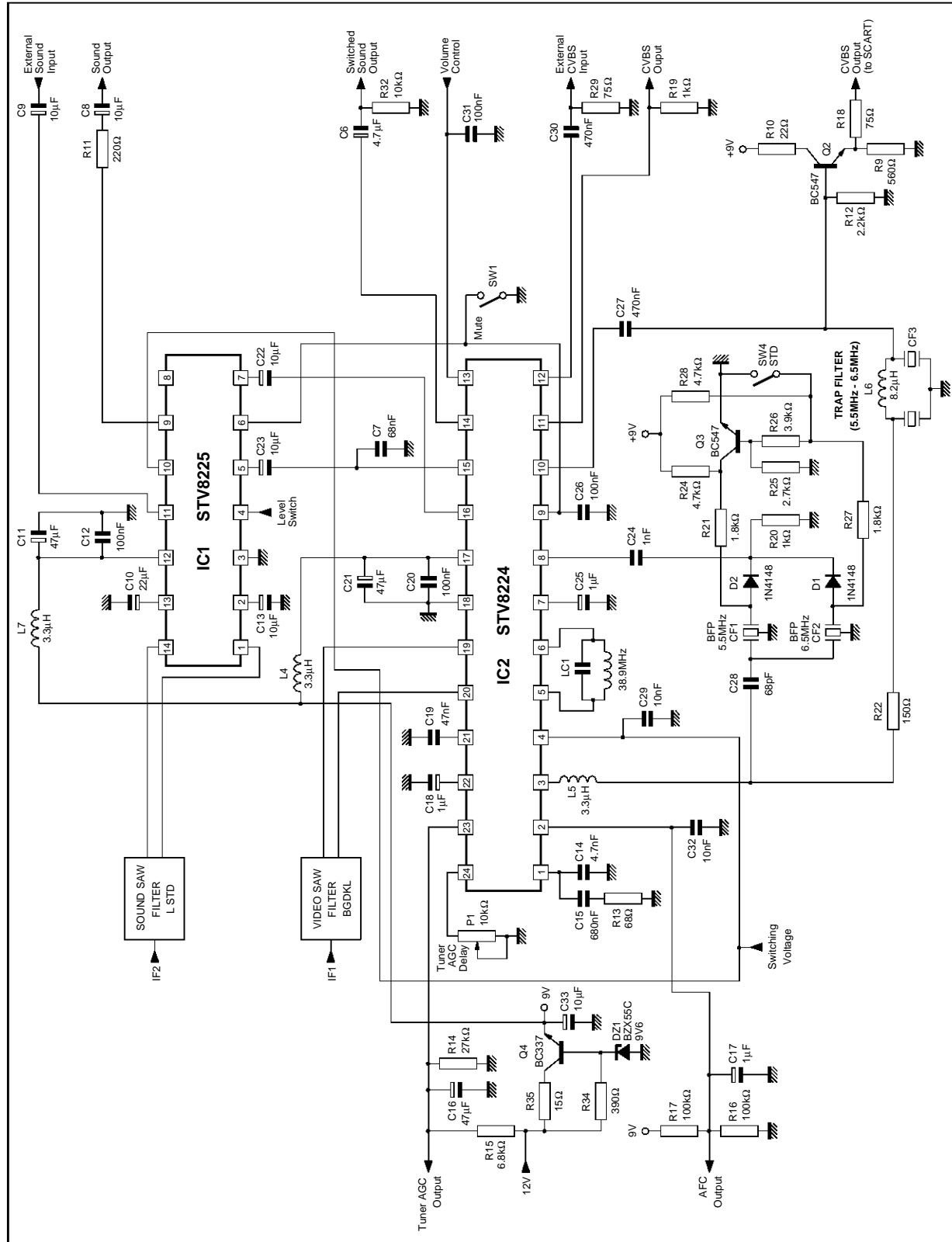
AUDIO SWITCHES

	Switching Voltage (Pin 10)	Operation mode 				
View1	Level 1 (Pin 10)	For voltage below this level TV-FM mode : Pin 7 connected to A Pin 9 connected to C	1.8	2.3	2.6	V
View2	Level 2 (Pin 10)	For voltage below this level TV-AM mode : Pin 7 connected to A Pin 9 connected to A	4.1	4.6	4.9	V
View3	Level 3 (Pin 10)	For voltage below this level AV-AM mode : Pin 7 connected to B Pin 9 connected to A For voltage above this level AV-FM mode : Pin 7 connected to B Pin 9 connected to C	6.4	6.8	7.2	V
	Input Current (Pin 10)	Source current		0.3	2	μA
	Input Dynamic Range (Pins 5-11)		2			V_{RMS}
	Input Resistance (Pins 5-11)		35	50		$k\Omega$
	Switch Gain	$V_{IN} = 2V_{RMS}$, $f = 1kHz$ Pin 7 vs Pin 11 and Pin 9 vs Pin 5	-0.6	-0.1	0.4	dB
	Crosstalk	$f = 1kHz$	70	85		dB
	Output Resistance (Pins 7-9)		70	100	130	Ω
	Output Current Source (Pins 7-9)			1		mA
	Switch Distorsion	$V_{IN} = 2V_{RMS}$, $f = 1kHz$, THD + Noise, Pin 7 vs Pin 11 and Pin 9 vs Pin 5		0.1	0.5	%
	Output Noise	Unweighted		7	20	μVp
	DC Plop at AF Output Pin			10	50	mV

8225-03.EPS

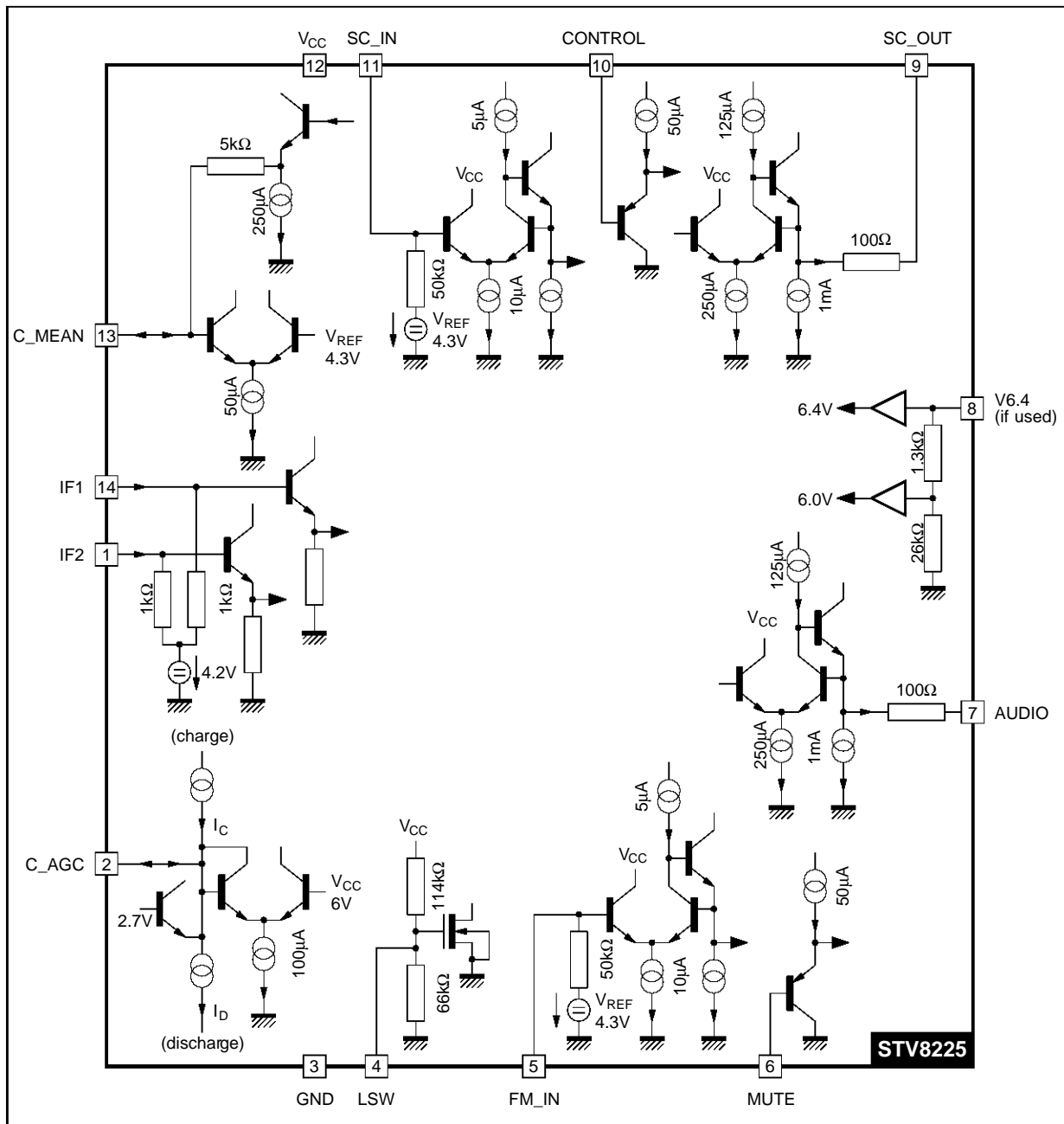
8225-04.TBL

APPLICATION DIAGRAM
STV8224 - STV8225



8225-06.EPS

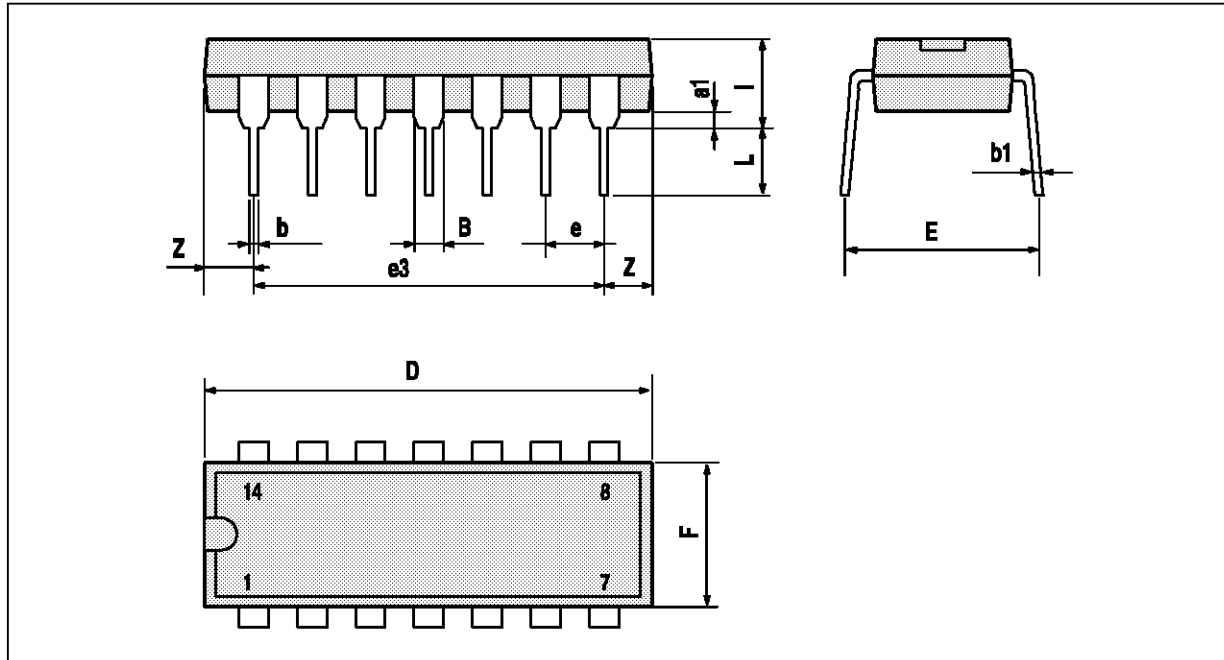
INPUT/OUTPUT PINS CONFIGURATION



8225-04.EPS

PACKAGE MECHANICAL DATA

14 PINS - PLASTIC DIP



Dimensions	Millimeters			Inches		
	Min.	Typ.	Max.	Min.	Typ.	Max.
a1	0.51			0.020		
B	1.39		1.65	0.055		0.065
b		0.5			0.020	
b1		0.25			0.010	
D			20			0.787
E		8.5			0.335	
e		2.54			0.100	
e3		15.24			0.600	
F			7.1			0.280
i			5.1			0.201
L		3.3			0.130	
Z	1.27		2.54	0.050		0.100

Information furnished is believed to be accurate and reliable. However, SGS-THOMSON Microelectronics assumes no responsibility for the consequences of use of such information nor for any infringement of patents or other rights of third parties which may result from its use. No licence is granted by implication or otherwise under any patent or patent rights of SGS-THOMSON Microelectronics. Specifications mentioned in this publication are subject to change without notice. This publication supersedes and replaces all information previously supplied. SGS-THOMSON Microelectronics products are not authorized for use as critical components in life support devices or systems without express written approval of SGS-THOMSON Microelectronics.

© 1995 SGS-THOMSON Microelectronics - All Rights Reserved

Purchase of I²C Components of SGS-THOMSON Microelectronics, conveys a license under the Philips I²C Patent. Rights to use these components in a I²C system, is granted provided that the system conforms to the I²C Standard Specifications as defined by Philips.

SGS-THOMSON Microelectronics GROUP OF COMPANIES

Australia - Brazil - China - France - Germany - Hong Kong - Italy - Japan - Korea - Malaysia - Malta - Morocco
The Netherlands - Singapore - Spain - Sweden - Switzerland - Taiwan - Thailand - United Kingdom - U.S.A.

Copyright © Each Manufacturing Company.

All Datasheets cannot be modified without permission.

This datasheet has been download from :

www.AllDataSheet.com

100% Free DataSheet Search Site.

Free Download.

No Register.

Fast Search System.

www.AllDataSheet.com