

## UHF ASK/FSK Receiver

### Description

The U3741BM is a multi-chip PLL receiver device supplied in an SO20 package. It has been specially developed for the demands of RF low-cost data transmission systems with low data rates from 1 kBaud to 10 kBaud (1 kBaud to 3.2 kBaud for FSK) in Manchester or Bi-phase code. The receiver is well suited to operate with the TEMIC PLL RF transmitter U2741B. Its main

applications are in the areas of telemetering, security technology and keyless-entry systems. It can be used in the frequency receiving range of  $f_0 = 300$  MHz to 450 MHz for ASK or FSK data transmission. All the statements made below refer to 433.92-MHz and 315-MHz applications.

### Features

- Minimal external circuitry requirements, no RF components on the PC board except adaptation to the receiver antenna
- High sensitivity, especially at low data rates
- Sensitivity reduction possible even while receiving
- Fully integrated VCO
- Low power consumption due to configurable self polling with a programmable timeframe check
- Supply voltage 4.5 V to 5.5 V, operating temperature range  $-40^{\circ}\text{C}$  to  $105^{\circ}\text{C}$
- Single-ended RF input for easy adaptation to  $\lambda/4$  antenna or printed antenna on PCB
- Low-cost solution due to high integration level
- ESD protection according to MIL-STD. 883 (4KV HBM) except Pin POUT (2KV HBM)
- High image frequency suppression due to 1 MHz IF in conjunction with a SAW front-end filter. Up to 40 dB is thereby achievable with newer SAWs.
- Programmable output port for sensitivity selection or for controlling external periphery
- Communication to  $\mu\text{C}$  possible via a single, bi-directional data line
- Power management (polling) is also possible by means of a separate pin via the  $\mu\text{C}$
- 2 different IF bandwidth versions are available (300 kHz and 600 kHz)

### System Block Diagram

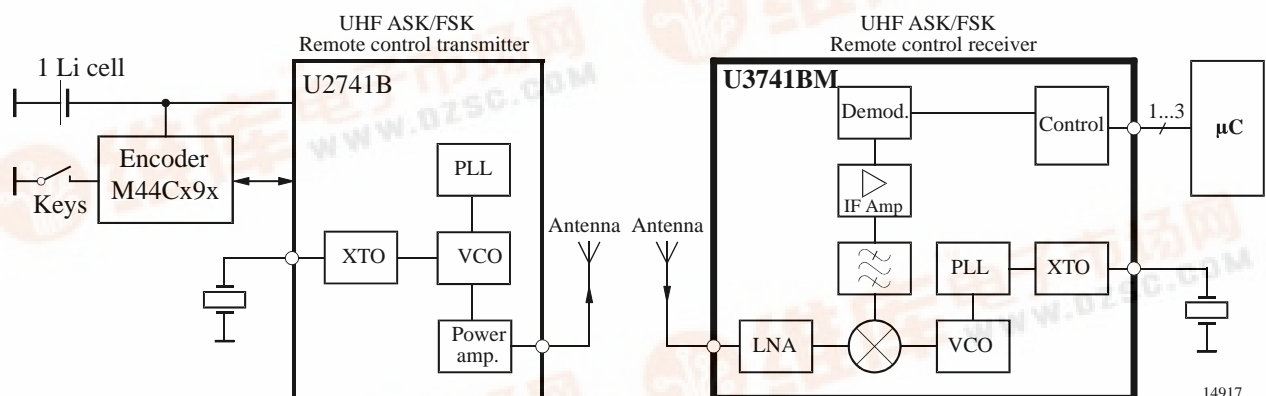


Figure 1. System block diagram

## Ordering Information

| Extended Type Number | Package | Remarks                                      |
|----------------------|---------|--|
| U3741BM-M2FL         | SO20    | 2: IF bandwidth of 300 kHz, tube             |
| U3741BM-M2FLG3       | SO20    | 2: IF bandwidth of 300 kHz, taped and reeled |
| U3741BM-M3FL         | SO20    | 3: IF bandwidth of 600 kHz, tube             |
| U3741BM-M3FLG3       | SO20    | 3: IF bandwidth of 600 kHz, taped and reeled |

## Pin Description

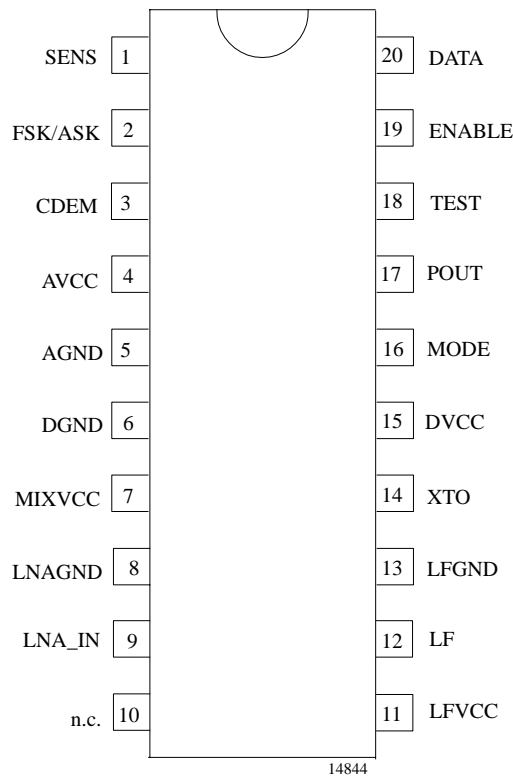


Figure 2. Pinning SO20

| Pin | Symbol  | Function   |
|-----|---------|--|
| 1   | SENS    | Sensitivity-control resistor   |
| 2   | FSK/ASK | Selecting FSK/ASK<br>Low: FSK, High: ASK   |
| 3   | CDEM    | Lower cut-off frequency data filter  |
| 4   | AVCC    | Analog power supply  |
| 5   | AGND    | Analog ground  |
| 6   | DGND    | Digital ground   |
| 7   | MIXVCC  | Power supply mixer   |
| 8   | LNAGND  | High-frequency ground LNA and mixer  |
| 9   | LNA_IN  | RF input   |
| 10  | n.c.    | Not connected  |
| 11  | LFVCC   | Power supply VCO   |
| 12  | LF      | Loop filter  |
| 13  | LFGND   | Ground VCO   |
| 14  | XTO     | Crystal oscillator   |
| 15  | DVCC    | Digital power supply   |
| 16  | MODE    | Selecting 433.92 MHz /315 MHz<br>Low: 4.90625 MHz (USA)<br>High: 6.76438 (Europe)                  |
| 17  | POUT    | Programmable output port   |
| 18  | TEST    | Test pin, during operation at GND  |
| 19  | ENABLE  | Enables the polling mode<br>Low: polling mode off (sleep mode)<br>H: polling mode on (active mode) |
| 20  | DATA    | Data output / configuration input  |

**Block Diagram**

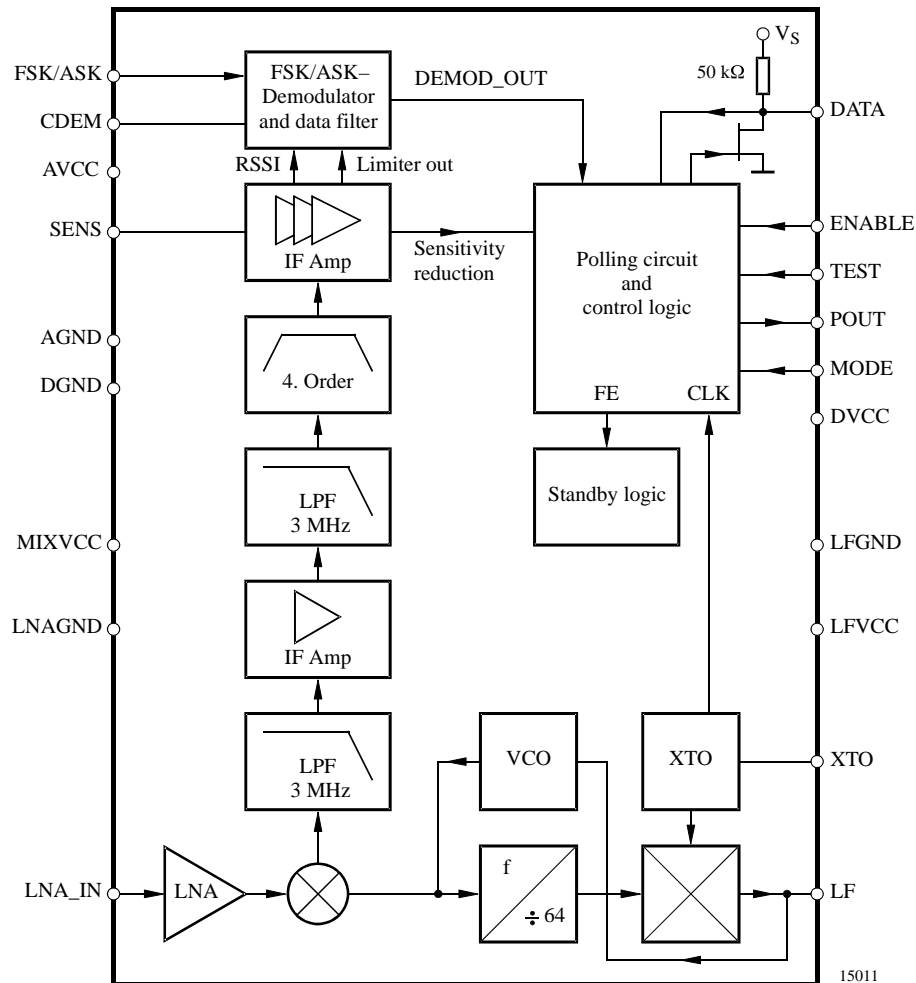


Figure 3. Block diagram

**RF Front End**

The RF front end of the receiver is a heterodyne configuration that converts the input signal into a 1-MHz IF signal. According to figure 3, the front end consists of an LNA (low noise amplifier) LO (local oscillator), a mixer and RF amplifier.

The LO generates the carrier frequency for the mixer via a PLL synthesizer. The XTO (crystal oscillator) generates the reference frequency  $f_{XTO}$ . The VCO (voltage-controlled oscillator) generates the drive voltage frequency  $f_{LO}$  for the mixer.  $f_{LO}$  is dependent on the voltage at Pin LF.  $f_{LO}$  is divided by factor 64. The divided frequency is compared to  $f_{XTO}$  by the phase frequency detector. The current output of the phase frequency detector is connected to a passive loop filter and thereby generates the control voltage  $V_{LF}$  for the VCO. By means

of that configuration  $V_{LF}$  is controlled in a way that  $f_{LO}/64$  is equal to  $f_{XTO}$ . If  $f_{LO}$  is determined,  $f_{XTO}$  can be calculated using the following formula:

$$f_{XTO} = f_{LO}/64$$

The XTO is a one-pin oscillator that operates at the series resonance of the quartz crystal. According to figure 4, the crystal should be connected to GND via a capacitor CL. The value of that capacitor is recommended by the crystal supplier. The value of CL should be optimized for the individual board layout to achieve the exact value of  $f_{XTO}$  and hereby of  $f_{LO}$ . When designing the system in terms of receiving bandwidth, the accuracy of the crystal and the XTO must be considered.

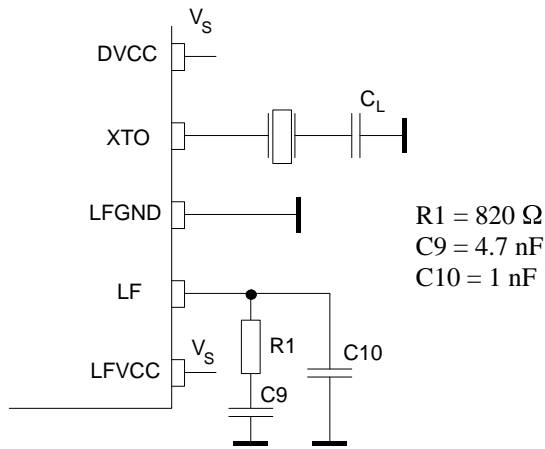


Figure 4. PLL peripherals

The passive loop filter connected to Pin LF is designed for a loop bandwidth of  $B_{Loop} = 100$  kHz. This value for  $B_{Loop}$  exhibits the best possible noise performance of the LO. Figure 4 shows the appropriate loop filter components to achieve the desired loop bandwidth. If the filter components are changed for any reason please notify that the maximum capacitive load at Pin LF is limited. If the capacitive load is exceeded, a bitcheck may no longer be possible since  $f_{LO}$  cannot settle in time before the bitcheck starts to evaluate the incoming data stream. Self polling does therefore also not work in that case.

$f_{LO}$  is determined by the RF input frequency  $f_{RF}$  and the IF frequency  $f_{IF}$  using the following formula:

$$f_{LO} = f_{RF} - f_{IF}$$

To determine  $f_{LO}$ , the construction of the IF filter must be considered at this point. The nominal IF frequency is  $f_{IF} = 1$  MHz. To achieve a good accuracy of the filter's corner frequencies, the filter is tuned by the crystal frequency  $f_{XTO}$ . This means that there is a fixed relation between  $f_{IF}$  and  $f_{LO}$ . This relation is dependent on the logic level at pin mode. This is described by the following formulas:

$$\text{MODE} = 0 \text{ (USA)} \quad f_{IF} = \frac{f_{LO}}{314}$$

$$\text{MODE} = 1 \text{ (Europe)} \quad f_{IF} = \frac{f_{LO}}{432.92}$$

The relation is designed to achieve the nominal IF frequency of  $f_{IF} = 1$  MHz for most applications. For applications where  $f_{RF} = 315$  MHz, MODE must be set to '0'. In the case of  $f_{RF} = 433.92$  MHz, MODE must be set to '1'. For other RF frequencies,  $f_{IF}$  is not equal to 1 MHz.  $f_{IF}$  is then dependent on the logical level at Pin MODE and on  $f_{RF}$ . Table 1 summarizes the different conditions.

The RF input either from an antenna or from a generator must be transformed to the RF input Pin LNA\_IN. The input impedance of that pin is provided in the electrical parameters. The parasitic board inductances and capacitances also influence the input matching. The RF receiver U3741BM exhibits its highest sensitivity at the best signal-to-noise ratio in the LNA. Hence, noise matching is the best choice for designing the transformation network.

A good practice when designing the network is to start with power matching. From that starting point, the values of the components can be varied to some extent to achieve the best sensitivity.

If a SAW is implemented into the input network a mirror frequency suppression of  $\Delta P_{Ref} = 40$  dB can be achieved. There are SAWs available that exhibit a notch at  $\Delta f = 2$  MHz. These SAWs work best for an intermediate frequency of IF = 1 MHz. The selectivity of the receiver is also improved by using a SAW. In typical automotive applications, a SAW is used.

Figure 5 shows a typical input matching network, for  $f_{RF} = 315$  MHz and  $f_{RF} = 433.92$  MHz using a SAW. Figure 6 illustrates an according input matching to 50  $\Omega$  without a SAW. The input matching networks shown in figure 6 are the reference networks for the parameters given in the electrical characteristics.

Table 1. Calculation of LO and IF frequency

| Conditions  | Local Oscillator Frequency                     | Intermediate Frequency           |
|---|--|----------------------------------|
| $f_{RF} = 315$ MHz, MODE = 0                            | $f_{LO} = 314$ MHz                             | $f_{IF} = 1$ MHz                 |
| $f_{RF} = 433.92$ MHz, MODE = 1                         | $f_{LO} = 432.92$ MHz                          | $f_{IF} = 1$ MHz                 |
| $300 \text{ MHz} < f_{RF} < 365 \text{ MHz}$ , MODE = 0 | $f_{LO} = \frac{f_{RF}}{1 + \frac{1}{314}}$    | $f_{LO} = \frac{f_{RF}}{314}$    |
| $365 \text{ MHz} < f_{RF} < 450 \text{ MHz}$ , MODE = 1 | $f_{LO} = \frac{f_{RF}}{1 + \frac{1}{432.92}}$ | $f_{LO} = \frac{f_{RF}}{432.92}$ |

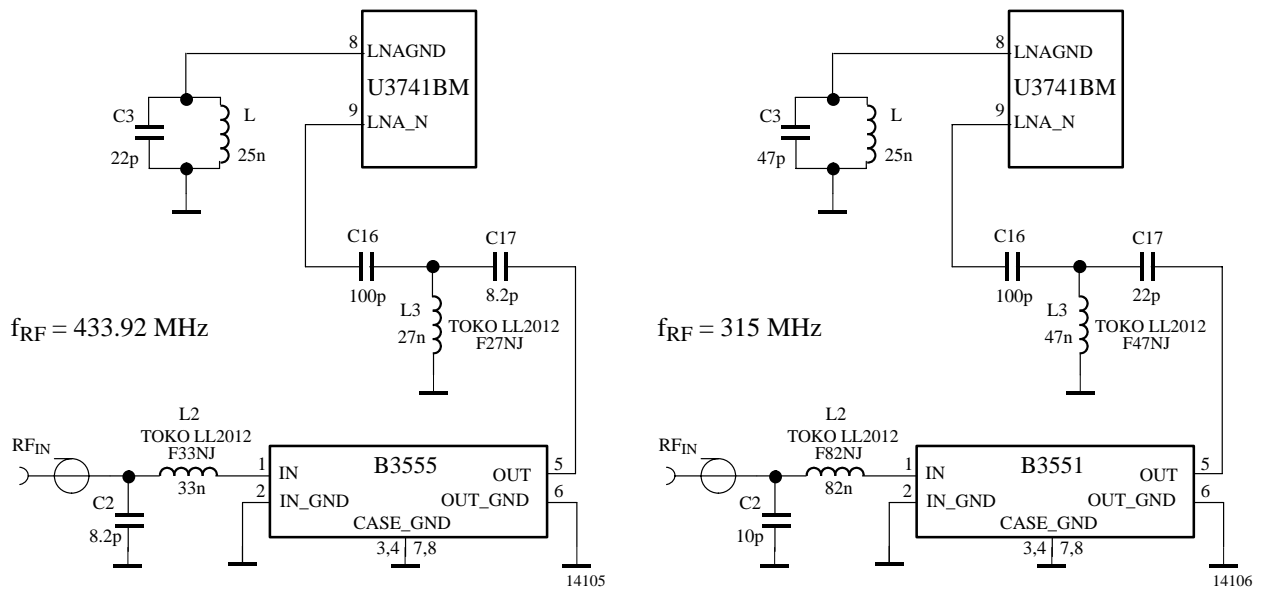


Figure 5. Input matching network with SAW filter

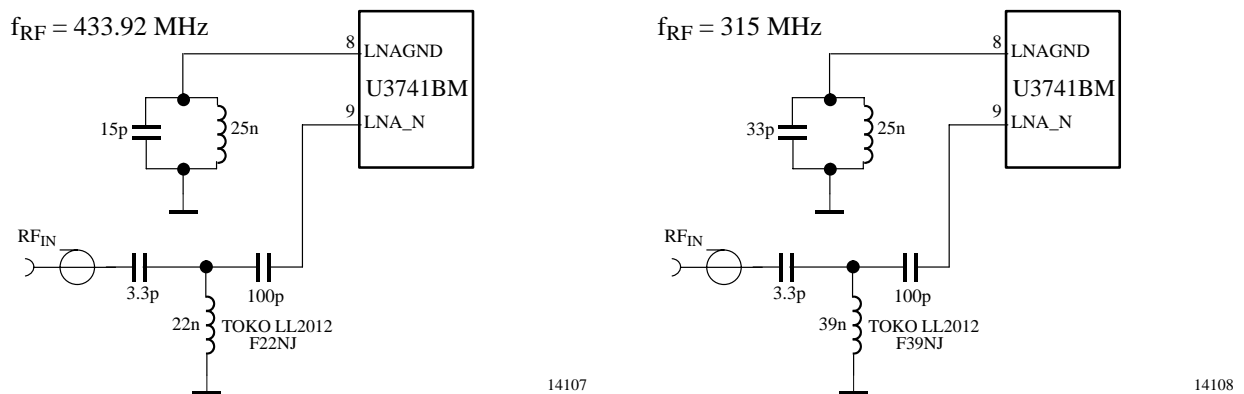


Figure 6. Input matching network without SAW filter

Please notify that for all coupling conditions (see figures 5 and 6), the bond wire inductivity of the LNA ground is compensated. C3 forms a series resonance circuit together with the bond wire. L = 25 nH is a feed inductor to establish a DC path. Its value is not critical but must be large enough not to detune the series resonance circuit. For cost reduction this inductor can be easily printed on the PCB. This configuration improves the sensitivity of the receiver by about 1 dB to 2 dB.

## Analog Signal Processing

### IF Amplifier

The signals coming from the RF front end are filtered by the fully integrated 4th-order IF filter. The IF center frequency is  $f_{IF} = 1$  MHz for applications where

$f_{RF} = 315$  MHz or  $f_{RF} = 433.92$  MHz is used. For other RF input frequencies refer to table 1 to determine the center frequency.

The U3741BM is available with 2 different IF bandwidths. U3741BM-M2, the version with  $B_{IF} = 300$  kHz, is well suited for ASK systems where the TEMIC PLL transmitter U2741B is used. The receiver U3741BM - M3 employs an IF bandwidth of  $f_{IF} = 600$  kHz. This version can be used together with the U2741B in FSK and ASK mode. If used in ASK applications, it allows higher tolerances for the receiver and PLL transmitter crystals. SAW transmitters exhibit much higher transmit frequency tolerances compared to PLL transmitters. Generally, it is necessary to use  $B_{IF} = 600$  kHz together with such transmitters.

## RSSI Amplifier

The subsequent RSSI amplifier enhances the output signal of the IF amplifier before it is fed into the demodulator. The dynamic range of this amplifier is  $DR_{RSSI} = 60$  dB. If the RSSI amplifier is operated within its linear range, the best S/N ratio is maintained in ASK mode. If the dynamic range is exceeded by the transmitter signal, the S/N ratio is defined by the ratio of the maximum RSSI output voltage and the RSSI output voltage due to a disturber. The dynamic range of the RSSI amplifier is exceeded if the RF input signal is about 60 dB higher compared to the RF input signal at full sensitivity.

In FSK mode the S/N ratio is not affected by the dynamic range of the RSSI amplifier.

The output voltage of the RSSI amplifier is internally compared to a threshold voltage  $V_{Th\_red}$ .  $V_{Th\_red}$  is determined by the value of the external resistor  $R_{Sense}$ .  $R_{Sense}$  is connected between Pin Sense and GND or  $V_S$ . The output of the comparator is fed into the digital control logic. By this means it is possible to operate the receiver at a lower sensitivity.

If  $R_{Sense}$  is connected to  $V_S$ , the receiver operates at a lower sensitivity. The reduced sensitivity is defined by the value of  $R_{Sense}$ , the maximum sensitivity by the signal-to-noise ratio of the LNA input. The reduced sensitivity is dependent on the signal strength at the output of the RSSI amplifier.

Since different RF input networks may exhibit slightly different values for the LNA gain the sensitivity values given in the electrical characteristics refer to a specific input matching. This matching is illustrated in figure 6 and exhibits the best possible sensitivity.

$R_{Sense}$  can be connected to  $V_S$  or GND via a  $\mu C$  or by the digital output port POUT of the U3741BM receiver IC. The receiver can be switched from full sensitivity to reduced sensitivity or vice versa at any time. In polling mode the receiver will not wake up if the RF input signal does not exceed the selected sensitivity. If the receiver is already active, the data stream at Pin DATA will disappear when the input signal is lower than defined by the reduced sensitivity. Instead of the data stream, the pattern according to figure 7 is issued at Pin DATA to indicate that the receiver is still active.

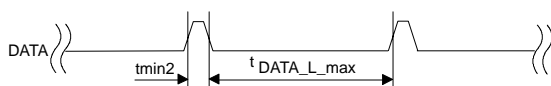


Figure 7. Steady L state limited DATA output pattern

## FSK/ASK Demodulator and Data Filter

The signal coming from the RSSI amplifier is converted into the raw data signal by the ASK/FSK demodulator. The operating mode of the demodulator is set via Pin ASK/FSK. Logic 'L' sets the demodulator to FSK, applying 'H' sets it into ASK mode.

In ASK mode an automatic threshold control circuit (ATC) is employed to set the detection reference voltage to a value where a good signal-to-noise ratio is achieved. This circuit also implies the effective suppression of any kind of inband noise signals or competing transmitters. If the S/N ratio exceeds 10 dB, the data signal can be detected properly.

The FSK demodulator is intended to be used for an FSK deviation of  $\Delta f \geq 20$  kHz. Lower values may be used but the sensitivity of the receiver is reduced in that condition. The minimum usable deviation is dependent on the selected baudrate. In ASK mode, only BR\_Range0 and BR\_Range1 are available. In FSK mode, the data signal can be detected if the S/N Ratio exceeds 2 dB.

The output signal of the demodulator is filtered by the data filter before it is fed into the digital signal processing circuit. The data filter improves the S/N ratio as its passband can be adopted to the characteristics of the data signal. The data filter consists of a 1st-order highpass and a 1st-order lowpass filter.

The highpass filter cut-off frequency is defined by an external capacitor connected to Pin CDEM. The cut-off frequency of the highpass filter is defined by the following formula:

$$f_{cu\_DF} = \frac{1}{2 \times \pi \times 30 \text{ k}\Omega \times CDEM}$$

In self-polling mode, the data filter must settle very rapidly to achieve a low current consumption. Therefore, CDEM cannot be increased to very high values if self-polling is used. On the other hand CDEM must be large enough to meet the data filter requirements according to the data signal. Recommended values for CDEM are given in the electrical characteristics. The values are slightly different for ASK and FSK mode.

The cut-off frequency of the lowpass filter is defined by the selected baudrate range (BR\_Range). BR\_Range is defined in the OPMODE register (refer to chapter 'Configuration of the Receiver'). BR\_Range must be set in accordance to the used baudrate.

The U3741BM is designed to operate with data coding where the DC level of the data signal is 50%. This is valid for Manchester and Bi-phase coding. If other modulation schemes are used, the DC level should always remain within the range of  $V_{DC\_min} = 33\%$  and  $V_{DC\_max} = 66\%$ . The sensitivity may be reduced by up to 1.5 dB in that condition.

Each BR\_Range is also defined by a minimum and a maximum edge-to-edge time ( $t_{ee\_sig}$ ). These limits are defined in the electrical characteristics. They should not be exceeded to maintain full sensitivity of the receiver.

## Receiving Characteristics

The RF receiver U3741BM can be operated with and without a SAW front end filter. In a typical automotive application, a SAW filter is used to achieve better selectivity. The selectivity with and without a SAW front end filter is illustrated in figure 8. This example relates to ASK mode and the 300-kHz bandwidth version of the U3741BM. FSK mode and the 600-kHz version of the receiver exhibit similar behavior. Note that the mirror frequency is reduced by 40 dB. The plots are printed relatively to the maximum sensitivity. If a SAW filter is used, an insertion loss of about 4 dB must be considered.

When designing the system in terms of receiving bandwidth, the LO deviation must be considered as it also determines the IF center frequency. The total LO deviation is calculated to be the sum of the deviation of the crystal and the XTO deviation of the U3741BM. Low-cost crystals are specified to be within  $\pm 100$  ppm. The XTO deviation of the U3741BM is an additional deviation due to the XTO circuit. This deviation is specified to be  $\pm 30$  ppm. If a crystal of  $\pm 100$  ppm is used, the total deviation is  $\pm 130$  ppm in that case. Note that the receiving bandwidth and the IF-filter bandwidth are equivalent in ASK mode but not in FSK mode.

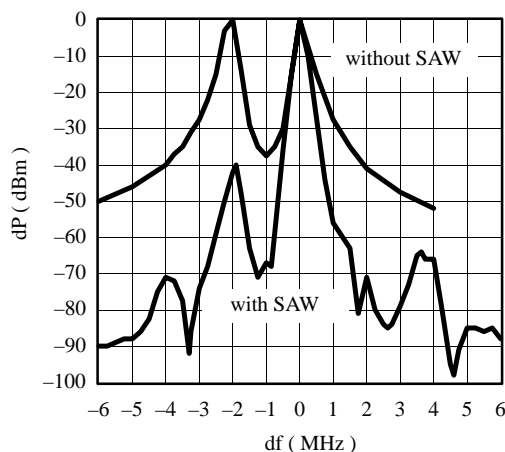


Figure 8. Receiving frequency response

## Polling Circuit and Control logic

The receiver is designed to consume less than 1 mA while being sensitive to signals from a corresponding transmitter. This is achieved via the polling circuit. This circuit enables the signal path periodically for a short time. During this time the bitcheck logic verifies the presence of a valid transmitter signal. Only if a valid signal is detected the receiver remains active and transfers the data to the connected  $\mu C$ . If there is no valid signal present the receiver is in sleep mode most of the time resulting in low current consumption. This condition is called polling mode. A connected  $\mu C$  is disabled during that time.

All relevant parameters of the polling logic can be configured by the connected  $\mu C$ . This flexibility enables the user to meet the specifications in terms of current consumption, system response time, data rate etc.

Regarding the number of connection wires to the  $\mu C$ , the receiver is very flexible. It can be either operated by a single bi-directional line to save ports to the connected  $\mu C$ . Or it can be operated by up to three uni-directional ports.

## Basic Clock Cycle of the Digital Circuitry

The complete timing of the digital circuitry and the analog filtering is derived from one clock. According to figure 9, this clock cycle  $T_{Clk}$  is derived from the crystal oscillator (XTO) in combination with a divider. The division factor is controlled by the logical state at Pin MODE. According to chapter 'RF Front End', the frequency of the crystal oscillator ( $f_{XTO}$ ) is defined by the RF input signal ( $f_{RFIn}$ ) which also defines the operating frequency of the local oscillator ( $f_{LO}$ ).

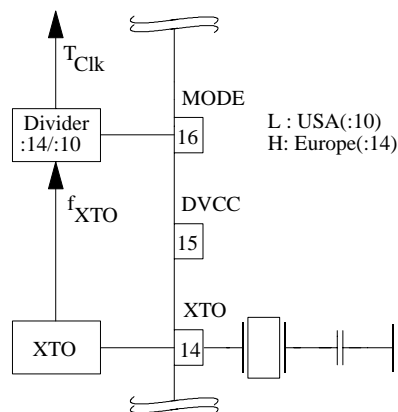


Figure 9. Generation of the basic clock cycle

Pin MODE can now be set in accordance with the desired clock cycle  $T_{CLK}$ .  $T_{CLK}$  controls the following application-relevant parameters:

- Timing of the polling circuit including bitcheck
- Timing of the analog and digital signal processing
- Timing of the register programming
- Frequency of the reset marker
- IF filter center frequency ( $f_{IF0}$ )

Most applications are dominated by two transmission frequencies:  $f_{Send} = 315$  MHz is mainly used in USA,  $f_{Send} = 433.92$  MHz in Europe. In order to ease the usage of all  $T_{CLK}$ -dependent parameters on this electrical characteristics display three conditions for each parameter.

- Application USA  
( $f_{XTO} = 4.90625$  MHz, MODE = L,  $T_{CLK} = 2.0383$   $\mu$ s)
- Application Europe  
( $f_{XTO} = 6.76438$  MHz, MODE = H,  $T_{CLK} = 2.0697$   $\mu$ s)
- Other applications  
( $T_{CLK}$  is dependent on  $f_{XTO}$  and on the logical state of Pin MODE. The electrical characteristic is given as a function of  $T_{CLK}$ ).

The clock cycle of some function blocks depends on the selected baud rate range (BR\_Range) which is defined in the OPMODE register. This clock cycle  $T_{XCLK}$  is defined by the following formulas for further reference:

$$\begin{aligned} \text{BR\_Range} = \text{BR\_Range0: } T_{XCLK} &= 8 \times T_{CLK} \\ \text{BR\_Range1: } T_{XCLK} &= 4 \times T_{CLK} \\ \text{BR\_Range2: } T_{XCLK} &= 2 \times T_{CLK} \\ \text{BR\_Range3: } T_{XCLK} &= 1 \times T_{CLK} \end{aligned}$$

## Polling Mode

According to figure 5 the receiver stays in polling mode in a continuous cycle of three different modes. In sleep mode the signal processing circuitry is disabled for the time period  $T_{Sleep}$  while consuming low current of  $I_S = I_{Soff}$ . During the start-up period,  $T_{Startup}$ , all signal processing circuits are enabled and settled. In the following bitcheck mode, the incoming data stream is analyzed bit by bit contra a valid transmitter signal. If no valid signal is present, the receiver is set back to sleep mode after the period  $T_{Bitcheck}$ . This period varies check by check as it is a statistical process. An average value for  $T_{Bitcheck}$  is given in the electrical characteristics. During  $T_{Startup}$  and  $T_{Bitcheck}$  the current consumption is  $I_S = I_{Son}$ . The average current consumption in polling mode is

dependent on the duty cycle of the active mode and can be calculated as:

$$I_{Spoll} = \frac{I_{Soff} \times T_{Sleep} + I_{Son} \times (T_{Startup} + T_{Bitcheck})}{T_{Sleep} + T_{Startup} + T_{Bitcheck}}$$

During  $T_{Sleep}$  and  $T_{Startup}$  the receiver is not sensitive to a transmitter signal. To guarantee the reception of a transmitted command the transmitter must start the telegram with an adequate preburst. The required length of the preburst is dependent on the polling parameters  $T_{Sleep}$ ,  $T_{Startup}$ ,  $T_{Bitcheck}$  and the startup time of a connected  $\mu$ C ( $T_{Start,\mu C}$ ).  $T_{Bitcheck}$  thus depends on the actual bitrate and the number of bits ( $N_{Bitcheck}$ ) to be tested.

The following formula indicates how to calculate the preburst length.

$$T_{Purburst} \geq T_{Sleep} + T_{Startup} + T_{Bitcheck} + T_{Start,\mu C}$$

## Sleep Mode

The length of period  $T_{Sleep}$  is defined by the 5-bit word Sleep of the OPMODE register, the extension factor  $X_{Sleep}$ , according to table 10, and the basic clock cycle  $T_{CLK}$ . It is calculated to be:

$$T_{Sleep} = \text{Sleep} \times X_{Sleep} \times 1024 \times T_{CLK}$$

In US- and European applications, the maximum value of  $T_{Sleep}$  is about 60 ms if  $X_{Sleep}$  is set to 1. The time resolution is about 2 ms in that case. The sleep time can be extended to almost half a second by setting  $X_{Sleep}$  to 8.  $X_{Sleep}$  can be set to 8 by bit  $X_{SleepStd}$  or by bit  $X_{SleepTemp}$  resulting in a different mode of action as described below:

$X_{SleepStd} = 1$  implies the standard extension factor. The sleep time is always extended.

$X_{SleepTemp} = 1$  implies the temporary extension factor. The extended sleep time is used as long as every bitcheck is OK. If the bitcheck fails once, this bit is set back to 0 automatically resulting in a regular sleep time. This functionality can be used to save current in presence of a modulated disturber similar to an expected transmitter signal. The connected  $\mu$ C is activated rarely in that condition. If the disturber disappears, the receiver switches back to regular polling and is again sensitive to appropriate transmitter signals.

According to table 7, the highest register value of Sleep sets the receiver into a permanent sleep condition. The receiver remains in that condition until another value for Sleep is programmed into the OPMODE register. This function is desirable where several devices share a single data line.



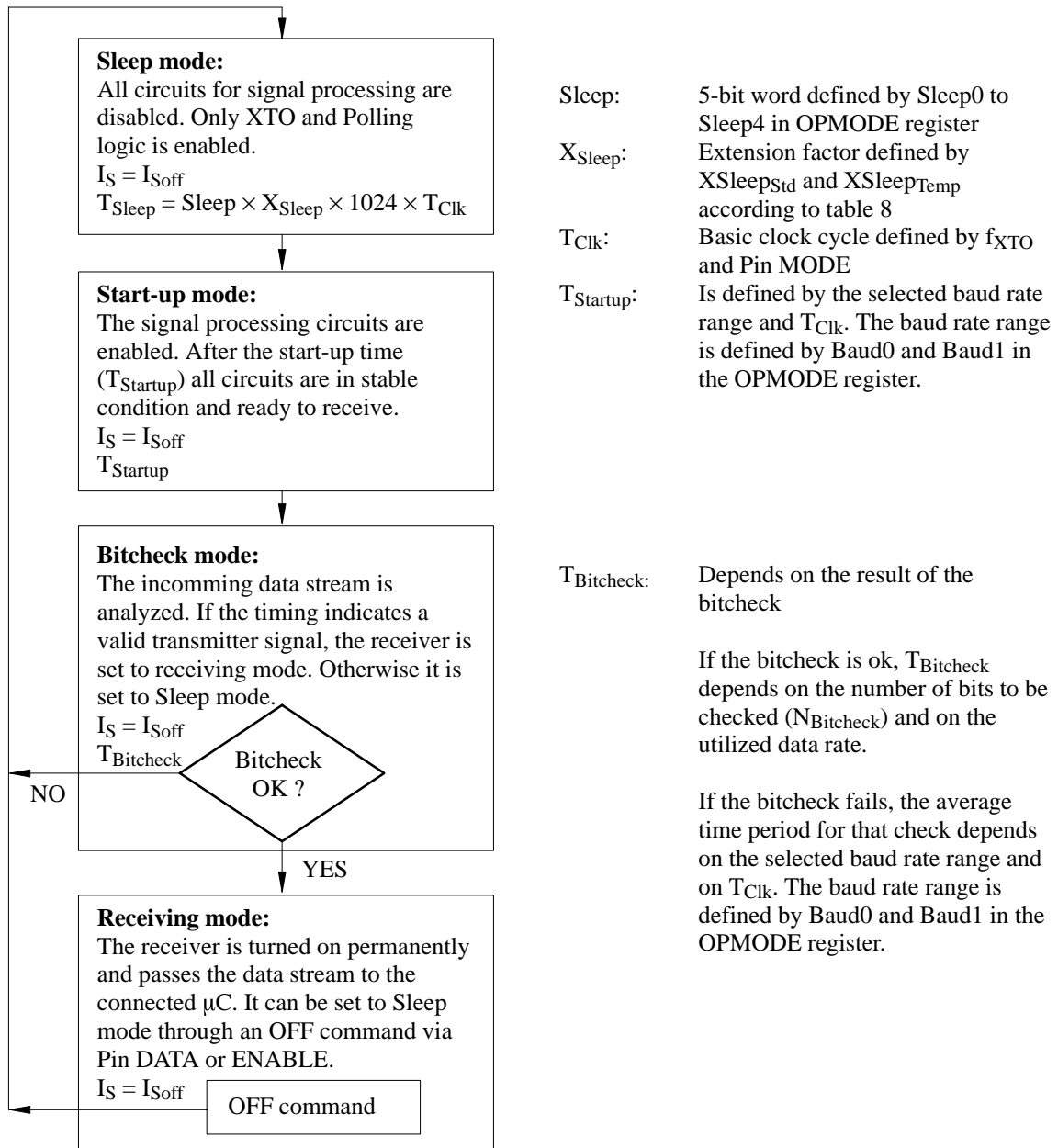


Figure 10. Polling mode flow chart

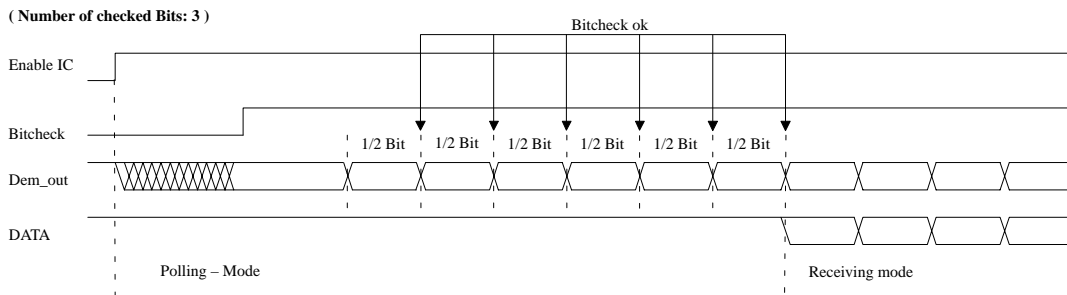


Figure 11. Timing diagram for complete successful bitcheck

## Bitcheck Mode

In bitcheck mode the incoming data stream is examined to distinguish between a valid signal from a corresponding transmitter and signals due to noise. This is done by subsequent time frame checks where the distances between 2 signal edges are continuously compared to a programmable time window. The maximum count of this edge-to-edge tests before the receiver switches to receiving mode is also programmable.

## Configuring the bitcheck

Assuming a modulation scheme that contains 2 edges per bit, two time frame checks are verifying one bit. This is valid for Manchester, Bi-phase and most other modulation schemes. The maximum count of bits to be checked can be set to 0, 3, 6 or 9 bits via the variable  $N_{\text{Bitcheck}}$  in the OPMODE register. This implies 0, 6, 12 and 18 edge to edge checks respectively. If  $N_{\text{Bitcheck}}$  is set to a higher value, the receiver is less likely to switch to receiving mode due to noise. In the presence of a valid transmitter signal, the bitcheck takes less time if  $N_{\text{Bitcheck}}$  is set to a lower value. In polling mode, the bitcheck time is not dependent on  $N_{\text{Bitcheck}}$ . Figure 11 shows an example where 3 bits are tested successfully and the data signal is transferred to Pin DATA.

According to figure 12, the time window for the bitcheck is defined by two separate time limits. If the edge-to-edge time  $t_{ee}$  is in between the lower bitcheck limit  $T_{\text{Lim\_min}}$  and the upper bitcheck limit  $T_{\text{Lim\_max}}$ , the check will be continued. If  $t_{ee}$  is smaller than  $T_{\text{Lim\_min}}$  or  $t_{ee}$  exceeds  $T_{\text{Lim\_max}}$ , the bitcheck will be terminated and the receiver switches to sleep mode.

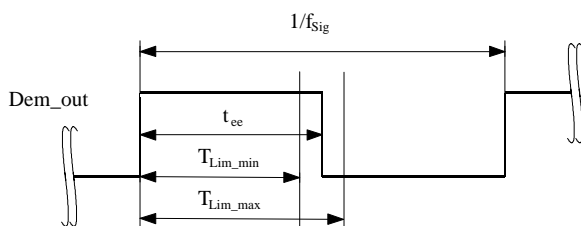


Figure 12. Valid time window for bitcheck

For best noise immunity it is recommended to use a low span between  $T_{\text{Lim\_min}}$  and  $T_{\text{Lim\_max}}$ . This is achieved using a fixed frequency at a 50% duty cycle for the transmitter preburst. A ‘1111...’ or a ‘10101...’ sequence in Manchester or Bi-phase is a good choice concerning that advice. A good compromise between receiver sensitivity and susceptibility to noise is a time window of  $\pm 25\%$  regarding the expected edge-to-edge time  $t_{ee}$ . Using pre-burst patterns that contain various edge-to-edge time periods, the bitcheck limits must be programmed according to the required span.

The bitcheck limits are determined by means of the formula below.

$$T_{\text{Lim\_min}} = \text{Lim\_min} \times T_{\text{XClk}}$$

$$T_{\text{Lim\_max}} = (\text{Lim\_max} - 1) \times T_{\text{XClk}}$$

$\text{Lim\_min}$  and  $\text{Lim\_max}$  are defined by a 5-bit word each within the LIMIT register.

Using above formulas  $\text{Lim\_min}$  and  $\text{Lim\_max}$  can be determined according to the required  $T_{\text{Lim\_min}}$ ,  $T_{\text{Lim\_max}}$  and  $T_{\text{XClk}}$ . The time resolution in defining  $T_{\text{Lim\_min}}$  and  $T_{\text{Lim\_max}}$  is  $T_{\text{XClk}}$ . The minimum edge-to-edge time  $t_{ee}$  ( $t_{\text{DATA\_L\_min}}$ ,  $t_{\text{DATA\_H\_min}}$ ) is defined according to the chapter ‘Receiving Mode’. Due to this, the lower limit should be set to  $\text{Lim\_min} \geq 10$ . The maximum value of the upper limit is  $\text{Lim\_max} = 63$ .

Figures 13, 14 and 15 are illustrating the bitcheck for the default bitcheck limits  $\text{Lim\_min} = 14$  and  $\text{Lim\_max} = 24$ . When the IC is enabled, the signal processing circuits are enabled during  $T_{\text{Startup}}$ . The output of the ASK/ FSK demodulator (Dem\_out) is undefined during that period. When the bitcheck becomes active, the bitcheck counter is clocked with the cycle  $T_{\text{XClk}}$ .

Figure 13 shows how the bitcheck proceeds if the bitcheck counter value  $\text{CV\_Lim}$  is within the limits defined by  $\text{Lim\_min}$  and  $\text{Lim\_max}$  at the occurrence of a signal edge. In figure 14 the bitcheck fails as the value  $\text{CV\_lim}$  is lower than the limit  $\text{Lim\_min}$ . The bitcheck also fails if  $\text{CV\_Lim}$  reaches  $\text{Lim\_max}$ . This is illustrated in figure 15.

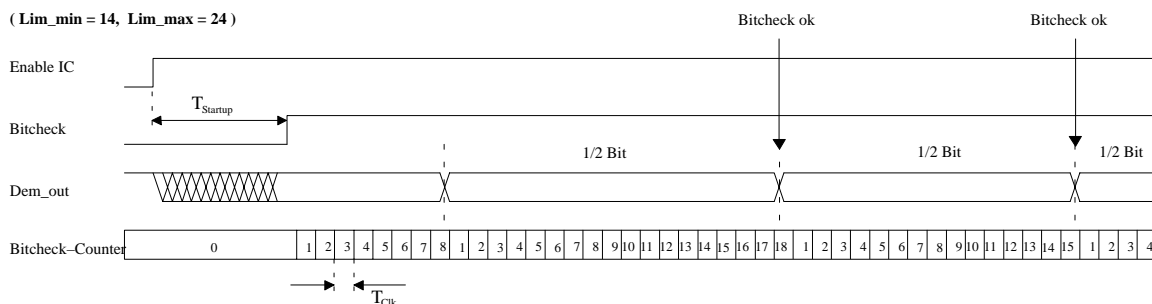


Figure 13. Timing diagram during bitcheck

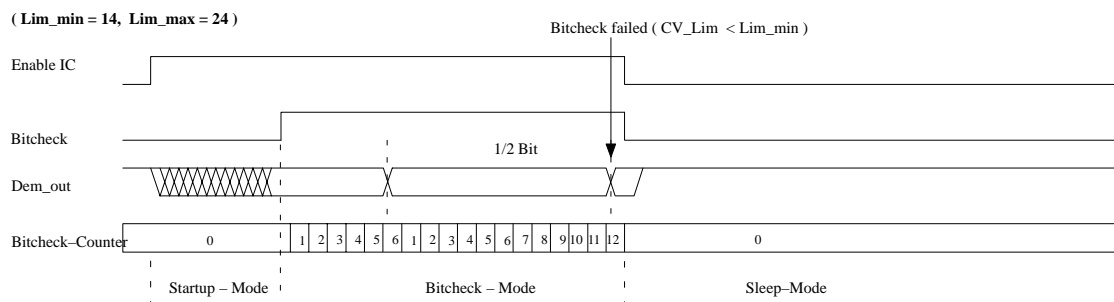


Figure 14. Timing diagram for failed bitcheck (condition: CV\_Lim < Lim\_min)

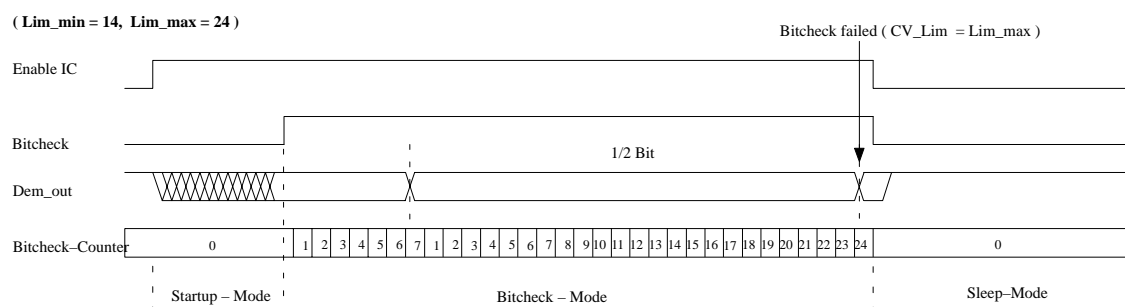


Figure 15. Timing diagram for failed bitcheck (condition: CV\_Lim < Lim\_max)

### Duration of the Bitcheck

If no transmitter signal is present during the bitcheck, the output of the ASK/FSK demodulator delivers random signals. The bitcheck is a statistical process and  $T_{\text{Bitcheck}}$  varies for each check. Therefore, an average value for  $T_{\text{Bitcheck}}$  is given in the electrical characteristics.  $T_{\text{Bitcheck}}$  depends on the selected baudrate range and on  $T_{\text{Clk}}$ . A higher baudrate range causes a lower value for  $T_{\text{Bitcheck}}$  resulting in a lower current consumption for polling mode.

In the presence of a valid transmitter signal,  $T_{\text{Bitcheck}}$  is dependant on the frequency of that signal,  $f_{\text{Sig}}$  and the count of the checked bits,  $N_{\text{Bitcheck}}$ . A higher value for  $N_{\text{Bitcheck}}$  thereby results in a longer period for  $T_{\text{Bitcheck}}$  requiring a higher value for the transmitter pre-burst  $T_{\text{Preburst}}$ .

### Receiving Mode

If the bitcheck is successful for all bits specified by  $N_{\text{Bitcheck}}$ , the receiver switches to receiving mode. According to figure 11, the internal data signal is switched to Pin DATA in that case. A connected  $\mu\text{C}$  can be woken up by the negative edge at Pin DATA. The receiver stays in that condition until it is switched back to polling mode explicitly.

### Digital Signal Processing

The data from the ASK/FSK demodulator (Dem\_out) is digitally processed in different ways and as a result converted into the output signal data. This processing depends on the selected baudrate range (BR\_Range). Figure 16 illustrates how Dem\_out is synchronized by the extended clock cycle  $T_{\text{XClk}}$ . This clock is also used for the Bitcheck counter. Data can change its state only after  $T_{\text{XClk}}$  elapsed. The edge-to-edge time period  $t_{\text{ee}}$  of the Data signal as a result is always an integral multiple of  $T_{\text{XClk}}$ .

The minimum time period between two edges of the data signal is limited to  $t_{\text{ee}} \geq T_{\text{DATA\_min}}$ . This implies an efficient suppression of spikes at the DATA output. At the same time it limits the maximum frequency of edges at DATA. This eases the interrupt handling of a connected  $\mu\text{C}$ .  $T_{\text{DATA\_min}}$  is to some extent affected by the preceding edge-to-edge time interval  $t_{\text{ee}}$  as illustrated in figure 17. If  $t_{\text{ee}}$  is in between the specified bitcheck limits, the following level is frozen for the time period  $T_{\text{DATA\_min}} = t_{\text{min1}}$ , in case of  $t_{\text{ee}}$  being outside that bitcheck limits  $T_{\text{DATA\_min}} = t_{\text{min2}}$  is the relevant stable time period.

The maximum time period for DATA to be Low is limited to  $T_{\text{DATA\_L\_max}}$ . This function is employed to ensure a finite response time in programming or switching off the receiver via Pin DATA.  $T_{\text{DATA\_L\_max}}$  is thereby longer than the maximum time period indicated by the transmitter data stream. Figure 18 gives an example where Dem\_out remains Low after the receiver is in receiving mode.

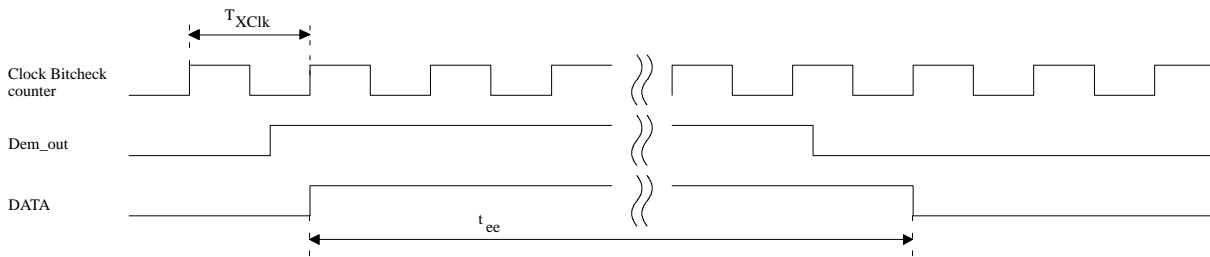


Figure 16. Synchronization of the demodulator output

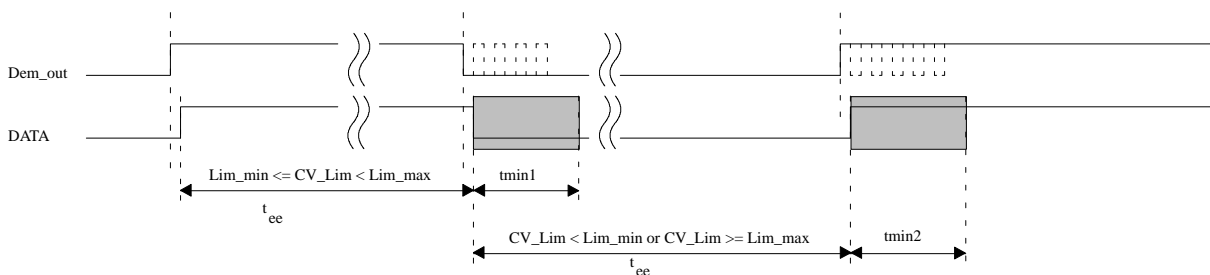


Figure 17. Debouncing of the demodulator output

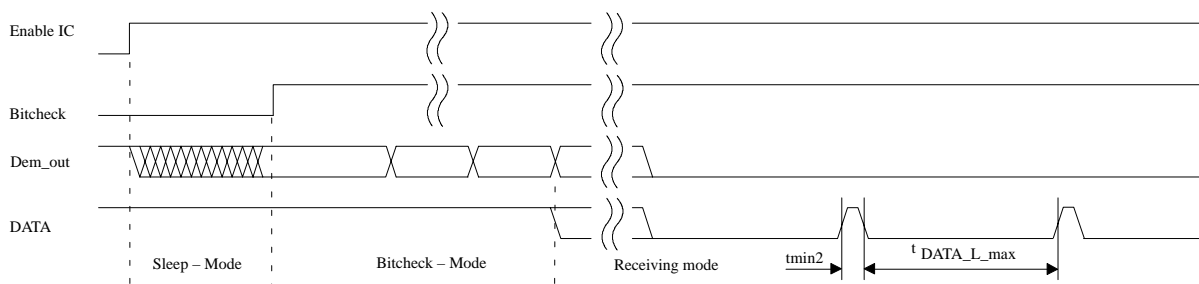


Figure 18. Steady L state limited DATA output pattern after transmission

After the end of a data transmission the receiver remains active and random noise pulses appear at Pin DATA. The edge-to-edge time period  $t_{ee}$  of the majority of these noise pulses is equal or slightly higher than  $T_{DATA\_min}$ .

### Switching the Receiver Back to Sleep Mode

The receiver can be set back to polling mode via Pin DATA or via Pin ENABLE.

When using Pin DATA, this pin must be pulled to Low for the period  $t_1$  by the connected  $\mu C$ . Figure 19 illustrates the timing of the OFF command (see also figure 23). The minimum value of  $t_1$  depends on  $BR\_Range$ . The maximum value for  $t_1$  is not limited but it is recommended not to exceed the specified value to prevent erasing the reset marker. This item is explained in more detail in the chapter 'Configuration of the Receiver'. Setting the receiver to sleep mode via DATA

is achieved by programming bit 1 of the OPMODE register to be '1'. Only one sync pulse ( $t_3$ ) is issued.

The duration of the OFF command is determined by the sum of  $t_1$ ,  $t_2$  and  $t_{10}$ . After the OFF command initially the sleep time  $T_{Sleep}$  elapses. Note that the capacitive load at Pin DATA is limited. The resulting time constant  $\tau$  together with an optional external pull-up resistor may not be exceeded to ensure proper operation.

If the receiver is set to polling mode via Pin ENABLE, a 'L' pulse ( $T_{Doze}$ ) must be issued at that pin. Figure 20 illustrates the timing of that command. After the positive edge of this pulse the sleep time  $T_{Sleep}$  elapses. The receiver remains in sleep mode as long as ENABLE is held to 'L'. If the receiver is polled exclusively by a  $\mu C$ ,  $T_{Sleep}$  can be programmed to 0 to enable an instantaneous response time. This command is the faster option than via Pin DATA at the cost of an additional connection to the  $\mu C$ .

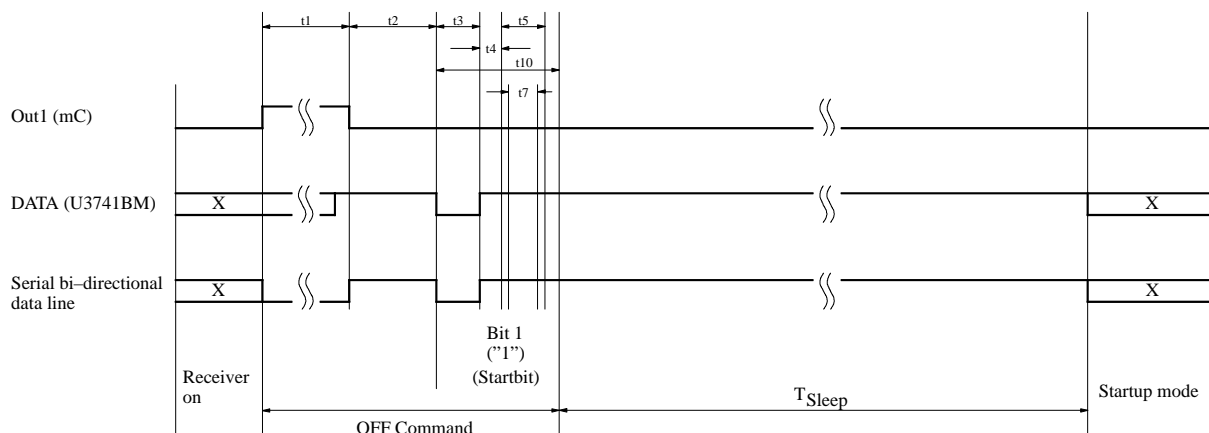


Figure 19. Timing diagram of the OFF-command via Pin DATA

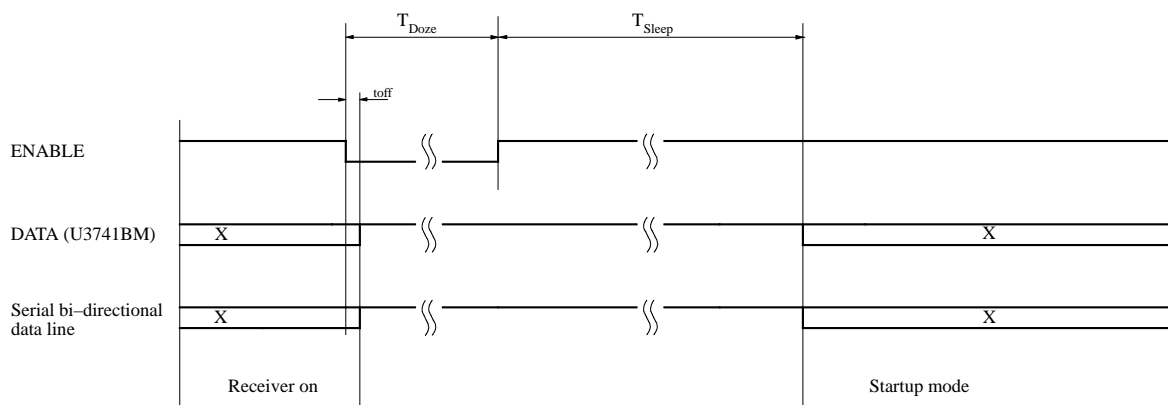


Figure 20. Timing diagram of the OFF-command via Pin ENABLE

### Configuration of the Receiver

The U3741BM receiver is configured via two 12-bit RAM registers called OPMODE and LIMIT. The registers can be programmed by means of the bi-directional DATA port. If the register contents have changed due to a voltage drop, this condition is indicated by a certain output pattern called reset marker (RM). The receiver must be reprogrammed in that case. After a power-on reset (POR), the registers are set to default mode. If the receiver is operated in default mode, there is no need to program the registers.

Table 3 shows the structure of the registers. According to table 2, bit 1 defines if the receiver is set back to polling mode via the OFF command, (see chapter 'Receiving Mode') or if it is programmed. Bit 2 represents the register address. It selects the appropriate register to be programmed.

Table 2. Effect of Bit 1 and Bit 2 in programming the registers

| Bit 1 | Bit 2 | Action   |
|-------|-------|--|
| 1     | x     | The receiver is set back to polling mode (OFF command) |
| 0     | 1     | The OPMODE register is programmed                      |
| 0     | 0     | The LIMIT register is programmed                       |

Table 4 and the following illustrate the effect of the individual configuration words. The default configuration is highlighted for each word.

BR\_Range sets the appropriate baud rate range. At the same time it defines XLim. XLim is used to define the bitcheck limits  $T_{Lim\_min}$  and  $T_{Lim\_max}$  as shown in table 4.

POUT can be used to control the sensitivity of the receiver. In that application, POUT is set to 1 to reduce the sensitivity. This implies that the receiver operates with full sensitivity after a POR.

Table 3. Effect of the configuration words within the registers

| Bit1                   | Bit2 | Bit3     | Bit4     | Bit5                  | Bit6     | Bit7              | Bit8     | Bit9     | Bit10    | Bit11    | Bit12    | Bit13                  | Bit14                   |
|------------------------|------|----------|----------|-----------------------|----------|-------------------|----------|----------|----------|----------|----------|------------------------|-------------------------|
| <b>OFF command</b>     |      |          |          |                       |          |                   |          |          |          |          |          |                        |                         |
| 1                      |      |          |          |                       |          |                   |          |          |          |          |          |                        |                         |
| <b>OPMODE register</b> |      |          |          |                       |          |                   |          |          |          |          |          |                        |                         |
| 0                      | 1    | BR_Range |          | N <sub>Bitcheck</sub> |          | V <sub>POUT</sub> | Sleep    |          |          |          | XSleep   |                        |                         |
| 0                      | 1    | Baud1    | Baud0    | BitChk1               | BitChk0  | POUT              | Sleep4   | Sleep3   | Sleep2   | Sleep1   | Sleep0   | X <sub>Sleep</sub> Std | X <sub>Sleep</sub> Temp |
| (Default)              |      | 0        | 0        | 1                     | 0        | 0                 | 0        | 1        | 0        | 1        | 1        | 0                      | 0                       |
| <b>LIMIT register</b>  |      |          |          |                       |          |                   |          |          |          |          |          |                        |                         |
| 0                      | 0    | Lim_min  |          |                       |          |                   |          | Lim_max  |          |          |          |                        |                         |
| 0                      | 0    | Lim_min5 | Lim_min4 | Lim_min3              | Lim_min2 | Lim_min1          | Lim_min0 | Lim_max5 | Lim_max4 | Lim_max3 | Lim_max2 | Lim_max1               | Lim_max0                |
| (Default)              |      | 0        | 0        | 1                     | 1        | 1                 | 0        | 0        | 1        | 1        | 0        | 0                      | 0                       |

Table 4. Effect of the configuration word BR\_Range

| BR_Range |       | Baudrate Range / Extension Factor for Bitcheck Limits (XLim)   |
|----------|-------|--|
| Baud1    | Baud0 |  |
| 0        | 0     | BR_Range0 (application USA / Europe: BR_Range0 = 1.0 kBaud to 1.8 kBaud) (Default)<br>XLim = 8 (Default) |
| 0        | 1     | BR_Range1 (application USA / Europe: BR_Range1 = 1.8 kBaud to 3.2 kBaud)<br>XLim = 4                     |
| 1        | 0     | BR_Range2 (application USA / Europe: BR_Range2 = 3.2 kBaud to 5.6 kBaud)<br>XLim = 2                     |
| 1        | 1     | BR_Range3 (Application USA / Europe: BR_Range3 = 5.6 kBaud to 10 kBaud)<br>XLim = 1                      |

Table 5. Effect of the configuration word N<sub>Bitcheck</sub>

| N <sub>Bitcheck</sub> |         | Number of Bits to be Checked |
|-----------------------|---------|------------------------------|
| BitChk1               | BitChk0 |                              |
| 0                     | 0       | 0                            |
| 0                     | 1       | 3                            |
| 1                     | 0       | 6 (Default)                  |
| 1                     | 1       | 9                            |

Table 6. Effect of the configuration Bit V<sub>POUT</sub>

| V <sub>POUT</sub> | Level of the Multi-Purpose Output Port POUT |
|-------------------|---|
| POUT              |   |
| 0                 | 0 (Default)                                 |
| 1                 | 1   |

Table 7. Effect of the configuration word Sleep

| Sleep  |        |        |        |        | Start Value for Sleep Counter ( $T_{Sleep} = Sleep \times X_{sleep} \times 1024 \times T_{Clk}$ ) |
|--------|--------|--------|--------|--------|---|
| Sleep4 | Sleep3 | Sleep2 | Sleep1 | Sleep0 |   |
| 0      | 0      | 0      | 0      | 0      | 0 (Receiver is continuously polling until a valid signal occurs)                                  |
| 0      | 0      | 0      | 0      | 1      | 1 ( $T_{Sleep} \approx 2ms$ for $X_{Sleep} = 1$ in US- / European applications)                   |
| 0      | 0      | 0      | 1      | 0      | 2   |
| 0      | 0      | 0      | 1      | 1      | 3   |
| .      | .      | .      | .      | .      | .   |
| .      | .      | .      | .      | .      | .   |
| .      | .      | .      | .      | .      | .   |
| 0      | 1      | 0      | 1      | 1      | 11 (USA: $T_{Sleep} = 22.96 ms$ , Europe: $T_{Sleep} = 23.31 ms$ ) (Default)                      |
| .      | .      | .      | .      | .      | .   |
| .      | .      | .      | .      | .      | .   |
| .      | .      | .      | .      | .      | .   |
| 1      | 1      | 1      | 0      | 1      | 29  |
| 1      | 1      | 1      | 1      | 0      | 30  |
| 1      | 1      | 1      | 1      | 1      | 31 (Permanent sleep mode)   |

Table 8. Effect of the configuration word XSleep

| XSleep         |                 | Extension Factor for Sleep Time ( $T_{Sleep} = Sleep \times X_{sleep} \times 1024 \times T_{Clk}$ ) |
|----------------|-----------------|---|
| $X_{SleepStd}$ | $X_{SleepTemp}$ |   |
| 0              | 0               | 1 (Default)   |
| 0              | 1               | 8 ( $X_{Sleep}$ is reset to 1 if bitcheck fails once)   |
| 1              | 0               | 8 ( $X_{Sleep}$ is set permanently)   |
| 1              | 1               | 8 ( $X_{Sleep}$ is set permanently)   |

Table 9. Effect of the configuration word Lim\_min

| Lim_min                        |   |   |   |   |   | Lower Limit Value for Bitcheck  |
|--------------------------------|---|---|---|---|---|---|
| Lim_min < 10 is not applicable |   |   |   |   |   | ( $T_{Lim\_min} = Lim\_min \times X_{Lim} \times T_{Clk}$ )                             |
| 0                              | 0 | 1 | 0 | 1 | 0 | 10  |
| 0                              | 0 | 1 | 0 | 1 | 1 | 11  |
| 0                              | 0 | 1 | 1 | 0 | 0 | 12  |
| 0                              | 0 | 1 | 1 | 0 | 1 | 13  |
| 0                              | 0 | 1 | 1 | 1 | 0 | 14 (Default)<br>(USA: $T_{Lim\_min} = 228 \mu s$ , Europe: $T_{Lim\_min} = 232 \mu s$ ) |
| .                              | . | . | . | . | . |   |
| .                              | . | . | . | . | . |   |
| .                              | . | . | . | . | . |   |
| 1                              | 1 | 1 | 1 | 0 | 1 | 61  |
| 1                              | 1 | 1 | 1 | 1 | 0 | 62  |
| 1                              | 1 | 1 | 1 | 1 | 1 | 63  |

Table 10. Effect of the configuration word Lim\_max

| Lim_max                        |   |   |   |   |   | Upper Limit Value for Bitcheck  |
|--------------------------------|---|---|---|---|---|---|
| Lim_max < 12 is not applicable |   |   |   |   |   | ( $T_{Lim\_max} = (Lim\_max - 1) \times XLim \times T_{Clk}$ )                          |
| 0                              | 0 | 1 | 1 | 0 | 0 | 12  |
| 0                              | 0 | 1 | 1 | 0 | 1 | 13  |
| 0                              | 0 | 1 | 1 | 1 | 0 | 14  |
| .                              | . | . | . | . | . | 24 (Default)<br>(USA: $T_{Lim\_max} = 375 \mu s$ , Europe: $T_{Lim\_max} = 381 \mu s$ ) |
| .                              | . | . | . | . | . |   |
| .                              | . | . | . | . | . |   |
| 0                              | 1 | 1 | 0 | 0 | 0 |   |
| .                              | . | . | . | . | . |   |
| .                              | . | . | . | . | . |   |
| .                              | . | . | . | . | . |   |
| 1                              | 1 | 1 | 1 | 0 | 1 | 61  |
| 1                              | 1 | 1 | 1 | 1 | 0 | 62  |
| 1                              | 1 | 1 | 1 | 1 | 1 | 63  |

### Conservation of the Register Information

The U3741BM implies an integrated power-on reset and brown-out detection circuitry to provide a mechanism to preserve the RAM register information.

According to figure 21, a power-on reset (POR) is generated if the supply voltage  $V_S$  drops below the threshold voltage  $V_{ThReset}$ . The default parameters are programmed into the configuration registers in that condition. Once  $V_S$  exceeds  $V_{ThReset}$  the POR is canceled after the minimum reset period  $t_{Rst}$ . A POR is also generated when the supply voltage of the receiver is turned on.

To indicate that condition, the receiver displays a reset marker (RM) at Pin DATA after a reset. The RM is

represented by the fixed frequency  $f_{RM}$  at a 50% duty cycle. RM can be canceled via an 'L' pulse  $t_1$  at Pin DATA. The RM implies the following characteristics:

- $f_{RM}$  is lower than the lowest feasible frequency of a data signal. By this means, RM cannot be misinterpreted by the connected  $\mu C$ .
- If the receiver is set back to polling mode via pin DATA, RM cannot be canceled by accident if  $t_1$  is applied according to the proposal in the section 'Programming the configuration registers'.

By means of that mechanism the receiver cannot lose its register information without communicating that condition via the reset marker RM.

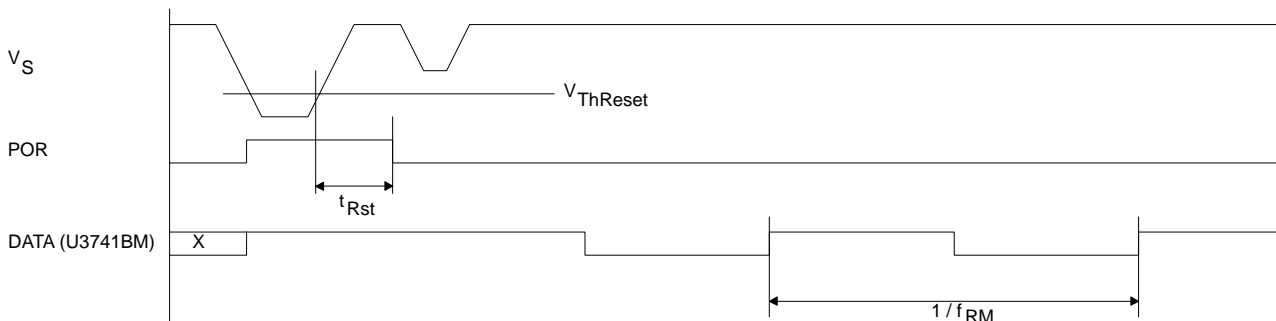


Figure 21. Generation of the power on reset



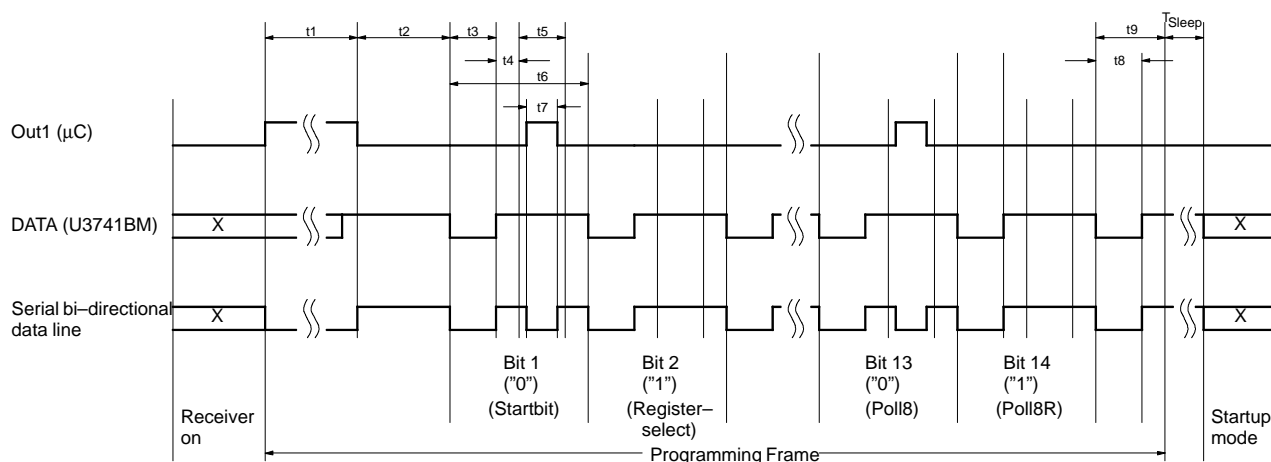


Figure 22. Timing of the register programming

### Programming the Configuration Register

The configuration registers are programmed serially via the bi-directional data line according to figure 22 and figure 23.

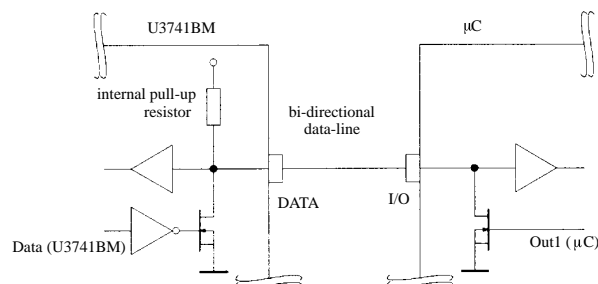


Figure 23. One wire connection to a µC

To start programming, the serial data line DATA is pulled to 'L' for the time period  $t_1$  by the µC. When DATA has been released, the receiver becomes the master device. When the programming delay period  $t_2$  has elapsed it emits 14 subsequent synchronization pulses with the pulse length  $t_3$ . After each of these pulses a programming window occurs. The delay until the program window starts is determined by  $t_4$ , the duration is defined by  $t_5$ . Within the programming window, the individual bits are set. If the µC pulls down Pin DATA for the time period  $t_7$  during  $t_5$ , the according bit is set to '0'. If no programming pulse  $t_7$  is issued, this bit is set to '1'. All 14 bits are subsequently programmed in this way. The time frame to program a bit is defined by  $t_6$ .

Bit 14 is followed by the equivalent time window  $t_9$ . During this window the equivalent acknowledge pulse  $t_8$  (E\_Ack) occurs if the just programmed modeword is equivalent to the modeword that was already stored in that register. E\_Ack should be used to verify that the modeword was correctly transferred to the register. The register must be programmed twice in that case.

Programming of a register is possible both in the sleep- and in active-mode of the receiver.

During programming, the LNA, LO, lowpass filter IF-amplifier and the FSK/ASK Manchester demodulator are disabled.

The programming start pulse  $t_1$  initiates the programming of the configuration registers. If bit 1 is set to '1', it represents the OFF-command to set the receiver back to polling mode at the same time. For the length of the programming start pulse  $t_1$ , the following convention should be considered:

- $t_1(\text{min}) < t_1 < 1535 \times T_{\text{CLK}}$ : [ $t_1(\text{min})$ ] is the minimum specified value for the relevant BR\_Range]

Programming respectively OFF-command is initiated if the receiver is not in reset mode. If the receiver is in reset mode programming respectively Off-command is not initiated and the reset marker RM is still present at Pin DATA.

This period is generally used to switch the receiver to polling mode. In a reset condition, RM is not canceled by accident.

- $t_1 > 5632 \times T_{\text{CLK}}$

Programming respectively OFF-command is initiated in any case. RM is canceled if present.

This period is used if the connected µC detected RM. If a configuration register is programmed this time period for  $t_1$  can generally be used.

Note that the capacitive load at Pin DATA is limited. The resulting time constant  $t$  together with an optional external pull-up resistor may not be exceeded to ensure proper operation.

## Absolute Maximum Ratings

| Parameters  | Symbol        | Min. | Typ. | Max. | Unit |
|---|---------------|------|------|------|------|
| Power dissipation                                 | $P_{tot}$     |      |      | 450  | mW   |
| Junction temperature                              | $T_j$         |      |      | 150  | °C   |
| Storage temperature                               | $T_{stg}$     | -55  |      | +125 | °C   |
| Ambient temperature                               | $T_{amb}$     | -40  |      | +105 | °C   |
| Maximum input level, input matched to 50 $\Omega$ | $P_{in\_max}$ |      |      | 10   | dBm  |

## Thermal Resistance

| Parameters       | Symbol     | Value | Unit |
|------------------|------------|-------|------|
| Junction ambient | $R_{thJA}$ | 100   | K/W  |

## Electrical Characteristics

All parameters refer to GND,  $T_{amb} = -40^{\circ}\text{C}$  to  $+105^{\circ}\text{C}$ ,  $V_S = 4.5\text{ V}$  to  $5.5\text{ V}$ ,  $f_0 = 433.92\text{ MHz}$  and  $f_0 = 315\text{ MHz}$ , unless otherwise specified. ( $V_S = 5\text{ V}$ ,  $T_{amb} = 25^{\circ}\text{C}$ )

| Parameter   | Test Condition  | Symbol         | 6.76438 MHz Osc. (MODE: 1) |   |      | 4.90625 MHz Osc. (MODE: 0)                     |  |  | Variable Oscillator |   |      | Unit   |
|---|---|----------------|----------------------------|---|------|--|--|--|---------------------|---|------|--|
|   |   |                | Min.                       | Typ.  | Max. | Min.   | Typ.   | Max.   | Min.                | Typ.  | Max. |  |
| <b>Basic clock cycle of the digital circuitry</b> |   |                |                            |   |      |  |  |  |                     |   |      |  |
| Basic clock cycle                                 | MODE = 0 (USA)<br>MODE = 1 (Europe)   | $T_{Clk}$      |                            | 2.0697  |      |  | 2.0383   |  |                     | $1/f_{XTO}/10$<br>$1/f_{XTO}/14$                                |      | $\mu\text{s}$<br>$\mu\text{s}$                           |
| Extended basic clock cycle                        | BR_Range0   | $T_{XClk}$     |                            | 16.6  |      |  | 16.3   |  |                     | $8 \times T_{Clk}$  |      | $\mu\text{s}$  |
|   | BR_Range1   |                |                            | 8.3   |      |  | 8.2  |  |                     | $4 \times T_{Clk}$  |      | $\mu\text{s}$  |
|   | BR_Range2   |                |                            | 4.1   |      |  | 4.1  |  |                     | $2 \times T_{Clk}$  |      | $\mu\text{s}$  |
|   | BR_Range3   |                |                            | 2.1   |      |  | 2.0  |  |                     | $1 \times T_{Clk}$  |      | $\mu\text{s}$  |
| <b>Polling mode</b>                               |   |                |                            |   |      |  |  |  |                     |   |      |  |
| Sleep time  | Sleep and XSleep are defined in the OPMODE register                                     | $T_{Sleep}$    |                            | Sleep $\times$<br>XSleep $\times$<br>$1024 \times$<br>2.0697  |      |  | Sleep $\times$<br>XSleep $\times$<br>$1024 \times$<br>2.0383 |  |                     | Sleep $\times$<br>XSleep $\times$<br>$1024 \times$<br>$T_{Clk}$ |      | ms   |
| Startup time                                      | BR_Range0   | $T_{Startup}$  |                            | 1855  |      |  | 1827   |  |                     | 896.5   |      | $\mu\text{s}$  |
|   | BR_Range1   |                |                            | 1061  |      |  | 1045   |  |                     | 512.5   |      | $\mu\text{s}$  |
|   | BR_Range2   |                |                            | 1061  |      |  | 1045   |  |                     | 512.5   |      | $\mu\text{s}$  |
|   | BR_Range3   |                |                            | 663   |      |  | 653  |  |                     | 320.5<br>$\times T_{Clk}$                                       |      | $\mu\text{s}$<br>$\mu\text{s}$                           |
| Time for Bitcheck                                 | Average bitcheck time while polling<br>BR_Range0<br>BR_Range1<br>BR_Range2<br>BR_Range3 | $T_{Bitcheck}$ |                            | 0.45  |      |  | 0.47   |  |                     |   |      | ms   |
|   |   |                |                            | 0.24  |      |  | 0.26   |  |                     |   |      | ms   |
|   |   |                |                            | 0.14  |      |  | 0.16   |  |                     |   |      | ms   |
|   |   |                |                            | 0.14  |      |  | 0.15   |  |                     |   |      | ms   |
|   |   |                |                            | Bitcheck time for a valid input signal<br>$f_{Sig}$<br>$N_{Bitcheck} = 0$<br>$N_{Bitcheck} = 3$<br>$N_{Bitcheck} = 6$<br>$N_{Bitcheck} = 9$ |      | 0<br>$3/f_{Sig}$<br>$6/f_{Sig}$<br>$9/f_{Sig}$ |  | 0.166<br>$3.5/f_{Sig}$<br>$6.5/f_{Sig}$<br>$9.5/f_{Sig}$ |                     | 0<br>$3/f_{Sig}$<br>$6/f_{Sig}$<br>$9/f_{Sig}$                  |      | 0.164<br>$3.5/f_{Sig}$<br>$6.5/f_{Sig}$<br>$9.5/f_{Sig}$ |
| <b>Receiving mode</b>                             |   |                |                            |   |      |  |  |  |                     |   |      |  |
| Intermediate frequency                            | MODE=0 (USA)<br>MODE=1 (Europe)   | $f_{IF}$       |                            | 1.0   |      |  | 1.0  |  |                     | $f_{XTO} \times 64 / 314$<br>$f_{XTO} \times 64 / 432.92$       |      | MHz<br>MHz   |
| Baud rate range                                   | BR_Range0   | BR_Range       | 1.0                        |   | 1.8  | 1.0  | 1.8  | 1.8  |                     | $BR\_Range0 \times 2 \mu\text{s} / T_{Clk}$                     |      | kBaud  |
|   | BR_Range1   |                | 1.8                        |   | 3.2  | 1.8  | 3.2  | 3.2  |                     | $BR\_Range1 \times 2 \mu\text{s} / T_{Clk}$                     |      | kBaud  |
|   | BR_Range2   |                | 3.2                        |   | 5.6  | 3.2  | 5.6  | 5.6  |                     | $BR\_Range2 \times 2 \mu\text{s} / T_{Clk}$                     |      | kBaud  |
|   | BR_Range3   |                | 5.6                        |   | 10.0 | 5.6  | 10.0   | 10.0   |                     | $BR\_Range3 \times 2 \mu\text{s} / T_{Clk}$                     |      | kBaud  |

## Electrical Characteristics (continued)

All parameters refer to GND,  $T_{amb} = -40^{\circ}\text{C}$  to  $+105^{\circ}\text{C}$ ,  $V_S = 4.5\text{ V}$  to  $5.5\text{ V}$ ,  $f_0 = 433.92\text{ MHz}$  and  $f_0 = 315\text{ MHz}$ , unless otherwise specified. ( $V_S = 5\text{ V}$ ,  $T_{amb} = 25^{\circ}\text{C}$ )

| Parameter   | Test Condition      | Symbol                   | 6.76438 MHz Osc.<br>(MODE: 1) |       |      | 4.90625 MHz Osc.<br>(MODE: 0) |       |      | Variable Oscillator    |                                 |                        | Unit          |
|---|---------------------|--------------------------|-------------------------------|-------|------|-------------------------------|-------|------|------------------------|---------------------------------|------------------------|---------------|
|   |                     |                          | Min.                          | Typ.  | Max. | Min.                          | Typ.  | Max. | Min.                   | Typ.                            | Max.                   |               |
| <b>Receiving mode (continued)</b>                               |                     |                          |                               |       |      |                               |       |      |                        |                                 |                        |               |
| Minimum time period between edges at Pin DATA (figure 17)       | BR_Range0           | $T_{DATA\_min}$<br>tmin1 |                               | 149   |      |                               | 147   |      |                        | $9 \times T_{XClk}$             |                        | $\mu\text{s}$ |
|   |                     | tmin2                    |                               | 182   |      |                               | 179   |      |                        | $11 \times T_{XClk}$            |                        | $\mu\text{s}$ |
|   | BR_Range1           | tmin1                    |                               | 75    |      |                               | 73    |      |                        | $9 \times T_{XClk}$             |                        | $\mu\text{s}$ |
|   |                     | tmin2                    |                               | 91    |      |                               | 90    |      |                        | $11 \times T_{XClk}$            |                        | $\mu\text{s}$ |
|   | BR_Range2           | tmin1                    |                               | 37.3  |      |                               | 36.7  |      |                        | $9 \times T_{XClk}$             |                        | $\mu\text{s}$ |
|   | tmin2               |                          | 45.5                          |       |      | 44.8                          |       |      | $11 \times T_{XClk}$   |                                 | $\mu\text{s}$          |               |
|   | BR_Range3           | tmin1                    |                               | 18.6  |      |                               | 18.3  |      |                        | $9 \times T_{XClk}$             |                        | $\mu\text{s}$ |
|   |                     | tmin2                    |                               | 22.8  |      |                               | 22.4  |      |                        | $11 \times T_{XClk}$            |                        | $\mu\text{s}$ |
| Maximum low period at DATA (figure 18)                          | BR_Range0           | $T_{DATA\_L\_max}$       |                               | 2169  |      |                               | 2136  |      |                        | $131 \times T_{XClk}$           |                        | $\mu\text{s}$ |
|   | BR_Range1           |                          |                               | 1085  |      |                               | 1068  |      |                        | $131 \times T_{XClk}$           |                        | $\mu\text{s}$ |
|   | BR_Range2           |                          |                               | 542   |      |                               | 534   |      |                        | $131 \times T_{XClk}$           |                        | $\mu\text{s}$ |
|   | BR_Range3           |                          |                               | 271   |      |                               | 267   |      |                        | $131 \times T_{XClk}$           |                        | $\mu\text{s}$ |
| OFF command at Pin ENABLE (figure 20)                           |                     | $t_{Doze}$               | 3.1                           |       |      | 3.05                          |       |      | $1.5 \times T_{Clk}$   |                                 | $\mu\text{s}$          |               |
| <b>Configuration of the receiver</b>                            |                     |                          |                               |       |      |                               |       |      |                        |                                 |                        |               |
| Frequency of the reset marker (figure 21)                       |                     | $f_{RM}$                 |                               | 117.9 |      |                               | 119.8 |      |                        | $\frac{1}{4096 \times T_{Clk}}$ |                        | Hz            |
| Programming start pulse (figure 19, figure 22)                  | BR_Range0           | t1                       | 2188                          |       | 3176 | 2155                          |       | 3128 | $1057 \times T_{Clk}$  |                                 | $1535 \times T_{Clk}$  | $\mu\text{s}$ |
|   | BR_Range1           |                          | 1104                          |       | 3176 | 1087                          |       | 3128 | $533 \times T_{Clk}$   |                                 | $1535 \times T_{Clk}$  | $\mu\text{s}$ |
|   | BR_Range2           |                          | 561                           |       | 3176 | 553                           |       | 3128 | $271 \times T_{Clk}$   |                                 | $1535 \times T_{Clk}$  | $\mu\text{s}$ |
|   | BR_Range3 after POR |                          | 290                           |       | 3176 | 286                           |       | 3128 | $140 \times T_{Clk}$   |                                 | $1535 \times T_{Clk}$  | $\mu\text{s}$ |
|   |                     |                          | 11656                         |       |      | 11479                         |       |      | $5632 \times T_{Clk}$  |                                 |                        | $\mu\text{s}$ |
| Programming delay period (figure 19, figure 22)                 |                     | t2                       | 795                           |       | 798  | 783                           |       | 786  | $384.5 \times T_{Clk}$ |                                 | $385.5 \times T_{Clk}$ | $\mu\text{s}$ |
| Synchronization pulse (figure 19, figure 22)                    |                     | t3                       |                               | 265   |      |                               | 261   |      |                        | $128 \times T_{Clk}$            |                        | $\mu\text{s}$ |
| Delay until of the program window starts (figure 19, figure 22) |                     | t4                       |                               | 131   |      |                               | 129   |      |                        | $63.5 \times T_{Clk}$           |                        | $\mu\text{s}$ |
| Programming window (figure 19, figure 22)                       |                     | t5                       |                               | 530   |      |                               | 522   |      |                        | $256 \times T_{Clk}$            |                        | $\mu\text{s}$ |
| Time frame of a bit (figure 22)                                 |                     | t6                       |                               | 1060  |      |                               | 1044  |      |                        | $512 \times T_{Clk}$            |                        | $\mu\text{s}$ |
| Programming pulse (figure 19, figure 22)                        |                     | t7                       | 133                           |       | 529  | 131                           |       | 521  | $64 \times T_{Clk}$    |                                 | $256 \times T_{Clk}$   | $\mu\text{s}$ |
| Equivalent acknowledge pulse: E_Ack (figure 22)                 |                     | t8                       |                               | 265   |      |                               | 261   |      |                        | $128 \times T_{Clk}$            |                        | $\mu\text{s}$ |
| Equivalent time window (figure 22)                              |                     | t9                       |                               | 534   |      |                               | 526   |      |                        | $258 \times T_{Clk}$            |                        | $\mu\text{s}$ |
| OFF-bit programming window (figure 19)                          |                     | t10                      |                               | 930   |      |                               | 916   |      |                        | $449.5 \times T_{Clk}$          |                        | $\mu\text{s}$ |

## Electrical Characteristics (continued)

All parameters refer to GND,  $T_{amb} = -40^{\circ}\text{C}$  to  $+105^{\circ}\text{C}$ ,  $V_S = 4.5\text{ V}$  to  $5.5\text{ V}$ ,  $f_0 = 433.92\text{ MHz}$  and  $f_0 = 315\text{ MHz}$ , unless otherwise specified. ( $V_S = 5\text{ V}$ ,  $T_{amb} = 25^{\circ}\text{C}$ )

| Parameters  | Test Conditions / Pins   | Symbol            | Min.                          | Typ.  | Max.               | Unit   |
|---|--|-------------------|-------------------------------|---|--------------------|--|
| Current consumption                               | Sleep mode<br>(XTO and polling logic active)   | $I_{Soff}$        |                               | 190   | 276                | $\mu\text{A}$  |
|   | IC active<br>(startup-, bitcheck-, receiving mode) Pin DATA = H  | $I_{Son}$         |                               | 7.0   | 8.6                | mA   |
| <b>LNA mixer</b>                                  |  |                   |                               |   |                    |  |
| Third-order intercept point                       | LNA/ mixer/ IF amplifier input matched according to figure 6   | IIP3              |                               | -28   |                    | dBm  |
| LO spurious emission @ $RF_{in}$                  | Input matched according to figure 6, required according to I-ETS 300220  | $I_{S_{LORF}}$    |                               | -73   | -57                | dBm  |
| Noise figure LNA and mixer (DSB)                  | Input matching according to figure 6   | NF                |                               | 7   |                    | dB   |
| LNA_IN input impedance                            | @ 433.92 MHz<br>@ 315 MHz  | $Z_{i_{LNA\_IN}}$ |                               | $1.0 \parallel 1.56$<br>$1.3 \parallel 1.0$ |                    | $\text{k}\Omega \parallel \text{pF}$<br>$\text{k}\Omega \parallel \text{pF}$ |
| 1 dB compression point (LNA, mixer, IF amplifier) | Input matched according to figure 6, referred to $RF_{in}$   | $IP_{1db}$        |                               | -40   |                    | dBm  |
| Maximum input level                               | Input matched according to figure 6, $BER \leq 10^{-3}$ ,<br>FSK mode<br>ASK mode                                    | $P_{in\_max}$     |                               |   | -28                | dBm  |
|   |  |                   |                               |   | -20                | dBm  |
| <b>Local oscillator</b>                           |  |                   |                               |   |                    |  |
| Operating frequency range VCO                     |  | $f_{VCO}$         | 299                           |   | 449                | MHz  |
| Phase noise VCO / LO                              | $f_{osc} = 432.92\text{ MHz}$<br>@ 1 MHz<br>@ 10 MHz   | L (fm)            |                               | -93   | -90                | dBc/Hz   |
|   |  |                   |                               | -113  | -110               | dBc/Hz   |
| Spurious of the VCO                               | @ $\pm f_{XTO}$  |                   |                               | -55   | -47                | dBc  |
| VCO gain  |  | $K_{VCO}$         |                               | 190   |                    | MHz/V  |
| Loop bandwidth of the PLL                         | For best LO noise (design parameter)<br>$R1 = 820\ \Omega$<br>$C9 = 4.7\text{ nF}$<br>$C10 = 1\text{ nF}$            | $B_{Loop}$        |                               | 100   |                    | kHz  |
| Capacitive load at Pin LF                         | The capacitive load at Pin LF is limited if bitcheck is used. The limitation therefore also applies to self polling. | $C_{LF\_tot}$     |                               |   | 10                 | nF   |
| XTO operating frequency                           | XTO crystal frequency, appropriate load capacitance must be connected to XTAL<br>6.764375 MHz<br>4.90625 MHz         | $f_{XTO}$         | 6.764375                      | 6.764375                                    | 6.764375           | MHz  |
|   |  |                   | -30 ppm<br>4.90625<br>-30 ppm | 4.90625                                     | 4.90625<br>+30 ppm | MHz  |
| Series resonance resistor of the crystal          | $f_{XTO} = 6.764\text{ MHz}$<br>4.906 MHz  | $R_S$             |                               |   | 150<br>220         | $\Omega$<br>$\Omega$   |
| Static capacitance of the crystal                 |  | $C_0$             |                               |   | 4                  | pF   |

**Electrical Characteristics (continued)**

All parameters refer to GND,  $T_{amb} = -40^{\circ}\text{C}$  to  $+105^{\circ}\text{C}$ ,  $V_S = 4.5\text{ V}$  to  $5.5\text{ V}$ ,  $f_0 = 433.92\text{ MHz}$  and  $f_0 = 315\text{ MHz}$ , unless otherwise specified. ( $V_S = 5\text{ V}$ ,  $T_{amb} = 25^{\circ}\text{C}$ )

| Parameters   | Test Conditions / Pins  | Symbol   | Min.           | Typ.           | Max.           | Unit       |  |
|--|---|--|----------------|----------------|----------------|------------|--|
| <b>Analog signal processing</b>  |   |  |                |                |                |            |  |
| Input sensitivity ASK<br>300-kHz IF filter   | Input matched according to figure 6<br>ASK (level of carrier)<br>$BER \leq 10^{-3}$ , $B = 300\text{ kHz}$<br>$f_{in} = 433.92\text{ MHz}/315\text{ MHz}$<br>$T = 25^{\circ}\text{C}$ , $V_S = 5\text{ V}$<br>$f_{IF} = 1\text{ MHz}$ | $P_{Ref\_ASK}$   |                |                |                |            |  |
|  | BR_Range0   |  | -109           | -111           | -113           | dBm        |  |
|  | BR_Range1   |  | -107           | -109           | -111           | dBm        |  |
|  | BR_Range2   |  | -106           | -108           | -110           | dBm        |  |
|  | BR_Range3   |  | -104           | -106           | -108           | dBm        |  |
| Input sensitivity ASK<br>600 kHz IF filter   | Input matched according to figure 6<br>ASK (level of carrier)<br>$BER \leq 10^{-3}$ , $B = 600\text{ kHz}$<br>$f_{in} = 433.92\text{ MHz}/315\text{ MHz}$<br>$T = 25^{\circ}\text{C}$ , $V_S = 5\text{ V}$<br>$f_{IF} = 1\text{ MHz}$ | $P_{Ref\_ASK}$   |                |                |                |            |  |
|  | BR_Range0   |  | -108           | -110           | -112           | dBm        |  |
|  | BR_Range1   |  | -106.5         | -108.5         | -110.5         | dBm        |  |
|  | BR_Range2   |  | -106           | -108           | -110           | dBm        |  |
|  | BR_Range3   |  | -104           | -106           | -108           | dBm        |  |
| Sensitivity variation ASK for the full operating range compared to $T_{amb} = 25^{\circ}\text{C}$ , $V_S = 5\text{ V}$                 | 300-kHz and 600-kHz version<br>$f_{in} = 433.92\text{ MHz}/315\text{ MHz}$<br>$f_{IF} = 1\text{ MHz}$<br>$P_{ASK} = P_{Ref\_ASK} + \Delta P_{Ref}$  | $\Delta P_{Ref}$   | +2.5           |                | -1.5           | dB         |  |
| Sensitivity variation ASK for full operating range including IF filter compared to $T_{amb} = 25^{\circ}\text{C}$ , $V_S = 5\text{ V}$ | 300-kHz version<br>$f_{in} = 433.92\text{ MHz}/315\text{ MHz}$<br>$f_{IF} = 0.88\text{ MHz}$ to $1.12\text{ MHz}$<br>$f_{IF} = 0.85\text{ MHz}$ to $1.15\text{ MHz}$<br>$P_{ASK} = P_{Ref\_ASK} + \Delta P_{Ref}$                     | $\Delta P_{Ref}$   | +5.5<br>+7.5   |                | -1.5<br>-1.5   | dB<br>dB   |  |
|  | 600-kHz version<br>$f_{in} = 433.92\text{ MHz}/315\text{ MHz}$<br>$f_{IF} = 0.79\text{ MHz}$ to $1.21\text{ MHz}$<br>$f_{IF} = 0.73\text{ MHz}$ to $1.27\text{ MHz}$<br>$P_{ASK} = P_{Ref\_ASK} + \Delta P_{Ref}$                     | $\Delta P_{Ref}$   | +5.5<br>+7.5   |                | -1.5<br>-1.5   | dB<br>dB   |  |
|  | Input sensitivity FSK<br>600 kHz IF filter  | Input matched according to figure 6,<br>$BER \leq 10^{-3}$ , $B = 600\text{ kHz}$<br>$f_{in} = 433.92\text{ MHz}/315\text{ MHz}$<br>$T = 25^{\circ}\text{C}$ , $V_S = 5\text{ V}$<br>$f_{IF} = 1\text{ MHz}$ | $P_{Ref\_FSK}$ |                |                |            |  |
|  | BR_Range0<br>$df \geq \pm 20\text{ kHz}$<br>$df \geq \pm 30\text{ kHz}$   |  | -95.5<br>-96.5 | -97.5<br>-98.5 | -99.5<br>100.5 | dBm<br>dBm |  |
| BR_Range1<br>$df \geq \pm 20\text{ kHz}$<br>$df \geq \pm 30\text{ kHz}$  |   | -94.5<br>-95.5   | -96.5<br>-97.5 | -98.5<br>-99.5 | dBm<br>dBm     |            |  |

## Electrical Characteristics (continued)

All parameters refer to GND,  $T_{amb} = -40^{\circ}\text{C}$  to  $+105^{\circ}\text{C}$ ,  $V_S = 4.5\text{ V}$  to  $5.5\text{ V}$ ,  $f_0 = 433.92\text{ MHz}$  and  $f_0 = 315\text{ MHz}$ , unless otherwise specified. ( $V_S = 5\text{ V}$ ,  $T_{amb} = 25^{\circ}\text{C}$ )

| Parameters   | Test Conditions / Pins   | Symbol                     | Min.                      | Typ.                      | Max.                       | Unit   |
|--|--|----------------------------|---------------------------|---------------------------|----------------------------|--|
| Sensitivity variation FSK for the full operating range compared to $T_{amb} = 25^{\circ}\text{C}$ , $V_S = 5\text{ V}$                 | 300-kHz and 600-kHz version<br>$f_{in} = 433.92\text{ MHz}/ 315\text{ MHz}$<br>$f_{IF} = 1\text{ MHz}$<br>$P_{FSK} = P_{Ref\_FSK} + \Delta P_{Ref}$  | $\Delta P_{Ref}$           | +2.5                      |                           | -1.5                       | dB   |
| Sensitivity variation FSK for full operating range including IF filter compared to $T_{amb} = 25^{\circ}\text{C}$ , $V_S = 5\text{ V}$ | 600-kHz version<br>$f_{in} = 433.92\text{ MHz}/ 315\text{ MHz}$<br>$f_{IF} = 0.86\text{ MHz}$ to $1.14\text{ MHz}$<br>$f_{IF} = 0.82\text{ MHz}$ to $1.18\text{ MHz}$<br>$P_{FSK} = P_{Ref\_FSK} + \Delta P_{Ref}$ | $\Delta P_{Ref}$           | +5.5<br>+7.5              |                           | -1.5<br>-1.5               | dB<br>dB   |
| FSK frequency deviation  | The sensitivity of the receiver is higher for higher values of $\Delta f_{FSK}$<br>BR_Range0<br>BR_Range1<br>BR_Range2 and BR_Range3 are not suitable for FSK operation  | $\Delta f_{FSK}$           | 20<br>20                  | 30<br>30                  | 50<br>50                   | kHz<br>kHz   |
| S/N ratio to suppress inband noise signals   | ASK mode<br>FSK mode   | $SNR_{ASK}$<br>$SNR_{FSK}$ | 10<br>2                   |                           | 12<br>3                    | dB<br>dB   |
| Dynamic range RSSI ampl.   |  | $DR_{RSSI}$                |                           | 60                        |                            | dB   |
| Lower cut-off frequency of the data filter   | $f_{cu\_DF} = \frac{1}{2 \times \pi \times 30\text{k}\Omega \times \text{CDEM}}$<br>CDEM = 33 nF   | $f_{cu\_DF}$               | 0.11                      | 0.16                      | 0.20                       | kHz  |
| Recommended CDEM for best performance  | ASK mode<br>BR_Range0 (Default)<br>BR_Range1<br>BR_Range2<br>BR_Range3   | CDEM                       |                           | 39<br>22<br>12<br>8.2     |                            | nF<br>nF<br>nF<br>nF   |
|  | FSK mode<br>BR_Range0 (Default)<br>BR_Range1<br>BR_Range2 and BR_Range3 are not suitable for FSK operation   | CDEM                       |                           | 27<br>15                  |                            | nF<br>nF   |
| Maximum edge-to-edge time period of the input data signal for full sensitivity   | BR_Range0 (Default)<br>BR_Range1<br>BR_Range2<br>BR_Range3   | $t_{ee\_sig}$              |                           |                           | 1000<br>560<br>320<br>180  | $\mu\text{s}$<br>$\mu\text{s}$<br>$\mu\text{s}$<br>$\mu\text{s}$ |
| Upper cut-off frequency data filter  | Upper cut-off frequency programmable in 4 ranges via a serial mode word<br>BR_Range0 (Default)<br>BR_Range1<br>BR_Range2<br>BR_Range3  | $f_u$                      | 2.5<br>4.3<br>7.6<br>13.6 | 3.1<br>5.4<br>9.5<br>17.0 | 3.7<br>6.5<br>11.4<br>20.4 | kHz<br>kHz<br>kHz<br>kHz   |
| Minimum edge-to-edge time period of the input data signal for full sensitivity   | BR_Range0 (Default)<br>BR_Range1<br>BR_Range2<br>BR_Range3   | $t_{ee\_sig}$              |                           |                           | 270<br>156<br>89<br>50     | $\mu\text{s}$<br>$\mu\text{s}$<br>$\mu\text{s}$<br>$\mu\text{s}$ |

## Electrical Characteristics (continued)

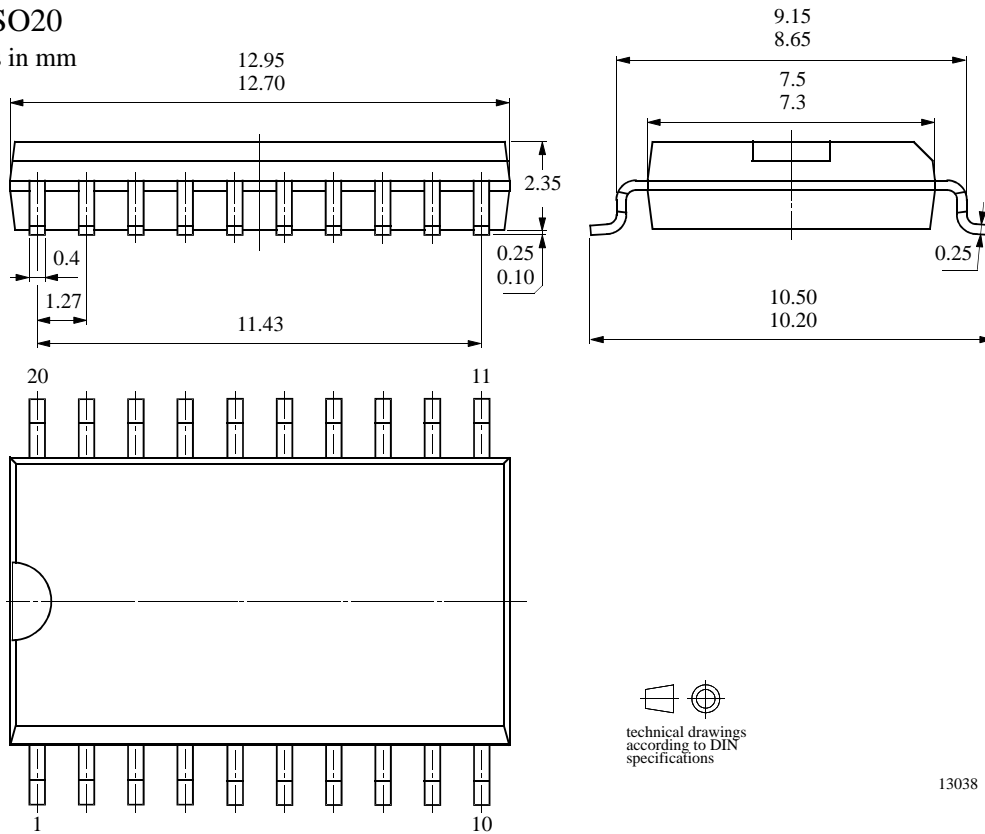
All parameters refer to GND,  $T_{amb} = -40^{\circ}\text{C}$  to  $+105^{\circ}\text{C}$ ,  $V_S = 4.5\text{ V}$  to  $5.5\text{ V}$ ,  $f_0 = 433.92\text{ MHz}$  and  $f_0 = 315\text{ MHz}$ , unless otherwise specified. ( $V_S = 5\text{ V}$ ,  $T_{amb} = 25^{\circ}\text{C}$ )

| Parameters   | Test Conditions / Pins   | Symbol  | Min.                | Typ.                         | Max.                          | Unit   |
|--|--|---|---------------------|------------------------------|-------------------------------|--|
| Reduced sensitivity  | $R_{Sense}$ connected from Pin Sens to $V_S$ , input matched according to figure 6   | $P_{Ref\_Red}$                                    |                     |                              |                               | dBm (peak level)                             |
|  | $R_{Sense} = 56\text{ k}\Omega$ , $f_{in} = 433.92\text{ MHz}$ , ( $V_S = 5\text{ V}$ , $T_{amb} = 25^{\circ}\text{C}$ )<br>@ $B = 300\text{ kHz}$<br>@ $B = 600\text{ kHz}$ |   | -71<br>-67          | -76<br>-72                   | -81<br>-77                    | dBm<br>dBm                                   |
|  | $R_{Sense} = 100\text{ k}\Omega$ , $f_{in} = 433.92\text{ MHz}$<br>@ $B = 300\text{ kHz}$<br>@ $B = 600\text{ kHz}$  |   | -80<br>-76          | -85<br>-81                   | -90<br>-86                    | dBm<br>dBm                                   |
|  | $R_{Sense} = 56\text{ k}\Omega$ , $f_{in} = 315\text{ MHz}$<br>@ $B = 300\text{ kHz}$<br>@ $B = 600\text{ kHz}$  |   | -72<br>-68          | -77<br>-73                   | -82<br>-78                    | dBm<br>dBm                                   |
|  | $R_{Sense} = 100\text{ k}\Omega$ , $f_{in} = 315\text{ MHz}$<br>@ $B = 300\text{ kHz}$<br>@ $B = 600\text{ kHz}$   |   | -81<br>-77          | -86<br>-82                   | -91<br>-87                    | dBm<br>dBm                                   |
| Reduced sensitivity variation over full operating range  | $R_{Sense} = 56\text{ k}\Omega$  | $\Delta P_{Red}$                                  | 5                   | 0                            | 0                             | dB   |
|  | $R_{Sense} = 100\text{ k}\Omega$<br>$P_{Red} = P_{Ref\_Red} + \Delta P_{Red}$  |   | 6                   | 0                            | 0                             | dB   |
| Reduced sensitivity variation for different values of $R_{Sense}$  | Values relative to $R_{Sense} = 56\text{ k}\Omega$   | $\Delta P_{Red}$                                  |                     |                              |                               |  |
|  | $R_{Sense} = 56\text{ k}\Omega$  |   | 0                   |                              |                               | dB   |
|  | $R_{Sense} = 68\text{ k}\Omega$  |   | -3.5                |                              |                               | dB   |
|  | $R_{Sense} = 82\text{ k}\Omega$  |   | -6.0                |                              |                               | dB   |
|  | $R_{Sense} = 100\text{ k}\Omega$   |   | -9.0                |                              |                               | dB   |
|  | $R_{Sense} = 120\text{ k}\Omega$   |   | -11.0               |                              |                               | dB   |
|  | $R_{Sense} = 150\text{ k}\Omega$<br>$P_{Red} = P_{Ref\_Red} + \Delta P_{Red}$  |   | -13.5               |                              |                               | dB   |
| Threshold voltage for reset  |  | $V_{ThRESET}$                                     | 1.95                | 2.8                          | 3.75                          | V  |
| <b>Digital ports</b>   |  |   |                     |                              |                               |  |
| Data output<br>– Saturation voltage LOW<br>– Internal pull-up resistor<br>– Maximum time constant<br>– Maximum caoacitive load | $I_{ol} = 1\text{ mA}$<br>$\tau = C_L (R_{pup}/R_{Ext})$<br>without ext. pull-up resistor<br>$R_{ext} = 5\text{ k}\Omega$  | $V_{OI}$<br>$R_{Pup}$<br>$\tau$<br>$C_L$<br>$C_L$ | 39                  | 0.08<br>50                   | 0.3<br>61<br>2.5<br>41<br>540 | V<br>k $\Omega$<br>$\mu\text{s}$<br>pF<br>pF |
| POUT output<br>– Saturation voltage LOW<br>– Saturation voltage HIGH   | $I_{POUT} = 1\text{ mA}$<br>$I_{POUT} = -1\text{ mA}$  | $V_{OI}$<br>$V_{Oh}$                              | $V_S - 0.3\text{V}$ | 0.08<br>$V_S - 0.14\text{V}$ | 0.3                           | V<br>V                                       |
| FSK/ASK input<br>– Low level input voltage<br>– High level input voltage   | FSK selected<br>ASK selected   | $V_{Il}$<br>$V_{Ih}$                              | $0.8 \times V_S$    |                              | $0.2 \times V_S$              | V<br>V                                       |
| ENABLE input<br>– Low level input voltage<br>– High level input voltage  | Idle mode<br>Active mode   | $V_{Il}$<br>$V_{Ih}$                              | $0.8 \times V_S$    |                              | $0.2 \times V_S$              | V<br>V                                       |
| MODE input<br>– Low level input voltage<br>– High level input voltage  | Division factor = 10<br>Division factor = 14   | $V_{Il}$<br>$V_{Ih}$                              | $0.8 \times V_S$    |                              | $0.2 \times V_S$              | V<br>V                                       |
| TEST input<br>– Low level input voltage  | Test input must always be set to LOW   | $V_{Il}$  |                     |                              | $0.2 \times V_S$              | V  |

# U3741BM

## Package Information

Package SO20  
Dimensions in mm



  
technical drawings  
according to DIN  
specifications

13038



---

## Ozone Depleting Substances Policy Statement

It is the policy of **TEMIC Semiconductor GmbH** to

1. Meet all present and future national and international statutory requirements.
2. Regularly and continuously improve the performance of our products, processes, distribution and operating systems with respect to their impact on the health and safety of our employees and the public, as well as their impact on the environment.

It is particular concern to control or eliminate releases of those substances into the atmosphere which are known as ozone depleting substances (ODSs).

The Montreal Protocol (1987) and its London Amendments (1990) intend to severely restrict the use of ODSs and forbid their use within the next ten years. Various national and international initiatives are pressing for an earlier ban on these substances.

**TEMIC Semiconductor GmbH** has been able to use its policy of continuous improvements to eliminate the use of ODSs listed in the following documents.

1. Annex A, B and list of transitional substances of the Montreal Protocol and the London Amendments respectively
2. Class I and II ozone depleting substances in the Clean Air Act Amendments of 1990 by the Environmental Protection Agency (EPA) in the USA
3. Council Decision 88/540/EEC and 91/690/EEC Annex A, B and C (transitional substances) respectively.

**TEMIC Semiconductor GmbH** can certify that our semiconductors are not manufactured with ozone depleting substances and do not contain such substances.

**We reserve the right to make changes to improve technical design and may do so without further notice.**

Parameters can vary in different applications. All operating parameters must be validated for each customer application by the customer. Should the buyer use TEMIC products for any unintended or unauthorized application, the buyer shall indemnify TEMIC against all claims, costs, damages, and expenses, arising out of, directly or indirectly, any claim of personal damage, injury or death associated with such unintended or unauthorized use.

TEMIC Semiconductor GmbH, P.O.B. 3535, D-74025 Heilbronn, Germany  
Telephone: 49 (0)7131 67 2594, Fax number: 49 (0)7131 67 2423