

# High Power-Factor Preregulator

## FEATURES

- Low-Cost Power Factor Correction
- Power Factor Greater Than 0.99
- Few External Parts Required
- Controlled On-Time Boost PWM
- Zero-Current Switching
- Limited Peak Current
- Min and Max Frequency Limits
- Starting Current Less Than 1mA
- High-Current FET Drive Output
- Under-Voltage Lockout

## DESCRIPTION

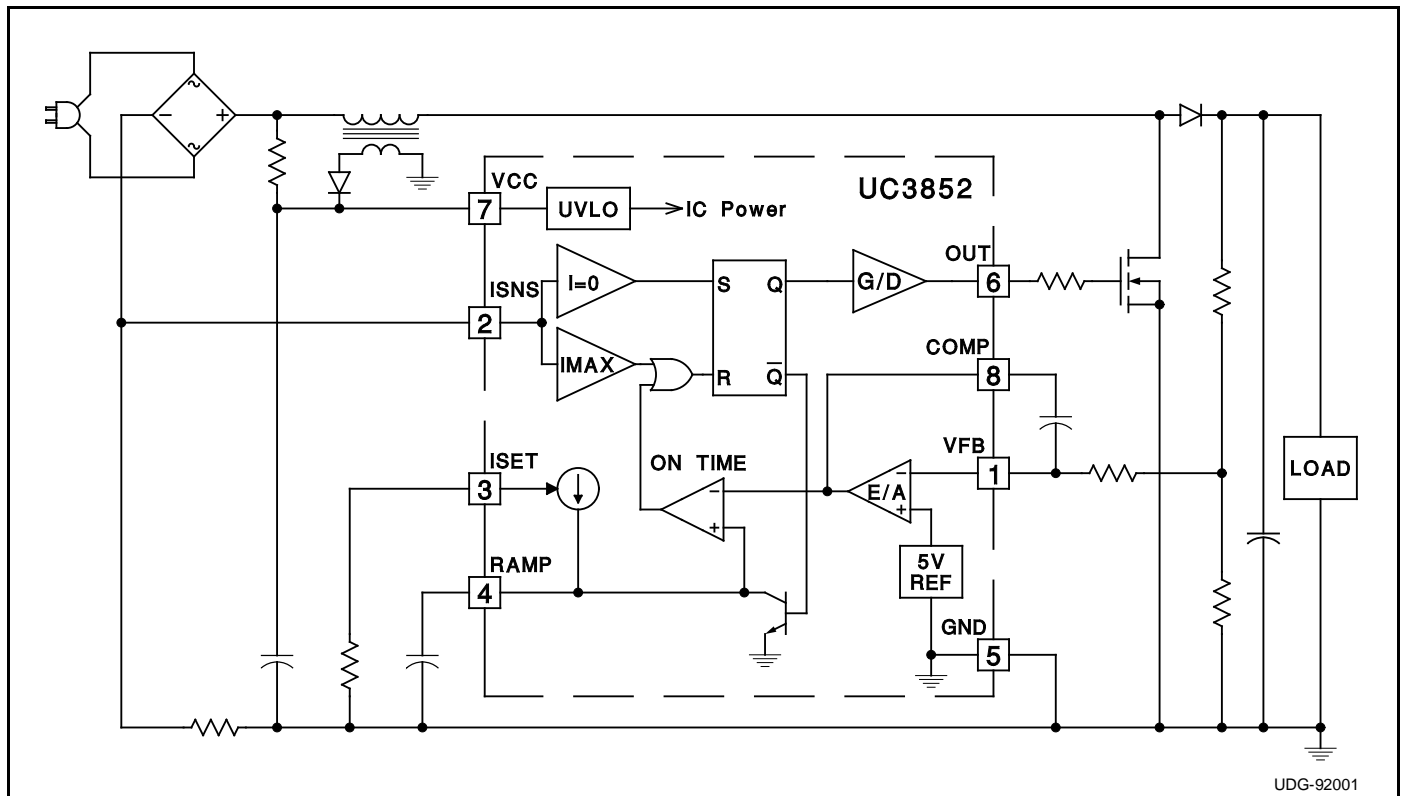
The UC1852 provides a low-cost solution to active power-factor correction (PFC) for systems that would otherwise draw high peak current pulses from AC power lines. This circuit implements zero-current switched boost conversion, producing sinusoidal input currents with a minimum of external components, while keeping peak current substantially below that of fully-discontinuous converters.

The UC1852 provides controlled switch on-time to regulate the output bulk DC voltage, an off-time defined by the boost inductor, and a zero-current sensing circuit to reactivate the switch cycle. Even though switching frequency varies with both load and instantaneous line voltage, it can be maintained within a reasonable range to minimize noise generation.

While allowing higher peak switch currents than continuous PFCs such as the UC1854, this device offers less external circuitry and smaller inductors, yet better performance and easier line-noise filtering than discontinuous current PFCs with no sacrifice in complexity or cost. The ability to obtain a power factor in excess of 0.99 makes the UC1852 an optimum choice for low-cost applications in the 50 to 500 watt power range. Protection features of these devices include under-voltage lockout, output clamping, peak-current limiting, and maximum-frequency clamping.

The UC1852 family is available in 8-pin plastic and ceramic dual in-line packages, and in the 8-pin small outline IC package (SOIC). The UC1852 is specified for operation from -55°C to +125°C, the UC2852 is specified for operation from -40°C to +85°C, and the UC3852 is specified for operation from 0°C to +70°C.

## TYPICAL APPLICATION



### ABSOLUTE MAXIMUM RATINGS

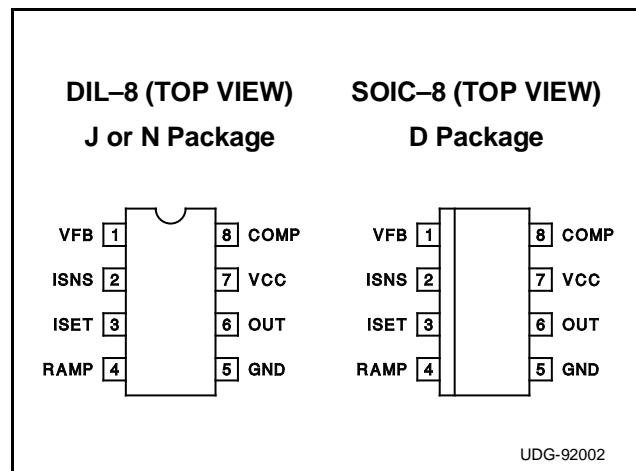
Supply Voltage (Low-impedance Source).....	30.0V
Supply Current (High-impedance Source) .....	30.0mA
OUT Current, Peak .....	±1.0A
OUT Energy, Capacitive Load.....	5.0μJ
Input Voltage, ISNS .....	±5.0V
Input Voltage, VFB.....	-0.3V to +10.0V
COMP Current.....	±10.0mA
ISET Current.....	-10.0mA
Power Dissipation at Ta≤25°C (Note 3) .....	1.0W
Storage Temperature .....	-65°C to +150°C
Lead Temperature (Soldering, 10 Seconds).....	+300°C

Note 1: All voltages with respect to GND (Pin 1).

Note 2: All currents are positive into the specified terminal.

Note 3: Refers to DIL-8 Package. Consult Packaging Section of Unitrode Integrated Circuits databook for thermal limitations and considerations of package.

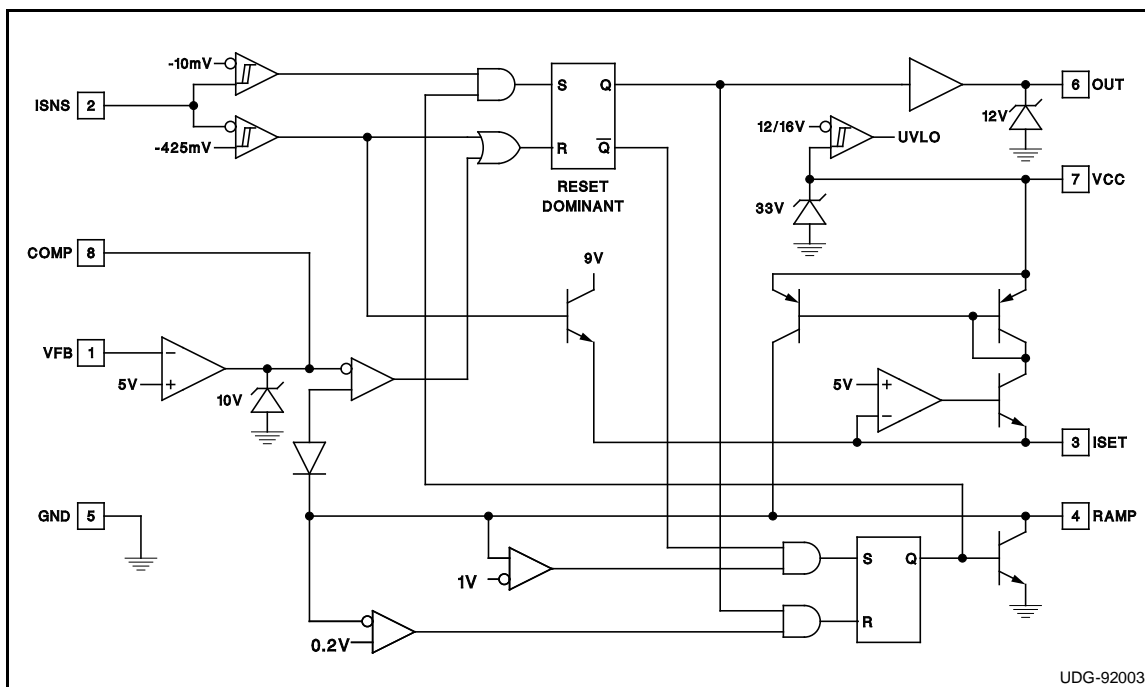
### CONNECTION DIAGRAM



**ELECTRICAL CHARACTERISTICS** Unless otherwise stated, VCC=24V, ISET=50kΩ to GND, RAMP=1nF to GND, ISNS=-0.1V, VFB connected to COMP, no load on OUT, -55°C<Ta<+125°C for the UC1852, -40°C<Ta<+85°C for the UC2852, and 0°C<Ta<+70°C for the UC3852, and Ta=Tj.

PARAMETER	TEST CONDITIONS	MIN.	TYP.	MAX.	UNITS
<b>Timer Section</b>					
ISET Voltage		4.5	5.0	5.5	V
RAMP Charge Current	RAMP=2.5V	88	98	108	μA
RAMP Discharge Current	ISNS= -1.0V, RAMP=1.0V	12	28	50	mA
RAMP Saturation Voltage	ISNS= -1.0V, IRAMP=100μA		0.006	0.200	V
RAMP Threshold - Maximum Frequency	VFB=10V, COMP open	0.92	1.02	1.12	V
RAMP Threshold - PWM Comparator		3.9	4.3	4.8	V
<b>Current Sense Comparator</b>					
ISNS Restart Threshold		-18	-10	-4	mV
ISNS Fault Threshold		-550	-450	-350	mV
ISNS Input Current		-100	-30	100	μA
<b>Error Amplifier Section</b>					
VFB Input Voltage		4.6	5.0	5.3	V
VFB Input Bias Current		-5.00	-0.03	5.00	μA
COMP Sink Current	COMP=7.5V	10			mA
COMP Source Current	COMP=2.5V	-300	-175	-100	μA
COMP Clamp Voltage	VFB=0.0V, COMP open	9.2	10.0	10.6	V
<b>OUT Output</b>					
OUT Saturation Voltage High	VCC=13V, IOUT= -200mA, RAMP=2V	0.5	1.7	2.5	V
OUT Saturation Voltage Low	IOUT=200mA, ISNS= -1.0V	0.5	1.6	2.2	V
OUT Saturation Voltage Low @ 10mA	IOUT=10mA, ISNS= -1.0V		0.05	0.40	V
OUT Clamp Voltage	IOUT= -200mA, RAMP=2V	10.0	12.0	14.5	V
OUT Voltage during UVLO	IOUT=100mA, VCC=0V	0.5	1.0	2.2	V
<b>Overall Section</b>					
Inactive Supply Current	VCC=10V	0.2	0.4	1.0	mA
Active Supply Current		3.0	6.0	10.0	mA
VCC Clamp Voltage	ICC=25mA	30	33	36	V
VCC Turn-On Threshold		14.5	16.3	17.5	V
VCC Turn-Off Threshold		10.5	11.5	13.0	V
VCC Threshold Hysteresis		3	5	7	V

## DETAILED BLOCK DIAGRAM



## PIN DESCRIPTIONS

**COMP:** COMP is the output of the error amplifier and the input of the PWM comparator. To limit PWM on-time, this pin is clamped to approximately 10V. To implement soft start, the COMP pin can be pulled low and ramped up with a PNP transistor, a capacitor, and a resistor.

**GND:** Ground for all functions is through this pin.

**ISET:** The dominant function of this pin is to program RAMP charging current. RAMP charging current is approximately 5V divided by the external resistor placed from ISET to ground. Resistors in the range of 10k $\Omega$  to 50k $\Omega$  are recommended, producing currents in the range of 100 $\mu$ A to 500 $\mu$ A.

A second function of ISET is as reference output. The ISET pin is normally regulated to 5V  $\pm$ 10%. It is critical that this pin only see the loading of the RAMP programming resistor, but a high input-impedance comparator or amplifier may be connected to this pin or to a tap on the RAMP programming resistor if required.

The third function of the ISET pin is as a FAULT output. In the event of an over-current fault, the ISET pin is forced to approximately 9V by the fault comparator. This can be used to trip an external protection circuit which can disable the load or start a fault restart cycle.

**ISNS:** This input to the zero and over current comparators is specially built to allow operation over a  $\pm$ 5V dynamic range. In noisy systems or systems with very high Q inductors, it is desirable to filter the signal entering the ISNS input to prevent premature restart or fault cycles. For best

accuracy, ISNS should be connected to a current sense resistor through no more than 200 ohms.

**OUT:** The output of a high-current power driver capable of driving the gate of a power MOSFET with peak currents exceeding  $\pm$ 500mA. To prevent damage to the power MOSFET, the OUT pin is internally driven by a 12V supply. However, lead inductance between the OUT pin and the load can cause overshoot and ringing. External current boost transistors will increase this overshoot and ringing. If there is any significant distance between the IC and the MOSFET, external clamp diodes and/or series damping resistors may be required. OUT is actively held low when the VCC is below the UVLO threshold.

**RAMP:** A controlled on-time PWM requires a timer whose time can be modulated by an external voltage. The timer current is programmed by a resistor from ISET to GND. A capacitor from RAMP to GND sets the on time in conjunction with the voltage on COMP. Recommended values for the timer capacitors are between 100pF and 1nF.

**VCC:** VCC is the logic and control power connection for this device. VCC current is the sum of active device supply current and the average OUT current. Knowing the maximum operating frequency and the MOSFET gate charge (Q<sub>g</sub>), average OUT current can be estimated by:

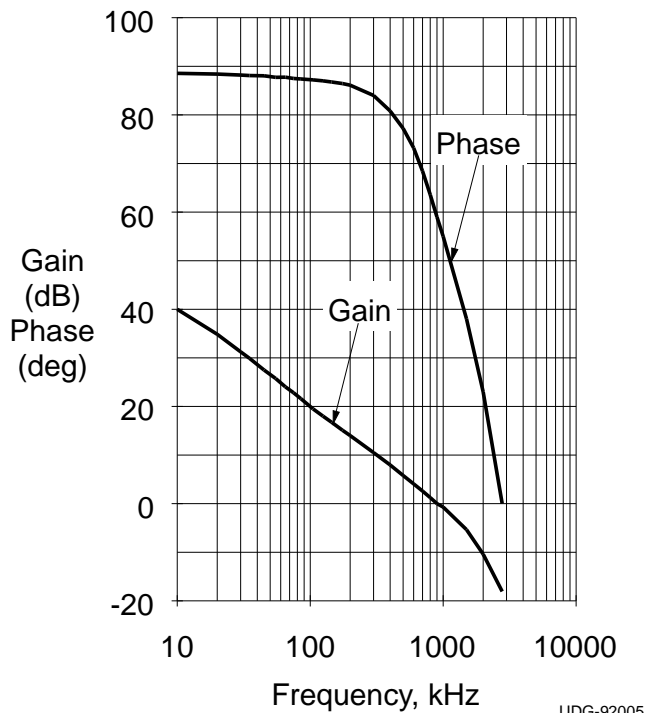
$$I_{OUT} = Q_g \times F$$

To prevent noise problems, bypass VCC to GND with both a ceramic and an electrolytic capacitor.

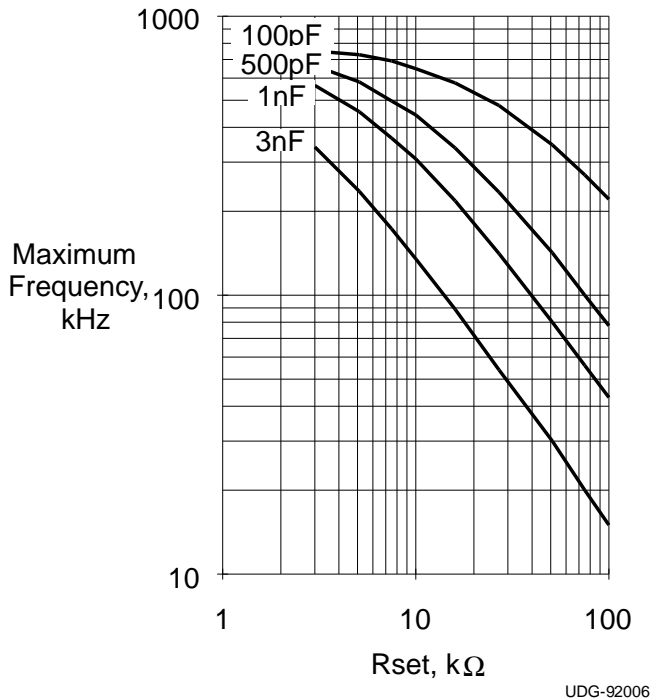
**VFB:** VFB is the error amplifier inverting input. This input serves as both the voltage sense input to the error amplifier

TYPICAL CHARACTERISTICS

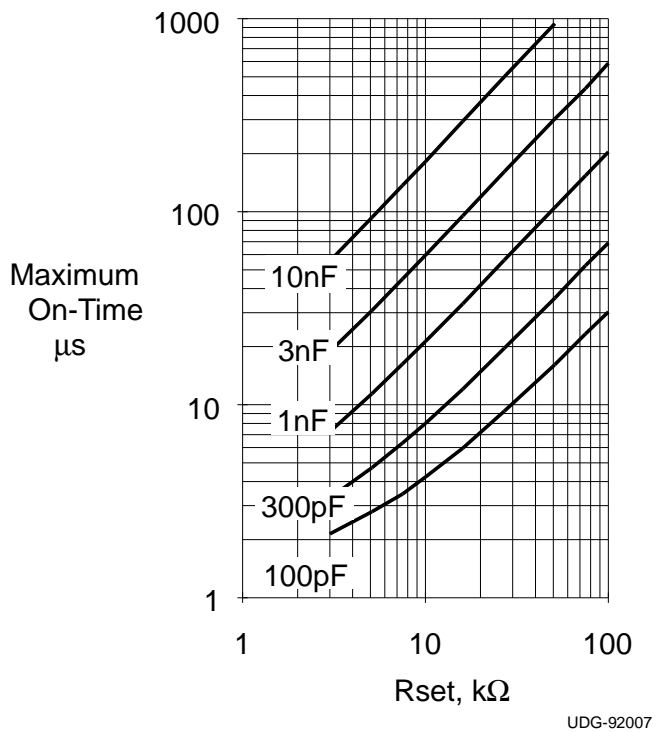
**Error Amplifier Gain and Phase**



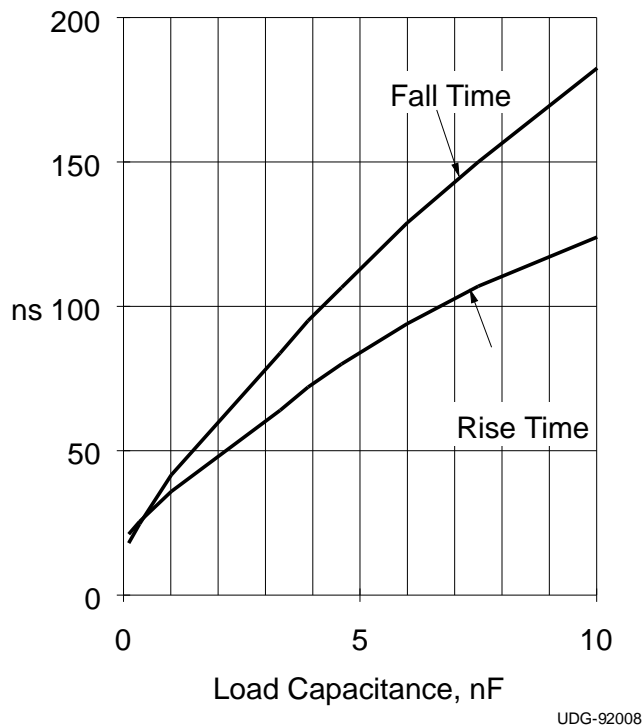
**Max Frequency vs. Rset and Ct**



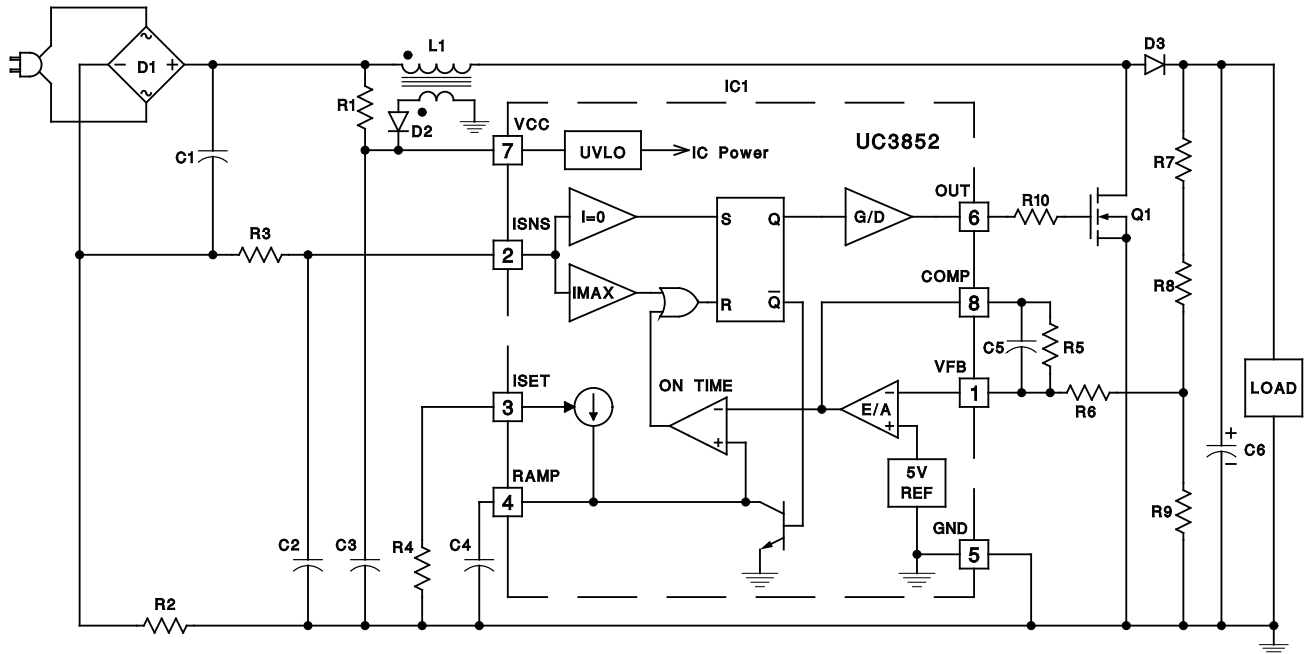
**Max On-Time vs. Rset and Ct**



**OUT Rise and Fall Time**



APPLICATION INFORMATION: A 100 Watt Power Factor Preregulator



UDG-92004

This circuit demonstrates a complete power factor preregulator based on the UC3852. This preregulator will supply up to 100 watts at 400VDC and exhibit power factor greater than 0.995 with less than 10% total harmonic distortion. Operating input range is 90V to 160V RMS at 50Hz to 60Hz.

This design is intentionally simple, yet fully functional. The UC3852 can also be used in designs featuring soft start, over-voltage protection, wide power-line voltage operation, and fault latching. For more information on applying the UC3852, refer to Unitrode Application Note U-132.

**PARTS LIST**

C1	0.47μF/250VAC X2 Class Polyester	Q1	IRF830 4.5A/500V 1.5Ω Power FET
C2	1nF/16V Ceramic	L1	680μH (Renco RL3792 with 10 Turn 24 AWG Secondary)
C3	68μF/35V Aluminum Electrolytic	R1	150kΩ, 1/4W
C4	180pF/16V Ceramic	R2	0.2Ω, 1/2W Carbon Composition
C5	0.1μF/16V Polyester or Ceramic	R3	10Ω, 1/4W
C6	82μF/450V Aluminum Electrolytic	R4	13.3kΩ, 1/4W
D1	2A/500V Bridge Rectifier (Collmer KBPC106 or Powertex MB11A02V60)	R5	1MΩ, 1/4W
D2	100mA/50V Switching Diode (1N4148)	R6	20kΩ, 1/4W
D3	2A/500V 250ns Recovery-Time Rectifier (Motorola MR856)	R7	200kΩ, 1/2W
IC1	UC3852N Power Factor Controller IC	R8	200kΩ, 1/2W

**PACKAGING INFORMATION**

Orderable Device	Status <sup>(1)</sup>	Package Type	Package Drawing	Pins	Package Qty	Eco Plan <sup>(2)</sup>	Lead/Ball Finish	MSL Peak Temp <sup>(3)</sup>
UC1852J	OBSOLETE	CDIP	J	8		TBD	Call TI	Call TI
UC1852J883B	OBSOLETE	CDIP	J	8		TBD	Call TI	Call TI
UC2852D	ACTIVE	SOIC	D	8	75	Green (RoHS & no Sb/Br)	Call TI	Level-2-260C-1 YEAR
UC2852DG4	ACTIVE	SOIC	D	8	75	Green (RoHS & no Sb/Br)	Call TI	Level-2-260C-1 YEAR
UC2852DTR	ACTIVE	SOIC	D	8	2500	Green (RoHS & no Sb/Br)	Call TI	Level-2-260C-1 YEAR
UC2852DTRG4	ACTIVE	SOIC	D	8	2500	Green (RoHS & no Sb/Br)	Call TI	Level-2-260C-1 YEAR
UC2852N	ACTIVE	PDIP	P	8	50	Green (RoHS & no Sb/Br)	CU NIPDAU	N / A for Pkg Type
UC2852NG4	ACTIVE	PDIP	P	8	50	Green (RoHS & no Sb/Br)	CU NIPDAU	N / A for Pkg Type
UC3852D	ACTIVE	SOIC	D	8	75	Green (RoHS & no Sb/Br)	Call TI	Level-2-260C-1 YEAR
UC3852DG4	ACTIVE	SOIC	D	8	75	Green (RoHS & no Sb/Br)	Call TI	Level-2-260C-1 YEAR
UC3852DTR	ACTIVE	SOIC	D	8	2500	Green (RoHS & no Sb/Br)	Call TI	Level-2-260C-1 YEAR
UC3852DTRG4	ACTIVE	SOIC	D	8	2500	Green (RoHS & no Sb/Br)	Call TI	Level-2-260C-1 YEAR
UC3852N	ACTIVE	PDIP	P	8	50	Green (RoHS & no Sb/Br)	CU NIPDAU	N / A for Pkg Type
UC3852NG4	ACTIVE	PDIP	P	8	50	Green (RoHS & no Sb/Br)	CU NIPDAU	N / A for Pkg Type

<sup>(1)</sup> The marketing status values are defined as follows:

**ACTIVE:** Product device recommended for new designs.

**LIFEBUY:** TI has announced that the device will be discontinued, and a lifetime-buy period is in effect.

**NRND:** Not recommended for new designs. Device is in production to support existing customers, but TI does not recommend using this part in a new design.

**PREVIEW:** Device has been announced but is not in production. Samples may or may not be available.

**OBSOLETE:** TI has discontinued the production of the device.

<sup>(2)</sup> Eco Plan - The planned eco-friendly classification: Pb-Free (RoHS), Pb-Free (RoHS Exempt), or Green (RoHS & no Sb/Br) - please check <http://www.ti.com/productcontent> for the latest availability information and additional product content details.

**TBD:** The Pb-Free/Green conversion plan has not been defined.

**Pb-Free (RoHS):** TI's terms "Lead-Free" or "Pb-Free" mean semiconductor products that are compatible with the current RoHS requirements for all 6 substances, including the requirement that lead not exceed 0.1% by weight in homogeneous materials. Where designed to be soldered at high temperatures, TI Pb-Free products are suitable for use in specified lead-free processes.

**Pb-Free (RoHS Exempt):** This component has a RoHS exemption for either 1) lead-based flip-chip solder bumps used between the die and package, or 2) lead-based die adhesive used between the die and leadframe. The component is otherwise considered Pb-Free (RoHS compatible) as defined above.

**Green (RoHS & no Sb/Br):** TI defines "Green" to mean Pb-Free (RoHS compatible), and free of Bromine (Br) and Antimony (Sb) based flame retardants (Br or Sb do not exceed 0.1% by weight in homogeneous material)

<sup>(3)</sup> MSL, Peak Temp. -- The Moisture Sensitivity Level rating according to the JEDEC industry standard classifications, and peak solder temperature.

**Important Information and Disclaimer:** The information provided on this page represents TI's knowledge and belief as of the date that it is provided. TI bases its knowledge and belief on information provided by third parties, and makes no representation or warranty as to the accuracy of such information. Efforts are underway to better integrate information from third parties. TI has taken and continues to take

reasonable steps to provide representative and accurate information but may not have conducted destructive testing or chemical analysis on incoming materials and chemicals. TI and TI suppliers consider certain information to be proprietary, and thus CAS numbers and other limited information may not be available for release.

In no event shall TI's liability arising out of such information exceed the total purchase price of the TI part(s) at issue in this document sold by TI to Customer on an annual basis.

**TAPE AND REEL INFORMATION**



**QUADRANT ASSIGNMENTS FOR PIN 1 ORIENTATION IN TAPE**



\*All dimensions are nominal

Device	Package Type	Package Drawing	Pins	SPQ	Reel Diameter (mm)	Reel Width W1 (mm)	A0 (mm)	B0 (mm)	K0 (mm)	P1 (mm)	W (mm)	Pin1 Quadrant
UC2852DTR	SOIC	D	8	2500	330.0	12.4	6.4	5.2	2.1	8.0	12.0	Q1
UC3852DTR	SOIC	D	8	2500	330.0	12.4	6.4	5.2	2.1	8.0	12.0	Q1



**TAPE AND REEL BOX DIMENSIONS**



\*All dimensions are nominal

Device	Package Type	Package Drawing	Pins	SPQ	Length (mm)	Width (mm)	Height (mm)
UC2852DTR	SOIC	D	8	2500	346.0	346.0	29.0
UC3852DTR	SOIC	D	8	2500	346.0	346.0	29.0

## IMPORTANT NOTICE

Texas Instruments Incorporated and its subsidiaries (TI) reserve the right to make corrections, modifications, enhancements, improvements, and other changes to its products and services at any time and to discontinue any product or service without notice. Customers should obtain the latest relevant information before placing orders and should verify that such information is current and complete. All products are sold subject to TI's terms and conditions of sale supplied at the time of order acknowledgment.

TI warrants performance of its hardware products to the specifications applicable at the time of sale in accordance with TI's standard warranty. Testing and other quality control techniques are used to the extent TI deems necessary to support this warranty. Except where mandated by government requirements, testing of all parameters of each product is not necessarily performed.

TI assumes no liability for applications assistance or customer product design. Customers are responsible for their products and applications using TI components. To minimize the risks associated with customer products and applications, customers should provide adequate design and operating safeguards.

TI does not warrant or represent that any license, either express or implied, is granted under any TI patent right, copyright, mask work right, or other TI intellectual property right relating to any combination, machine, or process in which TI products or services are used. Information published by TI regarding third-party products or services does not constitute a license from TI to use such products or services or a warranty or endorsement thereof. Use of such information may require a license from a third party under the patents or other intellectual property of the third party, or a license from TI under the patents or other intellectual property of TI.

Reproduction of TI information in TI data books or data sheets is permissible only if reproduction is without alteration and is accompanied by all associated warranties, conditions, limitations, and notices. Reproduction of this information with alteration is an unfair and deceptive business practice. TI is not responsible or liable for such altered documentation. Information of third parties may be subject to additional restrictions.

Resale of TI products or services with statements different from or beyond the parameters stated by TI for that product or service voids all express and any implied warranties for the associated TI product or service and is an unfair and deceptive business practice. TI is not responsible or liable for any such statements.

TI products are not authorized for use in safety-critical applications (such as life support) where a failure of the TI product would reasonably be expected to cause severe personal injury or death, unless officers of the parties have executed an agreement specifically governing such use. Buyers represent that they have all necessary expertise in the safety and regulatory ramifications of their applications, and acknowledge and agree that they are solely responsible for all legal, regulatory and safety-related requirements concerning their products and any use of TI products in such safety-critical applications, notwithstanding any applications-related information or support that may be provided by TI. Further, Buyers must fully indemnify TI and its representatives against any damages arising out of the use of TI products in such safety-critical applications.

TI products are neither designed nor intended for use in military/aerospace applications or environments unless the TI products are specifically designated by TI as military-grade or "enhanced plastic." Only products designated by TI as military-grade meet military specifications. Buyers acknowledge and agree that any such use of TI products which TI has not designated as military-grade is solely at the Buyer's risk, and that they are solely responsible for compliance with all legal and regulatory requirements in connection with such use.

TI products are neither designed nor intended for use in automotive applications or environments unless the specific TI products are designated by TI as compliant with ISO/TS 16949 requirements. Buyers acknowledge and agree that, if they use any non-designated products in automotive applications, TI will not be responsible for any failure to meet such requirements.

Following are URLs where you can obtain information on other Texas Instruments products and application solutions:

### Products

Amplifiers	<a href="http://amplifier.ti.com">amplifier.ti.com</a>
Data Converters	<a href="http://dataconverter.ti.com">dataconverter.ti.com</a>
DSP	<a href="http://dsp.ti.com">dsp.ti.com</a>
Clocks and Timers	<a href="http://www.ti.com/clocks">www.ti.com/clocks</a>
Interface	<a href="http://interface.ti.com">interface.ti.com</a>
Logic	<a href="http://logic.ti.com">logic.ti.com</a>
Power Mgmt	<a href="http://power.ti.com">power.ti.com</a>
Microcontrollers	<a href="http://microcontroller.ti.com">microcontroller.ti.com</a>
RFID	<a href="http://www.ti-rfid.com">www.ti-rfid.com</a>
RF/IF and ZigBee® Solutions	<a href="http://www.ti.com/lprf">www.ti.com/lprf</a>

### Applications

Audio	<a href="http://www.ti.com/audio">www.ti.com/audio</a>
Automotive	<a href="http://www.ti.com/automotive">www.ti.com/automotive</a>
Broadband	<a href="http://www.ti.com/broadband">www.ti.com/broadband</a>
Digital Control	<a href="http://www.ti.com/digitalcontrol">www.ti.com/digitalcontrol</a>
Medical	<a href="http://www.ti.com/medical">www.ti.com/medical</a>
Military	<a href="http://www.ti.com/military">www.ti.com/military</a>
Optical Networking	<a href="http://www.ti.com/opticalnetwork">www.ti.com/opticalnetwork</a>
Security	<a href="http://www.ti.com/security">www.ti.com/security</a>
Telephony	<a href="http://www.ti.com/telephony">www.ti.com/telephony</a>
Video & Imaging	<a href="http://www.ti.com/video">www.ti.com/video</a>
Wireless	<a href="http://www.ti.com/wireless">www.ti.com/wireless</a>

Mailing Address: Texas Instruments, Post Office Box 655303, Dallas, Texas 75265  
Copyright © 2008, Texas Instruments Incorporated