

9-Line Low Capacitance SCSI Active Terminator

FEATURES

- Complies with SCSI, SCSI-2 Standards
- 9pF Channel Capacitance during Disconnect
- 100µA Supply Current in Disconnect Mode
- Meets SCSI Hot Plugging Capability
- -300mA Sourcing Current for Termination
- +40mA Sinking Current for Active Negation
- Logic Command Disconnects all Termination Lines
- Trimmed Termination Current to 7%
- Trimmed Impedance to 7%
- Current Limit and Thermal Shutdown Protection

DESCRIPTION

The UC5604 provides 9 lines of active termination for a SCSI (Small Computer Systems Interface) parallel bus. The SCSI standard recommends active termination at both ends of the cable segment.

The UC5604 provides a disconnect feature which, when opened or driven high, will disconnect all terminating resistors and disable the regulator, greatly reducing standby power. The output channels remain high impedance even without *Tempwr* applied.

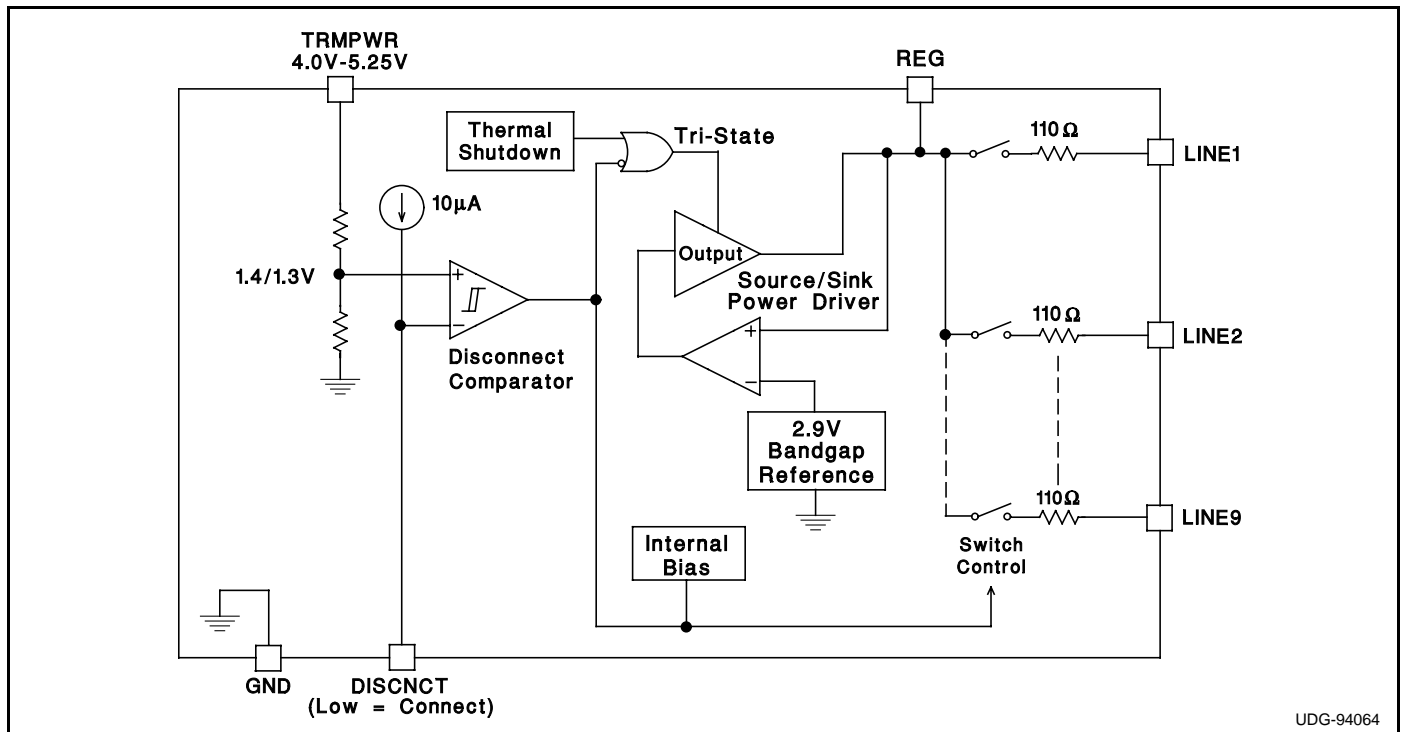
The UC5604 is pin-for-pin compatible with its predecessor, the UC5603 - 9 line Active Terminator. The only functional difference between the UC5604 and UC5603 is the absence of the negative clamps. Parametrically, the UC5604 has a 7% tolerance on impedance and current compared to a 3% tolerance on the UC5603 and the sink current is reduced from 300mA to 40mA. Custom power packages are utilized to allow normal operation at full power conditions (1.2 watts).

Internal circuit trimming is utilized, first to trim the impedance to a 7% tolerance, and then most importantly, to trim the output current to a 7% tolerance, as close to the max SCSI spec as possible, which maximizes noise margin in fast SCSI operation.

Other features include thermal shutdown and current limit.

This device is offered in low thermal resistance versions of the industry standard 16 pin narrow body SOIC, 16 pin ZIP (zig-zag in line package) and 24 pin TSSOP.

BLOCK DIAGRAM



UDG-94064

Circuit Design Patented

ABSOLUTE MAXIMUM RATINGS

Tempwr Voltage	+7V
Signal Line Voltage	0V to +7V
Regulator Output Current	0.5A
Storage Temperature	-65°C to +150°C
Operating Temperature	-55°C to +150°C
Lead Temperature (Soldering, 10 Sec.)	+300°C

Unless otherwise specified all voltages are with respect to Ground. Currents are positive into, negative out of the specified terminal.

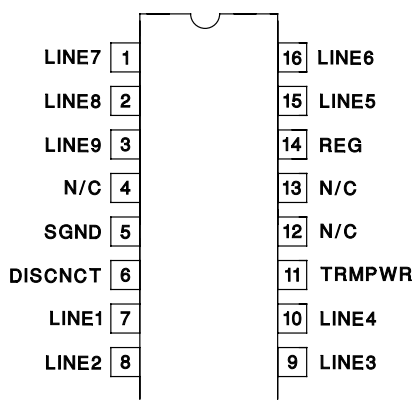
Consult Packaging Section of Unitrode Integrated Circuits databook for thermal limitations and considerations of packages.

RECOMMENDED OPERATING CONDITIONS

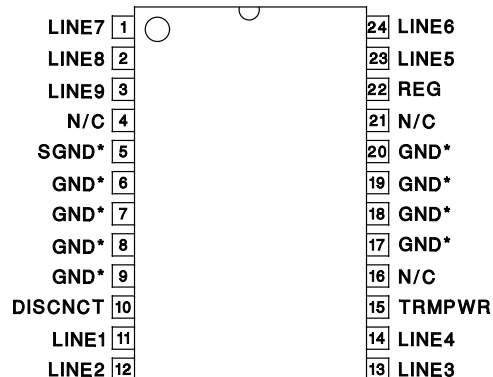
Tempwr Voltage	3.8V to 5.25V
Signal Line Voltage	0V to +5V
Disconnect Input Voltage	0V to Tempwr

CONNECTION DIAGRAMS

DIL-16 (Top View)
N or J Package

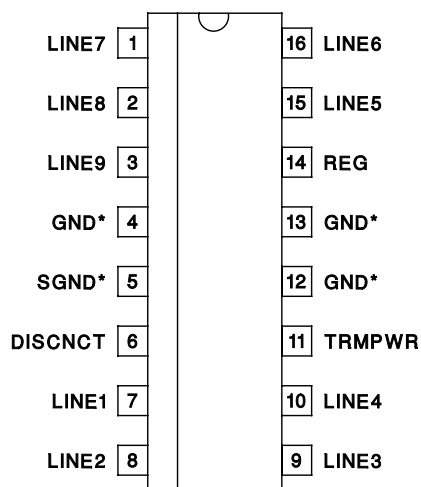


TSSOP-24 (Top View)
PWP Package



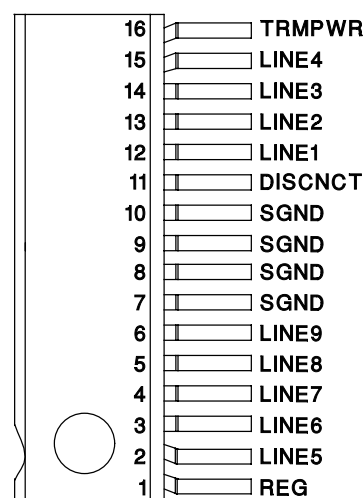
* PWP package pin 5 serves as signal ground; pins 6, 7, 8, 9, 17, 18, 19, and 20 serve as heatsink/ground.

SOIC-16 (Top View)
DP Package



* DP package pin 5 serves as signal ground; pins 4, 12, 13 serve as heatsink/ground.

ZIP-16 (Top View)
Z Package



Note: Drawings are not to scale.

ELECTRICAL CHARACTERISTICS Unless otherwise stated, these specifications apply for TA = 0°C to 70°C.
TRMPWR = 4.75V, DISCNCT = 0V. TA = TJ.

PARAMETER	TEST CONDITIONS		MIN	TYP	MAX	UNITS	
Supply Current Section							
Tempwr Supply Current	All termination lines = Open			14	20	mA	
	All termination lines = 0.5V			200	220	mA	
Power Down Mode	DISCNCT = Open			100	150	μA	
Output Section (Terminator Lines)							
Terminator Impedance	ΔLINE = -5mA to -15mA		97	110	129	Ohms	
Output High Voltage	TRMPWR = 4V (Note 1)		0°C < TJ < 70°C	2.55		3.2	V
			TJ = 25°C	2.6	2.9	3.1	V
Max Output Current	VLINE = 0.5V		TJ = 25°C	-19.5	-21.9	-22.4	mA
			0°C < TJ < 70°C	-18.5	-21.9	-22.4	mA
Max Output Current	VLINE = 0.5V, TRMPWR = 4V (Note 1)		TJ = 25°C	-18.0	-21.9	-22.4	mA
			0°C < TJ < 70°C	-17.0	-21.9	-22.4	mA
Output Clamp Level	ILINE = -30mA		-0.2	-0.05	0.1	V	
Output Leakage	DISCNCT = 4V	TRMPWR = 0V to 5.25V	VLINE = 0 to 4V		10	400	nA
		REG = 0V	VLINE = 5.25V			100	μA
		TRMPWR = 0V to 5.25V, REG = Open	VLINE = 0V to 5.25V		10	400	nA
Output Capacitance	DISCNCT = Open (Note 2)			9	12	pF	
Regulator Section							
Regulator Output Voltage			2.5	2.9	3.2	V	
Regulator Output Voltage	All Termination Lines = 5V		2.55	2.9	3.1	V	
Line Regulation	TRMPWR = 4V to 6V			10	20	mV	
Load Regulation	IREG = +100mA to -100mA			20	50	mV	
Drop Out Voltage	All Termination Lines = 0.5V			1.0	1.2	V	
Short Circuit Current	VREG = 0V		-200	-400	-600	mA	
Sinking Current Capability	VREG = 3.5V		20	40		mA	
Thermal Shutdown				170		°C	
Thermal Shutdown Hysteresis				10		°C	
Disconnect Section							
Disconnect Threshold			1.1	1.4	1.7	V	
Threshold Hysteresis				100		mV	
Input Current	DISCNCT = 0V			150	200	μA	

Note 1: Measuring each termination line while other 8 are low (0.5V).

Note 2: Guaranteed by design. Not 100% tested in production.

APPLICATION INFORMATION

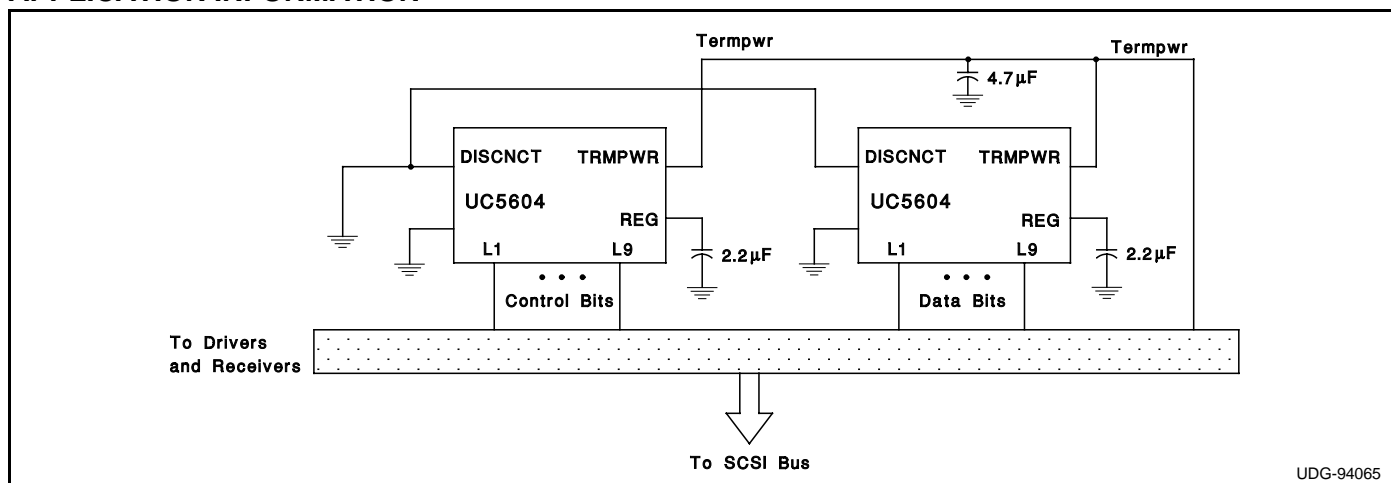


Figure 1: Typical SCSI Bus Configurations Utilizing 2 UC5604 Devices

APPLICATION INFORMATION (cont.)

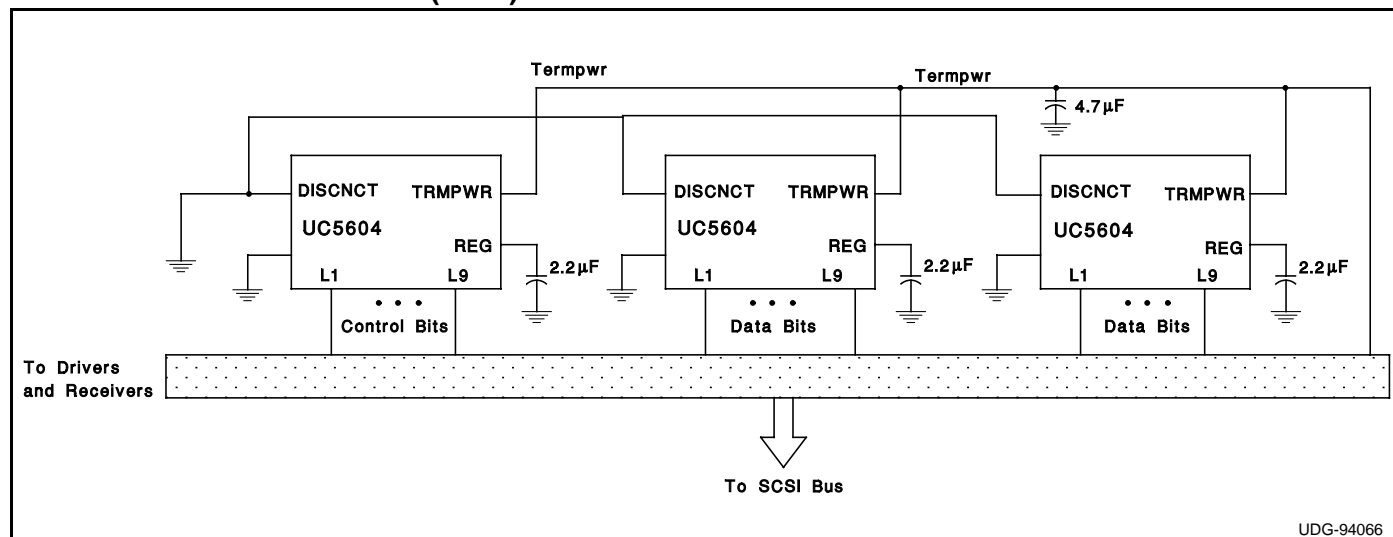


Figure 2: Typical Wide SCSI Bus Configurations Utilizing 3 UC5604 Devices.

IMPORTANT NOTICE

Texas Instruments and its subsidiaries (TI) reserve the right to make changes to their products or to discontinue any product or service without notice, and advise customers to obtain the latest version of relevant information to verify, before placing orders, that information being relied on is current and complete. All products are sold subject to the terms and conditions of sale supplied at the time of order acknowledgement, including those pertaining to warranty, patent infringement, and limitation of liability.

TI warrants performance of its semiconductor products to the specifications applicable at the time of sale in accordance with TI's standard warranty. Testing and other quality control techniques are utilized to the extent TI deems necessary to support this warranty. Specific testing of all parameters of each device is not necessarily performed, except those mandated by government requirements.

CERTAIN APPLICATIONS USING SEMICONDUCTOR PRODUCTS MAY INVOLVE POTENTIAL RISKS OF DEATH, PERSONAL INJURY, OR SEVERE PROPERTY OR ENVIRONMENTAL DAMAGE ("CRITICAL APPLICATIONS"). TI SEMICONDUCTOR PRODUCTS ARE NOT DESIGNED, AUTHORIZED, OR WARRANTED TO BE SUITABLE FOR USE IN LIFE-SUPPORT DEVICES OR SYSTEMS OR OTHER CRITICAL APPLICATIONS. INCLUSION OF TI PRODUCTS IN SUCH APPLICATIONS IS UNDERSTOOD TO BE FULLY AT THE CUSTOMER'S RISK.

In order to minimize risks associated with the customer's applications, adequate design and operating safeguards must be provided by the customer to minimize inherent or procedural hazards.

TI assumes no liability for applications assistance or customer product design. TI does not warrant or represent that any license, either express or implied, is granted under any patent right, copyright, mask work right, or other intellectual property right of TI covering or relating to any combination, machine, or process in which such semiconductor products or services might be or are used. TI's publication of information regarding any third party's products or services does not constitute TI's approval, warranty or endorsement thereof.