

NEC

查询UPB8286供应商

NEC Electronics Inc.

捷多邦, 专业PCB打样工厂, 24小时加

急出货

μPB8286/87 8-BIT BUS TRANSCEIVERS

Description

The μPB8286 and μPB8287 are octal bus transceivers used for buffering microprocessor bus lines. Being bi-directional, they are ideal for buffering the data bus lines on 8- or 16-bit microprocessors. Each B output is capable of driving 32 mA low or 5 mA high.

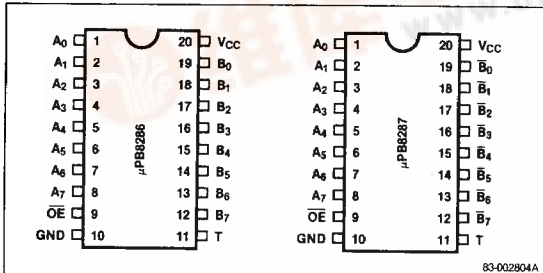
Features

- Data bus buffer driver for μCOM-8 (8080, 8085A, 780) and μCOM-16 (8086) families
- Low input load current – 0.2 mA max
- High output drive capability for driving system data bus
- Three-state outputs

Ordering Information

Part Number	Package Type	I/O Delay, Max
μPB8286C	20-pin plastic DIP	22 ns
μPB8287C	20-pin plastic DIP	30 ns

Pin Configurations



Pin Identification

No.	Symbol	Function
1-8	A ₀ -A ₇	Local data bus
9	\overline{OE}	Output enable
10	GND	Ground
11	T	Transmit
12-19	(μPB8286) B ₇ -B ₀ (μPB8287) $\overline{B_7}$ - $\overline{B_0}$	System data bus
20	V _{CC}	Power supply

Pin Functions

\overline{OE} (Output Enable)

This active low input control signal enables the output drivers selected by T.

T (Transmit)

This input controls the direction of data through the transceivers. When high, data is transferred from the A₀-A₇ inputs to the B₀-B₇ outputs. When low, data is transferred from the B₀-B₇ inputs to the A₀-A₇ outputs.

A₀-A₇ (Local Data Bus)

A₀-A₇ are bidirectional drivers that, depending on the state of the transmit pin, accept data from or transfer data to the processor's local bus.

B₀-B₇ (System Data Bus)

B₀-B₇ are bidirectional drivers that, depending on the state of the transmit pin, accept data from or transfer data to the system bus.

GND (Ground)

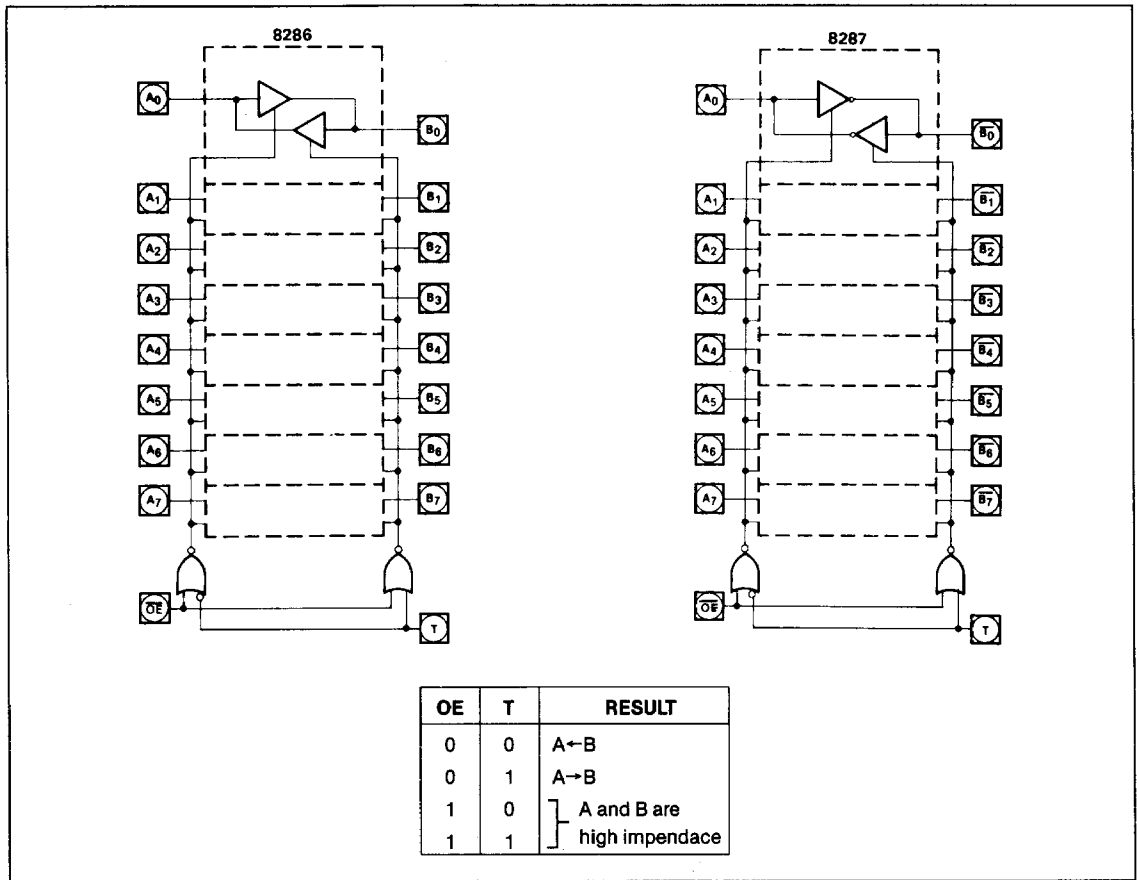
This is the ground.

V_{CC} (Power Supply)

This is the +5 V power supply.



Block Diagram



Functional Description

MOS microprocessors like the 8080/8085A/8086 are generally capable of driving a single TTL load. This also applies to MOS memory devices. While sufficient for minimum type small systems on a single PC board, it is usually necessary to buffer the microprocessor and memory signals when a system is expanded or signals go to other PC boards.

These octal bus transceivers are designed to do the necessary buffering.

Bidirectional Driver

Each buffered line of the octal driver consists of two separate three-state buffers. The B side of the driver is designed to drive 32 mA and interface the system side

of the bus to I/O, memory, etc. The A side is connected to the microprocessor.

Control Gating, \overline{OE} , T

The \overline{OE} (output enable) input is an active low signal used to enable the drivers selected by T on to the respective bus.

T is an input control signal used to select the direction of data through the transceivers. When T is high, data is transferred from the A₀-A₇ inputs to the B₀-B₇ outputs, and when low, data is transferred from B₀-B₇ to the A₀-A₇ outputs.

Absolute Maximum Ratings

T_A = 25°C

Power supply voltage, V _{CC}	-0.5 V to +7 V
Input voltage, V _I	-1.0 V to +5.5 V
Output voltage, V _O	-0.5 V to +7 V
Operating temperature, T _{OPT}	0°C to +70°C
Storage temperature, T _{STG}	-65°C to +150°C

Comment: Exposing the device to stresses above those listed in Absolute Maximum Ratings could cause permanent damage. The device is not meant to be operated under conditions outside the limits described in the operational sections of the specification. Exposure to absolute maximum rating conditions for extended periods may affect device reliability.

DC Characteristics

T_A = 0°C to +70°C, V_{CC} = +5 V ± 10%

Parameter	Symbol	Limits			Unit	Test Conditions
		Min	Typ	Max		
Input voltage low — A side	V _{IL}			+0.8	V	V _{CC} = 5.0 V, (Note 1)
				+0.9	V	V _{CC} = 5.0 V, (Note 1)
Input voltage high	V _{IH}		2		V	V _{CC} = 5.0 V, (Note 1), F = 1 MHz
Output voltage low — B outputs	V _{OL}			+0.45	V	I _{OL} = 32 mA
				+0.45	V	I _{OL} = 16 mA
Output voltage high — B outputs	V _{OH}	2.4			V	I _{OH} = -5 mA
			2.4		V	I _{OH} = -1 mA
Output voltage high — A outputs					V	I _{OH} = -1 mA
Input clamp voltage	V _C			-1	V	I _C = -5 mA
Input forward current	I _F			-0.2	μA	V _F = 0.45 V
Input reverse current	I _R			50	μA	V _R = 5.25 V
Power supply current	I _{CC}					
				130	mA	
				160	mA	
Output off current	I _{OFF}			I _F		V _{OFF} = 0.45 V
Output off current	I _{OFF}			I _R		V _{OFF} = 5.25 V

Note:

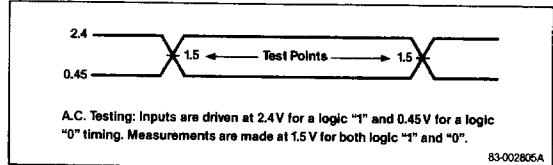
- (1) B outputs — I_{OL} = 32 mA, I_{OH} = -5 mA, C_L = 300 pF
 A outputs — I_{OL} = 16 mA, I_{OH} = -1 mA, C_L = 100 pF

AC Characteristics

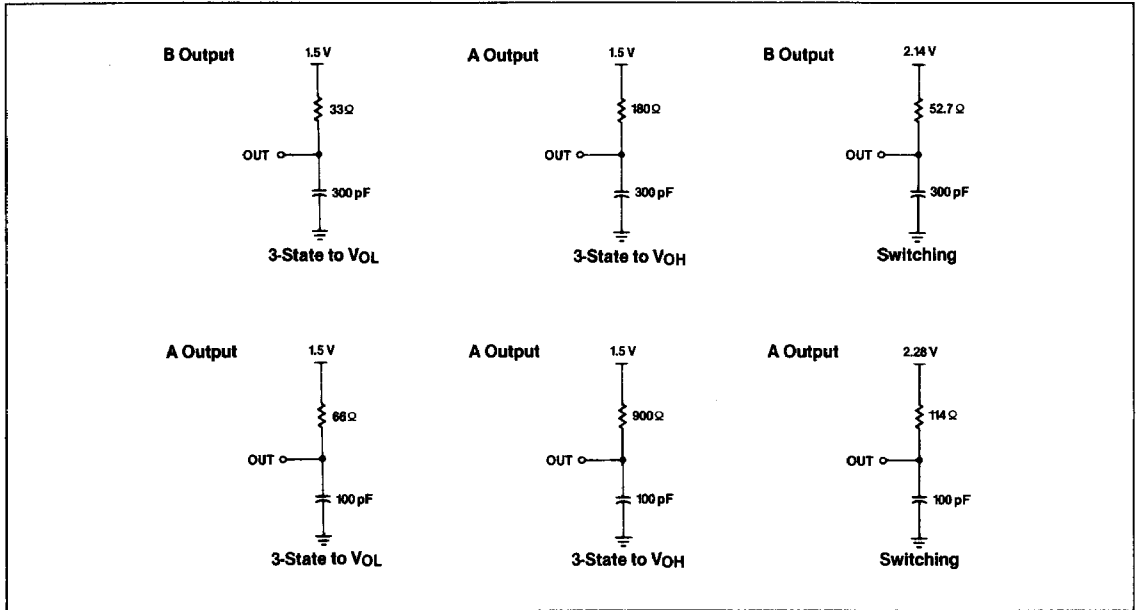
T_A = 0°C to +70°C, V_{CC} = 5 V ± 10%

Parameter	Symbol	Limits			Unit	Test Conditions
		Min	Typ	Max		
Input to output delay	t _{IQV}					
		Inverting	5		22	ns
		5		30	ns	
Transmit / receive hold time	t _{EHTV} / t _{EHOZ}				ns	
Transmit / receive setup	t _{VEL}	10			ns	
Output disable time	t _{EHOZ}	5		22	ns	
Output enable time	t _{ELOV}	10		30	ns	
I/O rise time	t _{ILIH} / t _{OLOH}			20	ns	
I/O fall time	t _{IHIL} / t _{OHOI}			12	ns	

AC Test Conditions



Test Load Circuits



Timing Waveform

