

# BIPOLAR ANALOG INTEGRATED CIRCUIT

## $\mu$ PC1335V

T-74-05-01

### AUDIO POWER AMPLIFIER

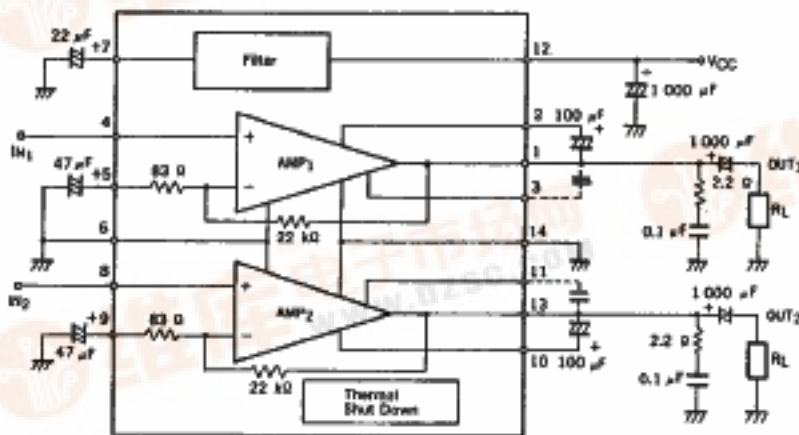
#### DESCRIPTION

The  $\mu$ PC1335V is a class B dual audio power amplifier designed for a music center and a radio cassette, and is encapsulated in a new 14 Pins vertical dual in line plastic package.

#### FEATURES

- High output power.
  - 20 W (TYP.) @  $V_{CC} = 18\text{ V}$ ,  $R_L = 8\ \Omega$  (BTL)
  - 5.5 W/ch (TYP.) @  $V_{CC} = 18\text{ V}$ ,  $R_L = 8\ \Omega$
  - 7 W/ch (TYP.) @  $V_{CC} = 15\text{ V}$ ,  $R_L = 4\ \Omega$
  - 5.7 W/ch (TYP.) @  $V_{CC} = 12\text{ V}$ ,  $R_L = 3\ \Omega$
  - 4.6 W/ch (TYP.) @  $V_{CC} = 12\text{ V}$ ,  $R_L = 4\ \Omega$
- Wide operating voltage range.  $V_{CC} = 6\text{ to }20\text{ V}$
- Low quiescent current.  $I_{CC} = 23\text{ mA}$  (TYP.) @  $V_{CC} = 15\text{ V}$
- Low noise.  $N_L = 0.25\text{ mV}_{r.m.s.}$  (TYP.)
- High supply voltage rejection. SVR = 55 dB (TYP.)
- No shock noise at power supply switch on and off.
- Soft clipping wave form.
- Thermal shut down circuit is built in.
- Low thermal resistance:  $R_{\theta(j-c)} = 3^\circ\text{C/W}$
- Very low number of external components, very simple mounting system with no electrical isolation between the package and the heat sink. (one screw only)

#### BLOCK DIAGRAM



CONNECTION DIAGRAM

T-74-05-01

PIN NO.	CONNECTION
1	Output 1
2	Boot Strap 1
3	Compensation 1
4	Input 1
5	NFB 1
6	GND (Input)
7	Filter
8	Input 2
9	NFB 2
10	Boot Strap 2
11	Compensation 2
12	V <sub>CC</sub>
13	Output 2
14	GND (Output)

ABSOLUTE MAXIMUM RATINGS (T<sub>a</sub> = 25 °C)

Supply Voltage (No Signal)	V <sub>CC1</sub>	28	V
Supply Voltage (Operating)	V <sub>CC2</sub>	25	V
Power Dissipation	P <sub>D</sub>	14*	W
Operating Temperature	T <sub>opt</sub>	-20 to +70	°C
Storage Temperature	T <sub>stg</sub>	-40 to +150	°C

\* 100 x 100 x 2 mm Al heat sink

5

RECOMMENDED OPERATING CONDITIONS (T<sub>a</sub> = 25 °C)

ITEM	SYMBOL	MIN.	TYP.	MAX.	UNIT
Supply Voltage	V <sub>CC</sub>	8	12, 15	20	V
Load Impedance (DUAL)	R <sub>L</sub>	3	4	8	Ω
Load Impedance (BTL)	R <sub>L</sub>	4		8	Ω
Voltage Gain	A <sub>v</sub>	35	48		dB

7-74-05-01

ELECTRICAL CHARACTERISTICS ( $V_{CC} = 15\text{ V}$ ,  $R_L = 4\ \Omega$ ,  $f = 1\text{ kHz}$ ,  $T_A = 25\ ^\circ\text{C}$ , 100 x 100 x 2 mm Al Panel Heat Sink)

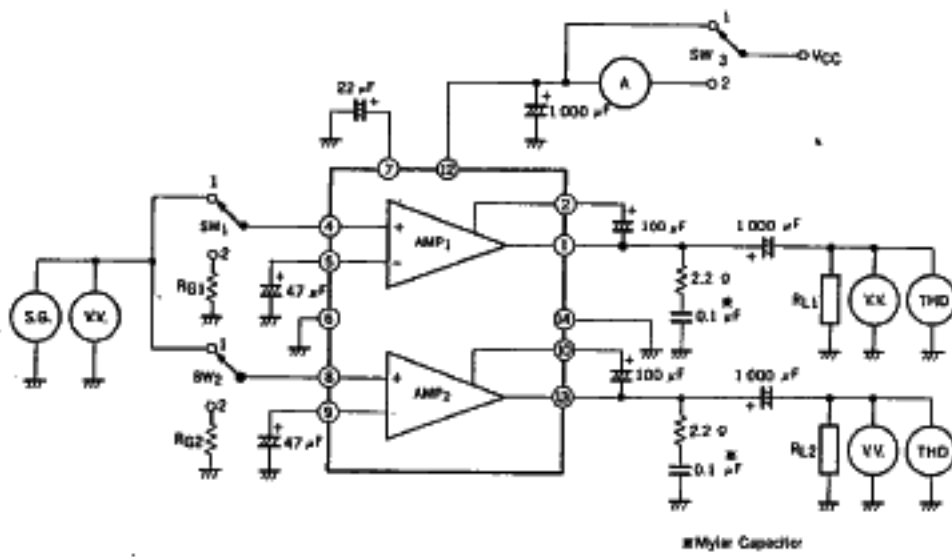
CHARACTERISTIC	SYMBOL	MIN.	TYP.	MAX.	UNIT	TEST CONDITION
Circuit Current	$I_{CC}$		23	38	mA	No Signal
Voltage Gain	$A_V$	46	46	50	dB	
Output Power	$P_O$		4.6		W	THD = 10 % $V_{CC} = 12\text{ V}$ , $R_L = 4\ \Omega$
			5.7		W	THD = 10 % $V_{CC} = 12\text{ V}$ , $R_L = 3\ \Omega$
		6	7		W	THD = 10 % $V_{CC} = 15\text{ V}$ , $R_L = 4\ \Omega$
			5.5		W	THD = 10 % $V_{CC} = 18\text{ V}$ , $R_L = 8\ \Omega$
			20		W	THD = 10 %, STL $V_{CC} = 18\text{ V}$ , $R_L = 8\ \Omega$
Total Harmonic Distortion	THD		0.2	1	%	$P_O = 1\text{ W}$
Output Noise Voltage	NL		0.25	0.5	mV <sub>r.m.s.</sub>	DIN AUDIO $R_G = 0$
Cross Talk	C.T.	45	55		dB	$P_O = 2\text{ W}$ other Ch. $R_G = 0$
Channel Balance	Ch. B.	-1	0	+1	dB	$P_O = 4\text{ W}$
Ripple Rejection	SVR	45	55		dB	$R_G = 0$ , $f = 100\text{ Hz}$ $V = 0.3\text{ V}_{r.m.s.}$
Input Impedance	$Z_{in}$	20	30		k $\Omega$	

SWITCH POSITION

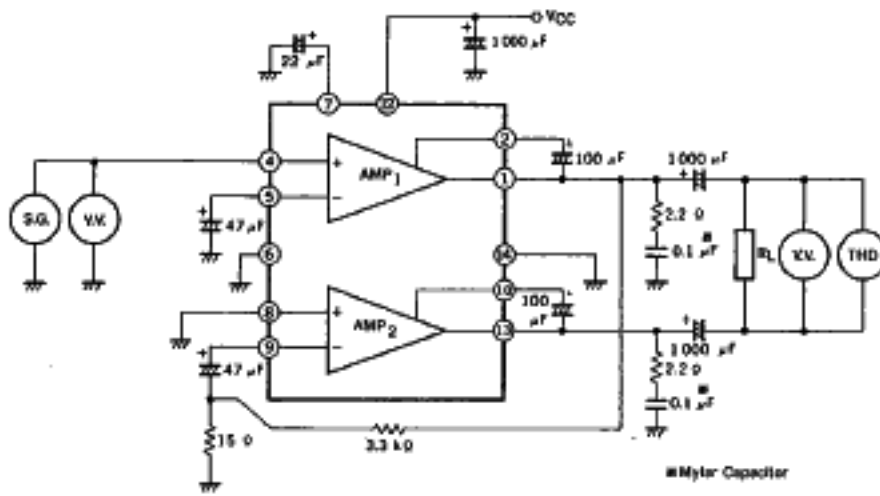
ITEM	SYMBOL	SW <sub>1</sub>	SW <sub>2</sub>	SW <sub>3</sub>
(DUAL OPERATION)				
Circuit Current	$I_{CC}$	2	2	2
Voltage Gain	$A_V$	1	1	1
Output Power	$P_O$	1	1	1
Total Harmonic Distortion	THD	1	1	1
Output Noise Voltage	NL	2	2	1
Cross Talk	C.T.	1/2	2/1	1
Channel Balance	Ch. B.	1	1	1
Supply Voltage Rejection	SVR	2	2	1
(STL OPERATION)				
Output Power	$P_O$	-	-	-

**TEST CIRCUIT  
(DUAL OPERATION)**

T-74-05-01



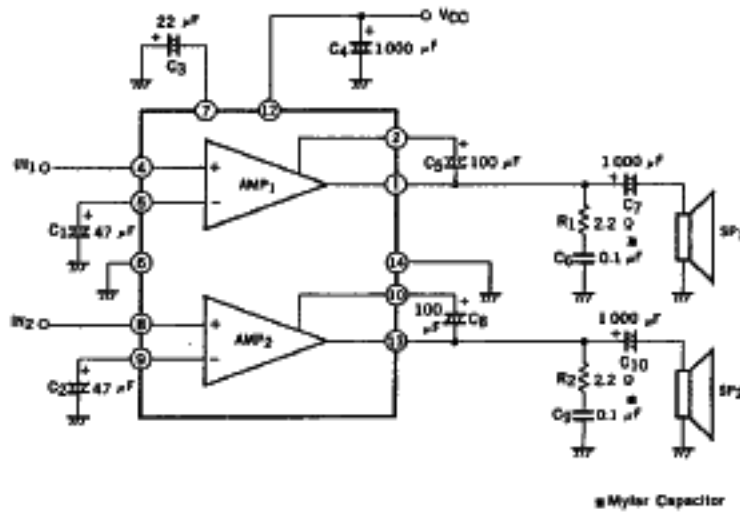
**(BTL OPERATION)**



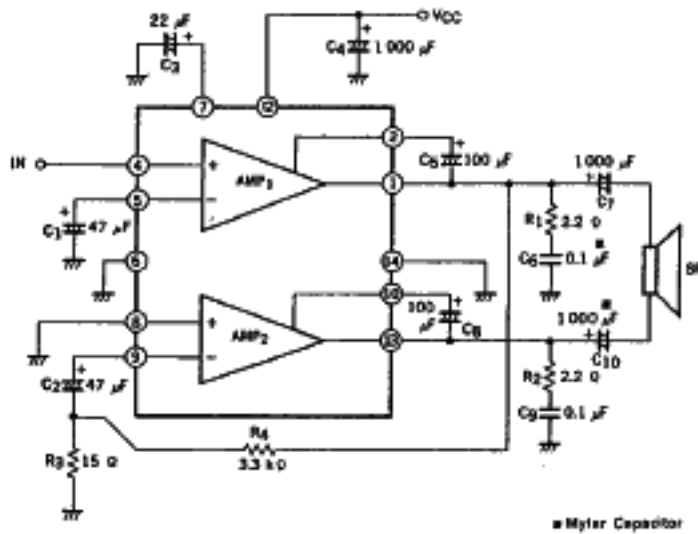
5

TYPICAL APPLICATION  
(DUAL OPERATION)

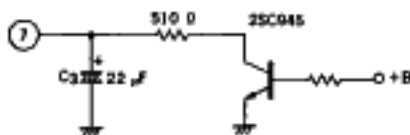
T-74-05-01



(BTL OPERATION)

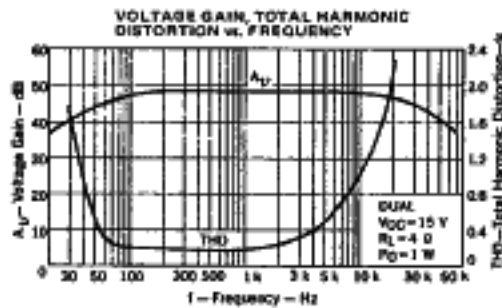
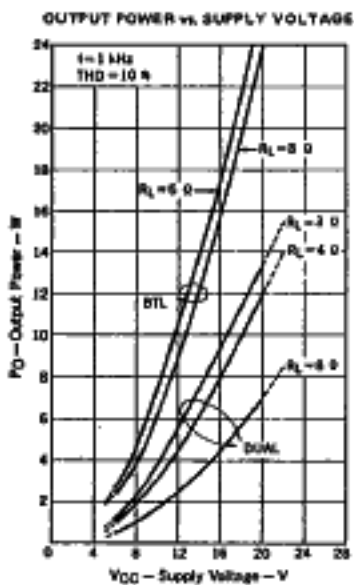
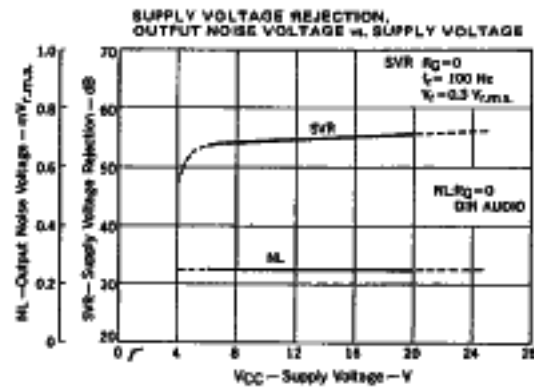
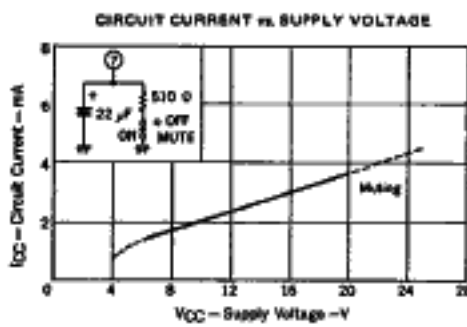
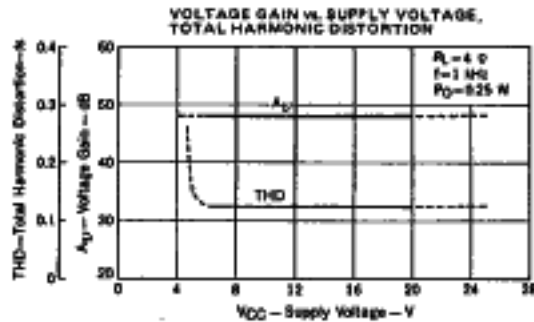
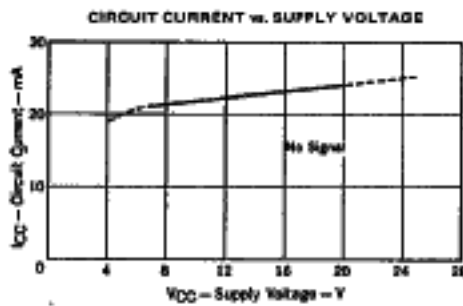


(MUTING CIRCUIT)



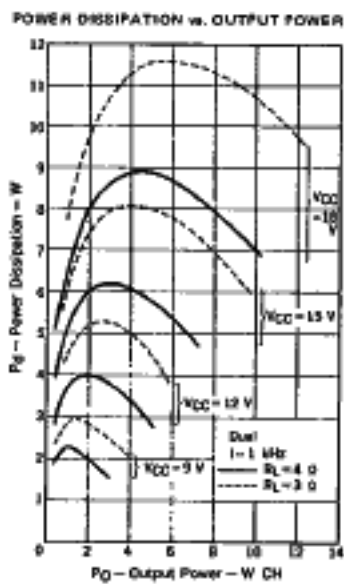
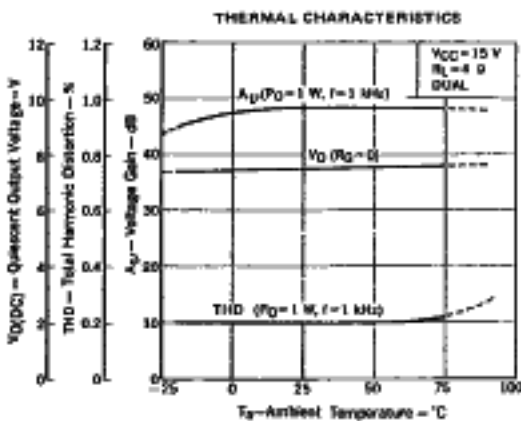
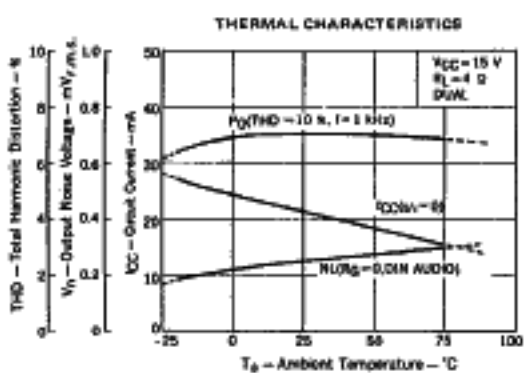
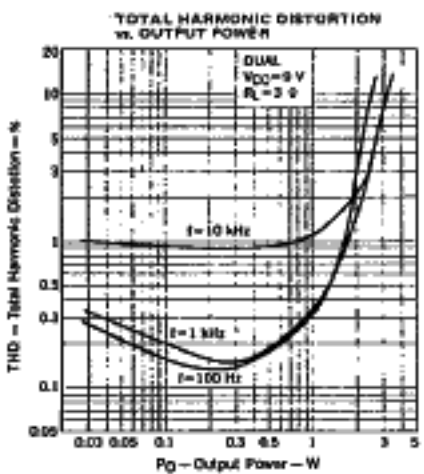
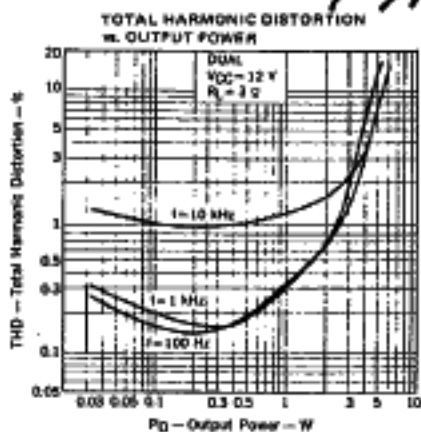
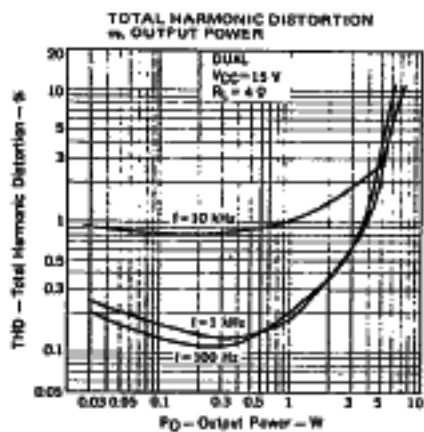
TYPICAL CHARACTERISTICS ( $T_c = 25^\circ\text{C}$ )

T-74-05-01

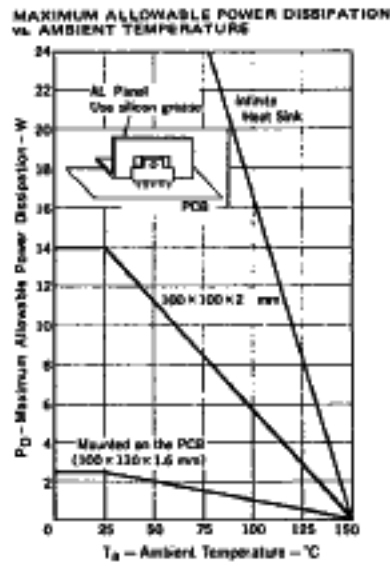
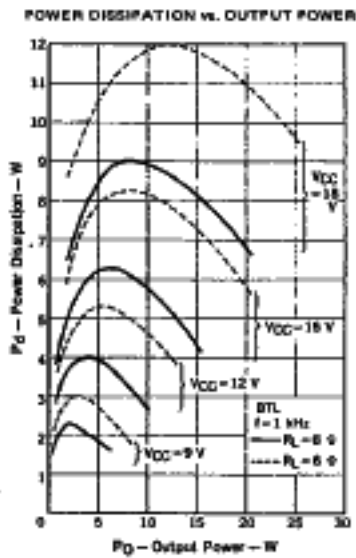
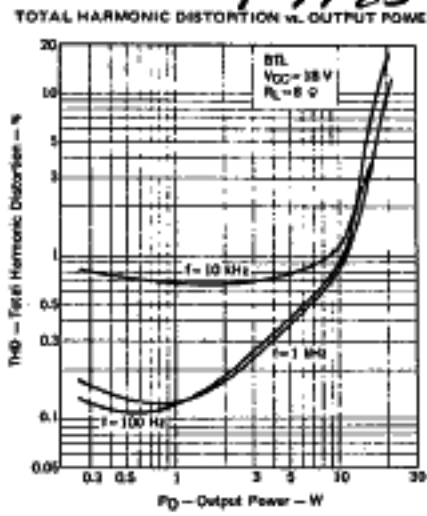
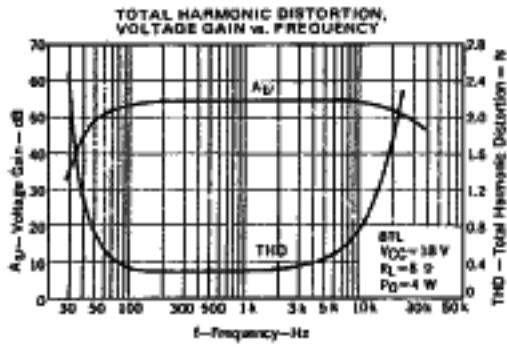


5

T-74-05-01



T-74-05-01



5



NOTES FOR USE

T-74-05-01

- (1) Adding a capacitor for phase compensation between Pin 1 (13) to Pin 3 (11), its value less than 47 pF is recommended, and the value of  $R_1$  ( $R_2$ ) and of  $C_G$  ( $C_G$ ) have to be chosen as follows.

$$R_1 (R_2) = 1 \Omega$$

$$C_G (C_G) = 0.15 \mu\text{F}$$

- (2) At muting by shortage of Pin 7 to GND, ripple rejection is determined by following equation.

$$\text{SVR} = \left| 20 \log \frac{R_L}{200 + R_L} \right|$$

- (3) Keep the  $\mu\text{PC1335V}$ 's heat sink in shortage to GND or floating condition.  
(4) Direct shortage between Pin 1 (13) to  $V_{CC}$  or GND will damage the  $\mu\text{PC1335V}$ .  
(5) Keep some margin at design of external heat sink size.  
(6) Use silicon grease and keep the torque of screw driver less than 10 kg·cm in attachment of a external heat sink.

14 PIN V-DIP (Unit: mm)

T-74-05-01

