

SURFACE MOUNT PIN DIODE

UPP9401

POWERMITE™ Package Commercial Two-Way Radio Antenna Switch Diode

FEATURES

- High Power Surface Mount Package
- Specified Low Distortion
- Low Bias Current Requirements
- High Zero Bias Impedance
- Compatible with Automatic Insertion Equipment
- Very Low Inductance and Capacitance
- Full Metallic Bottom Eliminates Flux Entrapment
- Integral Heat Sink/Locking Tabs

DESCRIPTION

With high isolation, low loss, and low distortion characteristics, this Microsemi Powermite PIN diode is perfect for two-way radio antenna switch applications where size and power handling capability are critical.

Its advantages also include the low forward bias resistance and high zero bias impedance that are essential for low loss, high isolation and wide bandwidth antenna switch performance.

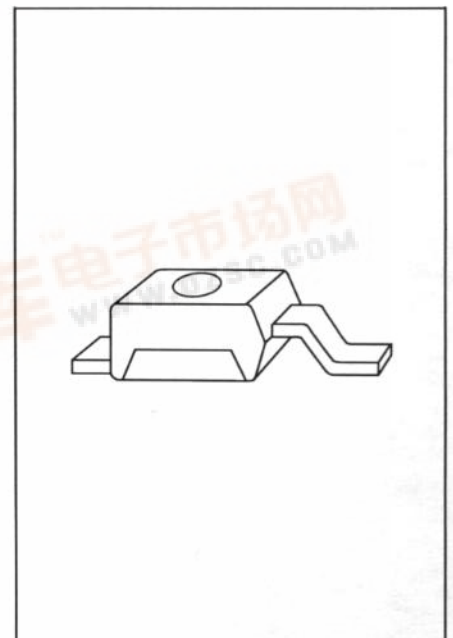
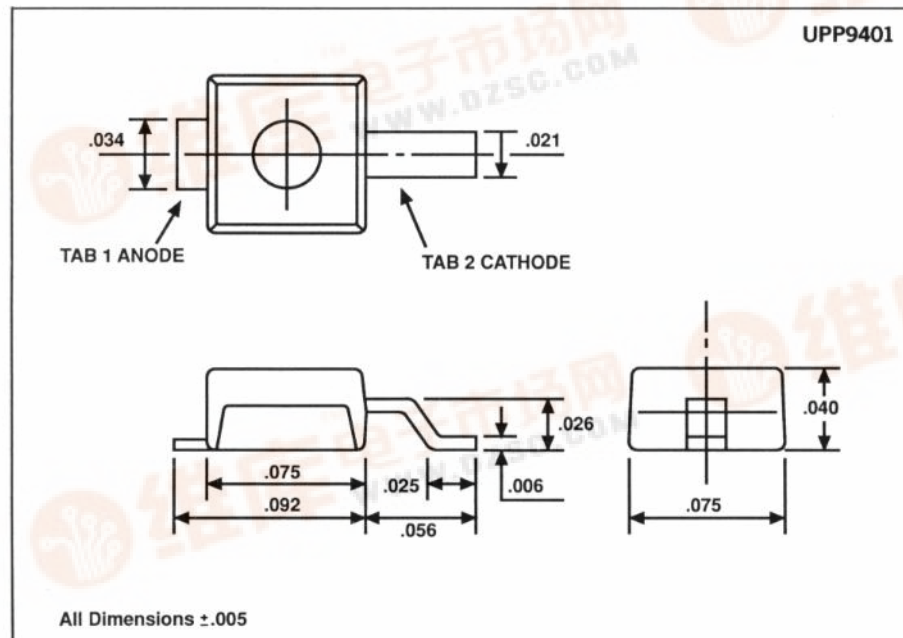
The Powermite package's full metallic bottom eliminates the possibility of solder flux entrapment during assembly, and its unique locking tab acts as an integral heat sink. Its innovative design makes this device ideal for use with automatic insertion equipment.

ABSOLUTE MAXIMUM RATINGS

Maximum Reverse Voltage.....	50V
Average Power Dissipation @ $T_{TAB 1} = 75^{\circ}C$	2.5W*
Thermal Resistance Junction to Tab.....	30°C/W
Thermal Resistance Junction to Bottom.....	10°C/W
Operating and Storage Temperature.....	-55°C to +150°C

*WHEN MOUNTED ON A PC BOARD WITH 2 OZ. COPPER.

MECHANICAL SPECIFICATIONS



ELECTRICAL CHARACTERISTICS ($T_A = 25^\circ\text{C}$ unless noted)

TEST	CONDITIONS	MIN	TYP	MAX
Series Resistance R_S , Ohms	$F = 100\text{MHz}$ $I_F = 50\text{mA}$	—	0.75	1.0
Capacitance C_T , pF	$F = 100\text{MHz}$ $V_R = 0\text{V}$	—	0.75	1.0
Parallel Resistance R_P , Ohms	$F = 100\text{MHz}$ $V = 0\text{V}$	5K	10K	—
Carrier Lifetime τ , μs	$I_F = 10\text{mA}$	1.0	2.0	—
Transmit Harmonic Distortion, -dB	$P_{in} = 50\text{W}$ $F = 50\text{MHz}$ $I_F = 50\text{mA}$	80	—	—
Receive 3rd Order Harmonic Distortion, -dB	$F = 100\text{MHz}$ $V = 0\text{V}$ $F_A = 50\text{MHz}$ $F_B = 51\text{MHz}$	60	—	—
Voltage Rating V_R , Volts	$I_R = 10\ \mu\text{A}$	50	—	—
Forward Voltage V_F , Volts	$I_F = 50\text{mA}$	—	—	1.0

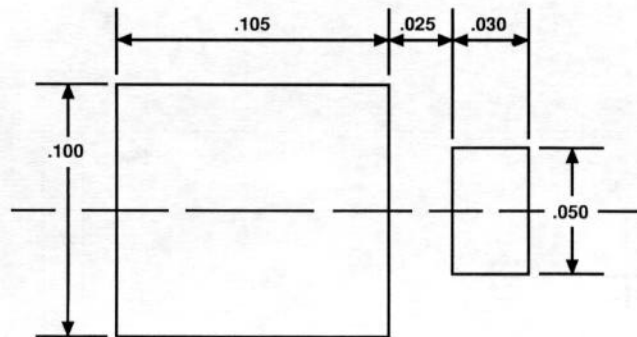


Figure 1. Suggested Mounting Pad Dimensions